



US00D417611S

United States Patent [19]
van de Lande

[11] **Patent Number: Des. 417,611**

[45] **Date of Patent: ** Dec. 14, 1999**

[54] **FASTENER FOR PIPES AND TUBES INCLUDING SUPPORT**

4,601,447 7/1986 McFarland 248/68.1
4,618,114 10/1986 McFarland 248/74.2

[75] Inventor: **Theodorus G. A. van de Lande**,
Raamsdonksveer, Netherlands

Primary Examiner—B.J. Bullock
Attorney, Agent, or Firm—Michael A. Lechter; James H. Phillips; Squire, Sanders & Dempsey L.L.P.

[73] Assignee: **Van de Lande B.V.**, Netherlands

[57] **CLAIM**

[**] Term: **14 Years**

The ornamental design for fastener for pipes and tubes including support, as shown and described.

[21] Appl. No.: **29/074,834**

[22] Filed: **Aug. 8, 1997**

[51] **LOC (6) Cl.** **08-08**

[52] **U.S. Cl.** **D8/395; D8/356; D8/396**

[58] **Field of Search** D8/356, 395, 396,
D8/394; D23/262; 285/420; 248/68.1, 220.21,
49, 71, 74.1, 74.2

DESCRIPTION

FIG. 1 is a perspective view of my design comprising coupled upper and lower elements;
FIG. 2 is a front view of my design, the broken line showing being for illustrative purposes only and forming no part of the claimed design;
FIG. 3 is a rear view of my design;
FIG. 4 is a top view of my design;
FIG. 5 is a bottom view of my design;
FIG. 6 is a right side view of my design; and,
FIG. 7 is a left side view of my design.

[56] **References Cited**

U.S. PATENT DOCUMENTS

3,523,667 8/1970 Guerrero .
3,856,246 12/1974 Sinko .
3,964,707 6/1976 Lewis 248/49

1 Claim, 1 Drawing Sheet

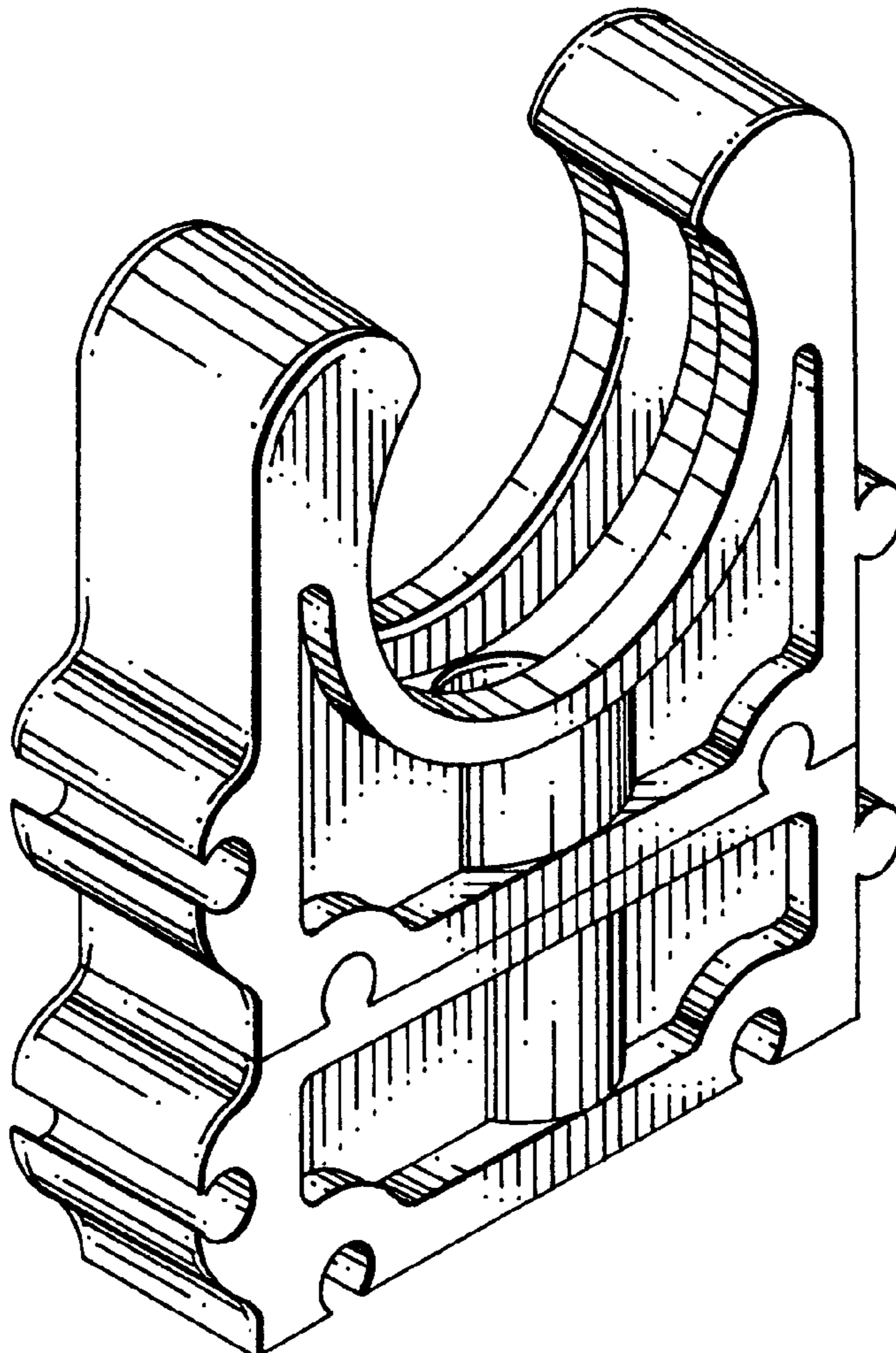


FIG. 1

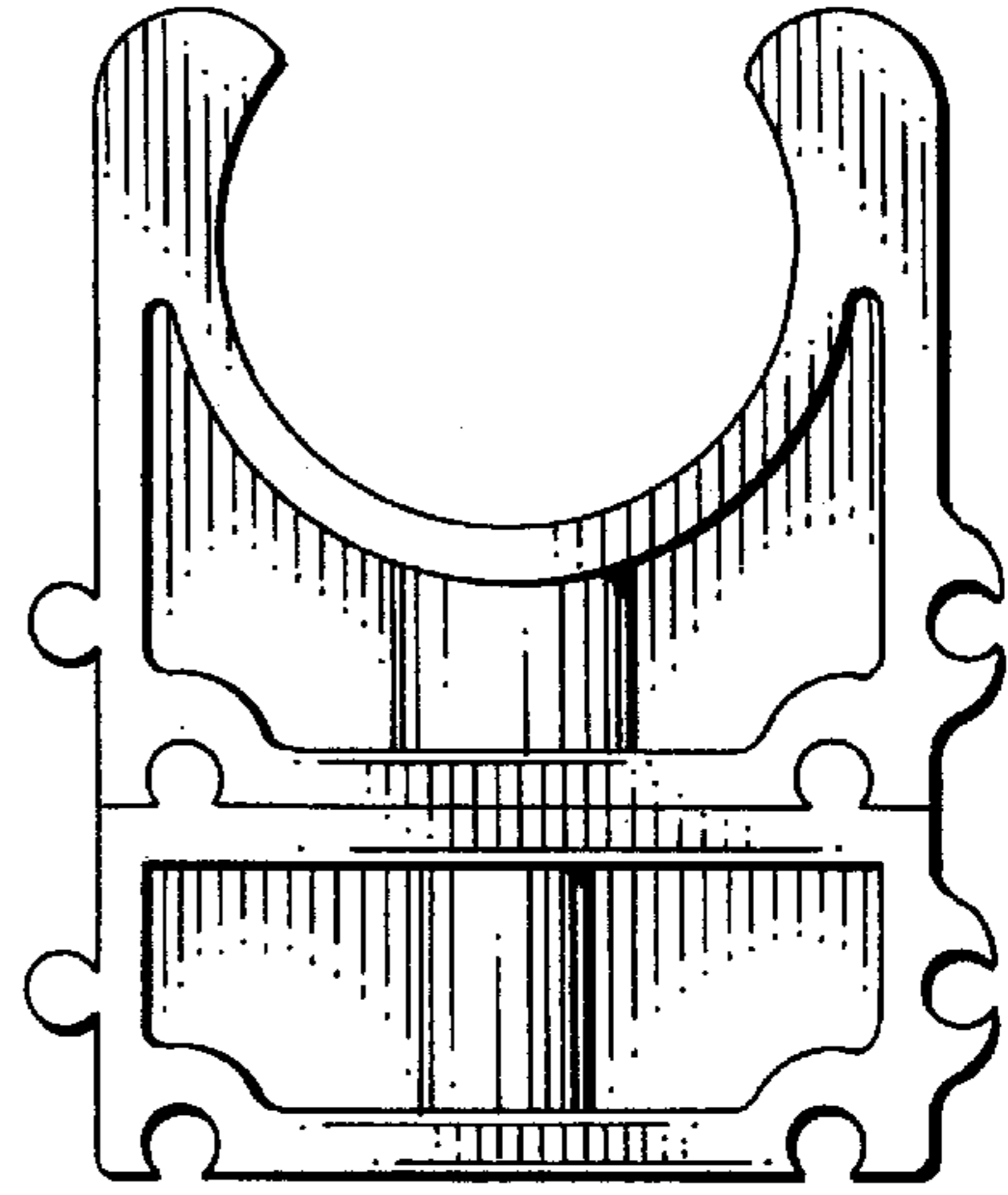
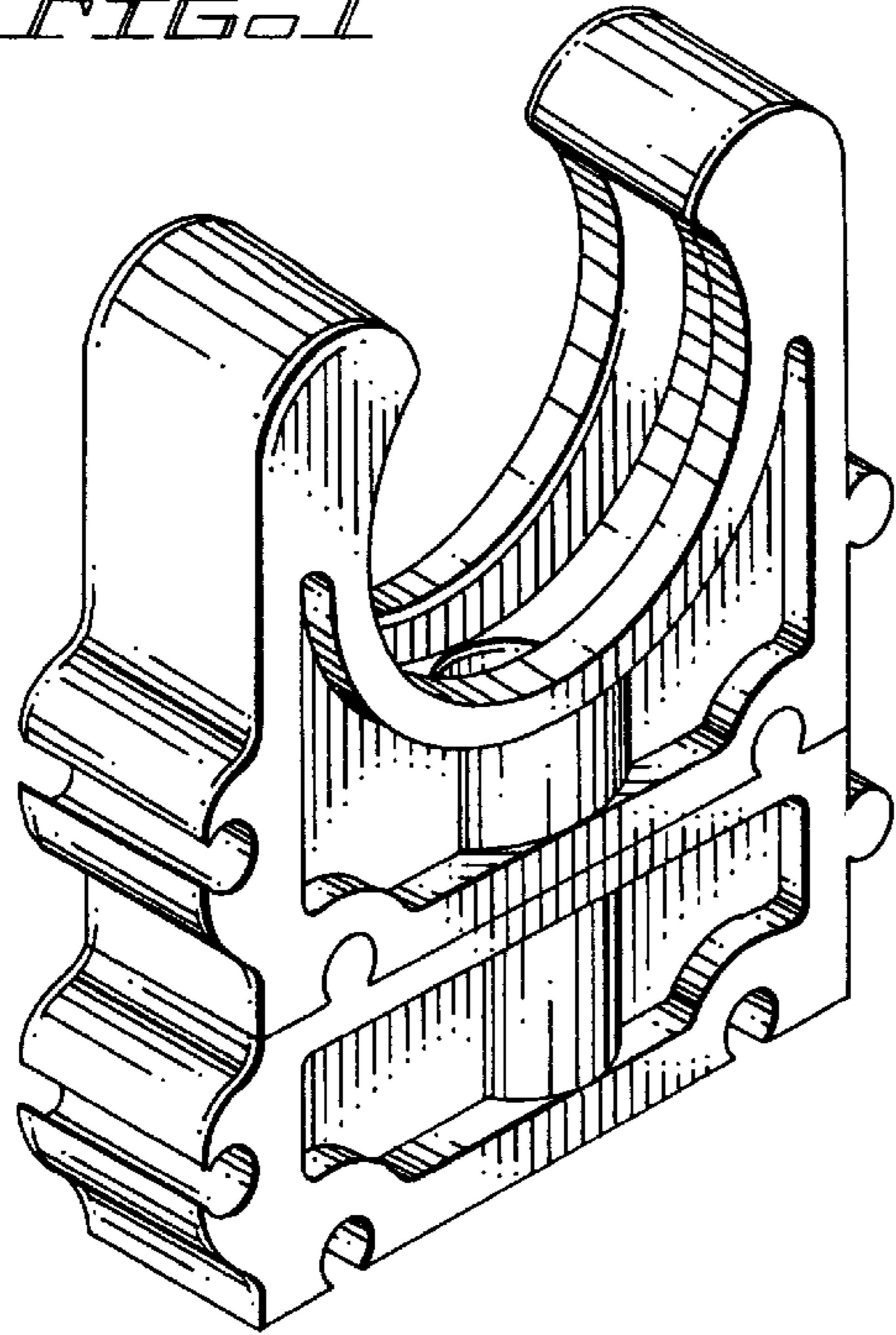


FIG. 3

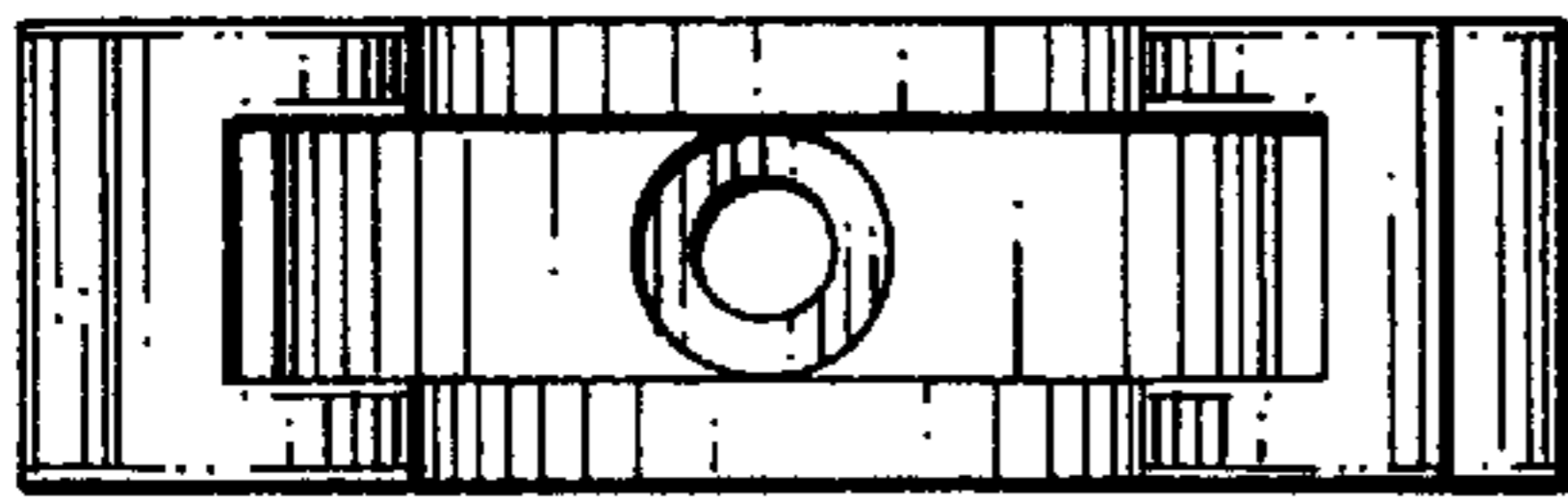


FIG. 4

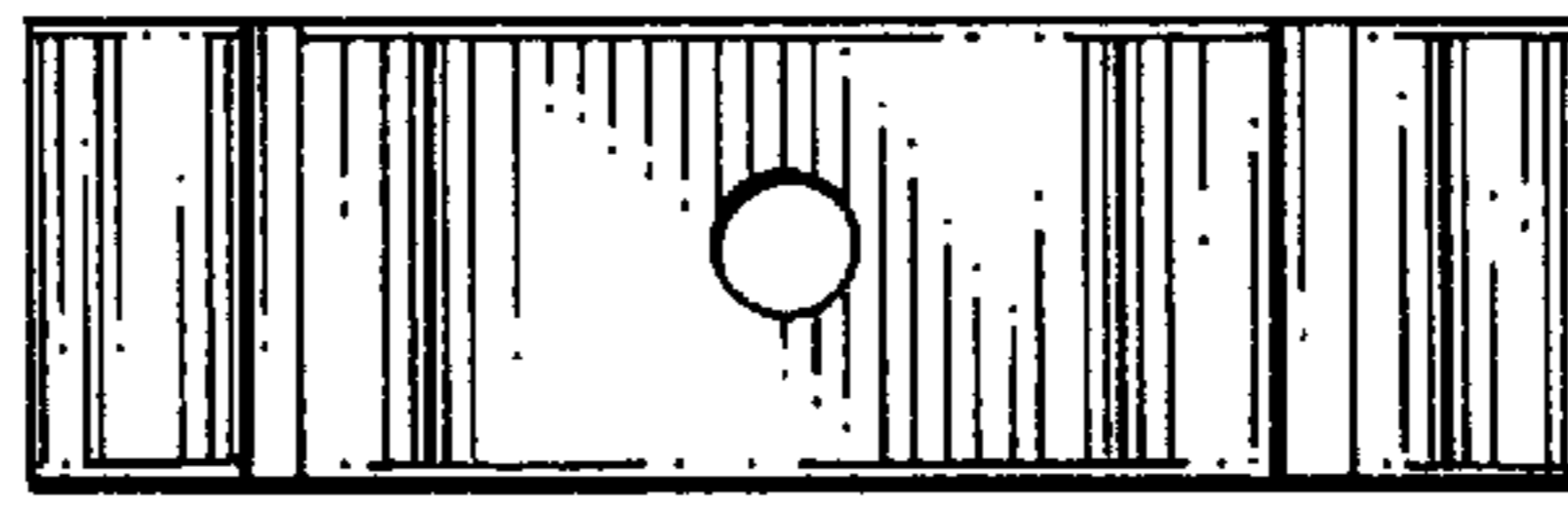


FIG. 5

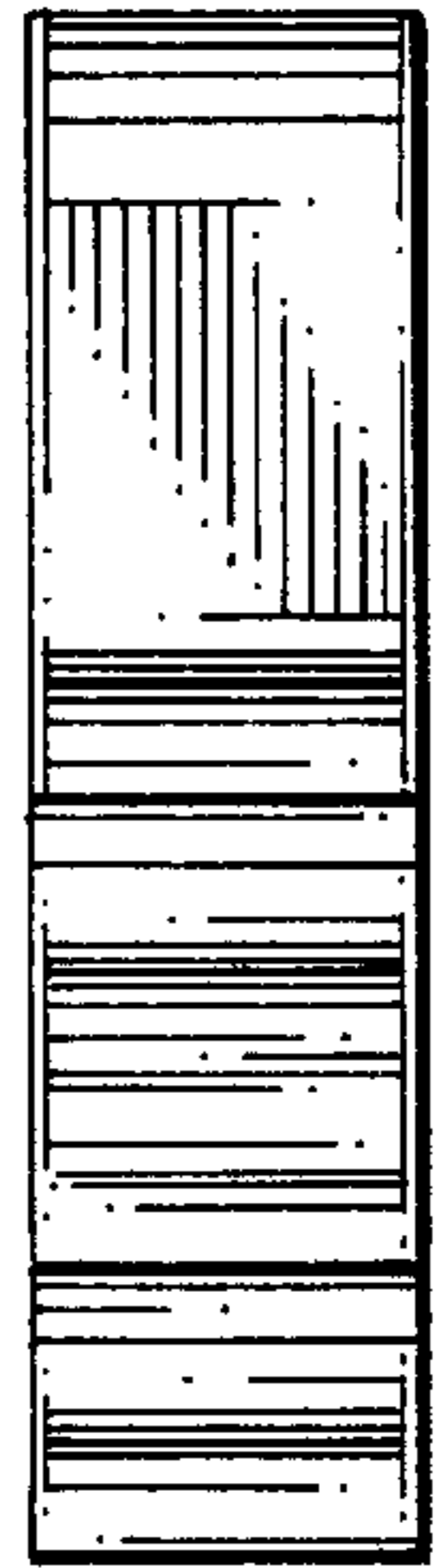


FIG. 6

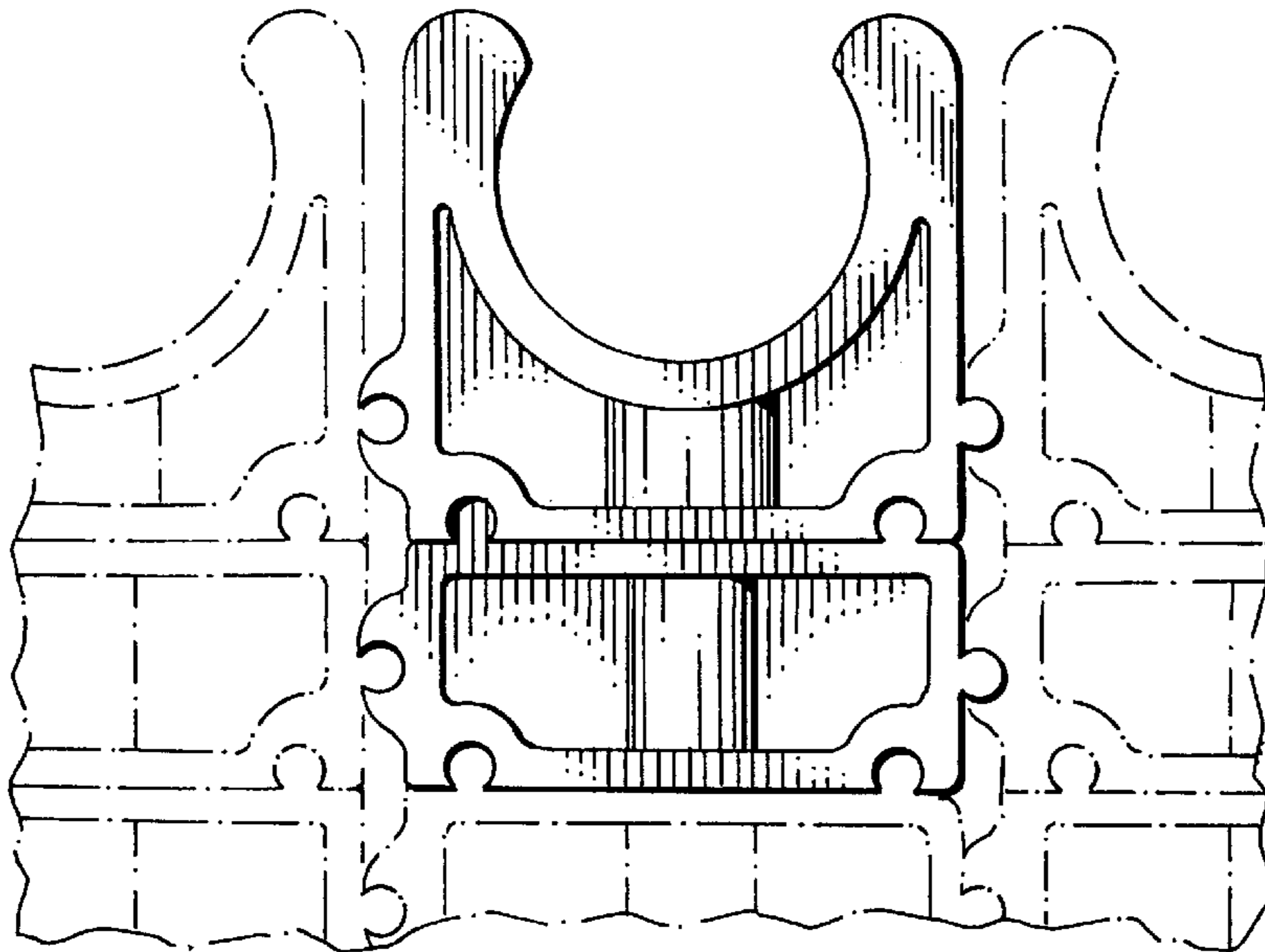


FIG. 2

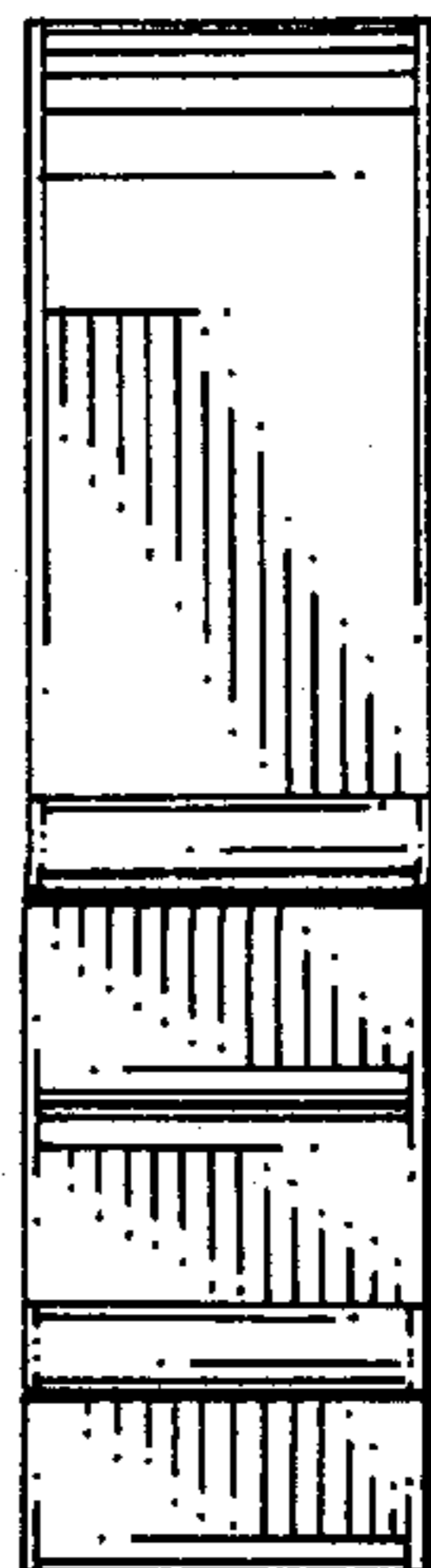


FIG. 7