



US00D417608S

United States Patent [19]
Martin

[11] **Patent Number: Des. 417,608**

[45] **Date of Patent: ** Dec. 14, 1999**

[54] **CLIP FOR SUPPORTING A COMPACT DISK AGAINST A VERTICAL SURFACE**

Attorney, Agent, or Firm—Christensen O'Connor Johnson & Kindness PLLC

[76] Inventor: **Robert B. Martin**, 3711 27th Pl. W., Apt. 402, Seattle, Wash. 98199

[57] **CLAIM**

[**] Term: **14 Years**

I claim the ornamental design for a clip for supporting a compact disk against a vertical surface, as shown and described.

[21] Appl. No.: **29/096,465**

DESCRIPTION

[22] Filed: **Nov. 13, 1998**

[51] **LOC (6) Cl.** **08-05**

[52] **U.S. Cl.** **D8/373**

[58] **Field of Search** D8/373, 380; 248/214, 248/215, 220.2, 222.2, 225.21, 225.11, 300; D6/553, 559

FIG. 1 is a bottom perspective view of a clip for supporting a compact disk against a vertical surface with the broken line showing of a vertical structure being for illustrative purposes only and forming no part of the claimed design;

FIG. 2 is an enlarged front view thereof;

[56] **References Cited**

U.S. PATENT DOCUMENTS

D. 366,207 1/1996 Thompson D8/373
5,582,376 12/1996 Thompson 248/214

FIG. 3 is a rear view thereof;

FIG. 4 is a left side view thereof;

FIG. 5 is a right side view thereof;

FIG. 6 is a bottom view thereof; and,

FIG. 7 is a top view thereof.

OTHER PUBLICATIONS

Outwater Plastics Catalog, p. 274 clip for shelves located in middle of page, Jul. 1983.

Primary Examiner—Holly Baynham

1 Claim, 2 Drawing Sheets

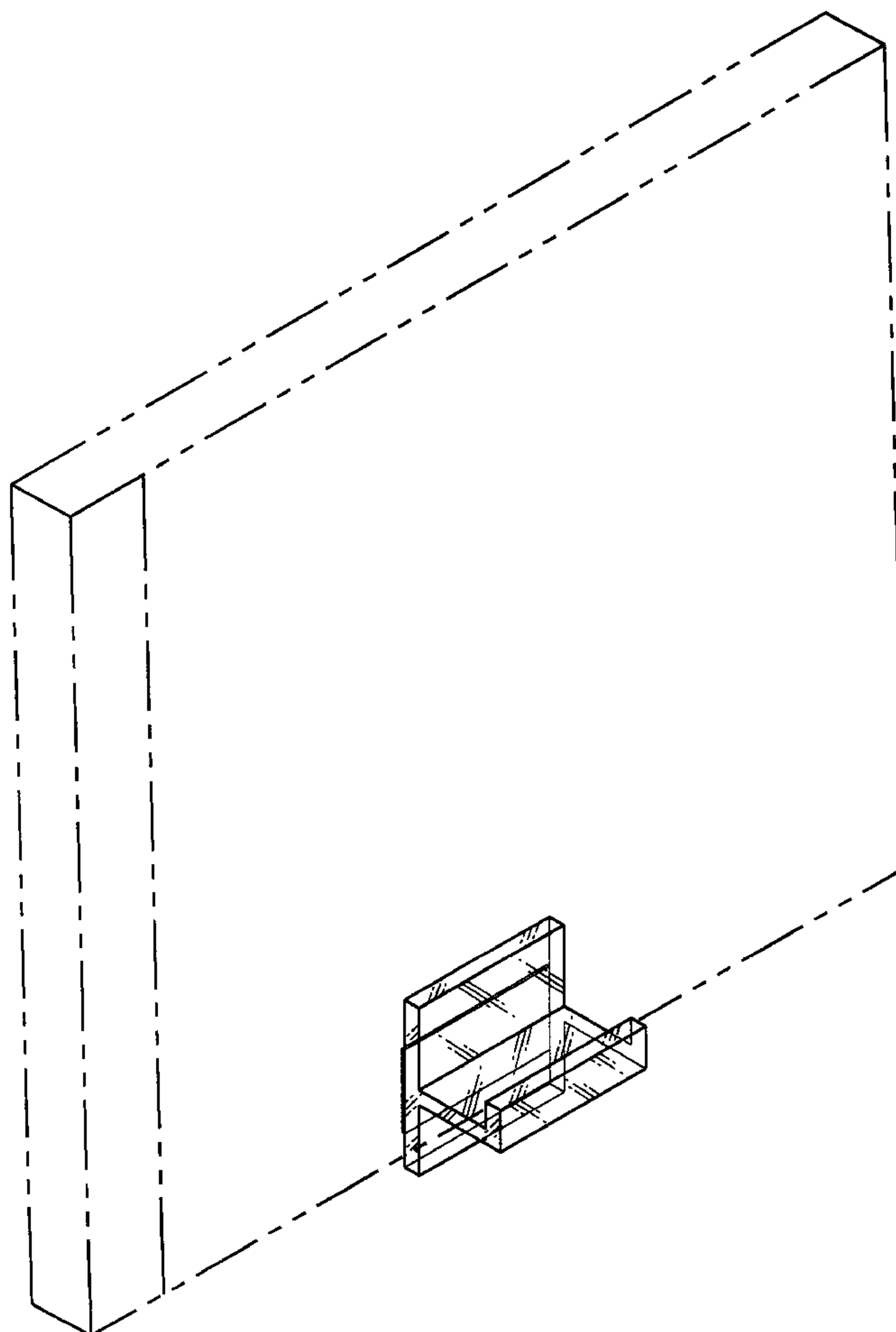


FIG. 1

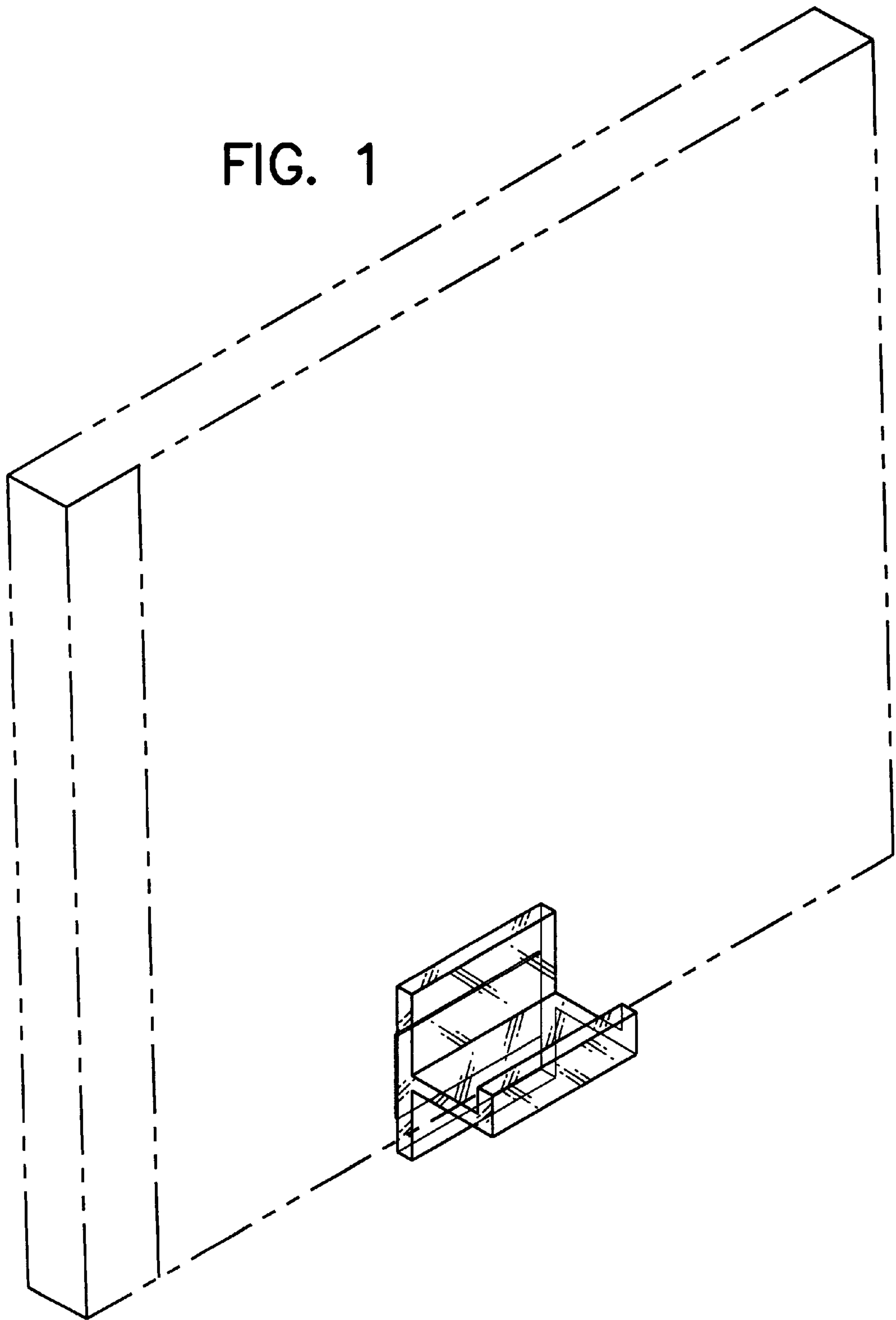


FIG. 2

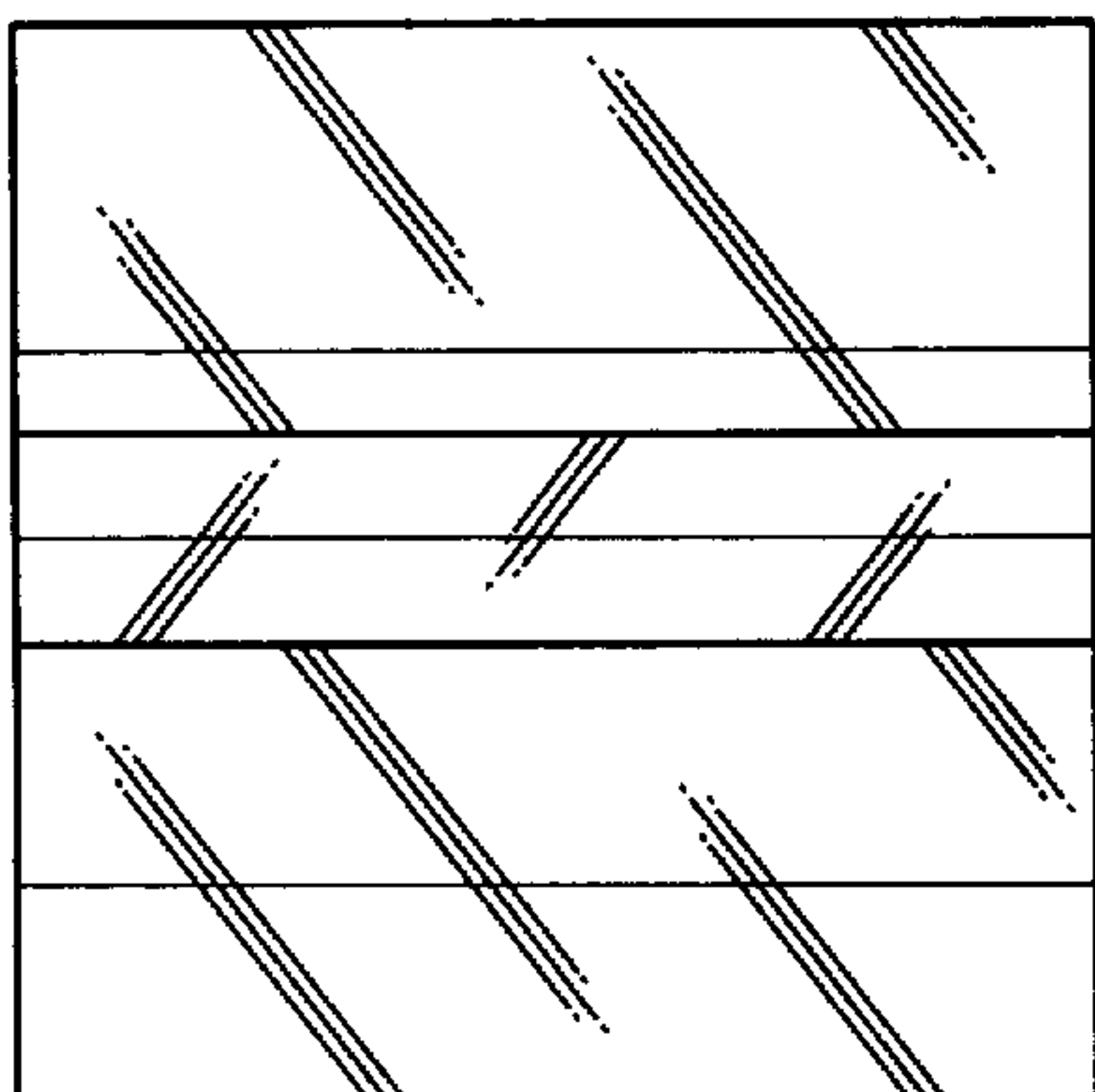


FIG. 3

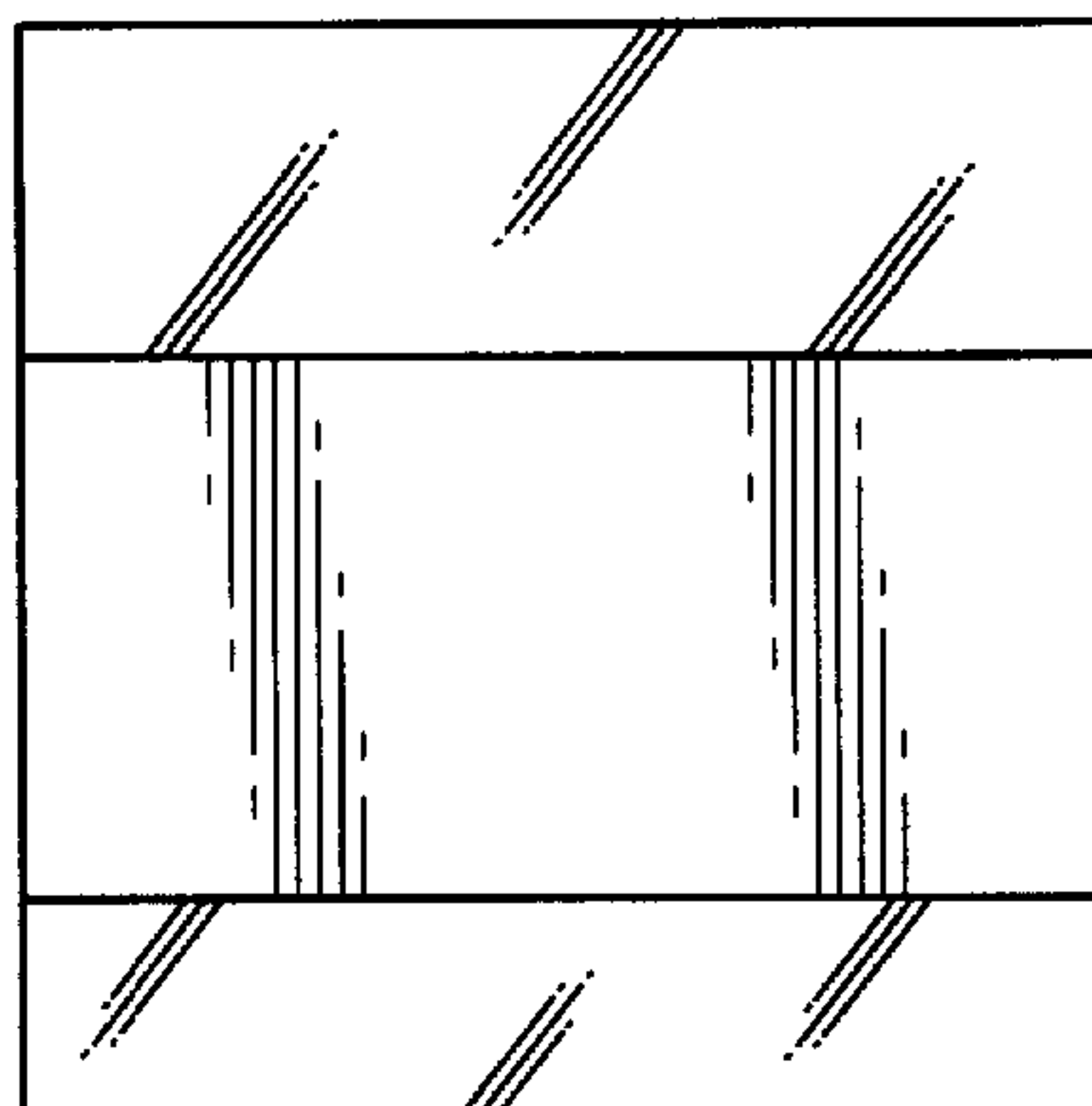


FIG. 4

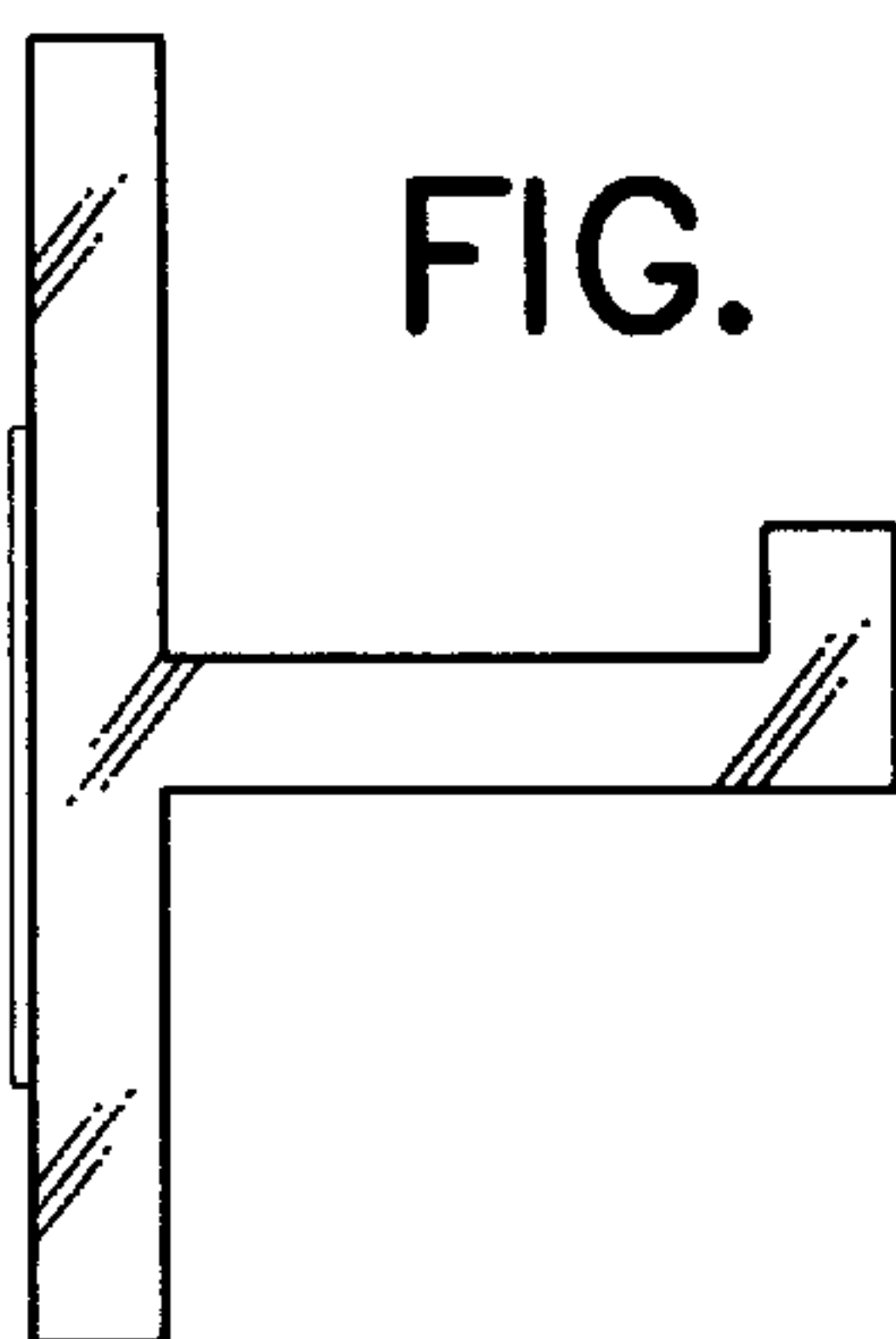


FIG. 5

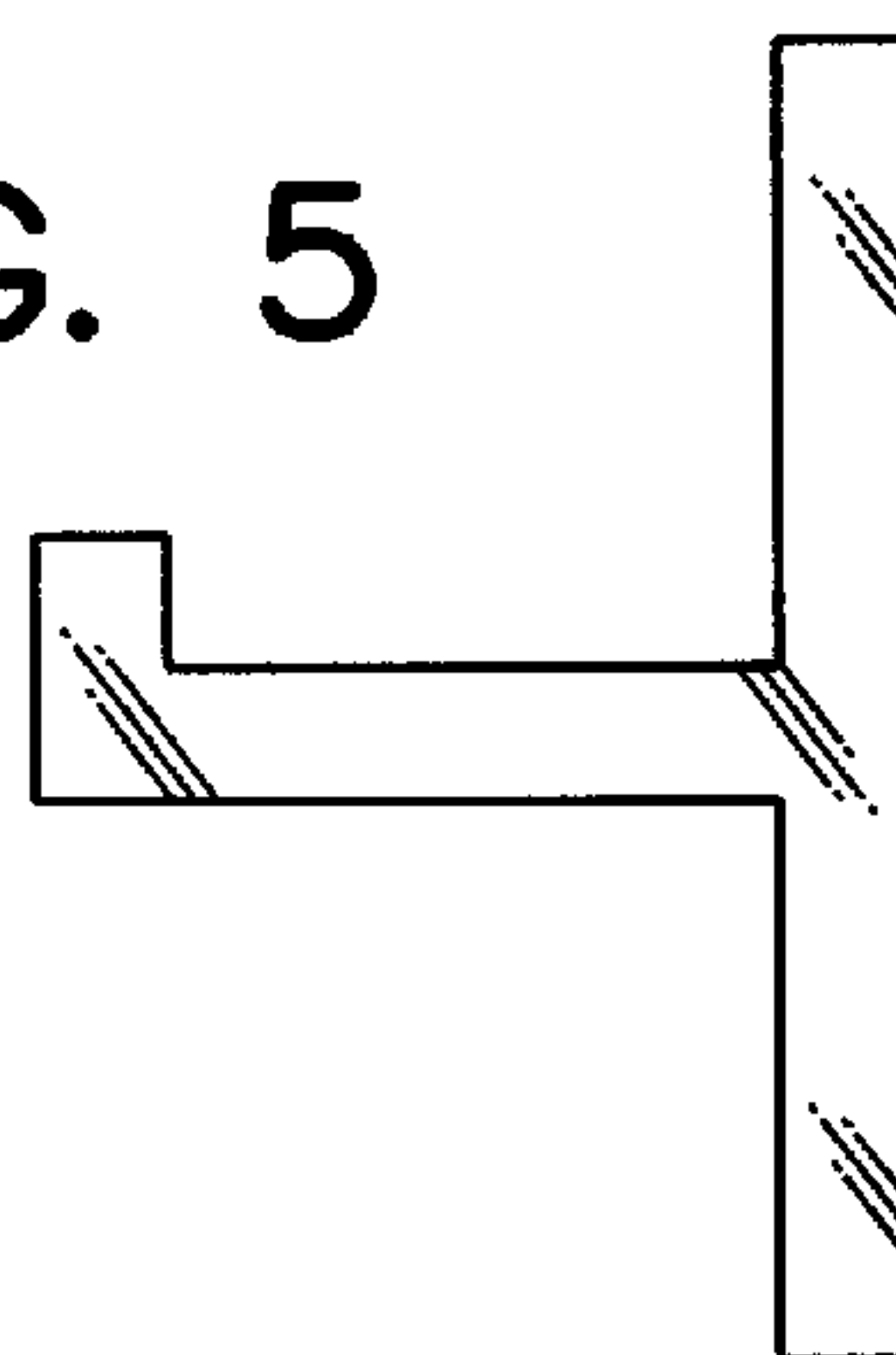


FIG. 6

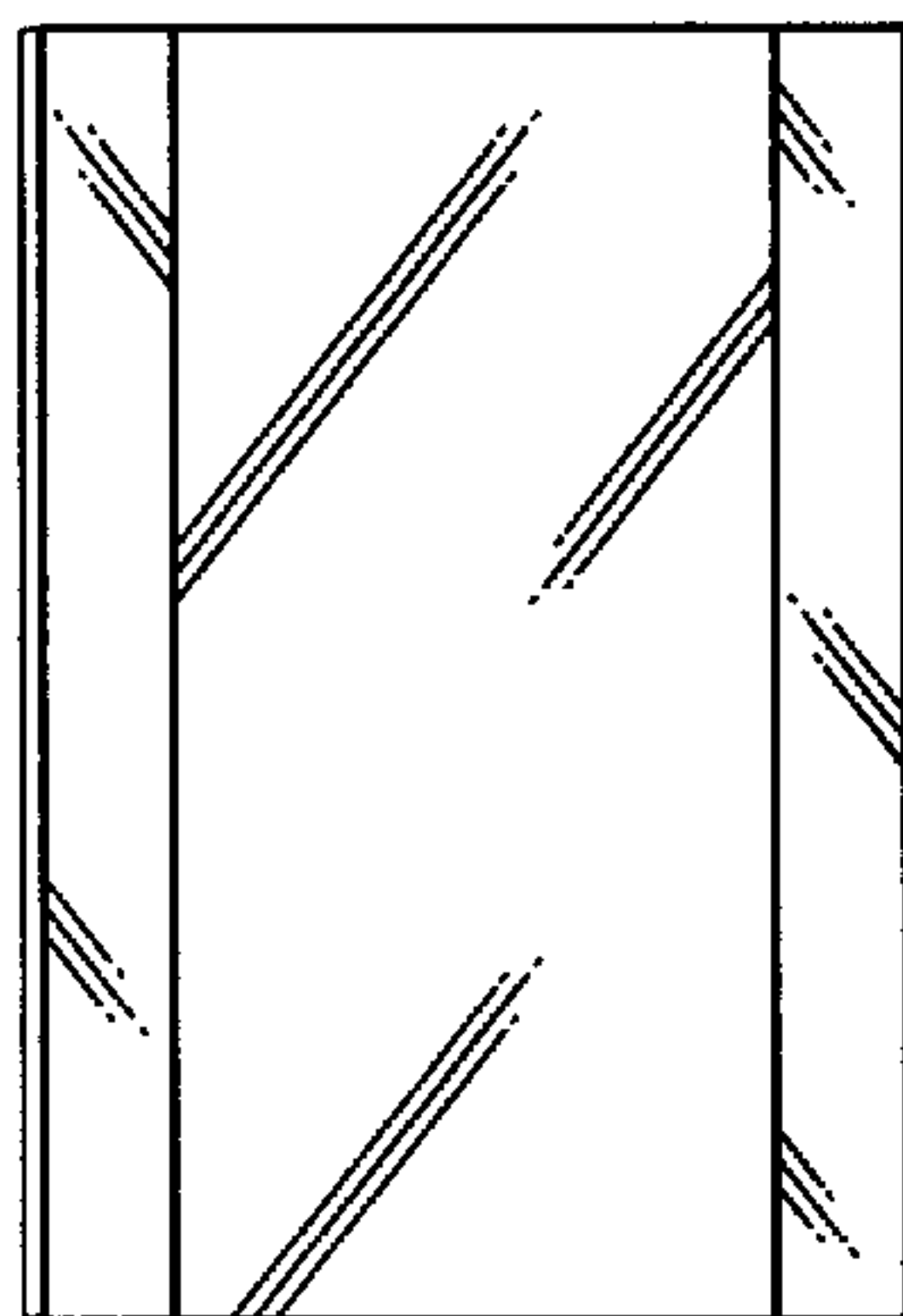


FIG. 7

