



US00D417605S

United States Patent [19]

Sartini et al.

[11] Patent Number: **Des. 417,605**

[45] Date of Patent: **** Dec. 14, 1999**

[54] **ROD SUPPORT**

[75] Inventors: **Eugene R. Sartini**, Fall River; **David Bredemeier**, Rehoboth, both of Mass.

[73] Assignee: **Kenney Manufacturing Company**, Warwick, R.I.

[**] Term: **14 Years**

[21] Appl. No.: **29/092,627**

[22] Filed: **Aug. 24, 1998**

[51] **LOC (6) Cl.** **08-05**

[52] **U.S. Cl.** **D8/363**

[58] **Field of Search** D8/363; 248/251, 248/261-262; 160/349.1, 349.2

[56] **References Cited**

U.S. PATENT DOCUMENTS

- D. 204,057 3/1966 Logan D8/363
- D. 216,458 1/1970 Leonard D8/363
- D. 300,803 4/1989 Whitley, II D8/363

- 419,302 1/1890 Allen 248/268
- 917,601 4/1909 Heinrichs 248/262
- 1,824,385 9/1931 Wintrob 248/262

Primary Examiner—Holly Baynham
Attorney, Agent, or Firm—Robert J. Doherty

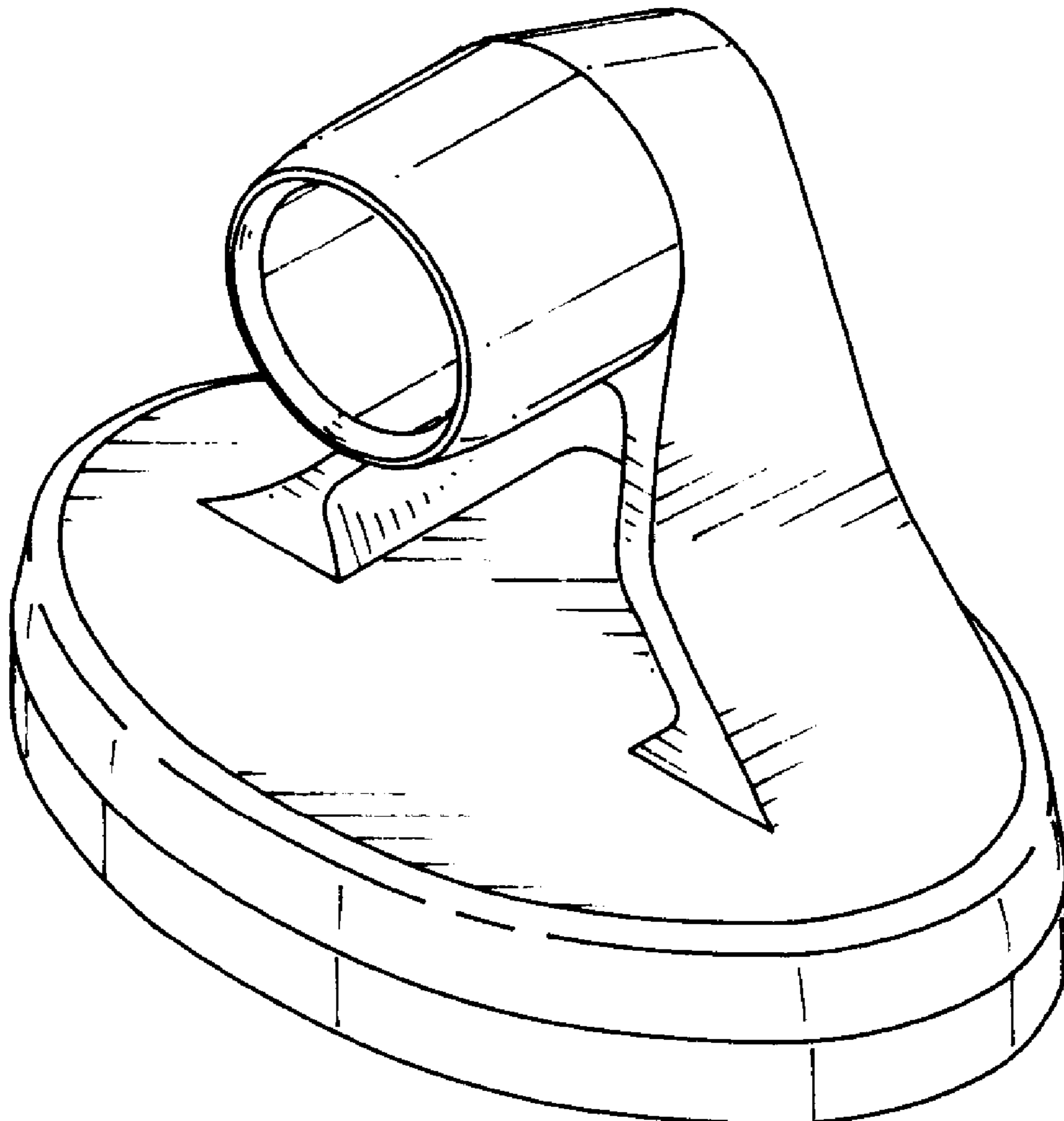
[57] **CLAIM**

The ornamental design for a rod support, as shown and described.

DESCRIPTION

FIG. 1 is a right side perspective view of a rod support showing our new design; FIG. 2 is a left side perspective view thereof; FIG. 3 is a left side elevational view thereof; FIG. 4 is a right side elevational view thereof; FIG. 5 is a top view thereof; FIG. 6 is a bottom view thereof; FIG. 7 is a front view thereof; and, FIG. 8 is a rear view thereof.

1 Claim, 2 Drawing Sheets



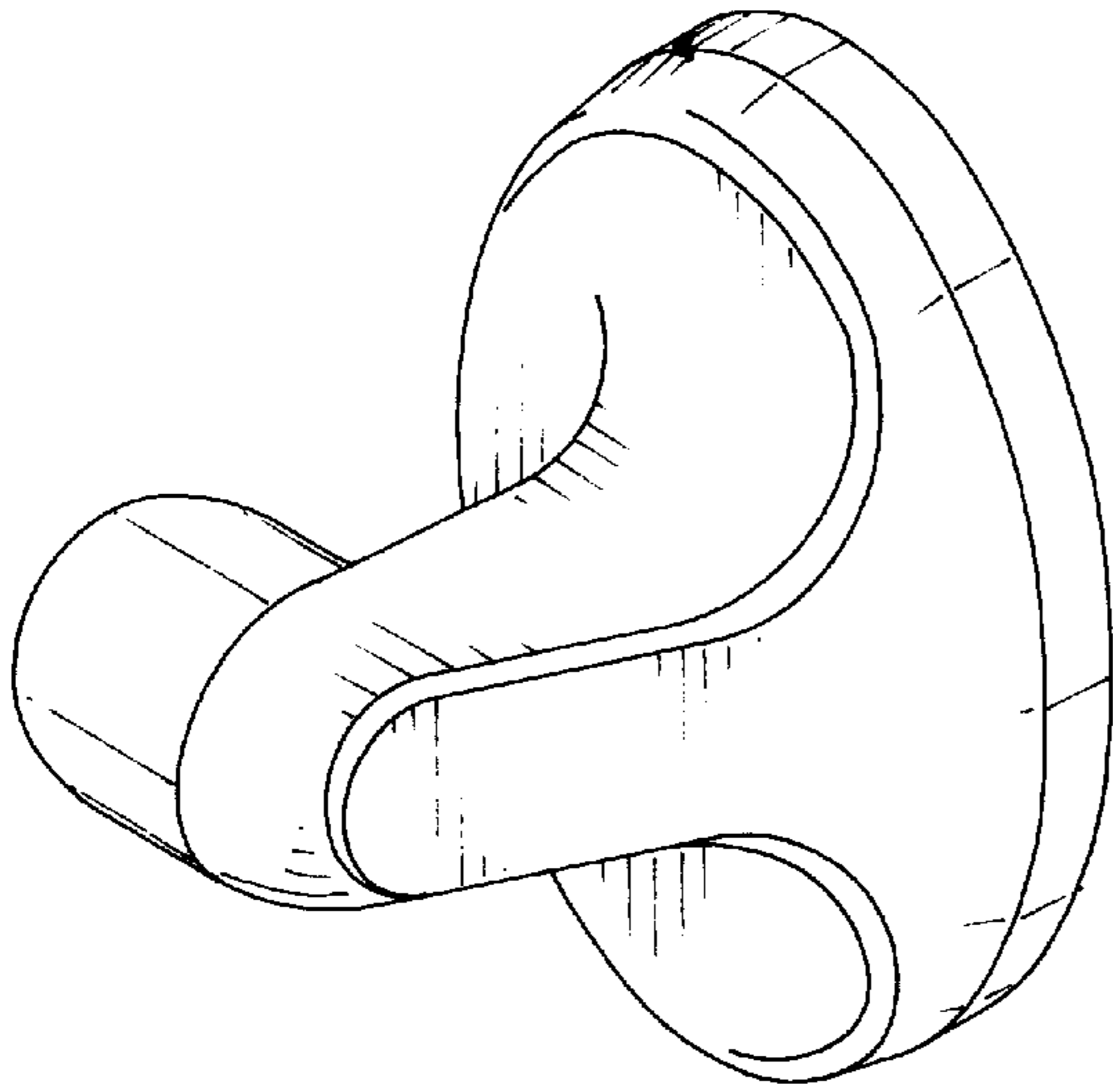


FIG. 1

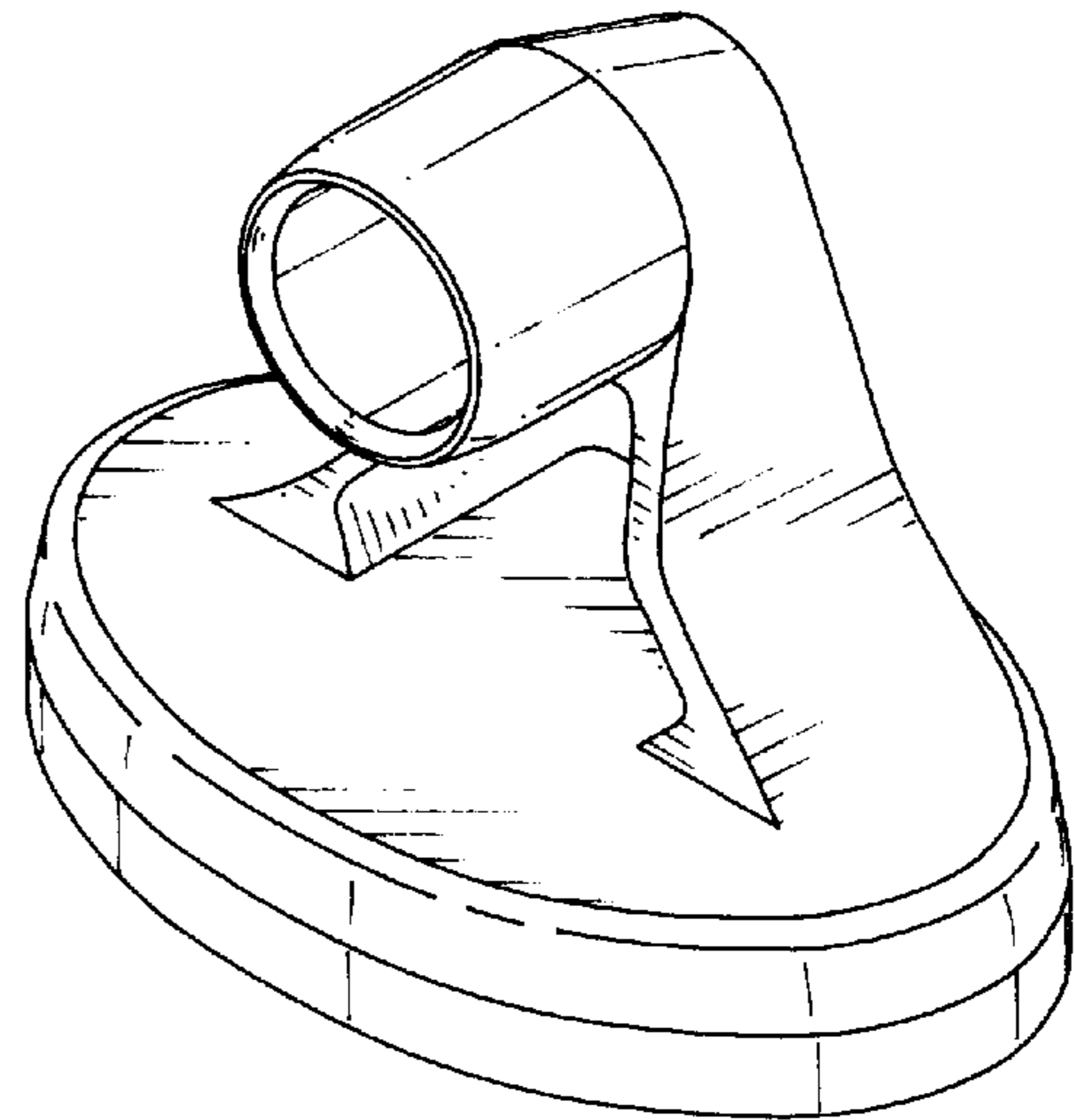


FIG. 2

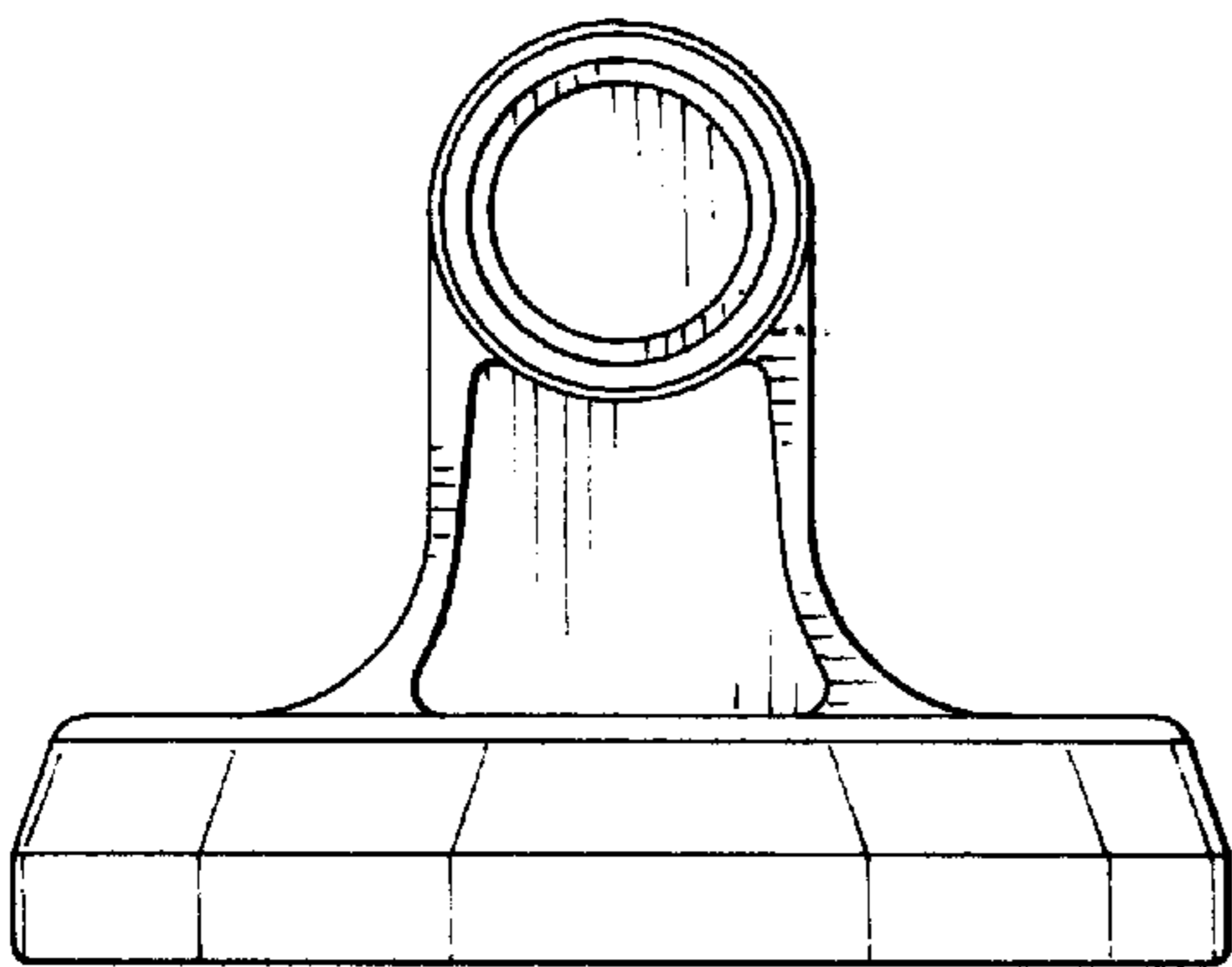


FIG. 3

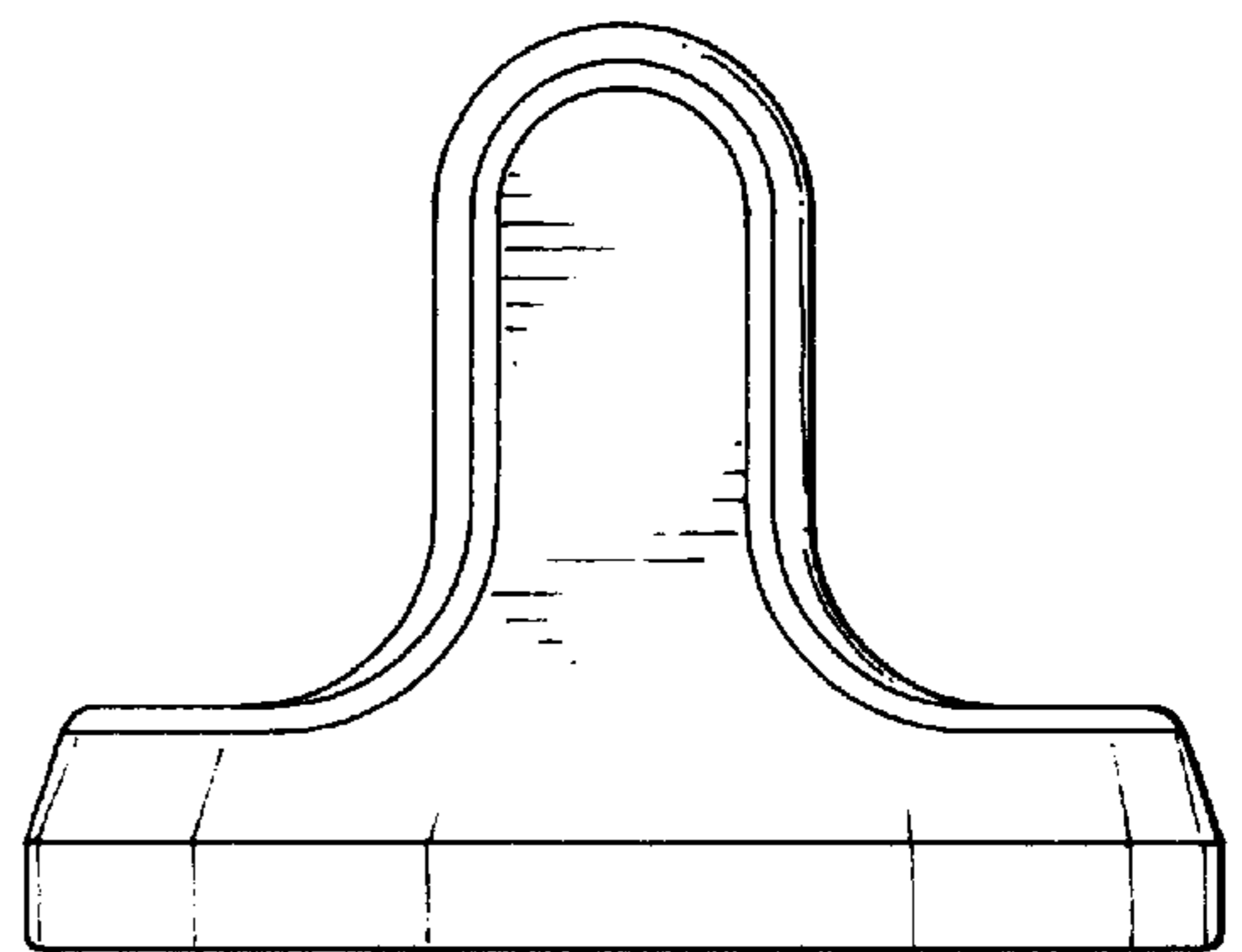


FIG. 4

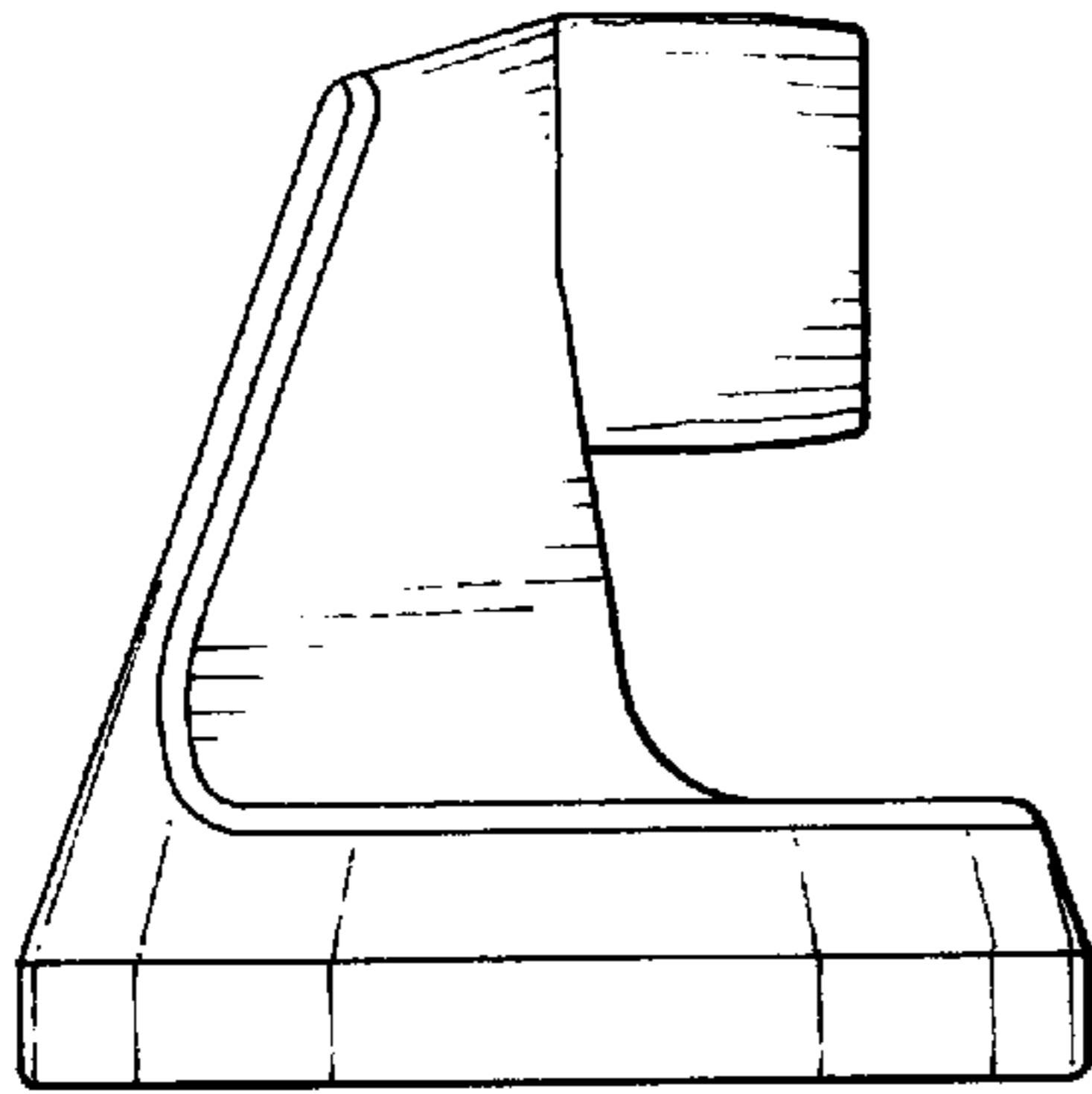


FIG. 5

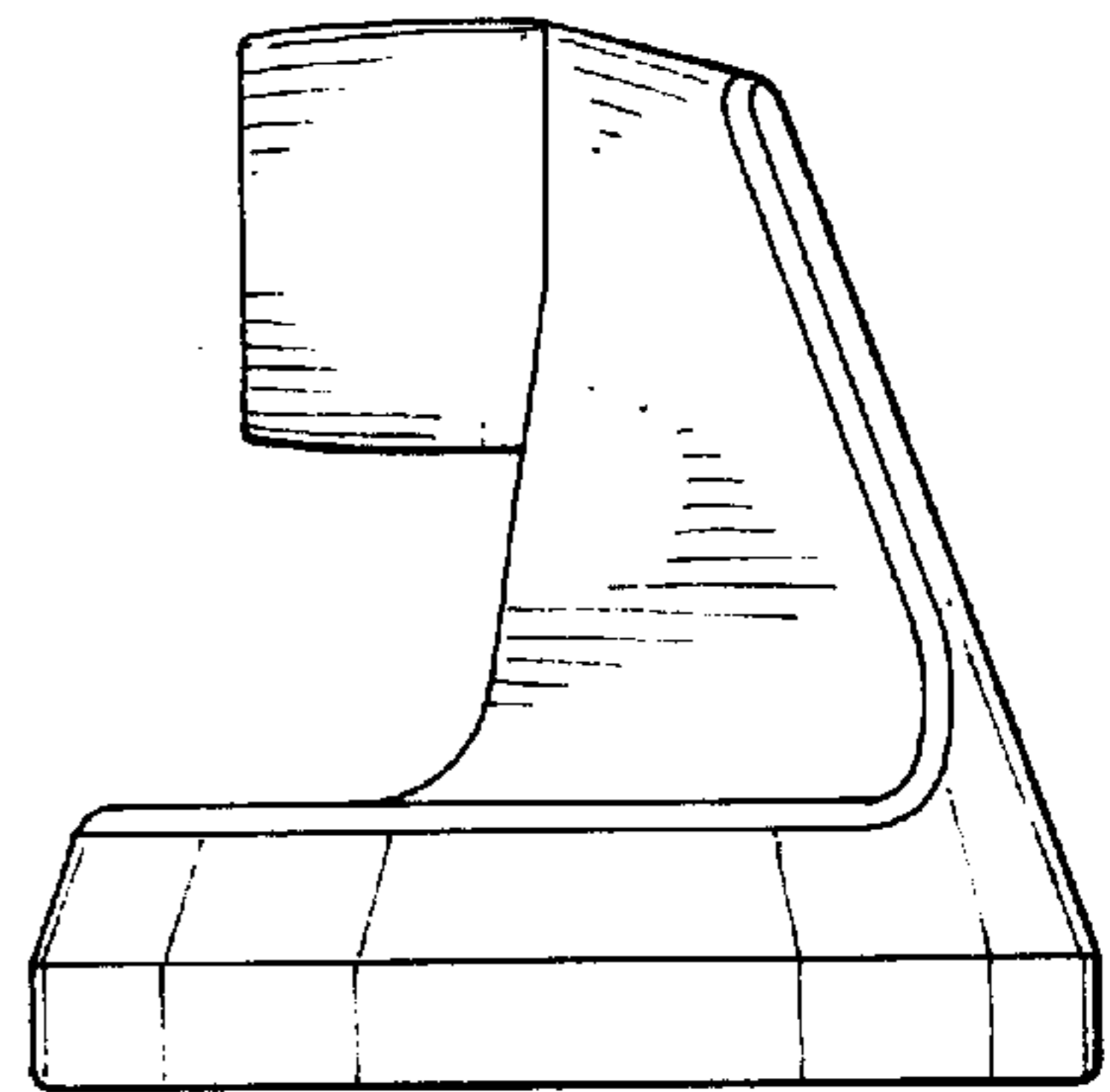


FIG. 6

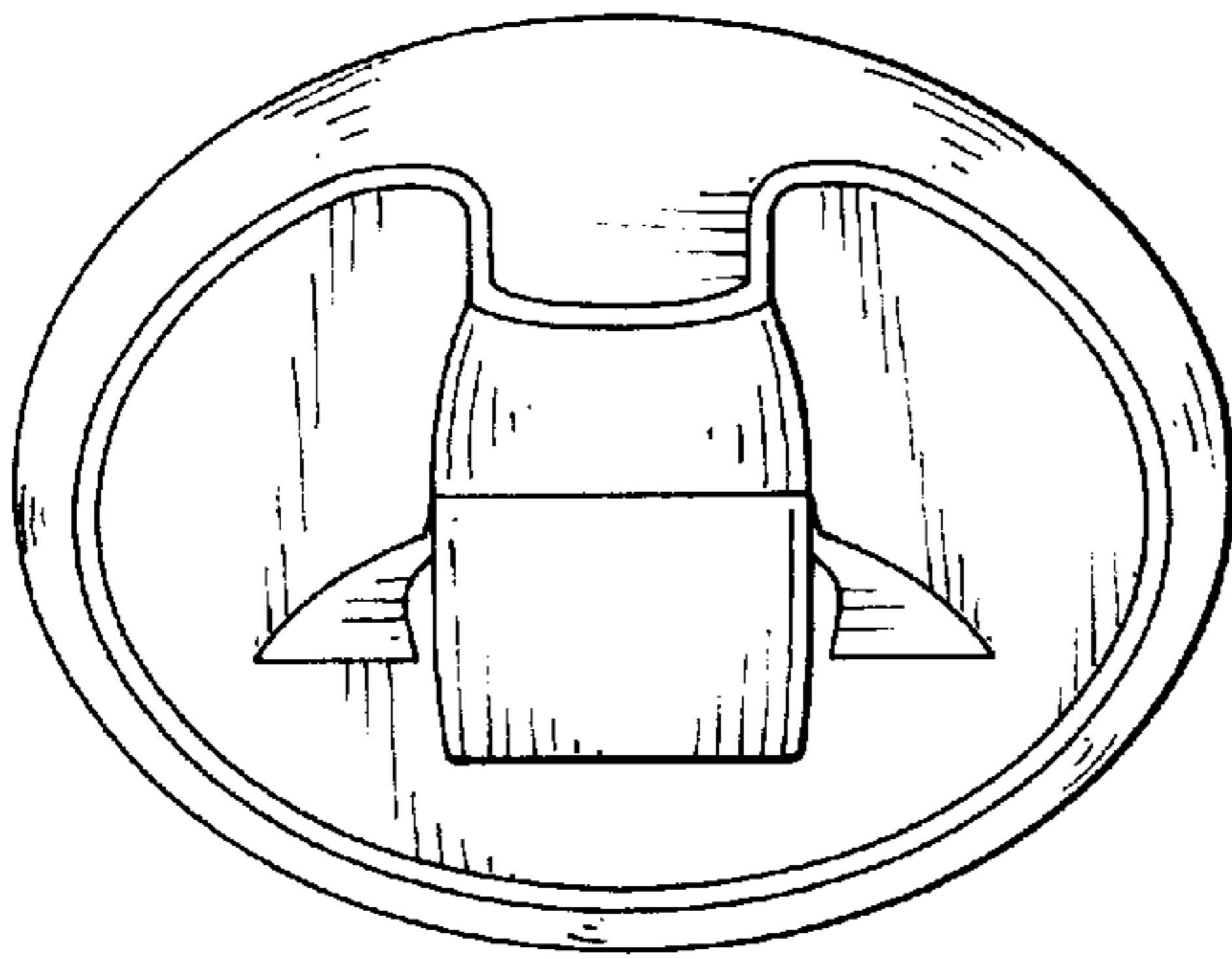


FIG. 7

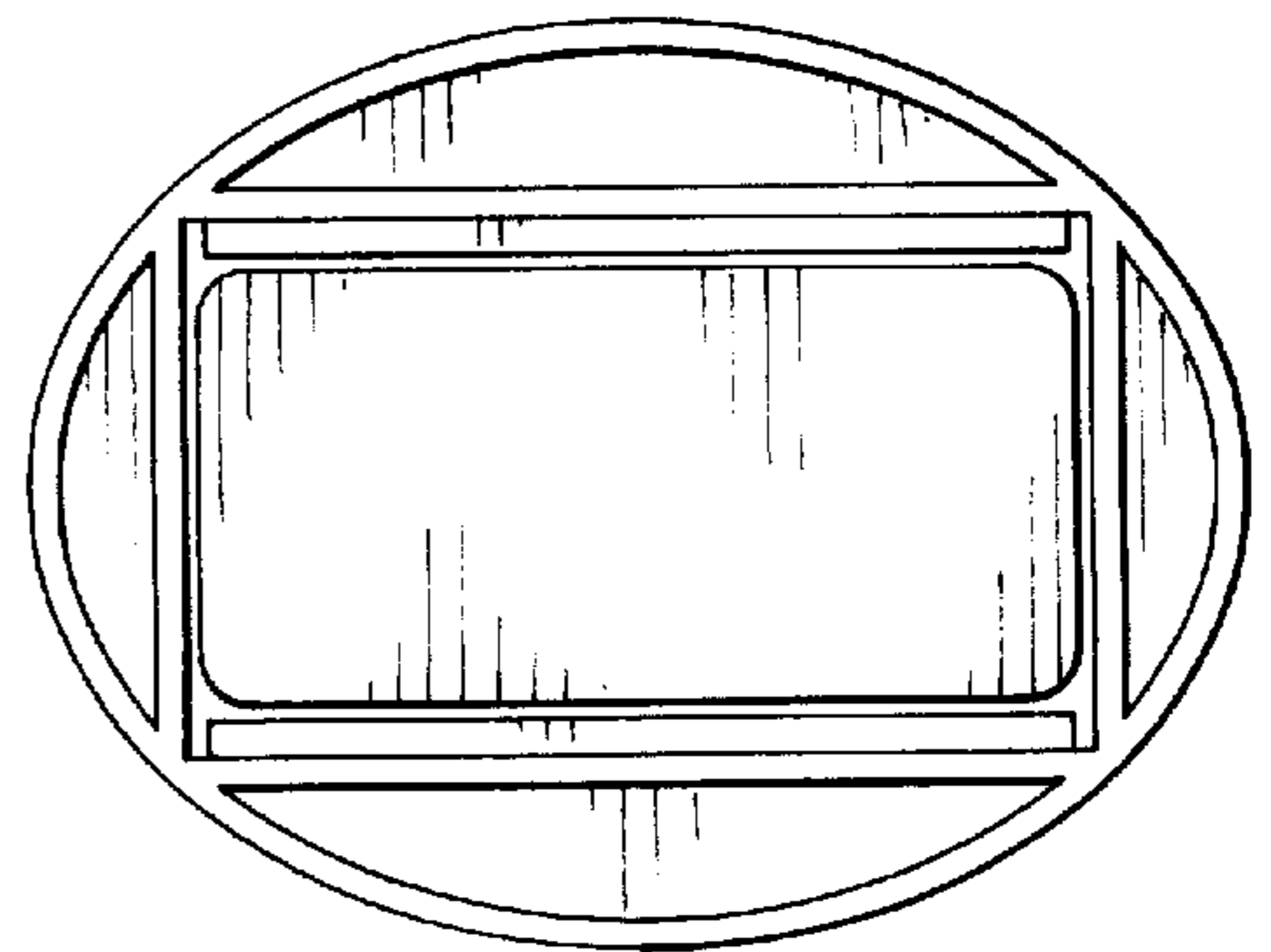


FIG. 8