



US00D417604S

United States Patent [19]

[11] **Patent Number: Des. 417,604**

Wasson et al.

[45] **Date of Patent: ** Dec. 14, 1999**

[54] **DOOR FOR A LOCK BOX**

[76] Inventors: **John E. Wasson; Ninnian M. Wasson; Paul E. Wasson**, all of 3618 S. Olathe Way, Aurora, Colo. 80013

[**] Term: **14 Years**

[21] Appl. No.: **29/092,386**

[22] Filed: **Aug. 17, 1998**

[51] **LOC (6) Cl.** **08-07**

[52] **U.S. Cl.** **D8/343; D8/333**

[58] **Field of Search** D8/333, 330, 331, D8/334, 343; 70/20, 21, 25, 26, 51

[56] **References Cited**

U.S. PATENT DOCUMENTS

D. 391,833	3/1998	Wasson et al.	D8/333
5,685,179	11/1997	Yang	70/28
5,715,709	2/1998	Lai	70/25
5,746,075	5/1998	Yang	70/25

OTHER PUBLICATIONS

Photographs of the Supra-C Series 3, available as early as May 30, 1997.

Primary Examiner—Susan J. Lucas
Assistant Examiner—Jennifer Rivard
Attorney, Agent, or Firm—Holland & Hart LLP

[57] **CLAIM**

The ornamental design for door for a lock box, as shown and described.

DESCRIPTION

FIG. 1 is a front perspective view of a door for a lock box showing our new design in full lines with the broken lines showing environmental association matter being for illustrative purposes only and forming no part of the claimed design;

FIG. 2 is a front elevational view thereof;

FIG. 3 is a top plan view thereof;

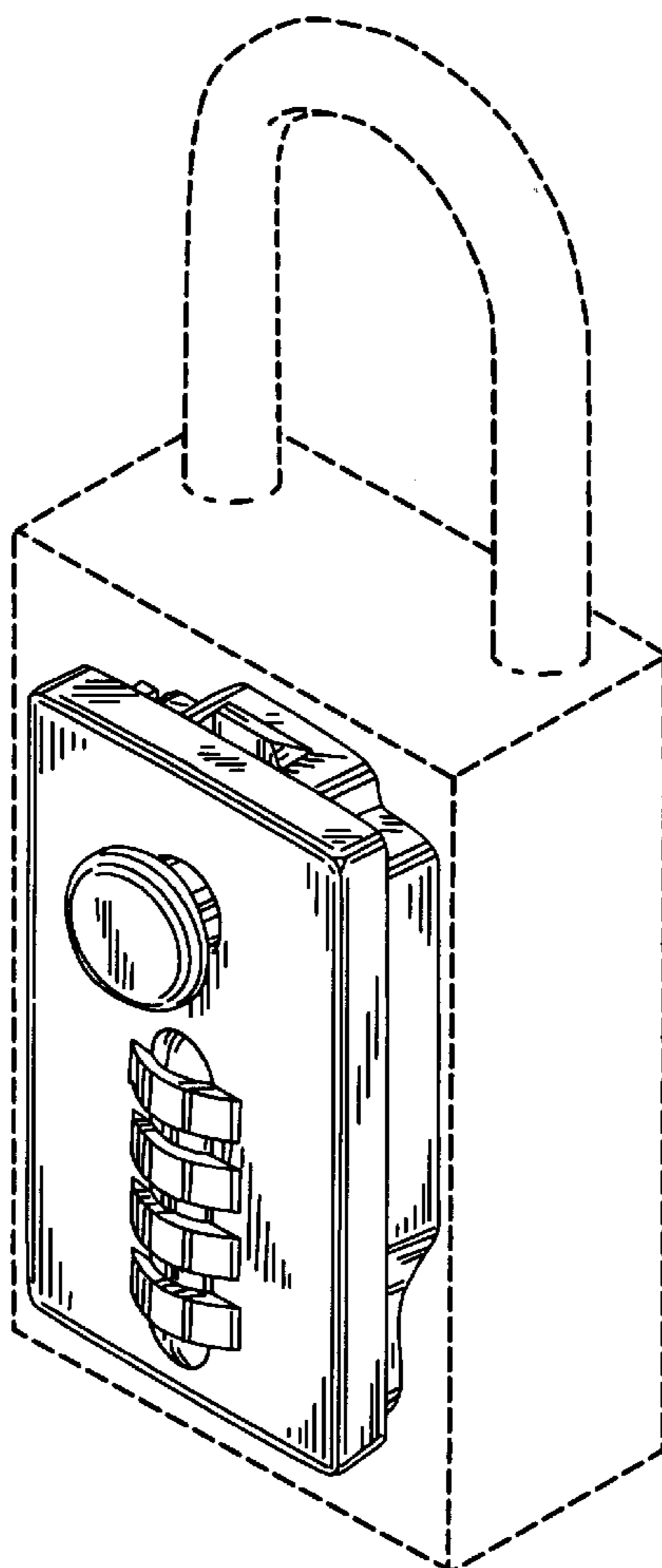
FIG. 4 is a right side elevational view thereof;

FIG. 5 is a back elevational view thereof;

FIG. 6 is a left side elevational view thereof; and,

FIG. 7 is a bottom plan view thereof.

1 Claim, 2 Drawing Sheets



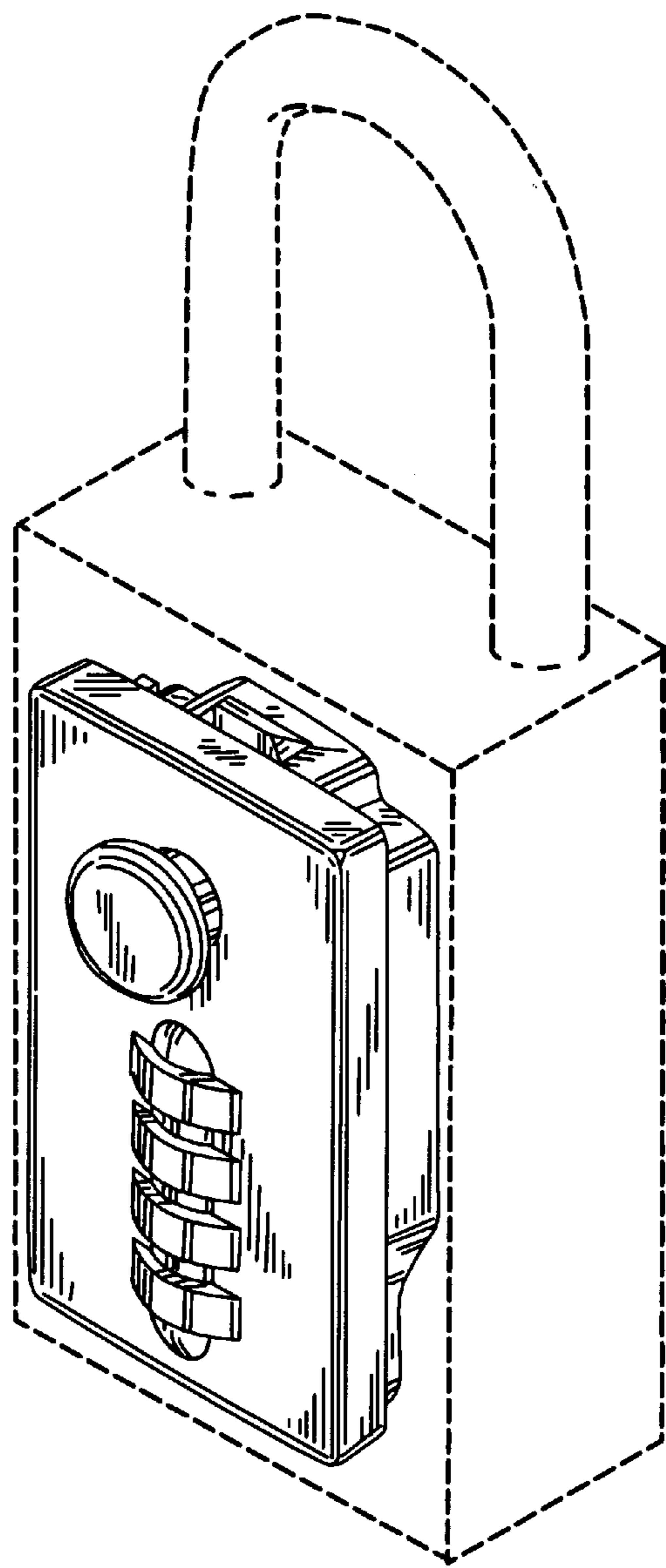


Fig. 1

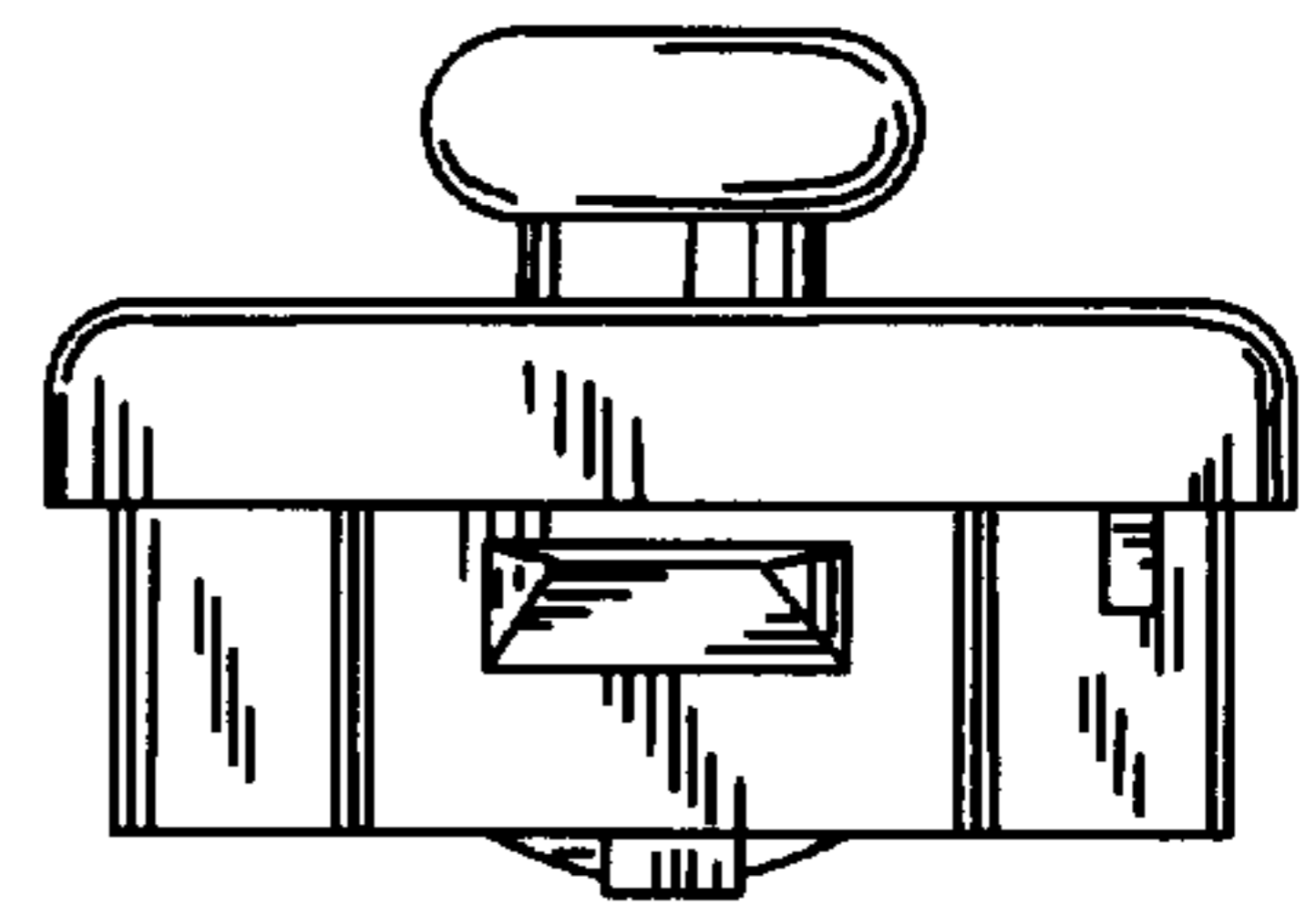


Fig. 3

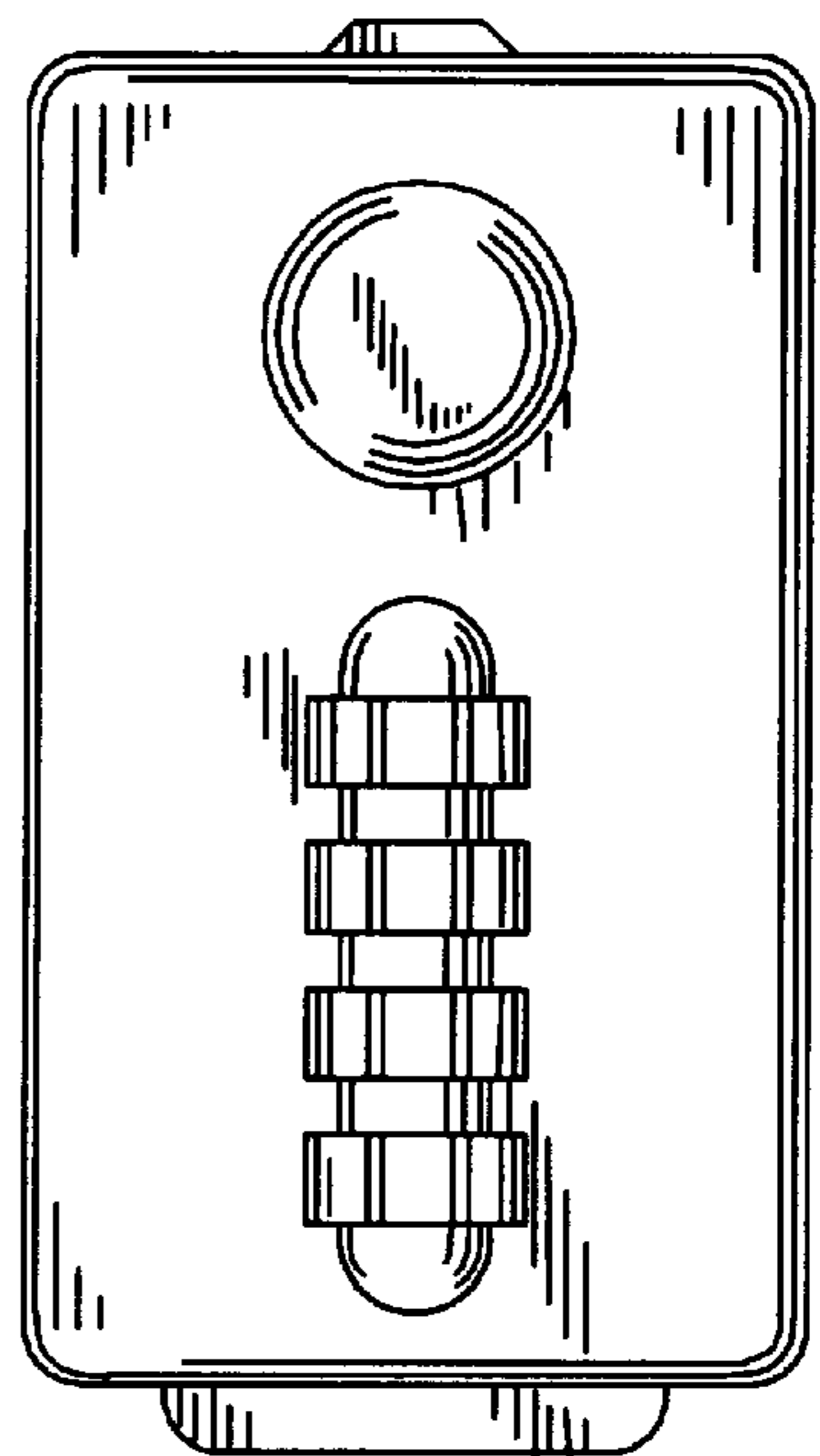


Fig. 2

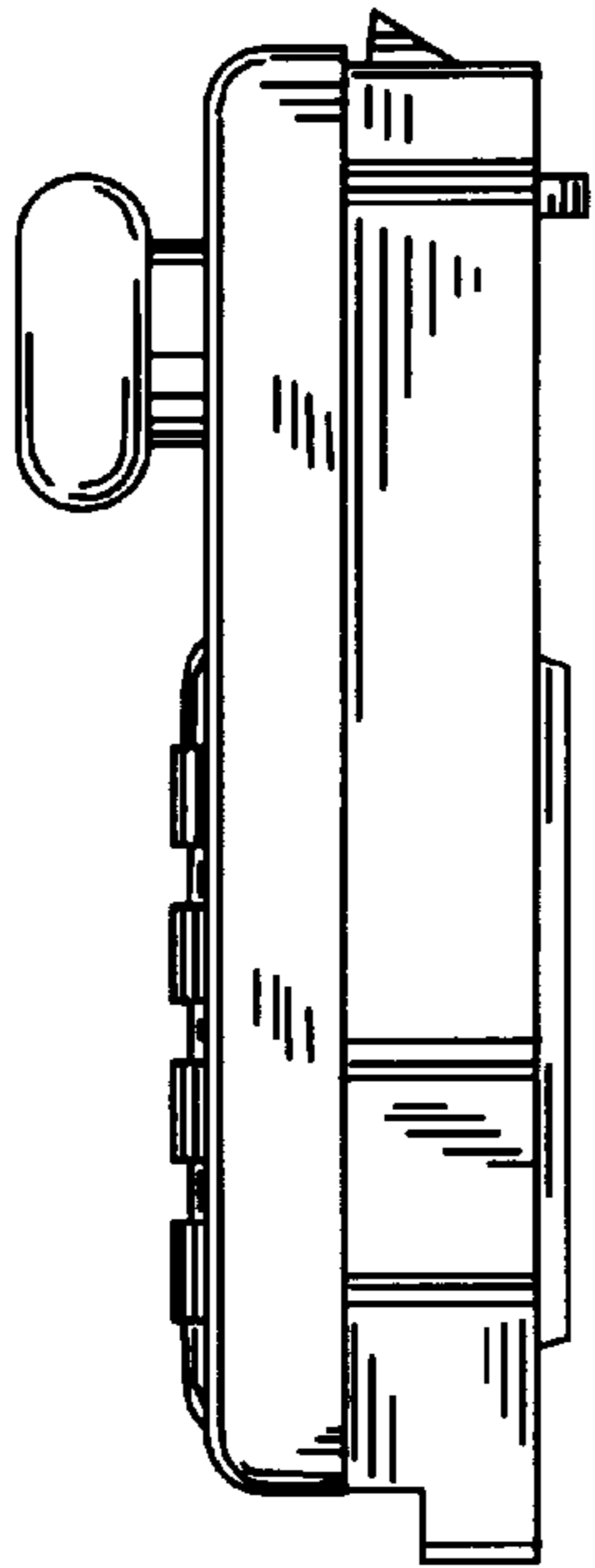


Fig. 4

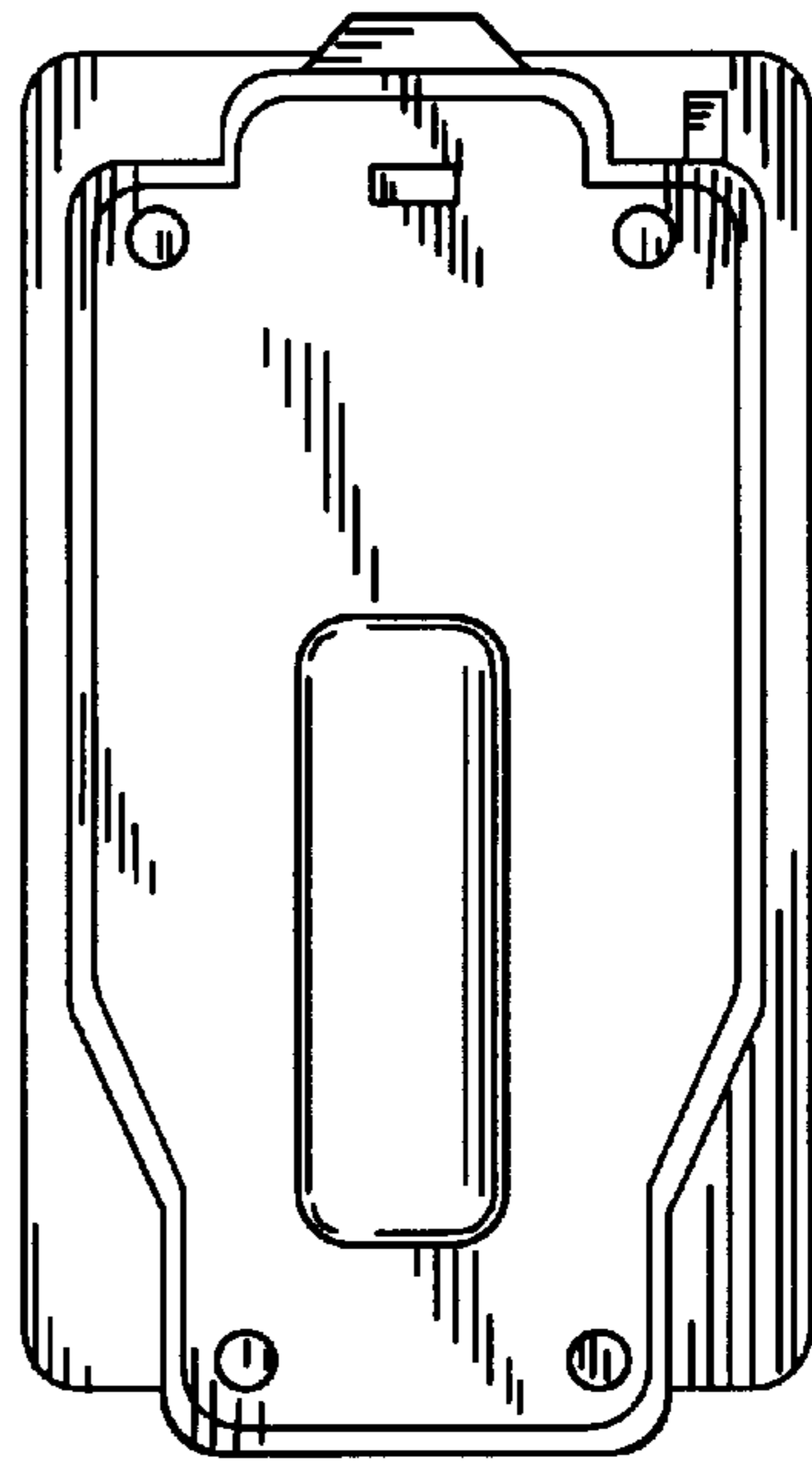


Fig. 5

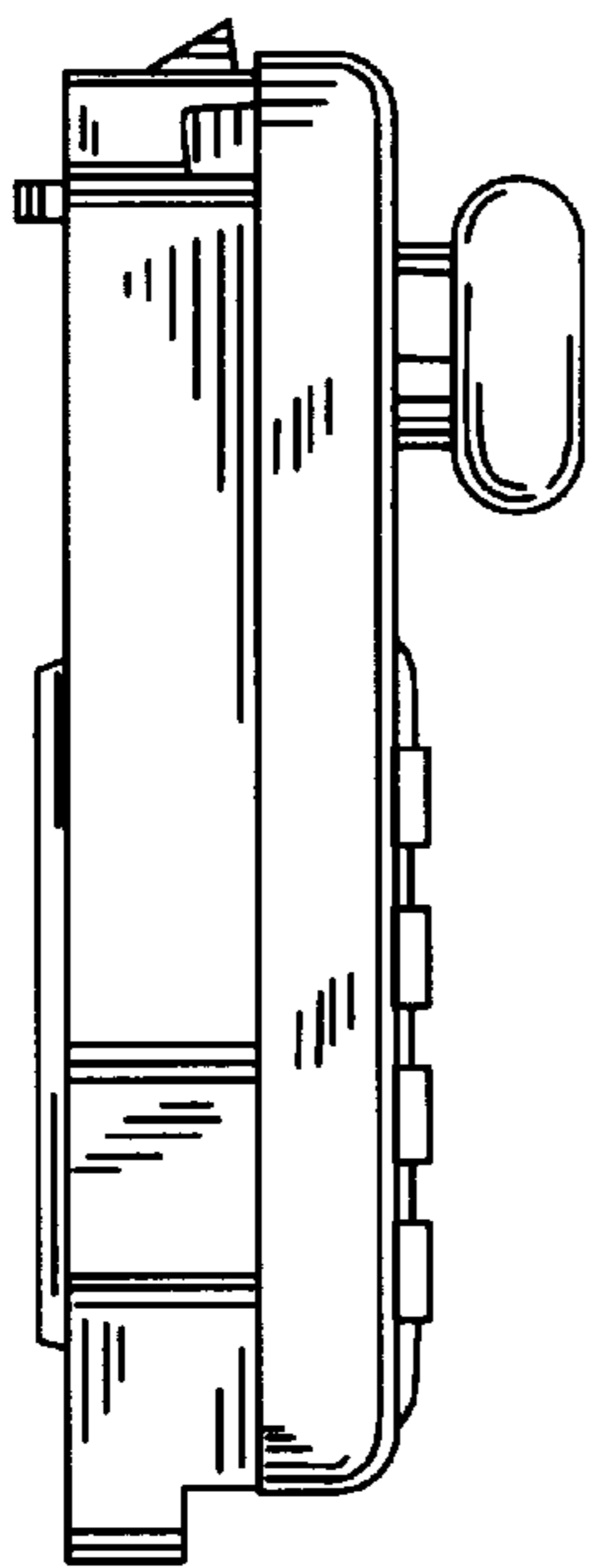


Fig. 6

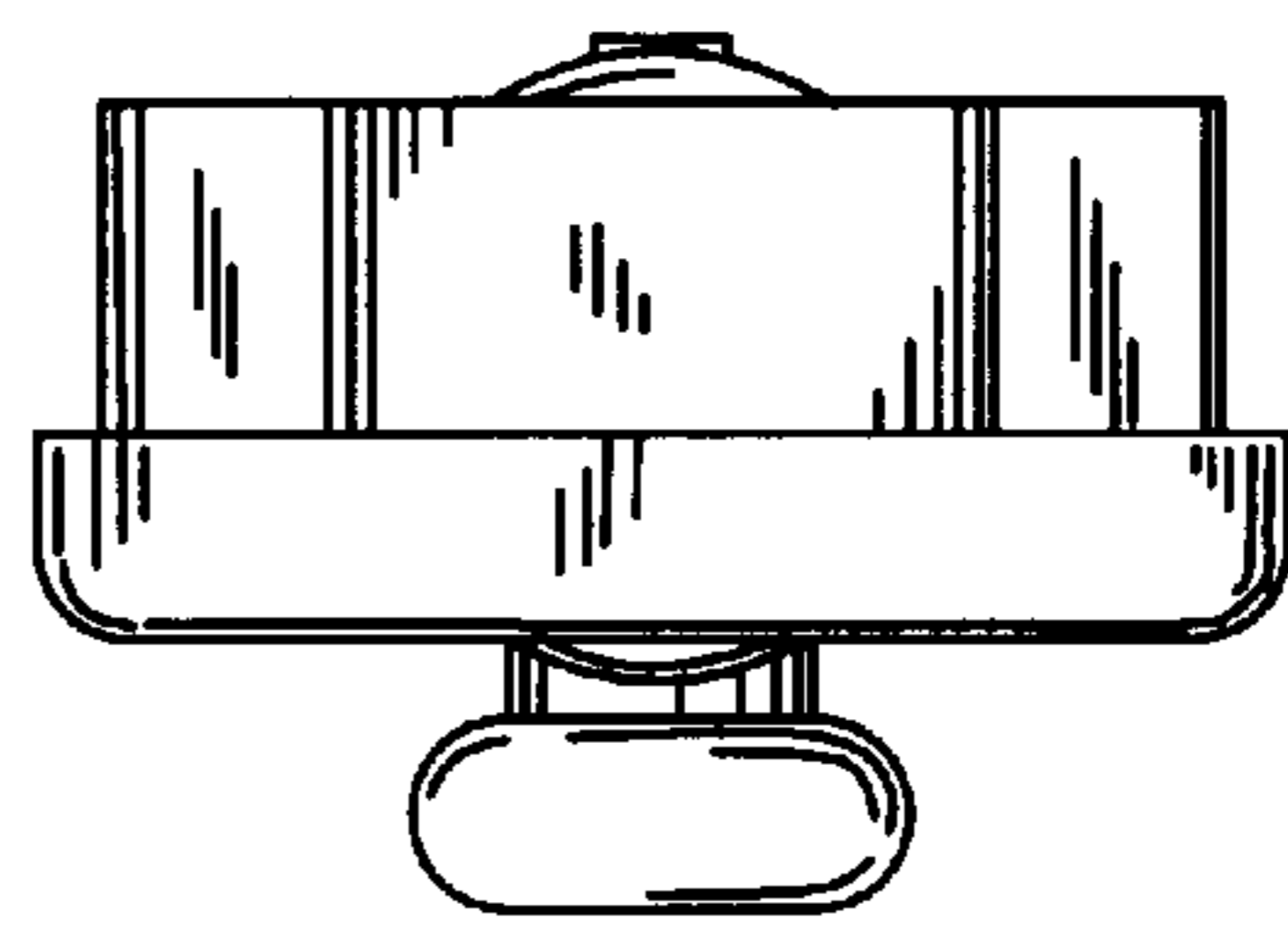


Fig. 7