



US00D417603S

United States Patent [19]

Schlack et al.

[11] Patent Number: **Des. 417,603**

[45] Date of Patent: **** Dec. 14, 1999**

[54] **LATCH HOUSING WITH HANDLE OF A LATCH ACTUATOR**

[75] Inventors: **Richard E. Schlack**, Rising Sun, Md.;
Richard M. Plummer, Kennett Square, Pa.

[73] Assignee: **Southco, Inc.**, Concordville, Pa.

[**] Term: **14 Years**

[21] Appl. No.: **29/096,446**

[22] Filed: **Nov. 13, 1998**

Related U.S. Application Data

[63] Continuation-in-part of application No. 29/088,743, Jun. 1, 1998.

[51] **LOC (6) Cl.** **08-07**

[52] **U.S. Cl.** **D8/338; D8/331**

[58] **Field of Search** 70/208, 210, 215,
70/224, 232, 236; D8/330, 331, 339, 341,
343, 342, 302; 292/DIG. 10, 229, 34, 46,
65, 66, 85

[56] References Cited

U.S. PATENT DOCUMENTS

- D. 343,782 2/1994 Gromotka .
- D. 391,139 2/1998 Gilliam D8/331
- D. 396,397 7/1998 Swan .
- 1,868,580 7/1932 McKinney 70/208
- 3,590,609 7/1971 Atkinson 70/208 X
- 4,693,503 9/1987 Bisbing .
- 4,880,261 11/1989 Bisbing .
- 5,064,228 11/1991 Bisbing .
- 5,201,557 4/1993 Schlack .
- 5,267,762 12/1993 Gromotka .
- 5,347,834 9/1994 Ramsauer 70/208 X
- 5,375,894 12/1994 Schlack .
- 5,409,272 4/1995 McCormack .

- 5,450,735 9/1995 Esaki et al. 70/208
- 5,469,725 11/1995 Yamada 70/208
- 5,609,373 3/1997 Gromotka .
- 5,722,269 3/1998 Simon et al. .

OTHER PUBLICATIONS

Southco Fasteners Handbook 48 (Southco, Inc., Pennsylvania, 1997) Compression Latches, pp. E-21-E-24 and Panel Latches, pp. F-4 and F-5.

Primary Examiner—Susan J. Lucas
Assistant Examiner—Jennifer Rivard
Attorney, Agent, or Firm—Paul & Paul

[57] CLAIM

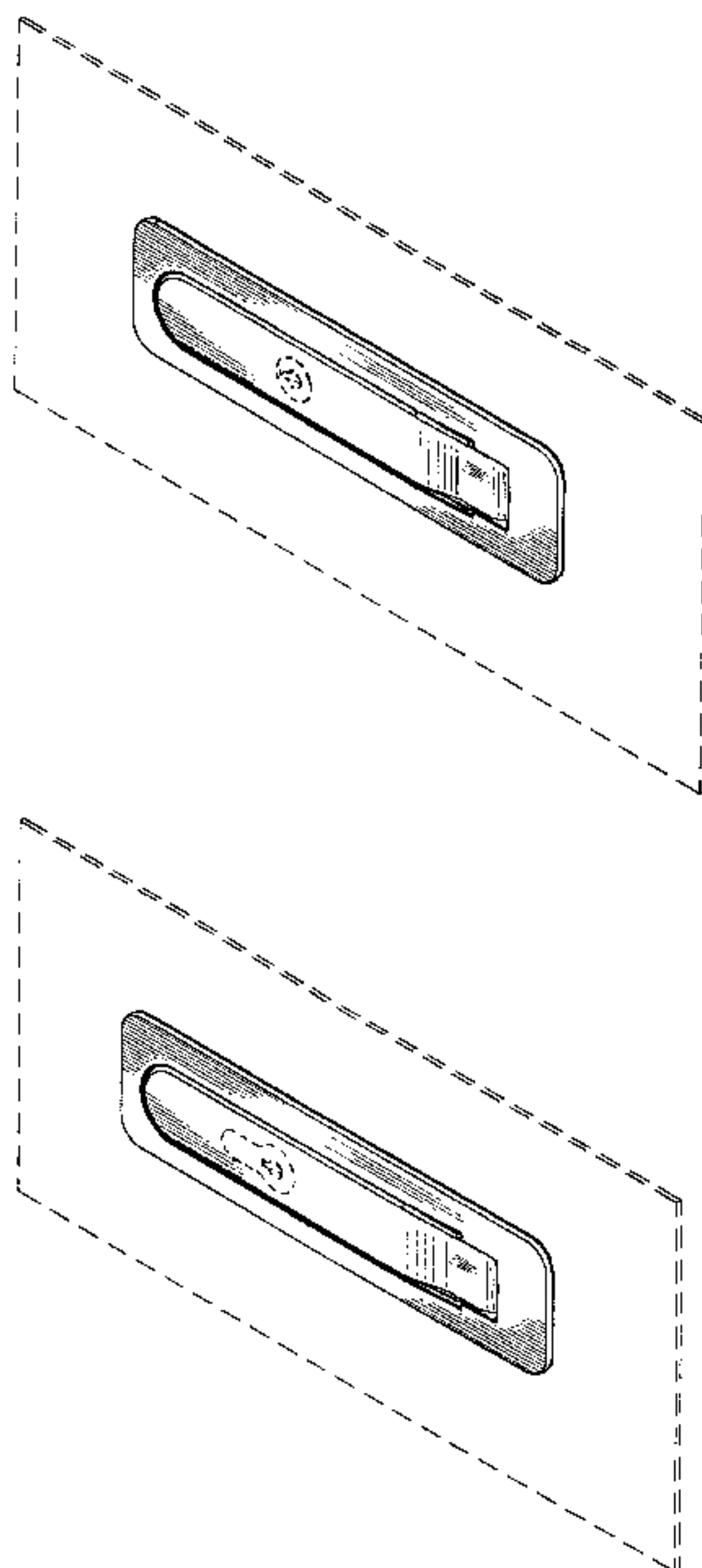
The ornamental design for a latch housing with handle of a latch actuator, as shown and described.

DESCRIPTION

FIG. 1 is perspective view of a portion of a latch housing with handle of a latch actuator embodying our new design; FIG. 2 is a top plan view thereof; FIG. 3 is front elevational view thereof; FIG. 4 is a left side elevational view thereof; FIG. 5 is a right side elevational view thereof; FIG. 6 is a bottom plan view thereof; FIG. 7 is a perspective view of a portion of a latch housing with handle of a second embodiment of a latch actuator embodying our new design; FIG. 8 is a top plan view thereof; FIG. 9 is a front elevational view thereof; FIG. 10 is a left side elevational view thereof; FIG. 11 is right side elevational view thereof; and, FIG. 12 is a bottom plan view thereof.

The broken lines showing a panel in which a portion of a latch housing with handle of a latch actuator is mounted and showing an opening with lock plug mounted in a handle are for illustrative purposes only and form no part of the claimed design.

1 Claim, 2 Drawing Sheets



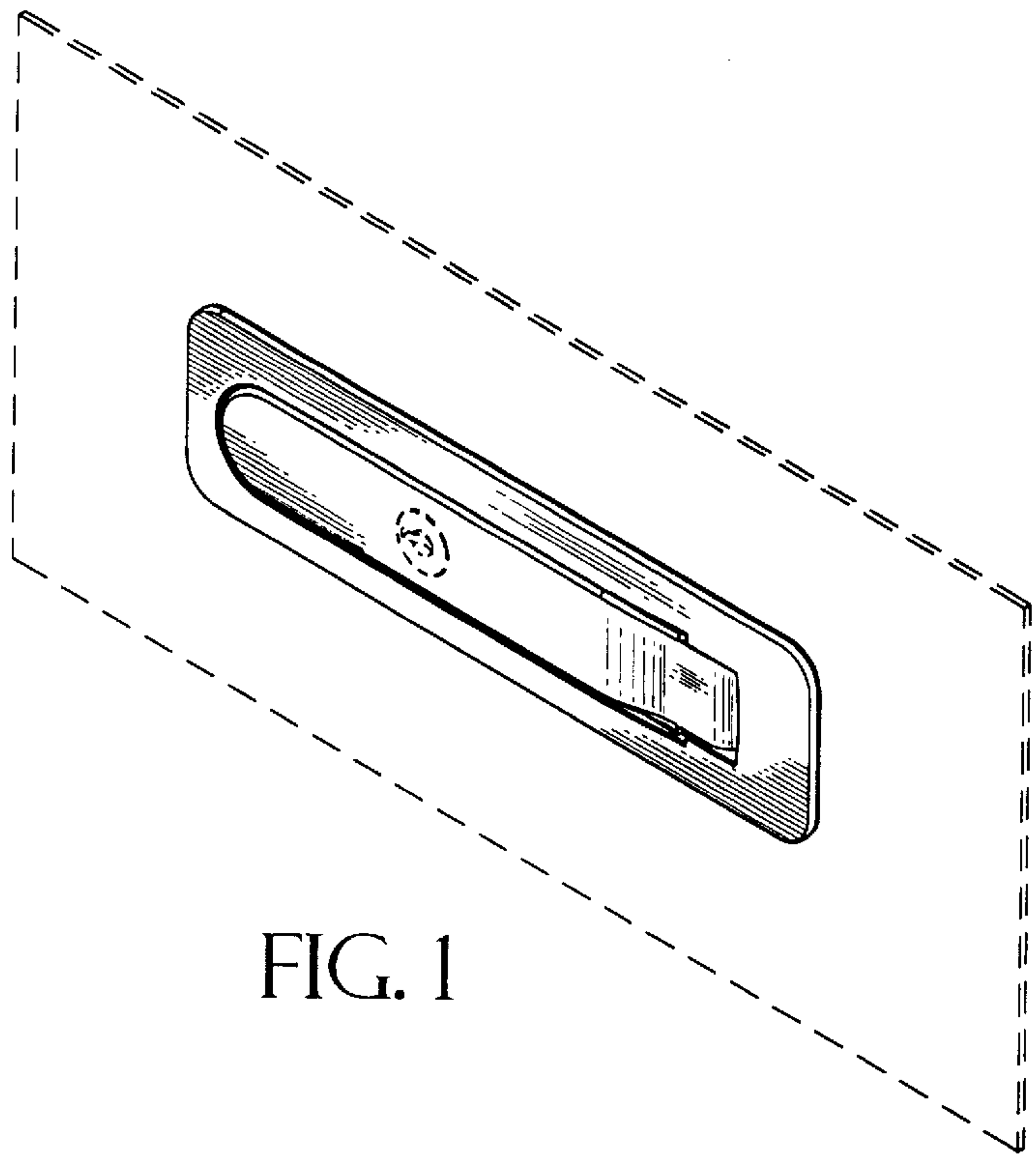


FIG. 1

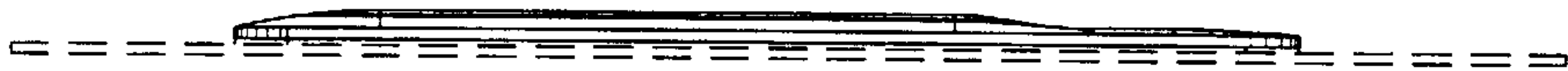


FIG. 2

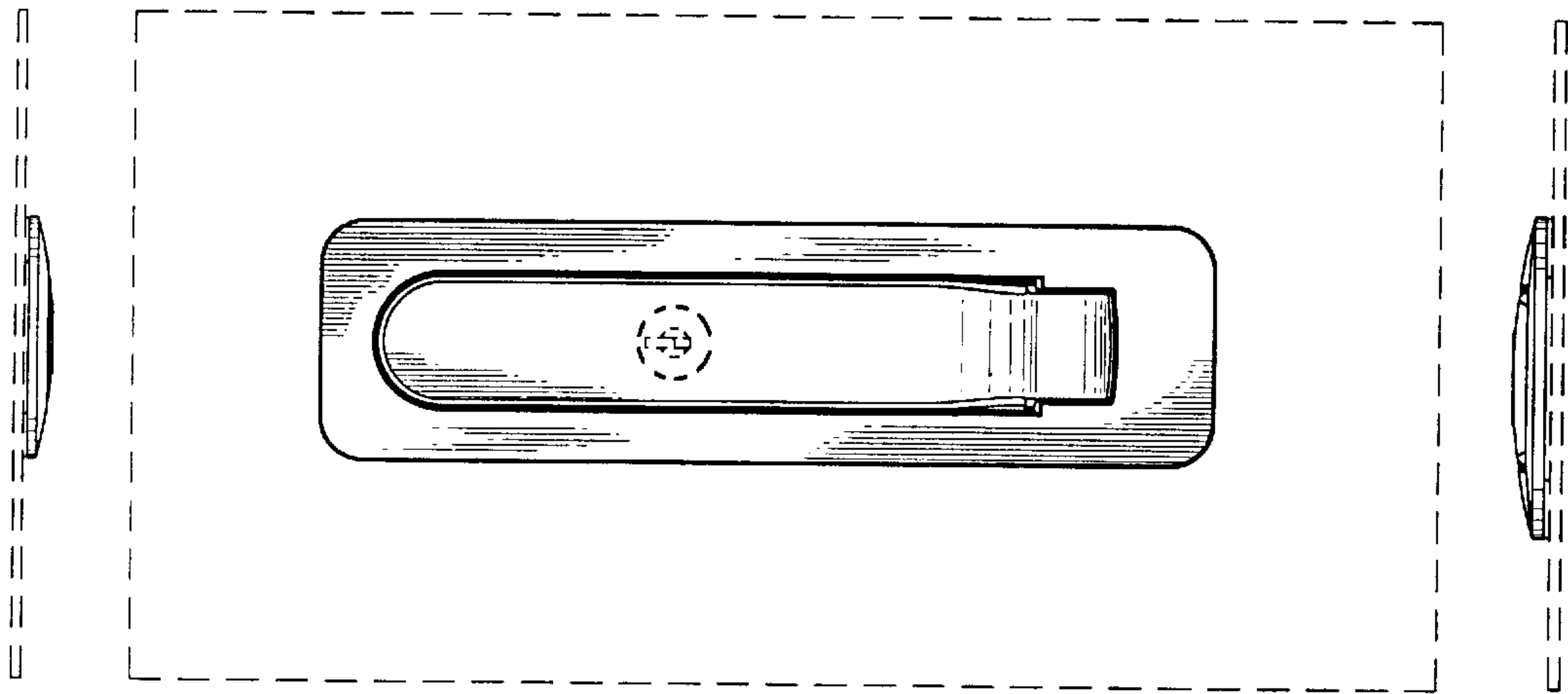


FIG. 3

FIG. 4

FIG. 5

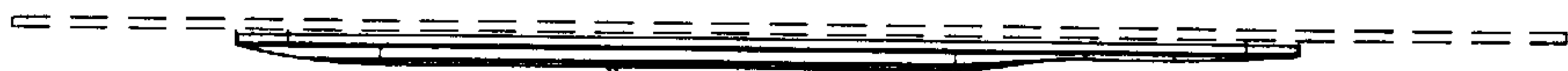


FIG. 6

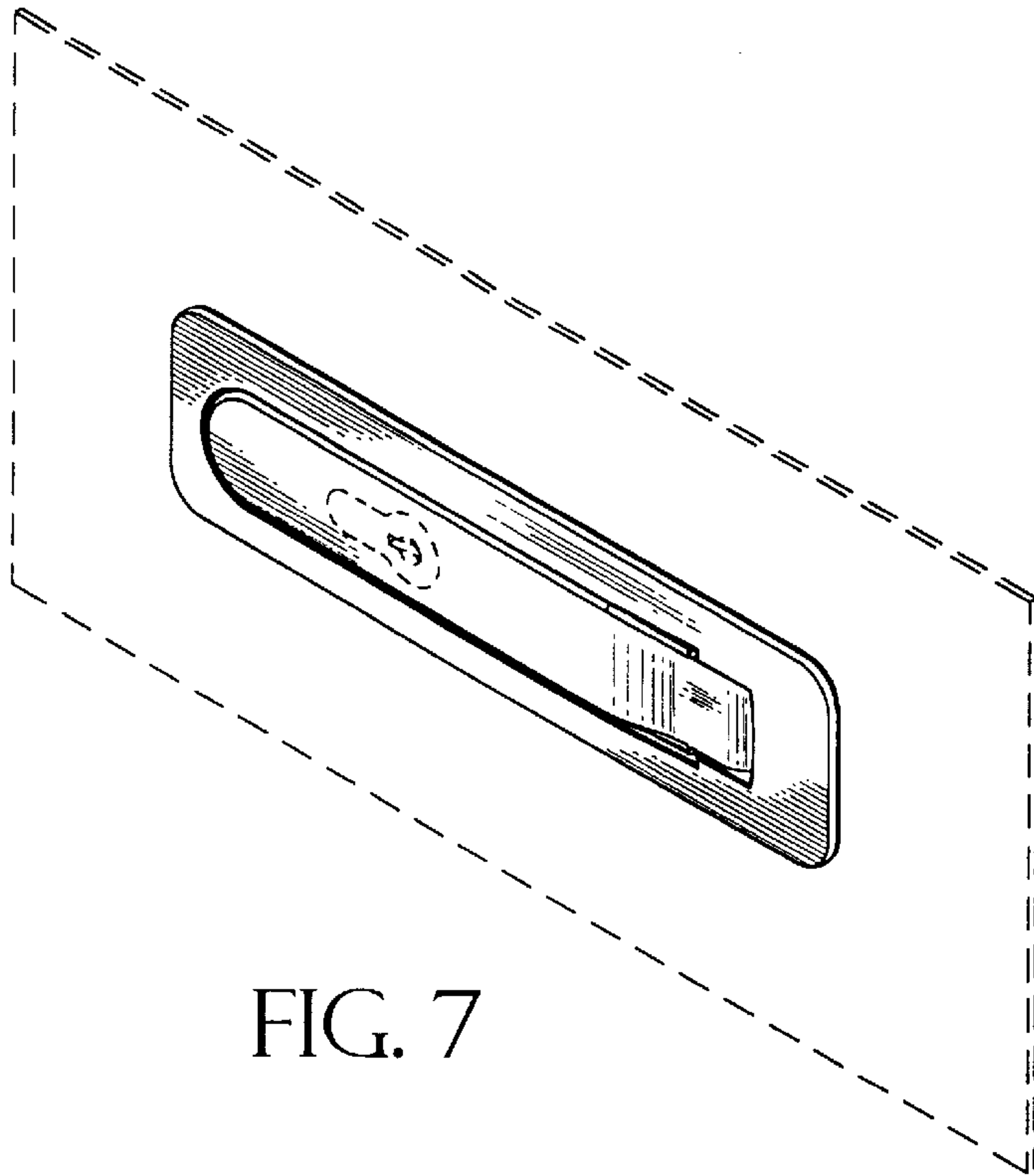


FIG. 7

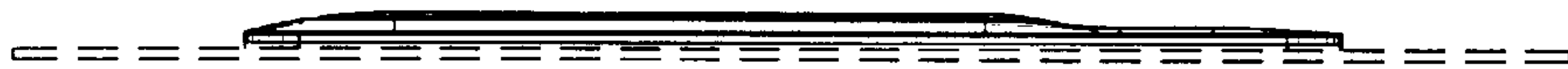


FIG. 8

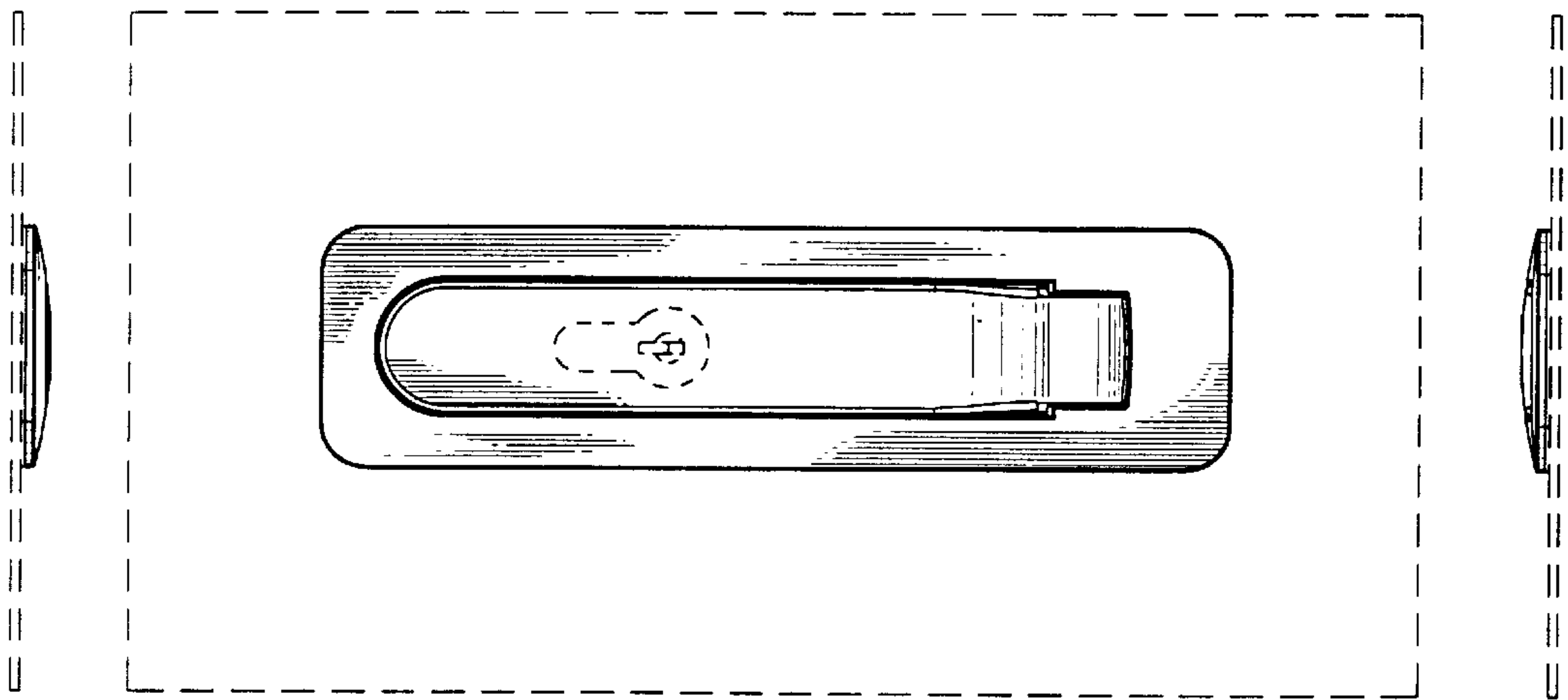


FIG. 10

FIG. 9

FIG. 11

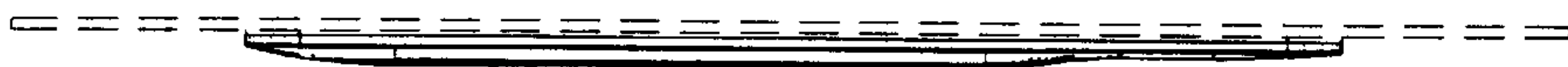


FIG. 12