



US00D417601S

United States Patent [19] Rivera

[11] **Patent Number: Des. 417,601**

[45] **Date of Patent: ** Dec. 14, 1999**

[54] **SCISSORS HANDLE**

[75] Inventor: **Benjamin C. Rivera**, West Linn, Oreg.

[73] Assignee: **Leatherman Tool Group, Inc.**,
Portland, Oreg.

[**] Term: **14 Years**

[21] Appl. No.: **29/079,587**

[22] Filed: **Oct. 16, 1997**

Related U.S. Application Data

[62] Division of application No. 29/047,307, Nov. 29, 1995, Pat. No. Des. 385,170.

[51] **LOC (6) Cl.** **08-05**

[52] **U.S. Cl.** **D8/107; D8/58**

[58] **Field of Search** D8/51, 52, 55,
D8/58, 105, 98, 4, 5; D3/18; 7/107, 125,
127, 128, 129, 132, 135, 167, 168; 81/427.5;
30/254, 255

[56] **References Cited**

U.S. PATENT DOCUMENTS

D. 296,042	6/1988	Lee	D3/18
D. 303,872	10/1989	Tamamura	D3/18
310,439	1/1885	Kamak	.	
464,405	12/1891	Widmann	.	
515,828	3/1894	Hayden	.	
696,995	4/1902	Moser	.	
1,524,694	2/1925	Maio	30/255
1,828,121	10/1931	Adam et al.	.	
2,575,652	11/1951	Bovee	81/43
2,952,912	9/1960	Crawford	30/255
3,766,648	10/1973	Chundelak, Jr.	30/255
3,781,992	1/1974	Barr	30/255
4,238,862	12/1980	Leatherman	7/128
4,744,272	5/1988	Leatherman	81/427.5
5,062,173	11/1991	Collins et al.	7/128
5,142,721	9/1992	Sessions et al.	7/128
5,212,844	5/1993	Sessions et al.	7/128
5,267,366	12/1993	Frazer	7/128

FOREIGN PATENT DOCUMENTS

409943	5/1910	France	.
2522229	5/1974	German Dem. Rep.	.
29556	4/1884	Germany	.
145784	7/1902	Germany	.
521555	3/1955	Italy	.
5375	11/1882	United Kingdom	.

OTHER PUBLICATIONS

Slip 'n' Snip Collapsible Scissors, at least as early as Oct. 1994.

Leatherman Tool Group, Inc., "The Original Leatherman PST II" -Jul., 1995.

Folding Scissors, at least as early as Oct. 1994.

Primary Examiner—Alan P. Douglas

Assistant Examiner—Reid Hecker

Attorney, Agent, or Firm—Chernoff, Vilhauer, McClung & Stenzel, LLP

[57] **CLAIM**

The ornamental design for a scissors handle, as shown and described.

DESCRIPTION

FIG. 1 is a perspective view of a scissors handle showing my new design, together with an outline in broken line of the blades and pivot pin of a pair of scissors with which the scissors handle might be used, the material shown in broken line forming no part of the claimed design;

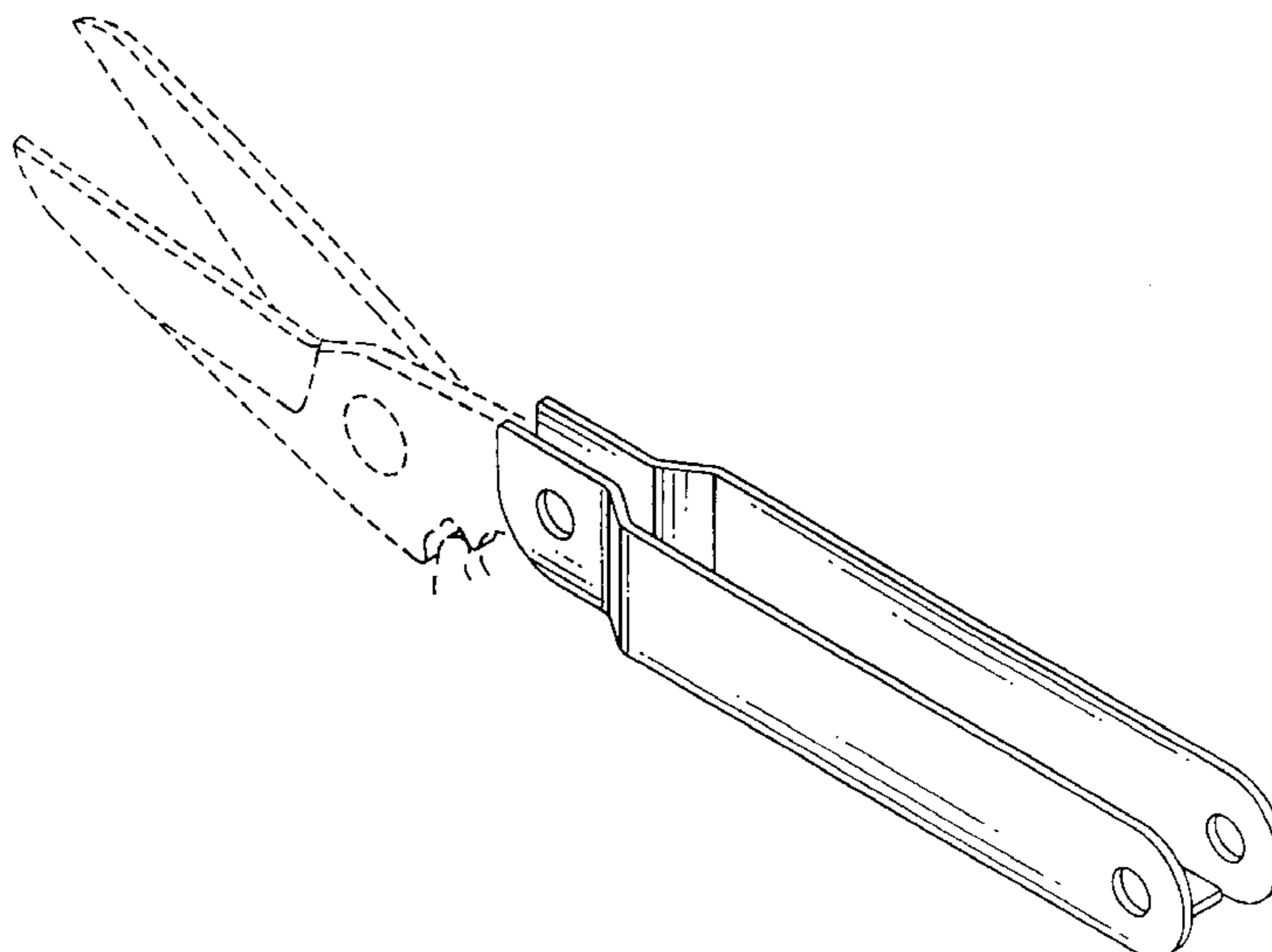
FIG. 2 is a view of the handle, blades, and pivot pin shown in FIG. 1, rotated 180° about an imaginary longitudinal central axis of the pair of scissors blades, from the position shown in FIG. 1;

FIG. 3 is a top plan view of the handle shown in FIG. 1; FIG. 4 is a left side elevational view thereof, the right side being a mirror image thereof;

FIG. 5 is a bottom plan view thereof;

FIG. 6 is a front, or blade end elevational view thereof; and, FIG. 7 is a rear end view thereof.

1 Claim, 3 Drawing Sheets



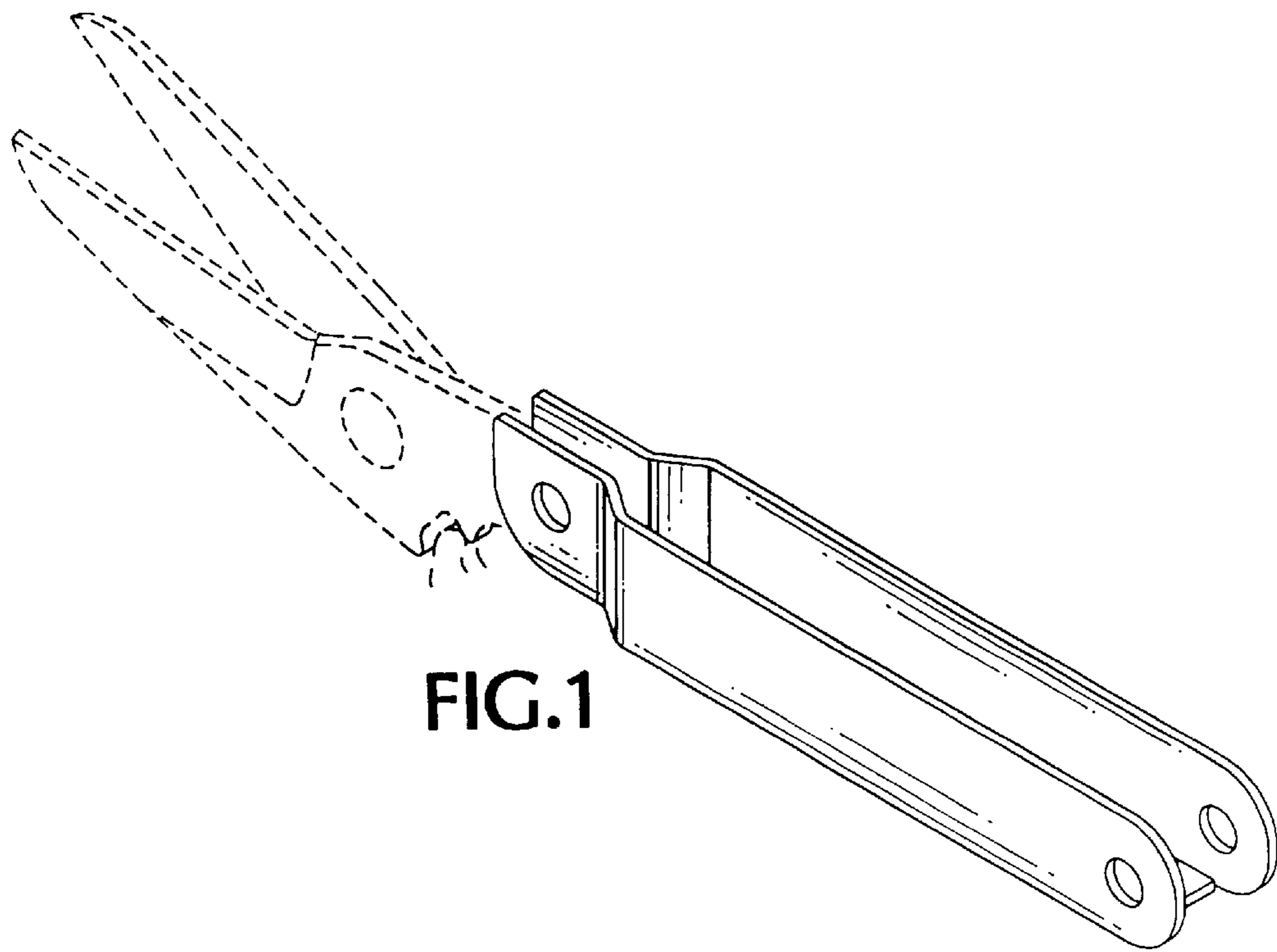
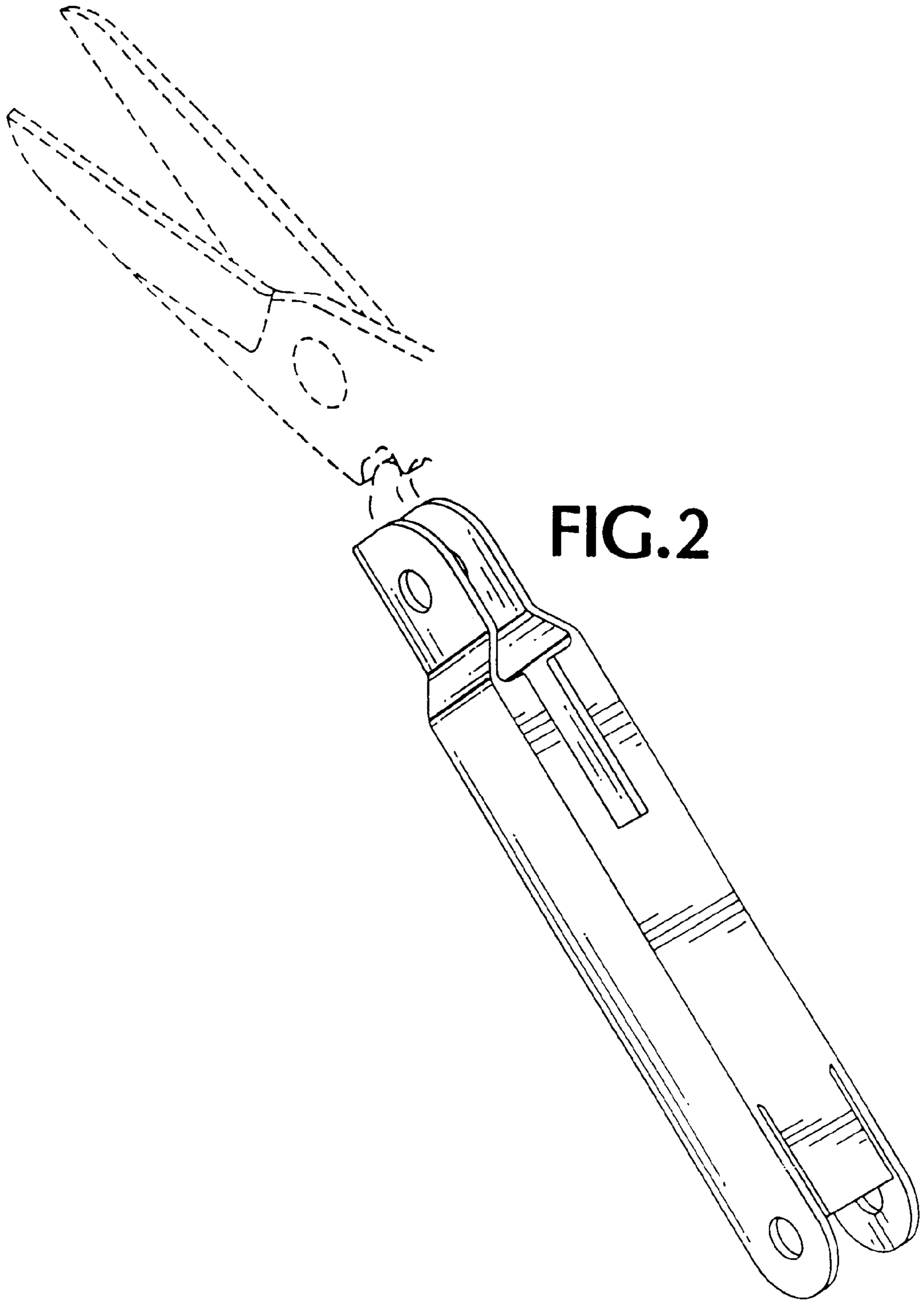


FIG.1



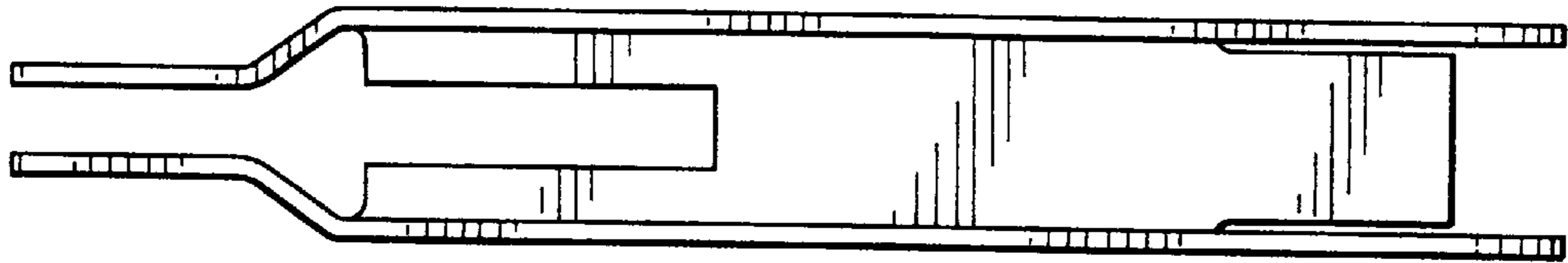


FIG. 3

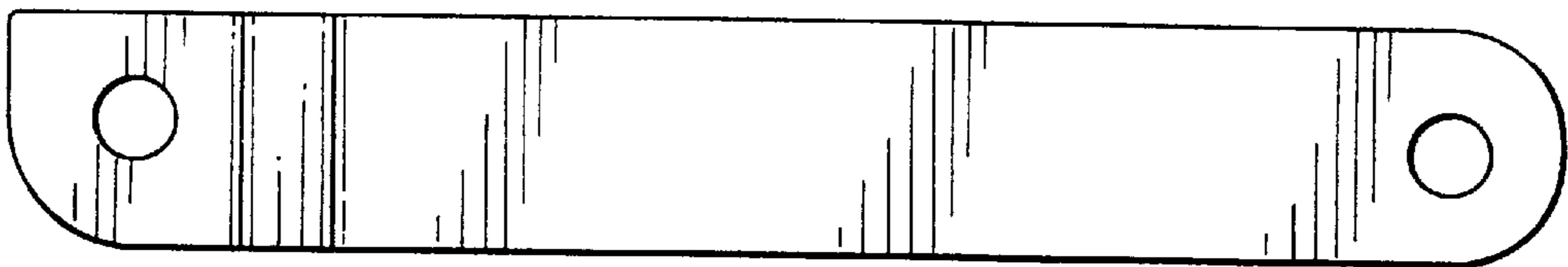


FIG. 4

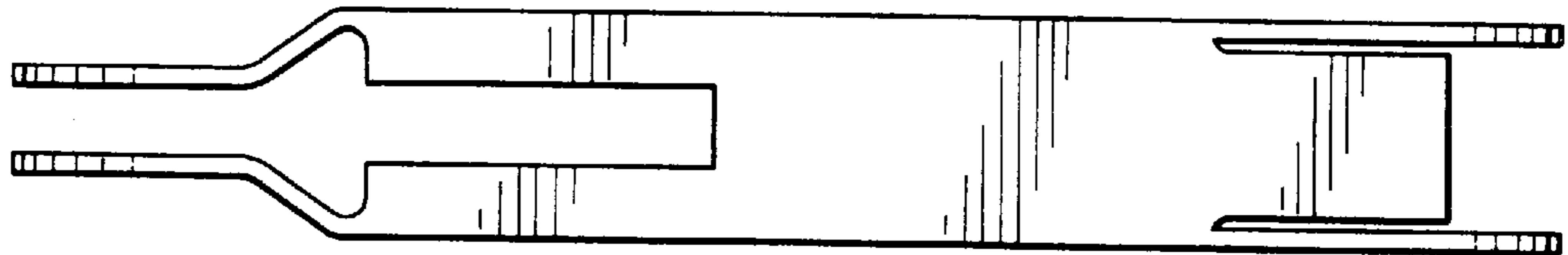


FIG. 5

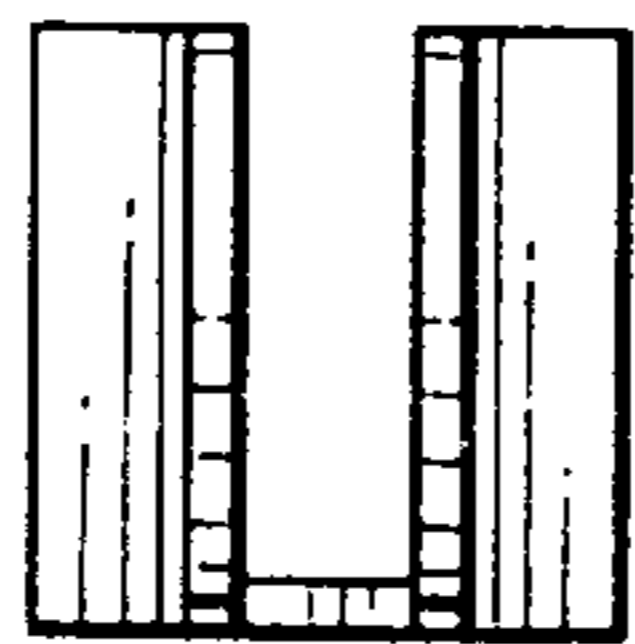


FIG. 6

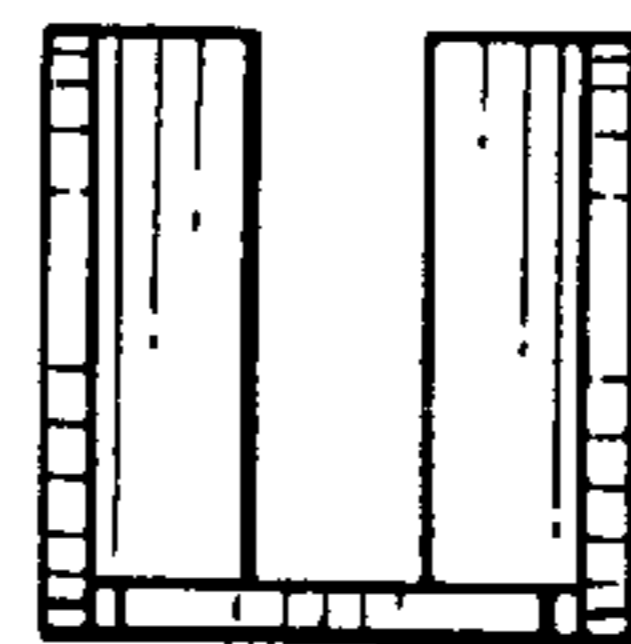


FIG. 7