



US00D417599S

United States Patent [19]
Wolfe et al.

[11] **Patent Number: Des. 417,599**

[45] **Date of Patent: ** Dec. 14, 1999**

[54] **MACHINE VISE**

OTHER PUBLICATIONS

[75] Inventors: **Ingo E. Wolfe**, Brooklyn Park; **Leon M. Bernstein**, Minnetonka, both of Minn.

“Kurt Manufacturing Workhold Catalog”, published Jan. 1966.

[73] Assignee: **Kurt Manufacturing Company, Inc.**, Minneapolis, Minn.

Primary Examiner—Antoine Duval Davis
Attorney, Agent, or Firm—Westman, Champlin & Kelly, P.A.

[**] Term: **14 Years**

[57] **CLAIM**

[21] Appl. No.: **29/093,154**

The ornamental design for a machine vise, as shown and described.

[22] Filed: **Sep. 4, 1998**

DESCRIPTION

[51] **LOC (6) Cl.** **08-05**

FIG. 1 is a front perspective view of a machine vise embodying our new design;

[52] **U.S. Cl.** **D8/74**

FIG. 2 is a rear perspective view thereof;

[58] **Field of Search** D8/74; 269/256–270

FIG. 3 is a top plan view thereof;

FIG. 4 is a side elevational view thereof;

FIG. 5 is a front view thereof;

FIG. 6 is a rear view thereof;

FIG. 7 is a bottom plan view thereof; and,

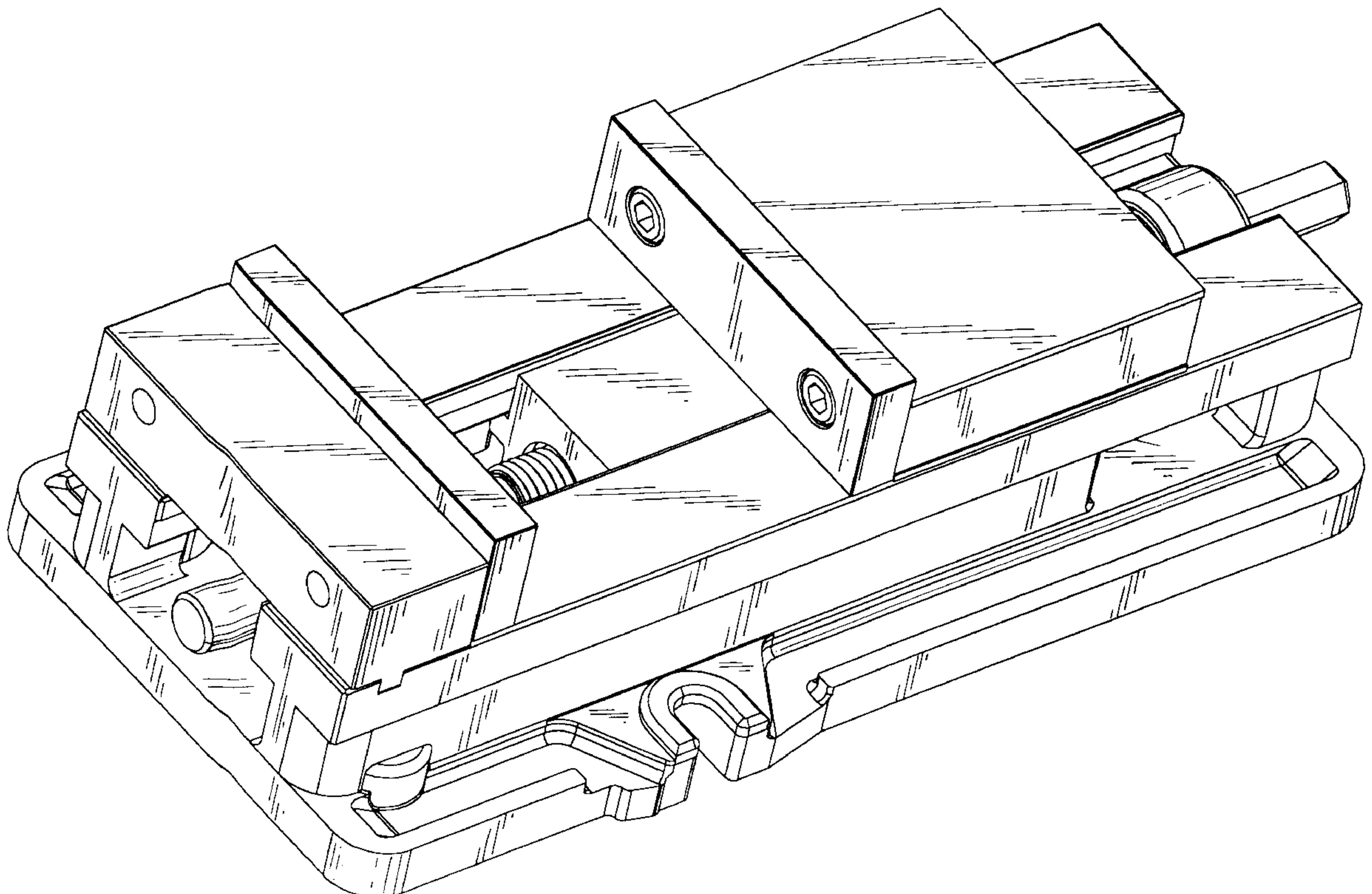
FIG. 8 is a bottom, rear perspective view thereof, the side not shown is a mirror image of the side shown.

[56] **References Cited**

U.S. PATENT DOCUMENTS

2,499,124	2/1950	Zipp et al.	81/17
4,098,500	7/1978	Lenz	269/136
4,383,682	5/1983	Feinberg	269/258 X
5,163,662	11/1992	Bernstein	269/136
5,505,437	4/1996	Durfee, Jr.	269/43

1 Claim, 8 Drawing Sheets



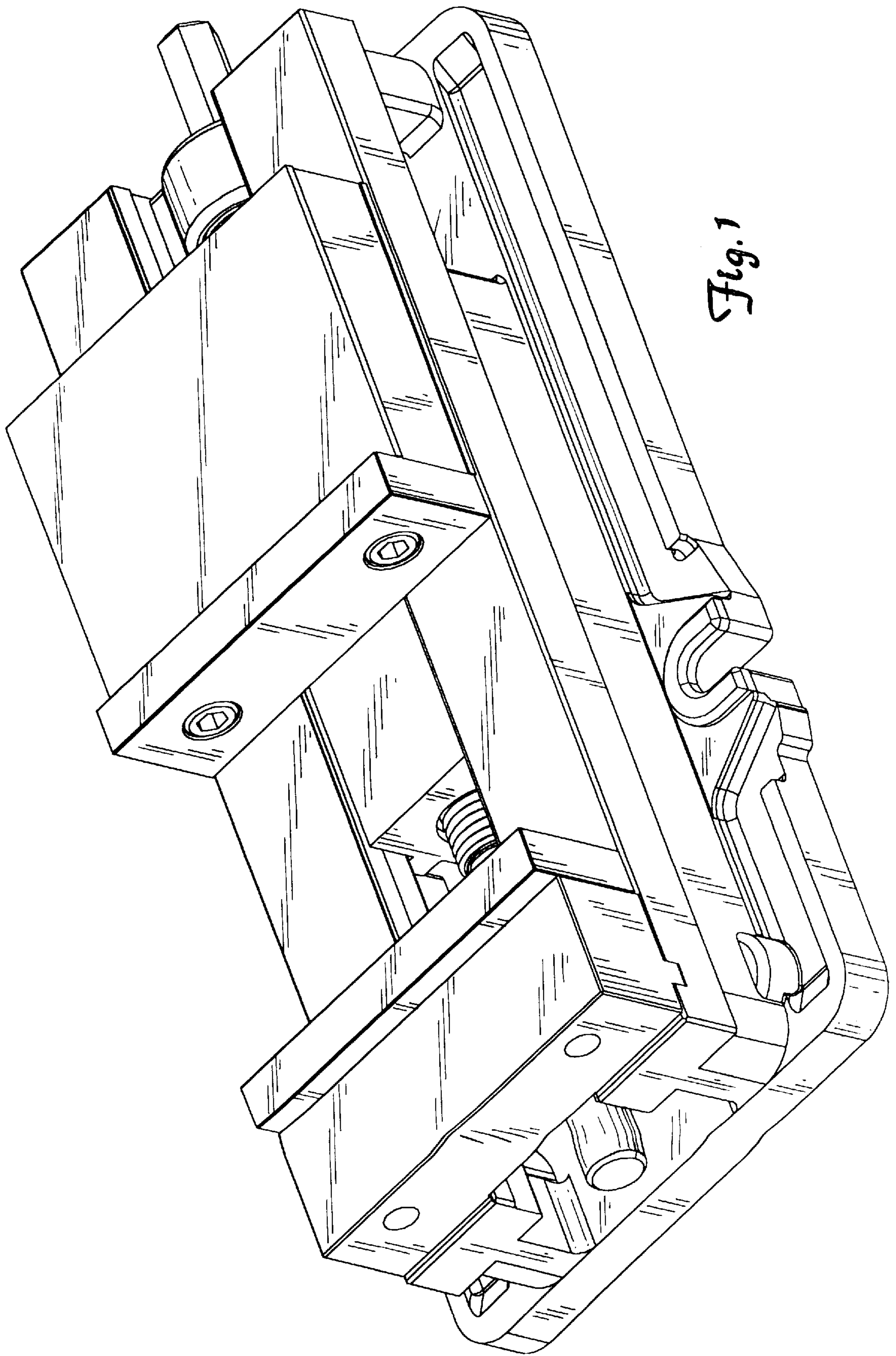
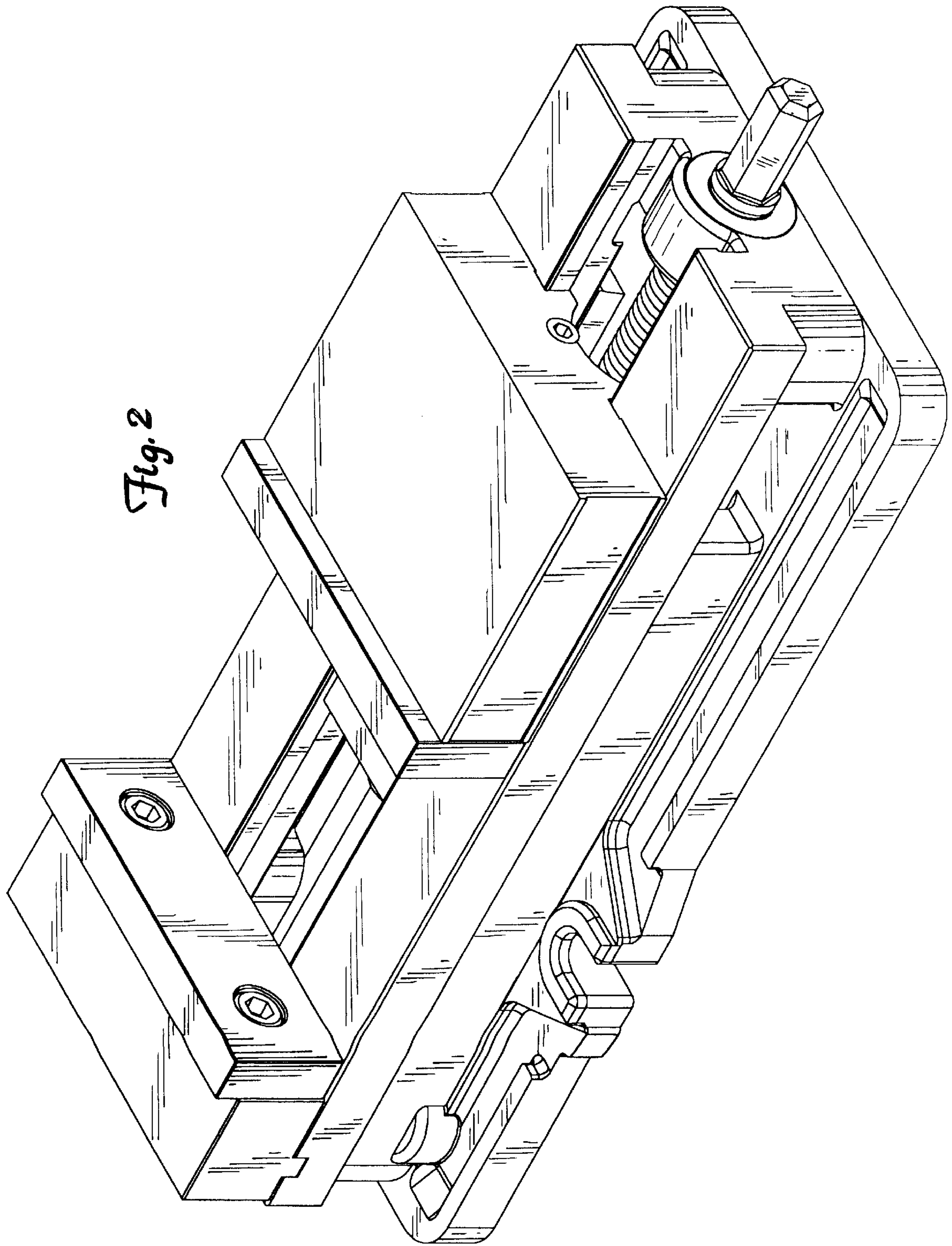


Fig. 1

Fig. 2



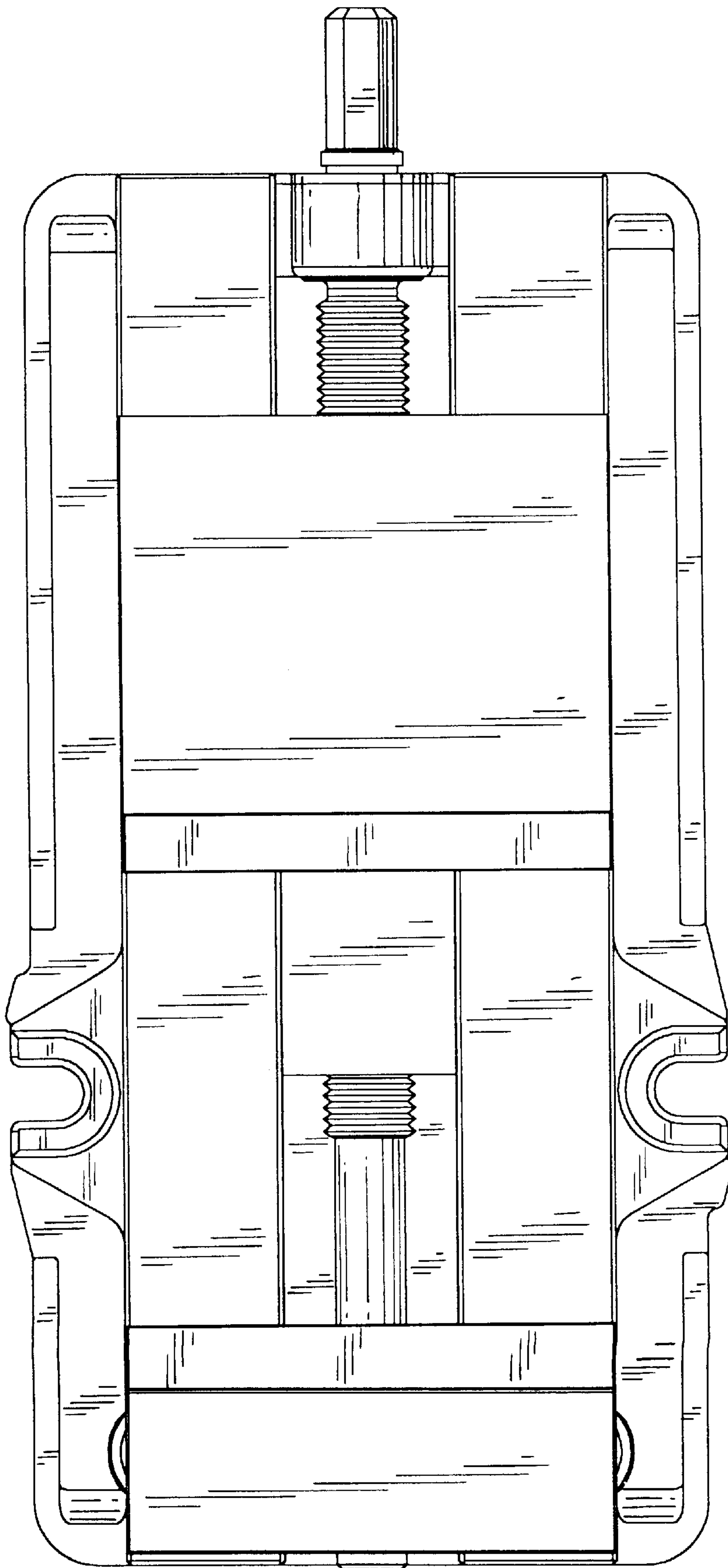


Fig. 3

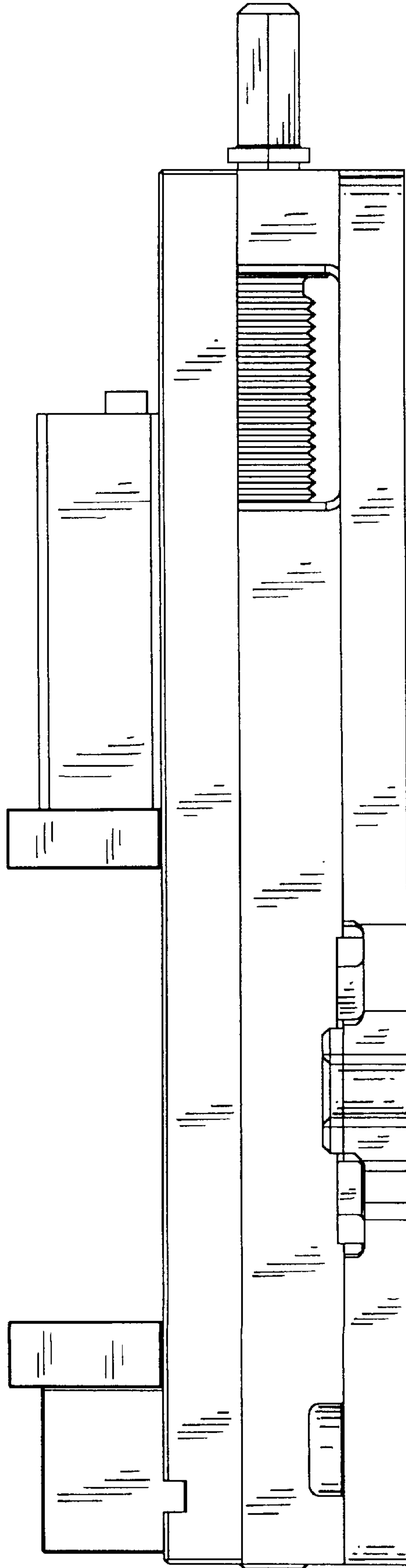


Fig. 4

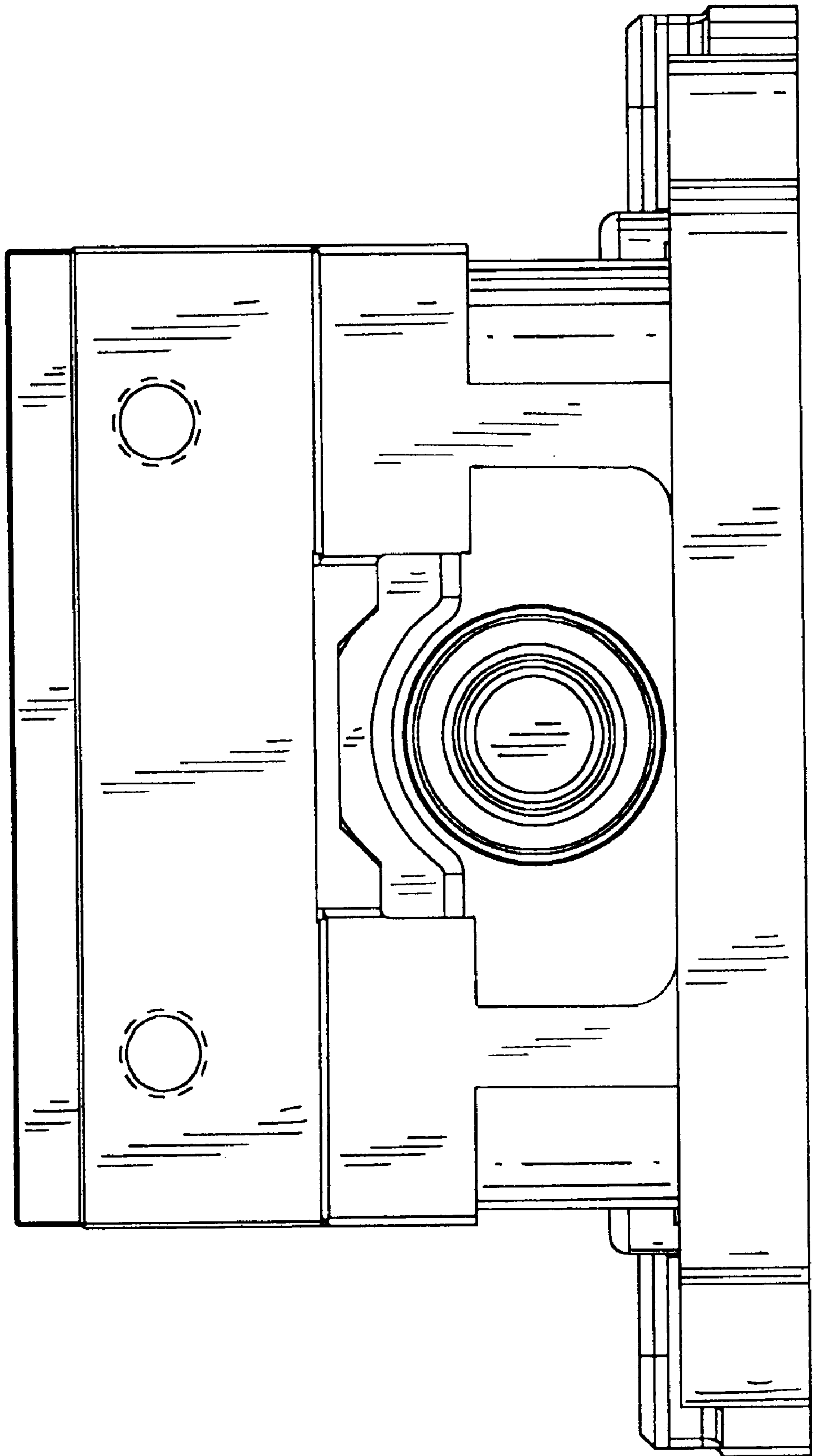


Fig. 5

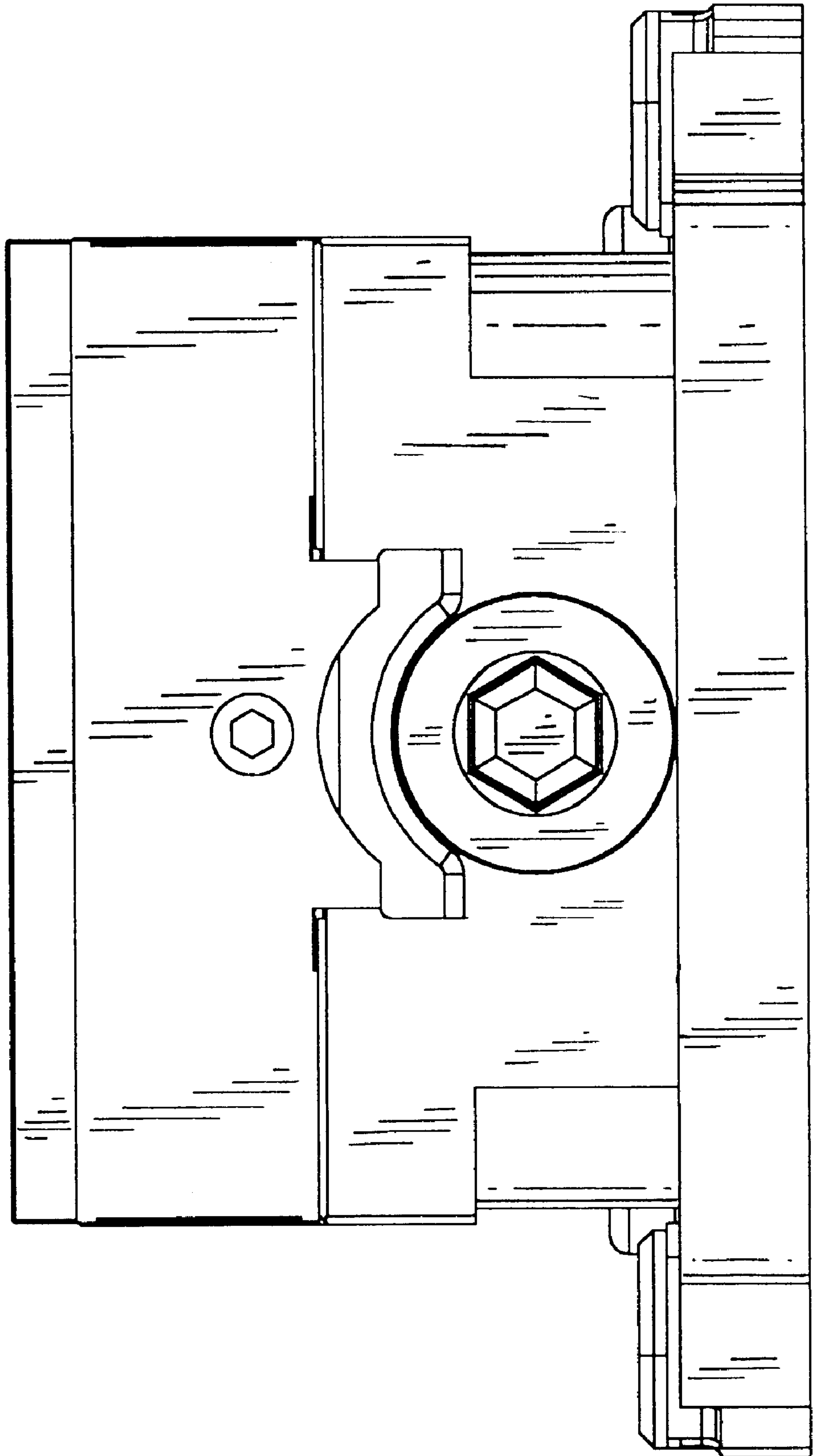


Fig. 6

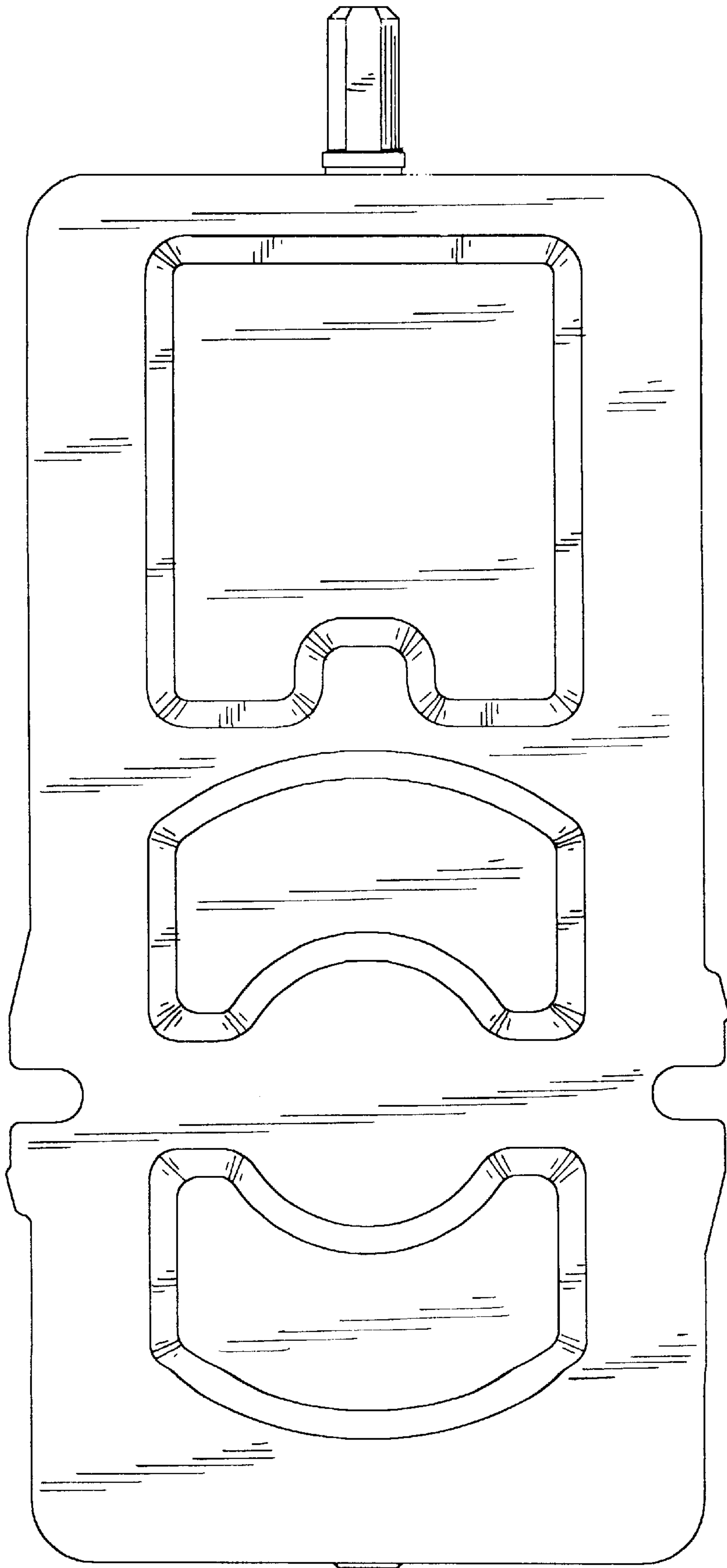


Fig. 7

Fig. 8

