



US00D417595S

United States Patent [19]
Mittmann

[11] **Patent Number: Des. 417,595**

[45] **Date of Patent: ** Dec. 14, 1999**

[54] **REAR PORTION OF A TONGS HANDLE**

[75] Inventor: **Jeffrey C. Mittmann**, Plymouth, Wis.

[73] Assignee: **Vollrath Company, L.L.C.**, Sheboygan, Wis.

[**] Term: **14 Years**

[21] Appl. No.: **29/081,641**

[22] Filed: **Jan. 7, 1998**

[51] **LOC (6) Cl. 07-06**

[52] **U.S. Cl. D7/683**

[58] **Field of Search D7/686, 683; 294/99.2, 294/16, 106, 8.5, 11; 30/142**

2,601,766	7/1952	Riddel et al. .	
2,839,325	6/1958	Jeanfavre .	
2,864,645	12/1958	Meldrum	D7/686 X
3,264,909	8/1966	Block .	
3,501,191	3/1970	Darr .	
3,522,827	8/1970	Muller .	
4,126,962	11/1978	Polcaro .	
4,728,139	3/1988	Oretti .	
4,768,288	9/1988	Culbertson .	
5,044,058	9/1991	Voss .	
5,054,835	10/1991	Loechel et al. .	
5,121,956	6/1992	Horkey .	
5,421,630	6/1995	Sergi et al. .	
5,447,351	9/1995	Klunder .	
5,649,728	7/1997	Warthen .	

Primary Examiner—Mitchell Siegel
Attorney, Agent, or Firm—Foley & Lardner

[56] **References Cited**

U.S. PATENT DOCUMENTS

D. 141,461	6/1945	Wysznski .
D. 171,988	4/1954	Rossmann .
D. 203,455	1/1966	Bruns .
220,390	10/1879	Koska .
297,008	8/1884	Sofy .
828,625	8/1906	Ogg .
832,317	10/1906	Hinds .
1,521,689	1/1925	King .
1,540,694	6/1925	Herrick .
1,806,441	5/1931	Bauer et al. .
2,455,623	12/1948	Stone .
2,482,180	9/1949	Heard .
2,483,985	10/1949	Sonn .
2,541,819	2/1951	Hudson .

[57] **CLAIM**

The ornamental design or rear portion of a tongs handle, as shown and described.

DESCRIPTION

FIG. 1 is a top perspective view of rear portion of a tongs handle;
FIG. 2 is a front elevational view thereof, the rear elevational view being a mirror image of the front view shown;
FIG. 3 is a right end elevational view thereof;
FIG. 4 is a left end elevational view thereof; and,
FIG. 5 is a top plan view thereof; the bottom plan view being a mirror image of the top view shown.

1 Claim, 2 Drawing Sheets

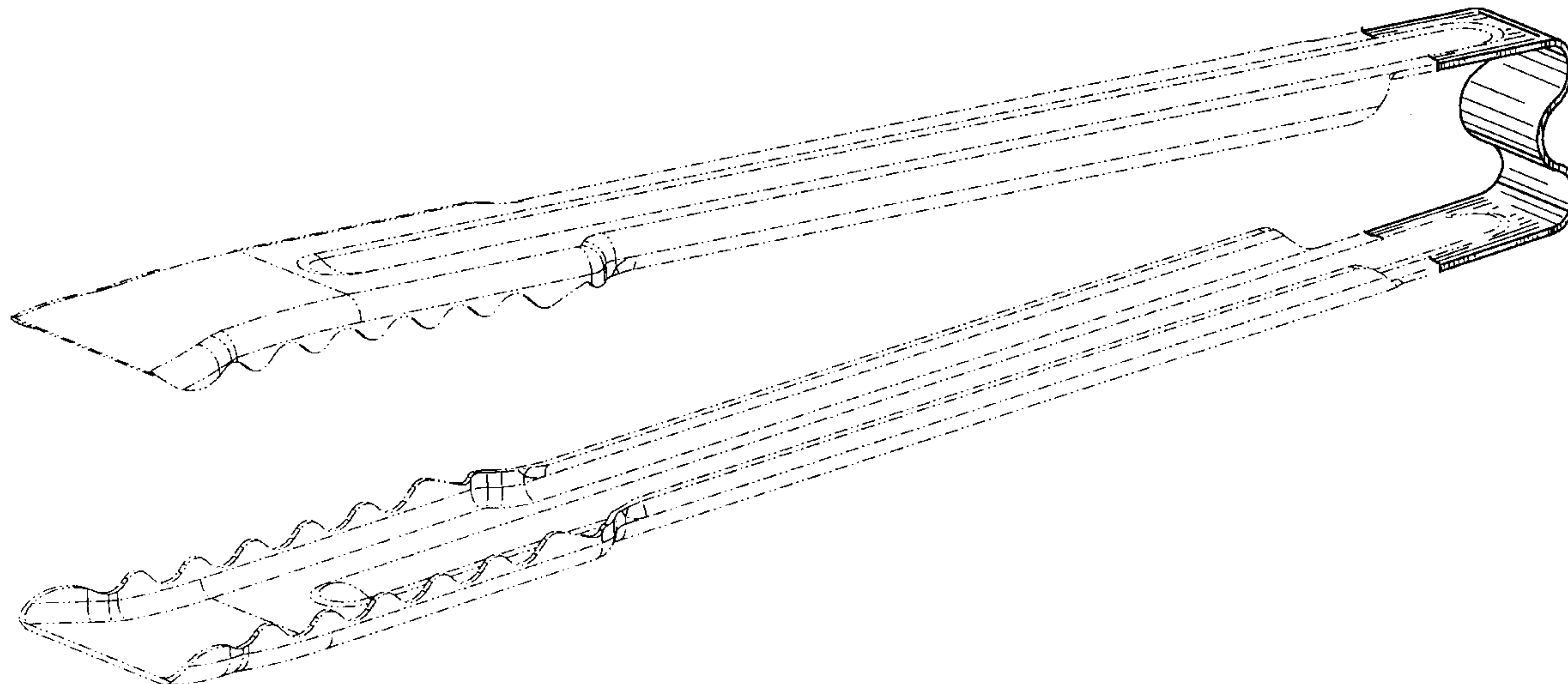


FIG. 1

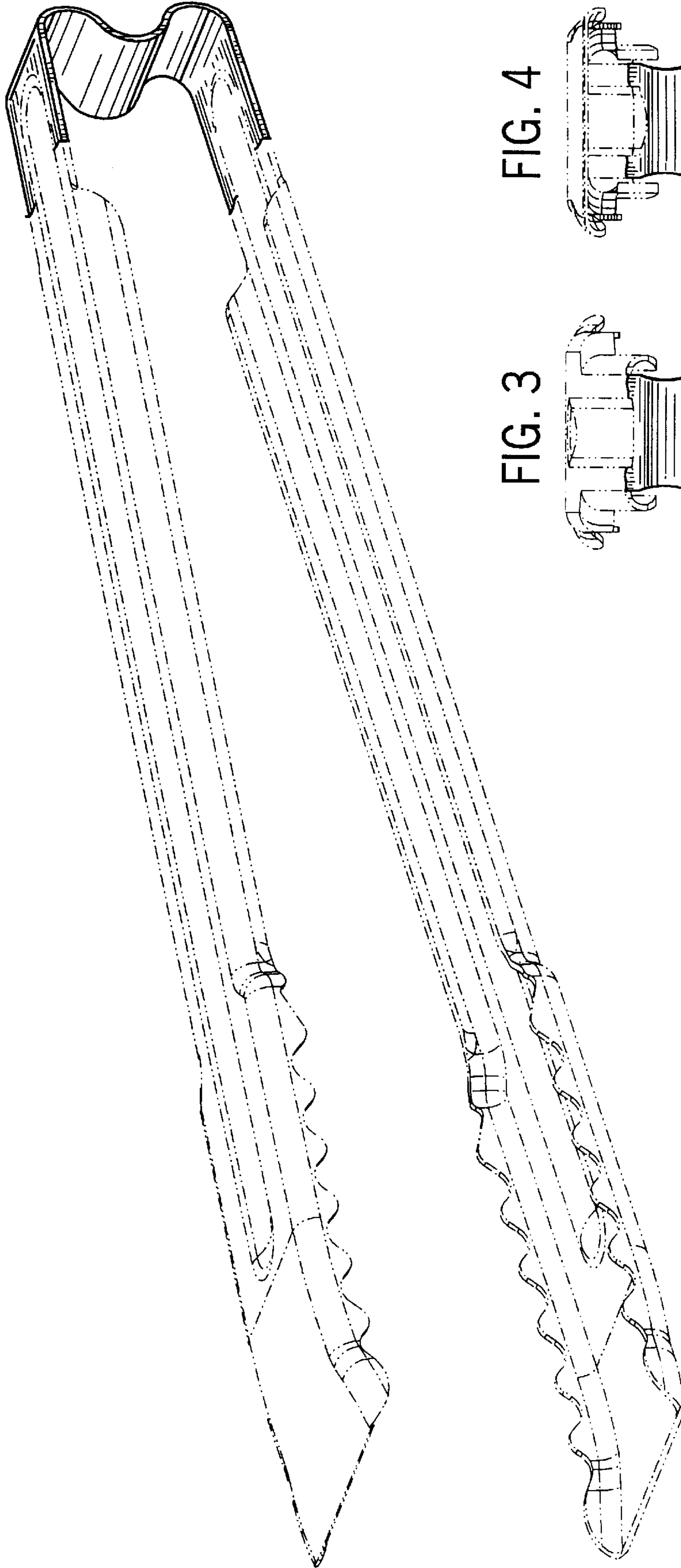


FIG. 3

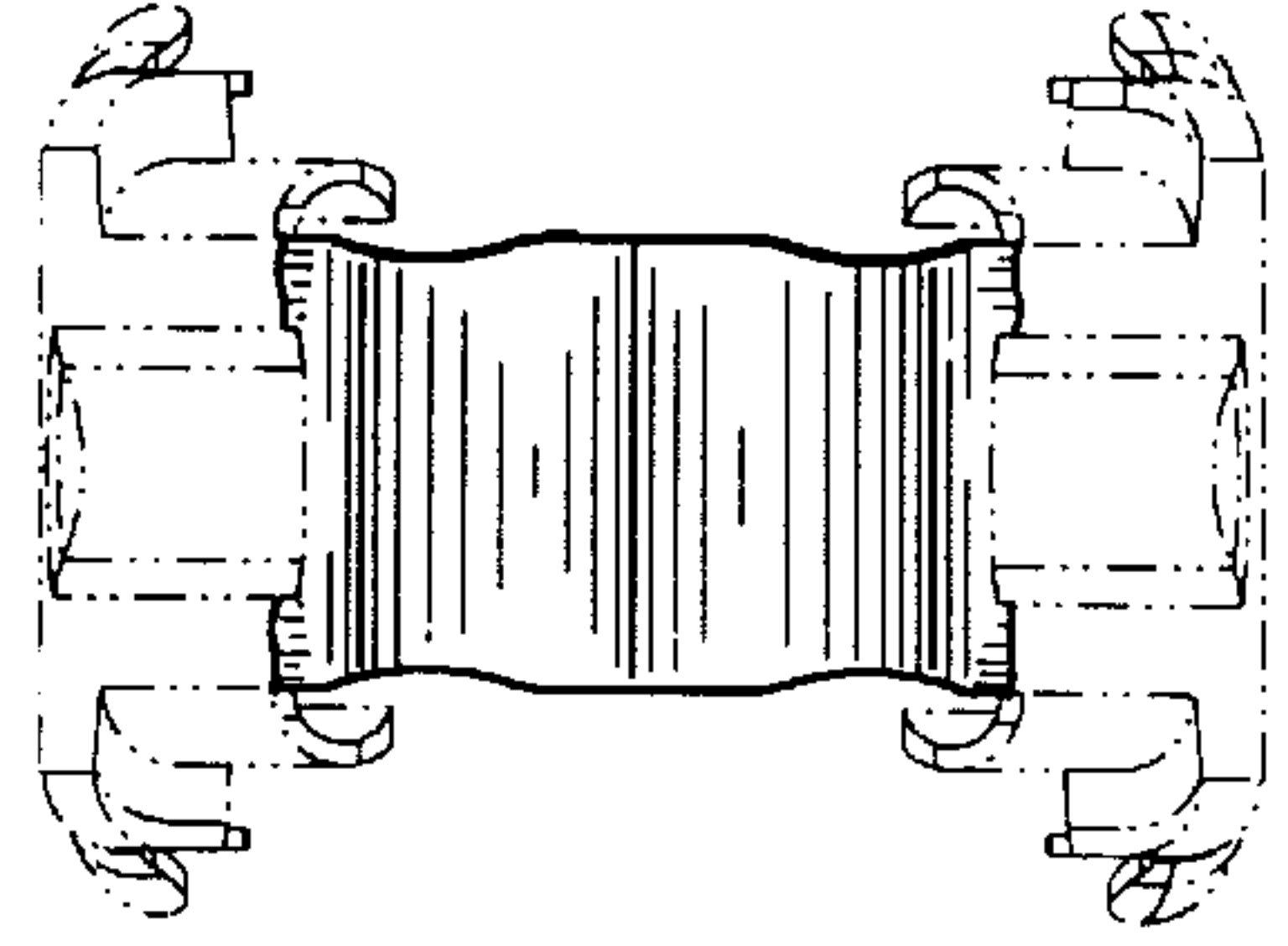


FIG. 4

