



US00D417589S

United States Patent [19] Parker

[11] Patent Number: Des. 417,589

[45] Date of Patent: ** Dec. 14, 1999

[54] **COMBINED TUMBLER AND LID**

[75] Inventor: **Lynn Parker**, Garland, Tex.

[73] Assignee: **Thermo-Serve, Inc.**, Dallas, Tex.

[**] Term: **14 Years**

[21] Appl. No.: **29/083,388**

[22] Filed: **Feb. 9, 1998**

[51] **LOC (6) Cl.** **07-01**

[52] **U.S. Cl.** **D7/510; D7/511**

[58] **Field of Search** D7/507, 509, 513,
D7/510, 511, 608, 617, 622, 624, 523,
533, 534, 514, 515, 625, 512, 532; 220/669,
737, 673, 675, 672, 715; 215/227

[56] **References Cited**

U.S. PATENT DOCUMENTS

D. 47,800	9/1915	Pick .	
D. 92,629	6/1934	Solomon .	
D. 108,788	3/1938	Kostello .	
D. 122,393	9/1940	Dreitzer .	
D. 185,780	8/1959	Smithfield	D2/3
D. 245,750	9/1977	Maclean	D7/4
D. 269,316	6/1983	Conti	D7/54
D. 322,218	12/1991	Lynd	D7/511 X
D. 338,714	8/1993	Oliphant et al.	D23/328
D. 371,304	7/1996	Onnewear	D7/511
D. 377,293	1/1997	Husted	D7/510
D. 384,860	10/1997	Trombly	D7/511 X
D. 387,619	12/1997	Gross et al.	D7/510
D. 387,620	12/1997	Trombly	D7/510

D. 399,392	10/1998	Husted	D7/511
D. 407,597	4/1999	Diehl	D7/510 X
1,740,223	12/1929	Burvenick .	
1,756,129	6/1930	Cooke .	
2,036,407	4/1936	Godfrey	215/1
2,276,678	3/1942	Wheeler	215/227
2,899,098	8/1959	Gits	220/15
3,338,467	8/1967	Albert	220/90.4
3,820,692	6/1974	Swett et al.	222/547
3,967,748	7/1976	Albert	220/90.4
3,972,443	8/1976	Albert	220/90.4
4,099,642	7/1978	Nergard	220/715
5,588,561	12/1996	Ness	222/129

FOREIGN PATENT DOCUMENTS

85310012 9/1906 Taiwan .

Primary Examiner—M. N. Pandozzi
Attorney, Agent, or Firm—Gregory M. Howison; Mark W. Handley

[57] **CLAIM**

The ornamental design for “combined tumbler and lid,” as shown as shown and described.

DESCRIPTION

FIG. 1 is a top view of a combined tumbler and lid showing my new design;
FIG. 2 is a front elevation view thereof, which is the same as the rear elevation view thereof;
FIG. 3 is a right elevation view thereof;
FIG. 4 is a left elevation view thereof; and,
FIG. 5 is a bottom view thereof.

1 Claim, 2 Drawing Sheets

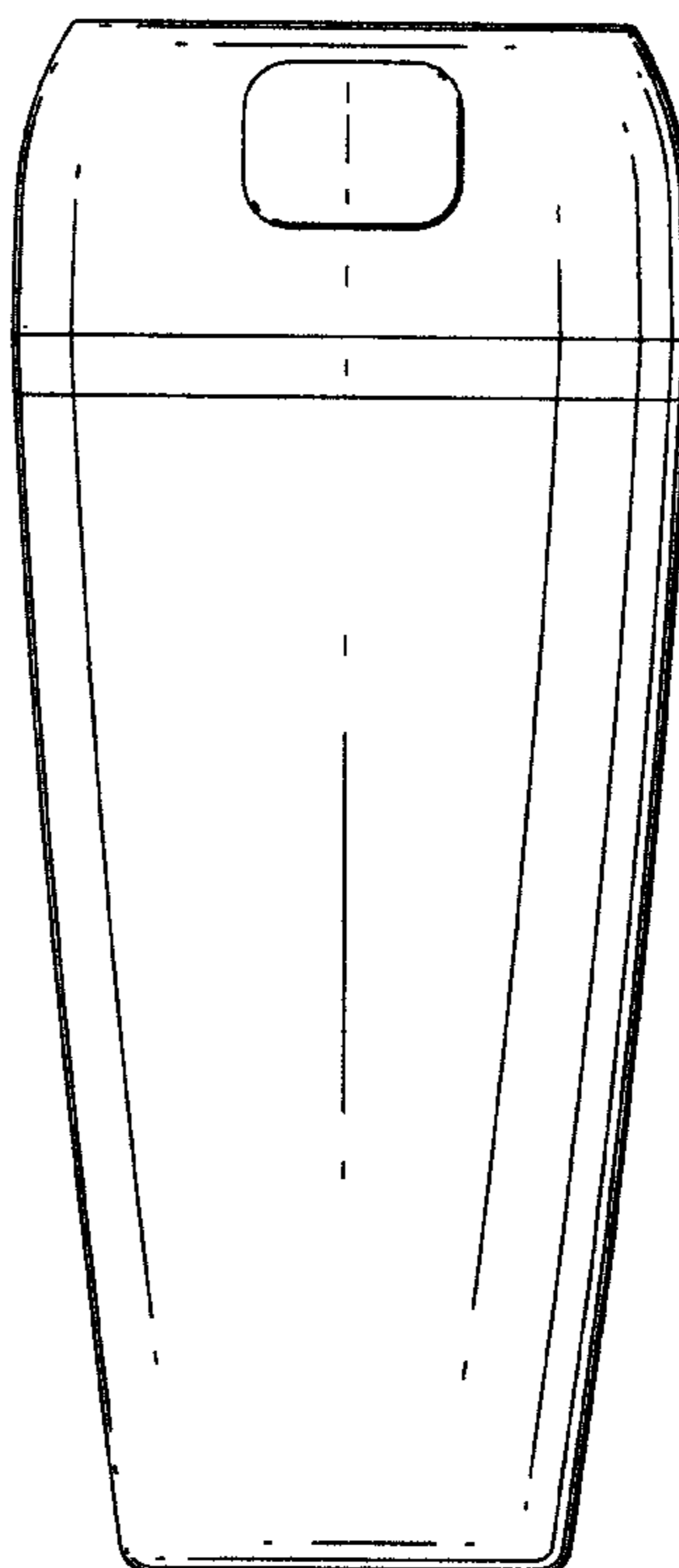
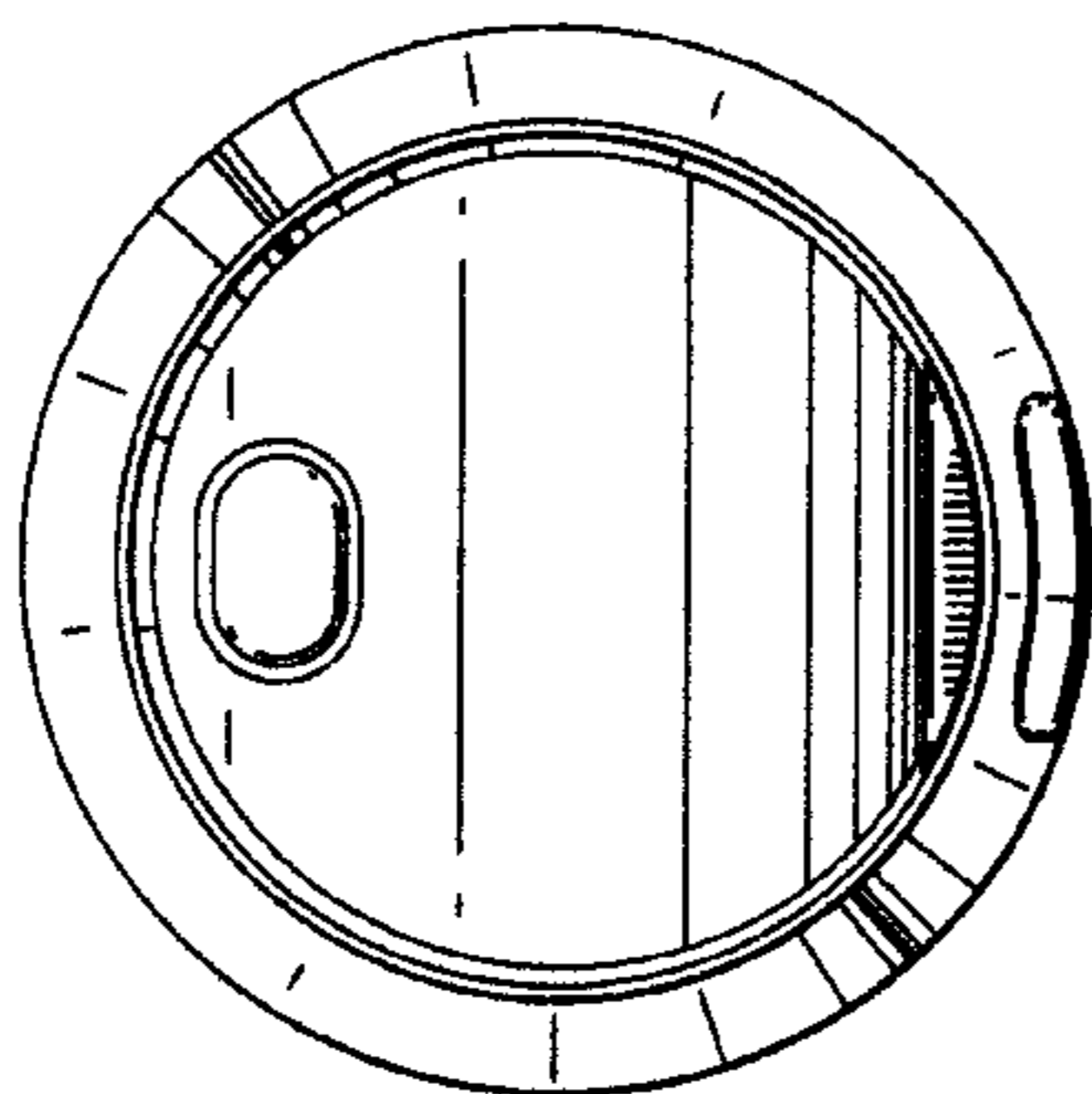


FIG. 1

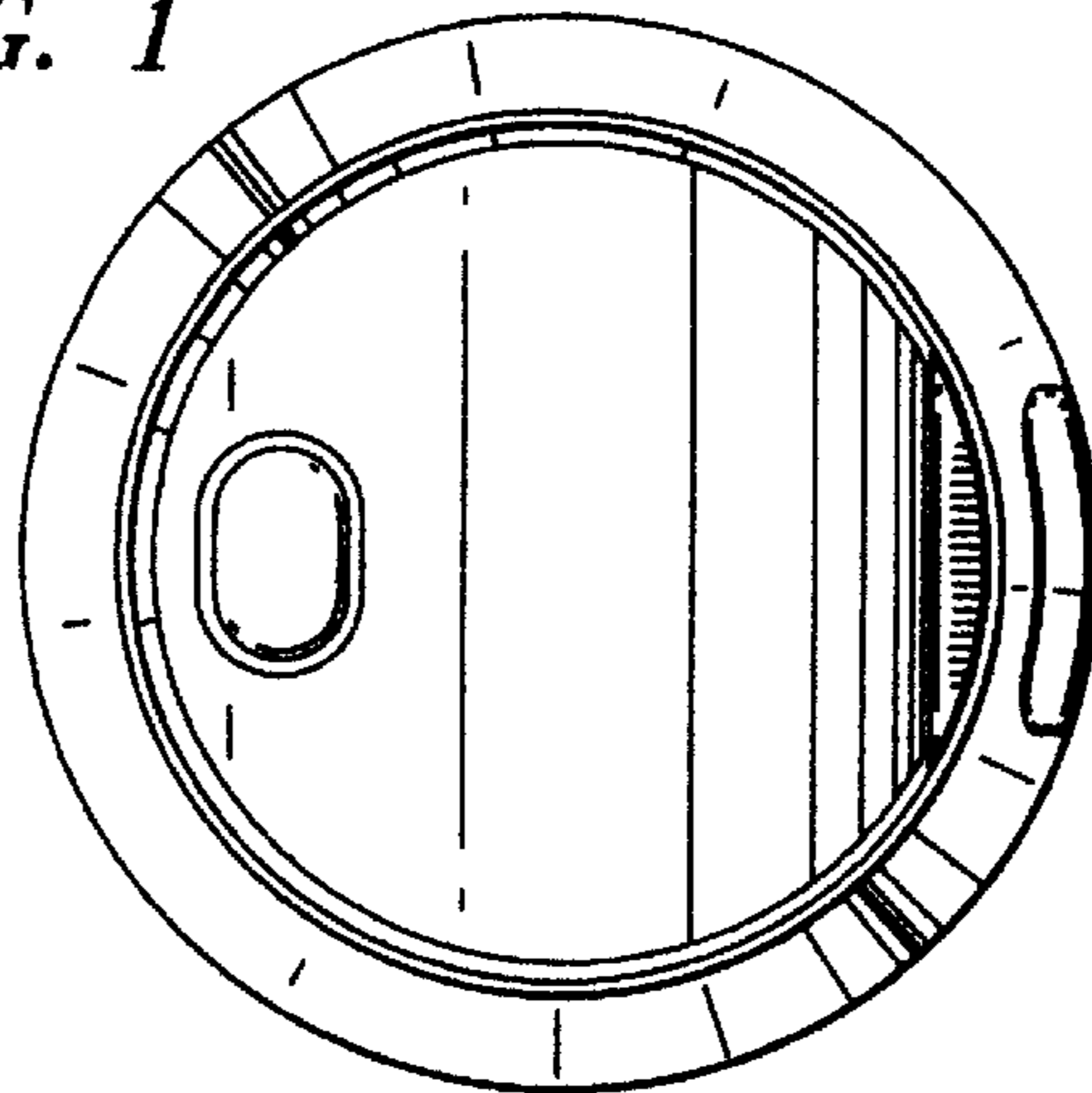


FIG. 2

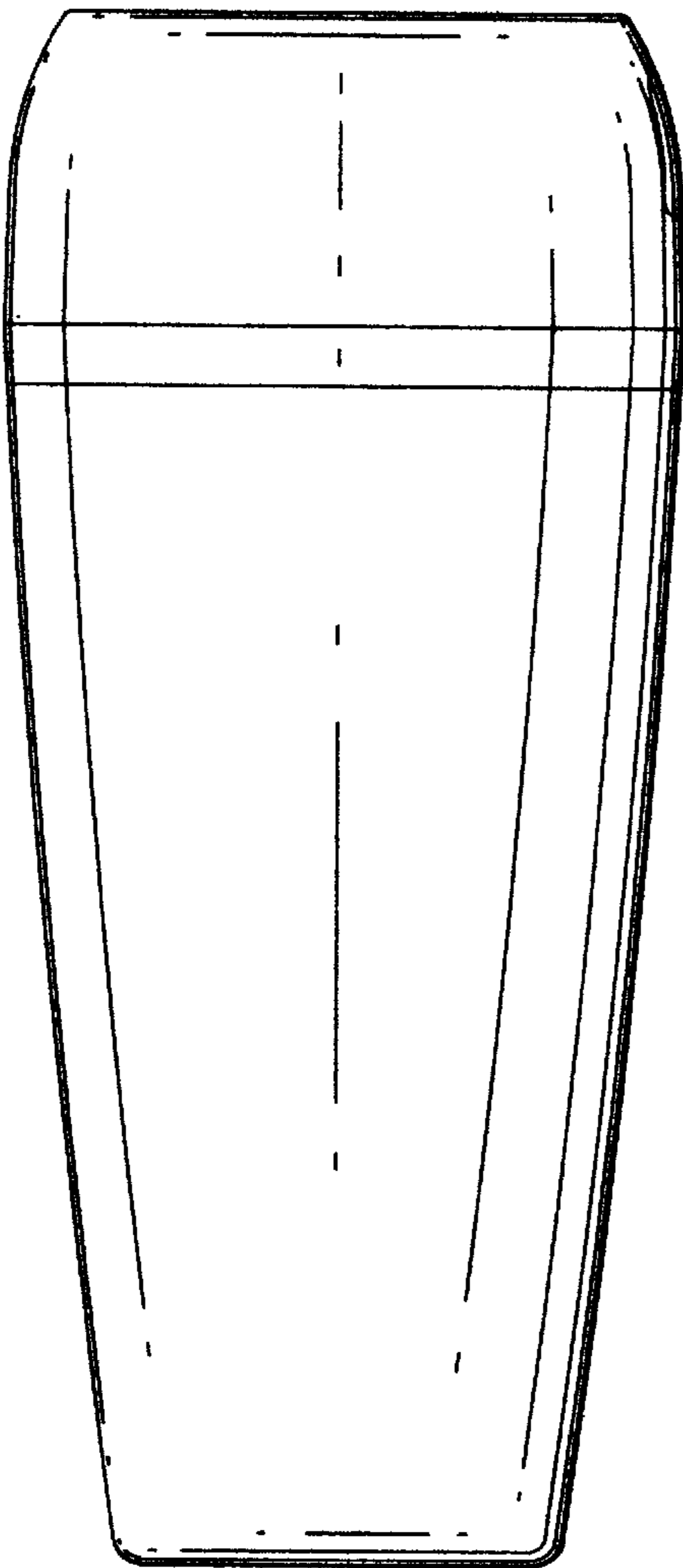


FIG. 3

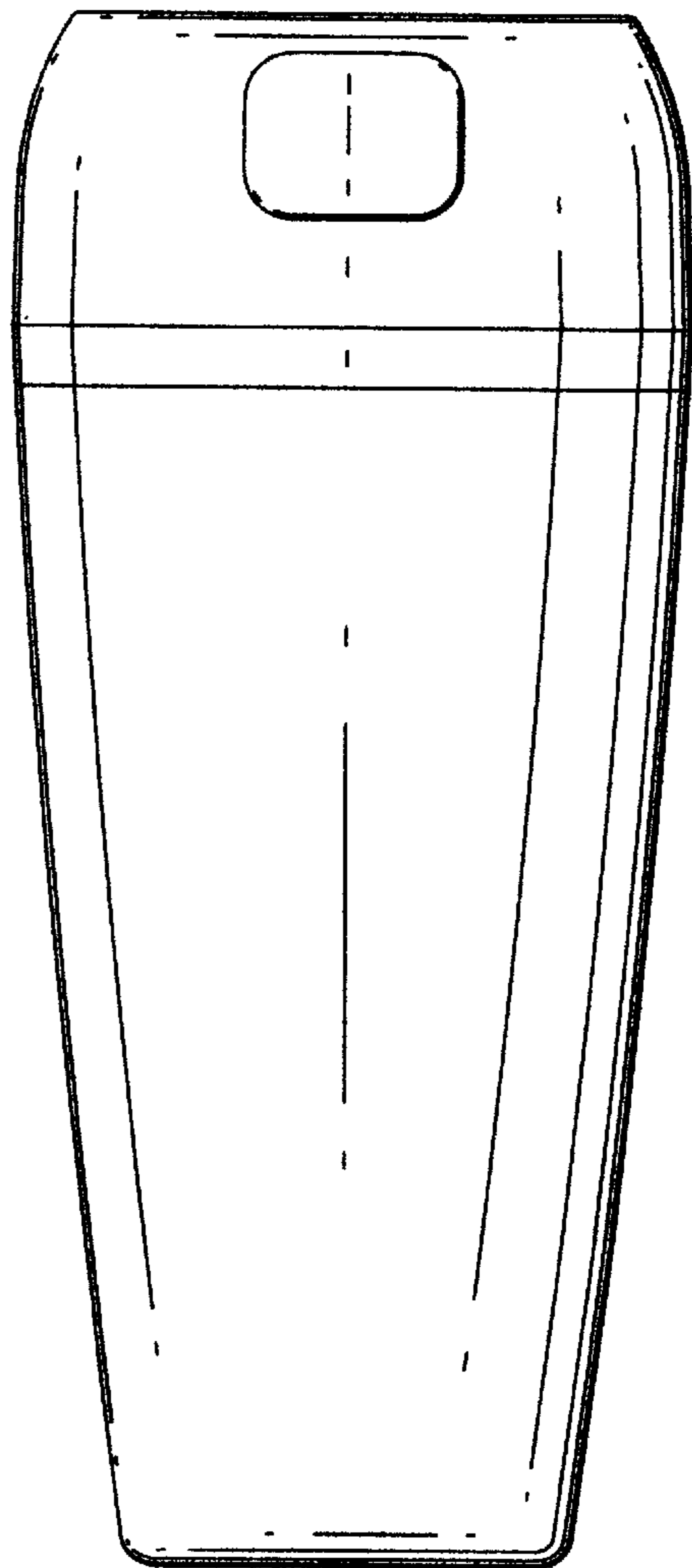


FIG. 4

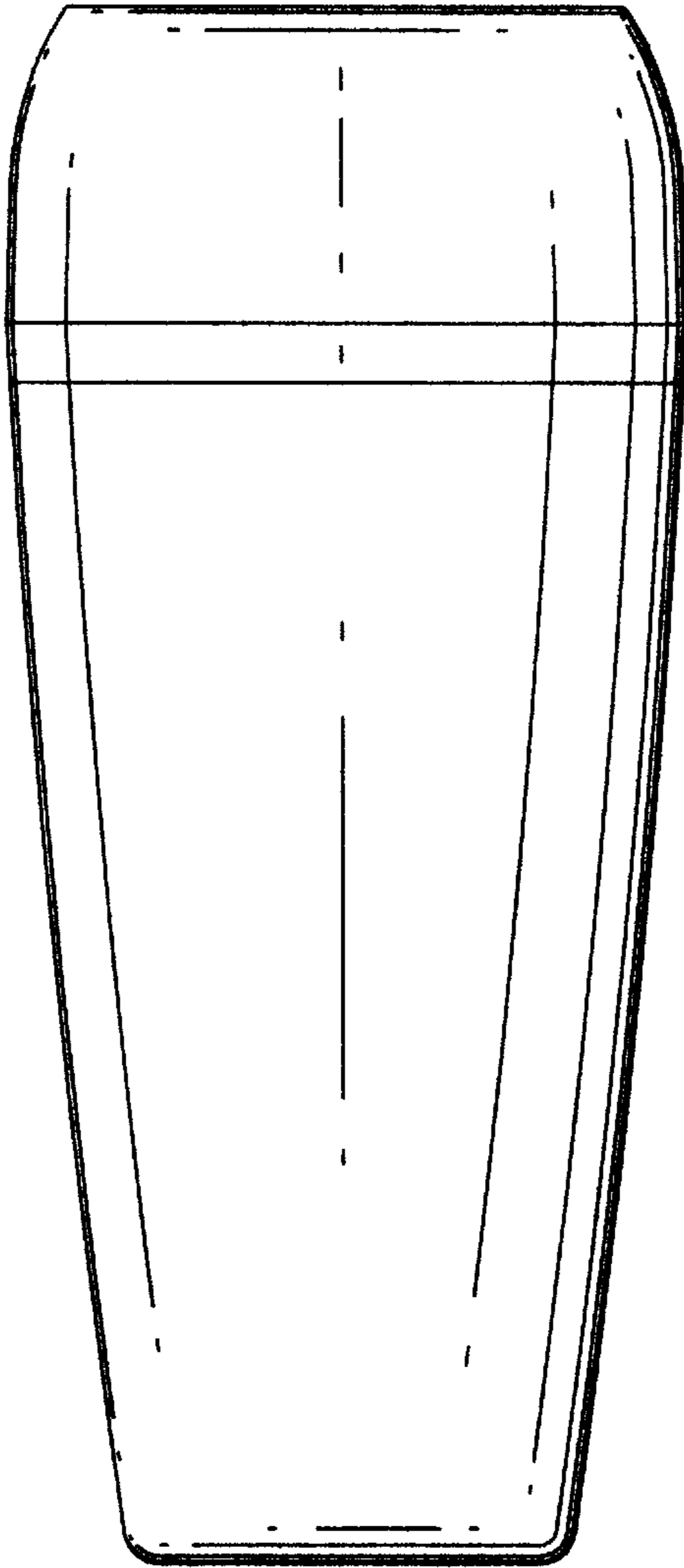


FIG. 5

