



US00D417587S

United States Patent [19]

Wagner et al.

[11] Patent Number: **Des. 417,587**

[45] Date of Patent: **** Dec. 14, 1999**

[54] TOP CASTING FOR BARBECUE GRILL

[75] Inventors: **Wesley J. Wagner**, Columbus, Ga.;
Ken Richied, Dayton, Ohio; **Gary Torkington**, Florenceville; **Sam Zaidspiner**, Lawrenceville, both of Ga.

[73] Assignee: **W.C. Bradley Company**, Columbus, Ga.

[**] Term: **14 Years**

[21] Appl. No.: **29/074,812**

[22] Filed: **Aug. 8, 1997**

[51] LOC (6) Cl. **07-02**

[52] U.S. Cl. **D7/402**

[58] Field of Search D7/332-338, 402-404,
D7/409; 126/25 R, 25 A, 25 AA, 26-27,
29-30, 9 R, 41 R, 40, 50, 245, 38; 99/482

[56] **References Cited**

U.S. PATENT DOCUMENTS

D. 219,081 10/1970 Koziol D7/335

D. 219,629 12/1970 Koziol D7/334
D. 287,214 12/1986 Koziol D7/332
D. 287,215 12/1986 Koziol D7/332
D. 359,877 7/1995 Koziol D7/332
5,483,947 1/1996 Giebel et al. 126/41 R

Primary Examiner—Ruth McInroy
Attorney, Agent, or Firm—Thomas, Kayden, Horstemeyer & Risley, LLP

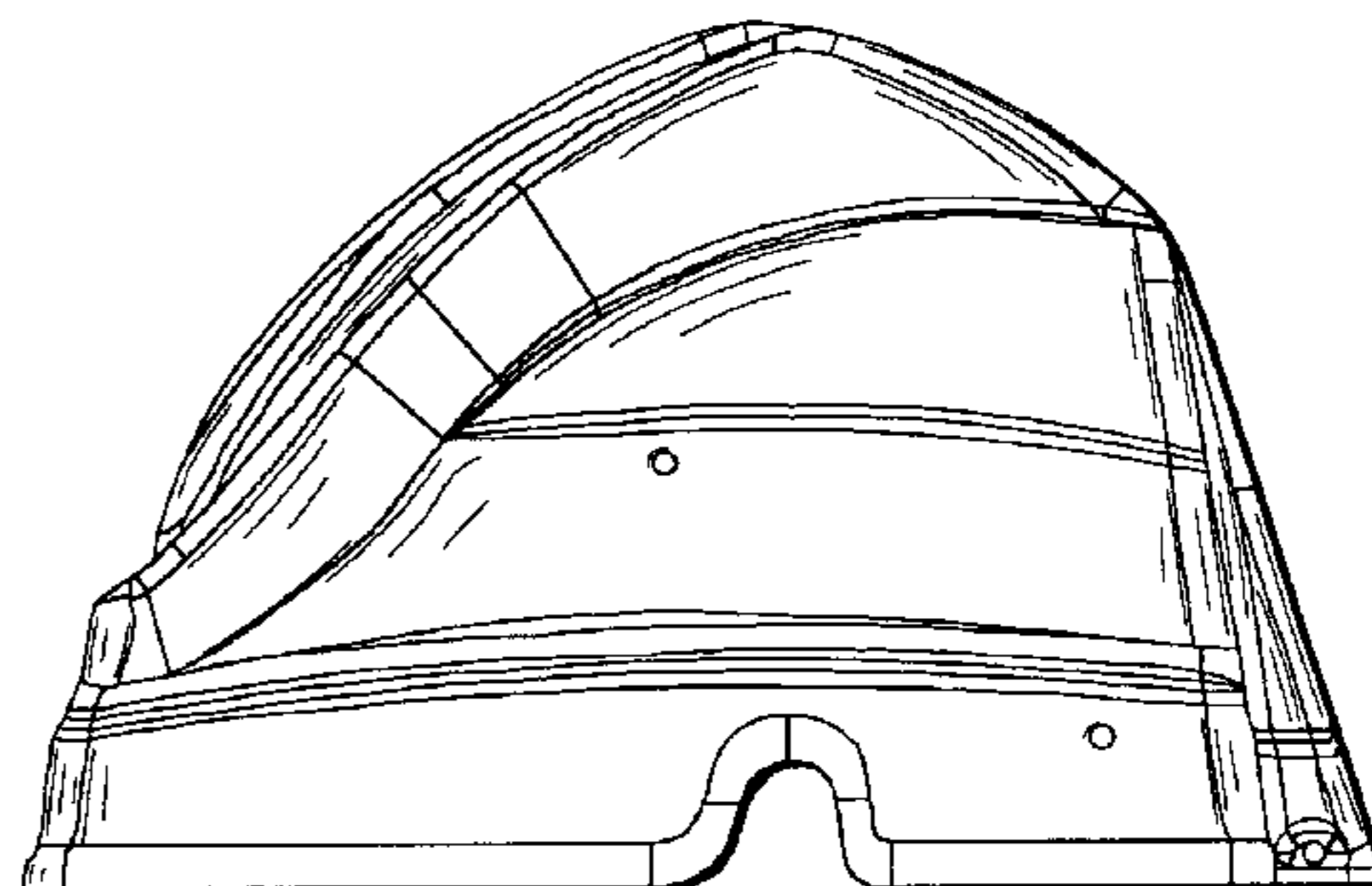
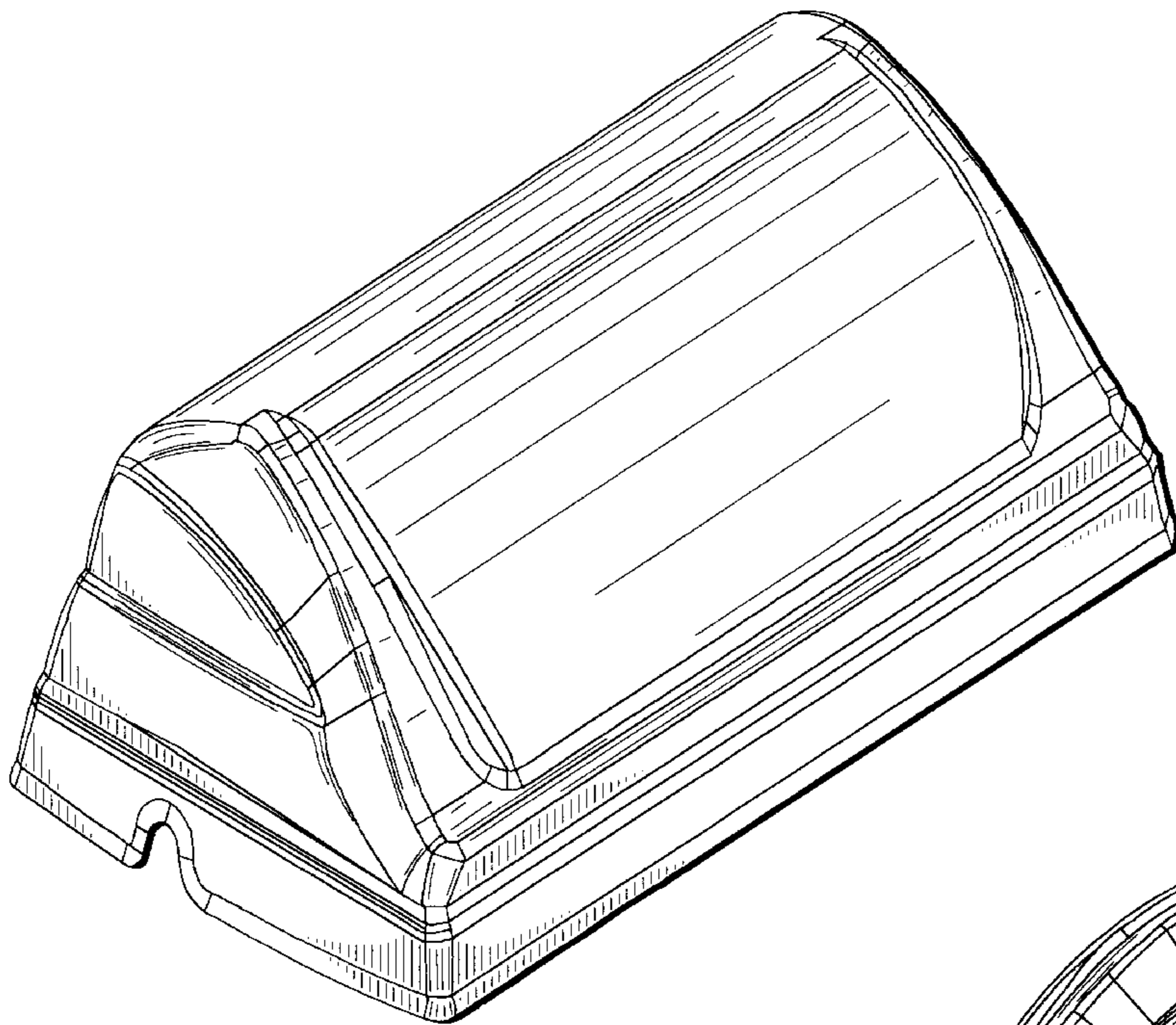
[57] **CLAIM**

The ornamental design for a top casting for barbecue grill, as shown and described.

DESCRIPTION

FIG. 1 is a perspective view of a top casting for barbecue grill showing our new design;
FIG. 2 is a front elevational view thereof;
FIG. 3 is a rear elevational view thereof;
FIG. 4 is a right side elevational view thereof;
FIG. 5 is a left side elevational view thereof;
FIG. 6 is a top plan view thereof; and,
FIG. 7 is a bottom plan view thereof.

1 Claim, 3 Drawing Sheets



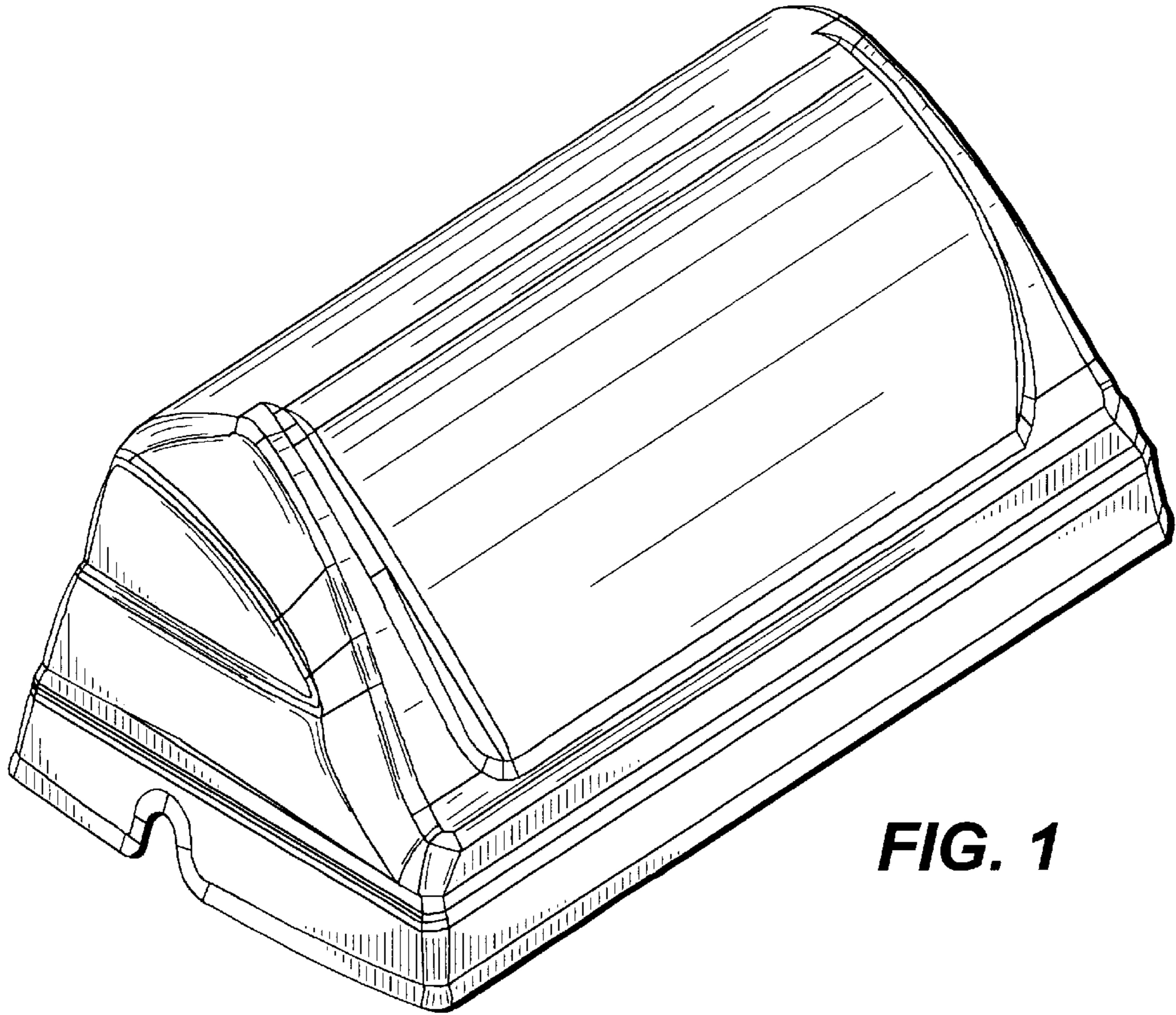


FIG. 1

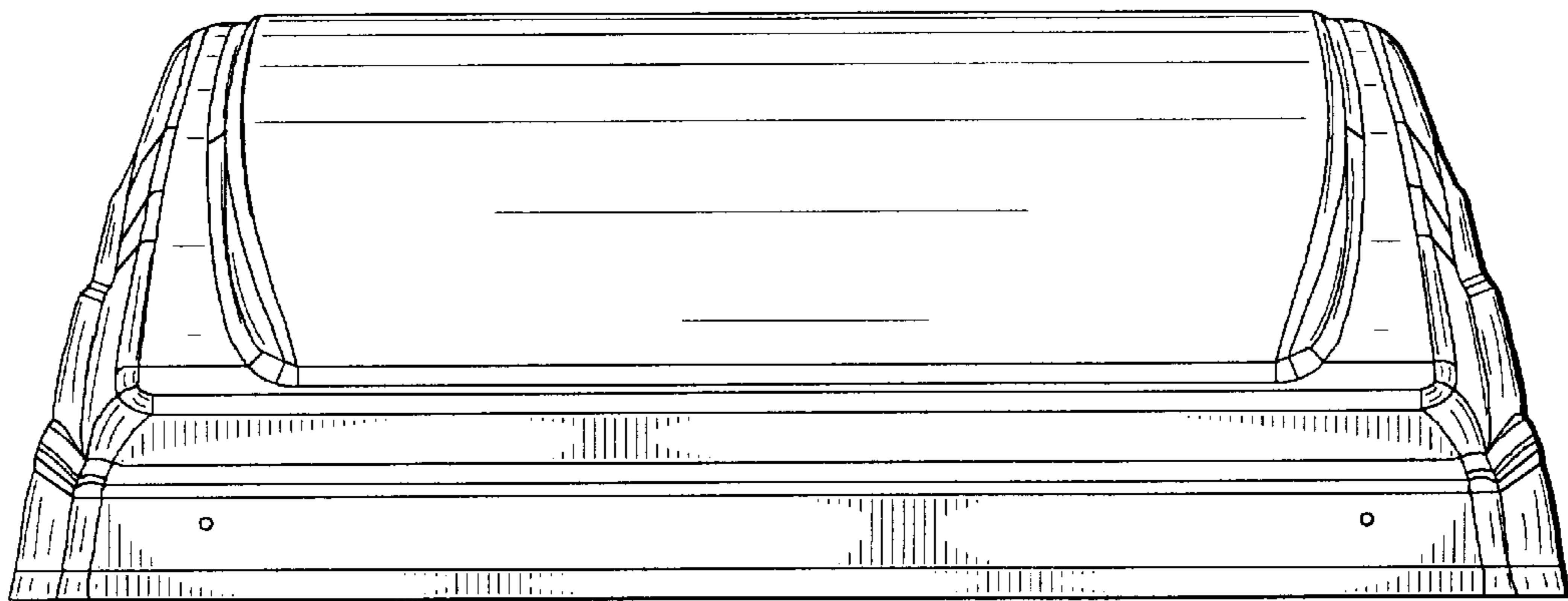


FIG. 2

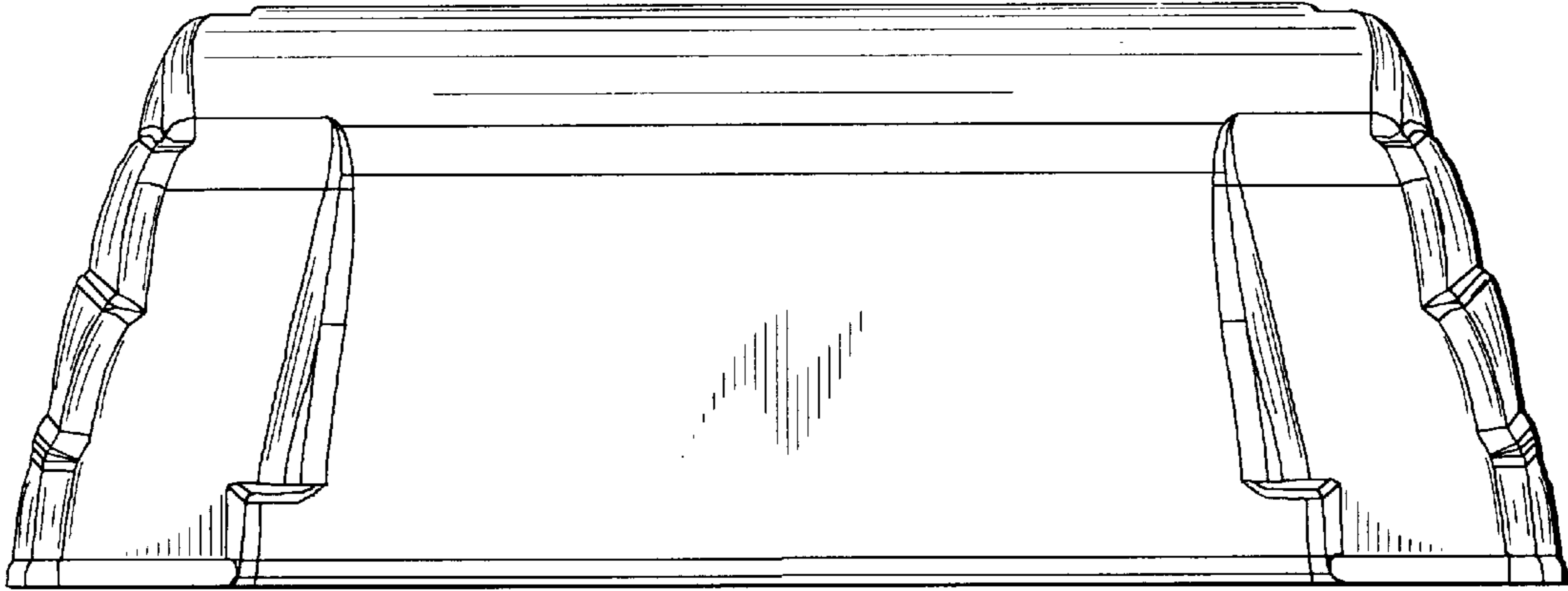


FIG. 3

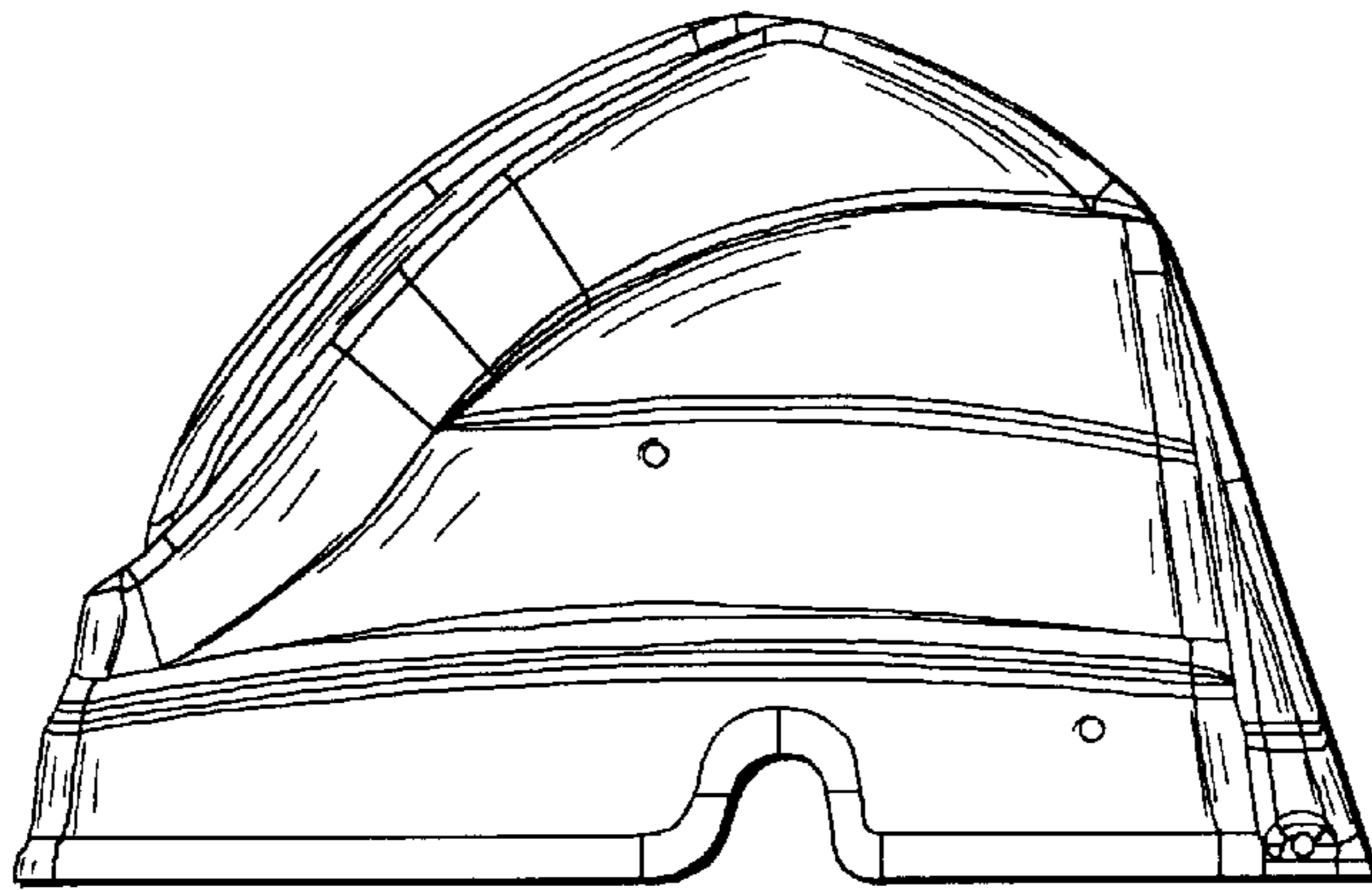


FIG. 4

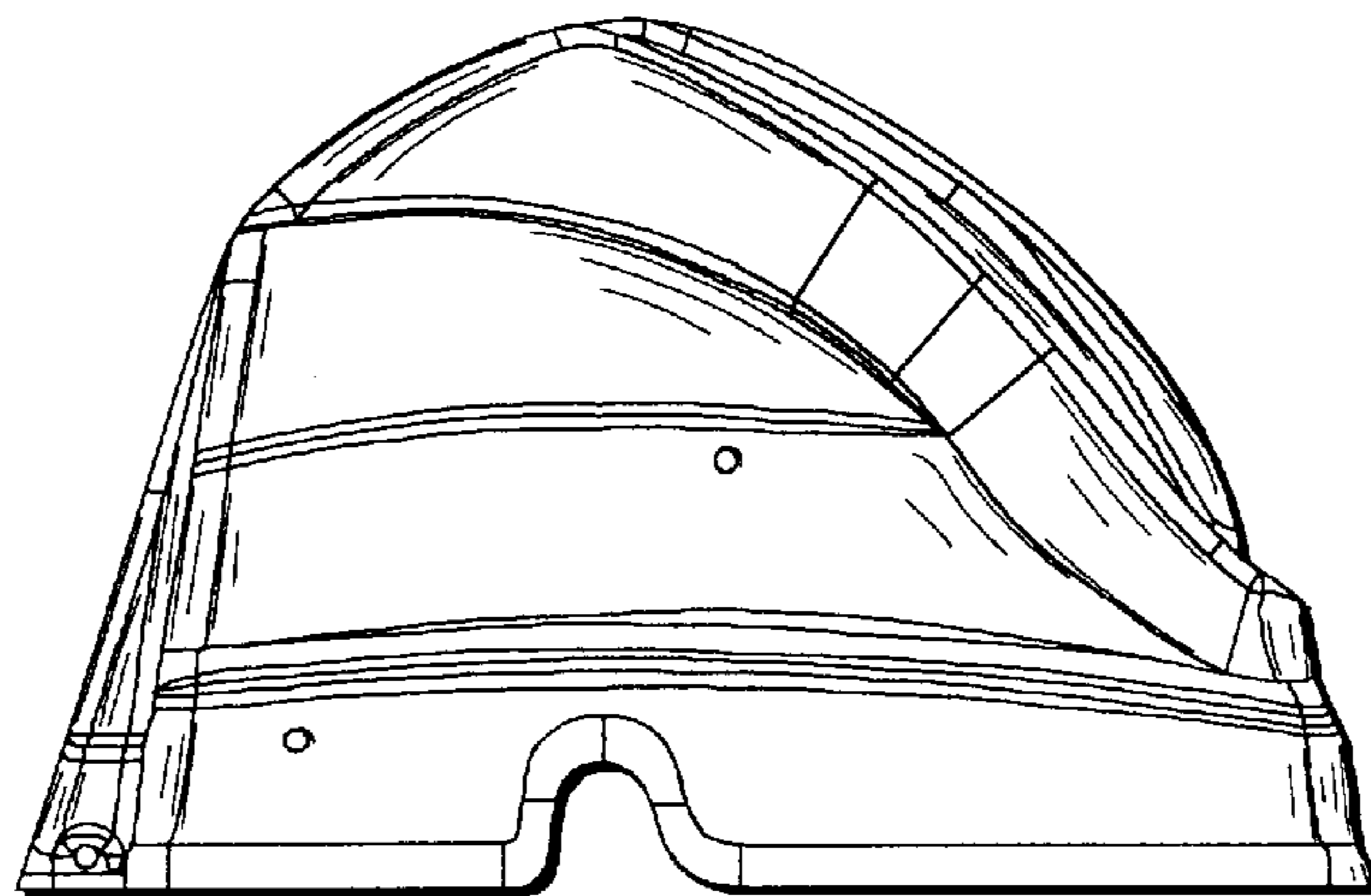


FIG. 5

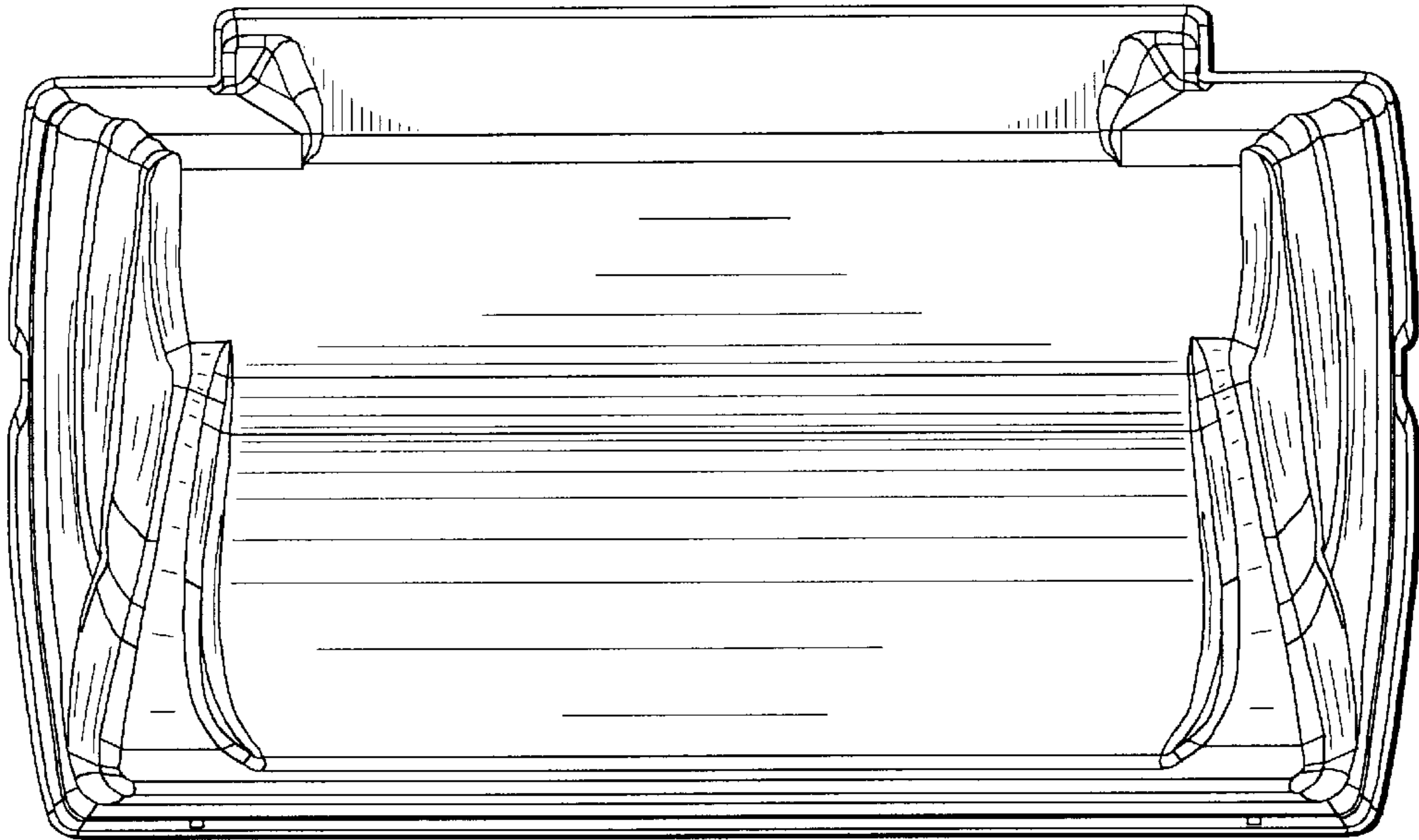


FIG. 6

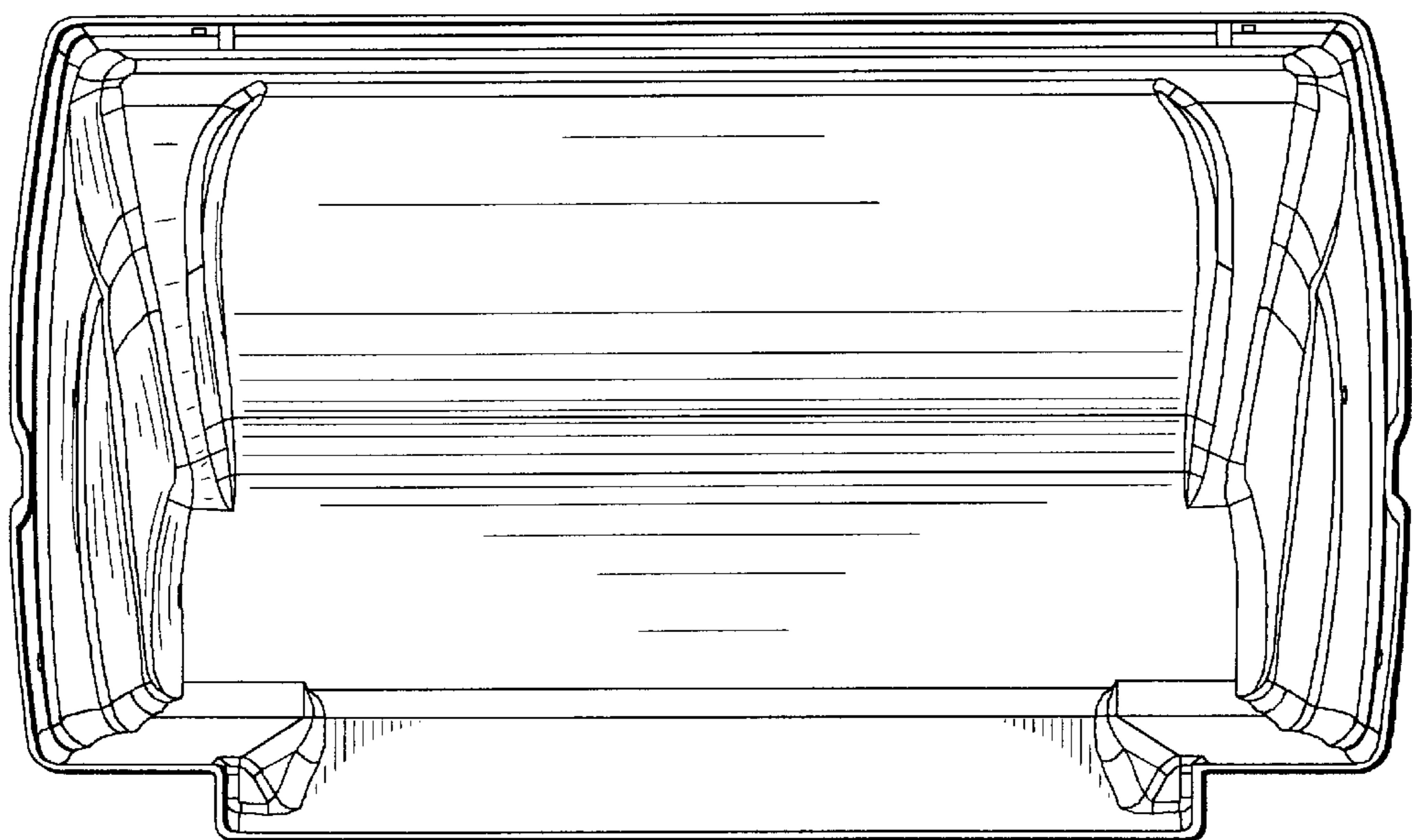


FIG. 7