



US00D417586S

United States Patent [19] Cheng

[11] **Patent Number: Des. 417,586**

[45] **Date of Patent: ** Dec. 14, 1999**

[54] **HANDLE FOR AN ARTICLE OF COOKWARE**

D. 369,718	5/1996	Rohrer	D7/395
2,345,248	3/1944	Farber	220/776
5,388,732	2/1995	Greger	222/572

[76] Inventor: **Stanley Kin-Sui Cheng**, 382 Kwun Tong Road, Kowloon, The Hong Kong Special Administrative Region of the People's Republic of China

Primary Examiner—Caron D. Veynar
Attorney, Agent, or Firm—Blakely Sokoloff Taylor & Zafman

[**] Term: **14 Years**

[57] **CLAIM**

[21] Appl. No.: **29/090,480**

The ornamental design for a handle for an article of cookware, as shown and described,

[22] Filed: **Jul. 9, 1998**

DESCRIPTION

[30] **Foreign Application Priority Data**

Jan. 9, 1998 [GB] United Kingdom 2071586

FIG. 1 is a perspective view of a handle for an article of cookware showing my new design;

[51] **LOC (6) Cl.** **07-02**

FIG. 2 is a top plan view thereof;

[52] **U.S. Cl.** **D7/395**

FIG. 3 is a left side elevational view thereof;

[58] **Field of Search** D7/354-361, 393-395; 16/110 A, 110 R, 114 A, 114 R, 121; D8/107

FIG. 4 is a rear elevational view thereof;

FIG. 5 is a right side elevational view thereof;

FIG. 6 is a bottom plan view thereof; and,

FIG. 7 is a front elevational view thereof.

[56] **References Cited**

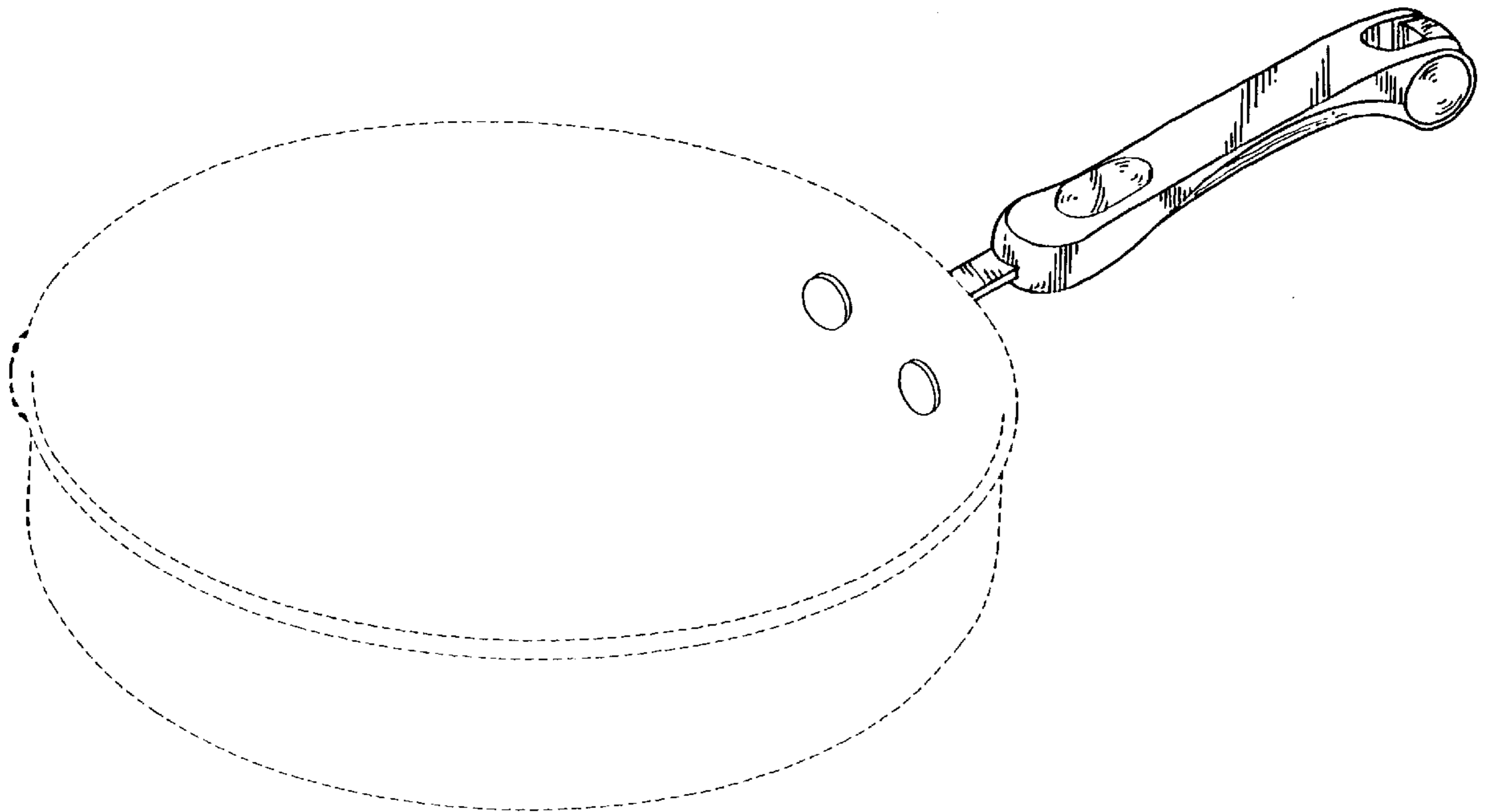
The article of cookware shown in phantom lines depicts the environment of my new design and forms no part of the design of my invention.

U.S. PATENT DOCUMENTS

D. 167,957 10/1952 Simpson D7/395

D. 173,530 11/1954 Guild D7/361

1 Claim, 4 Drawing Sheets



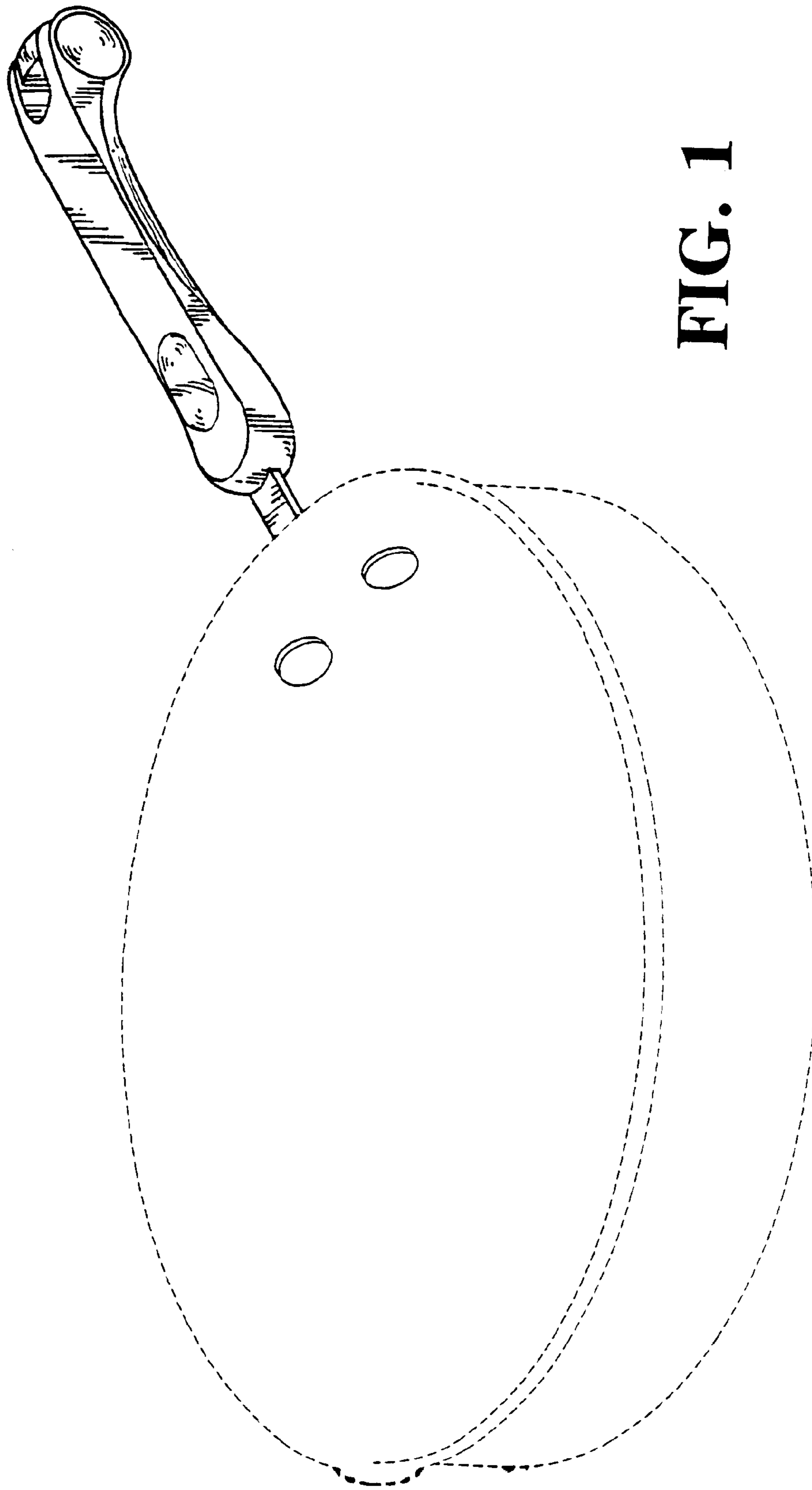


FIG. 1

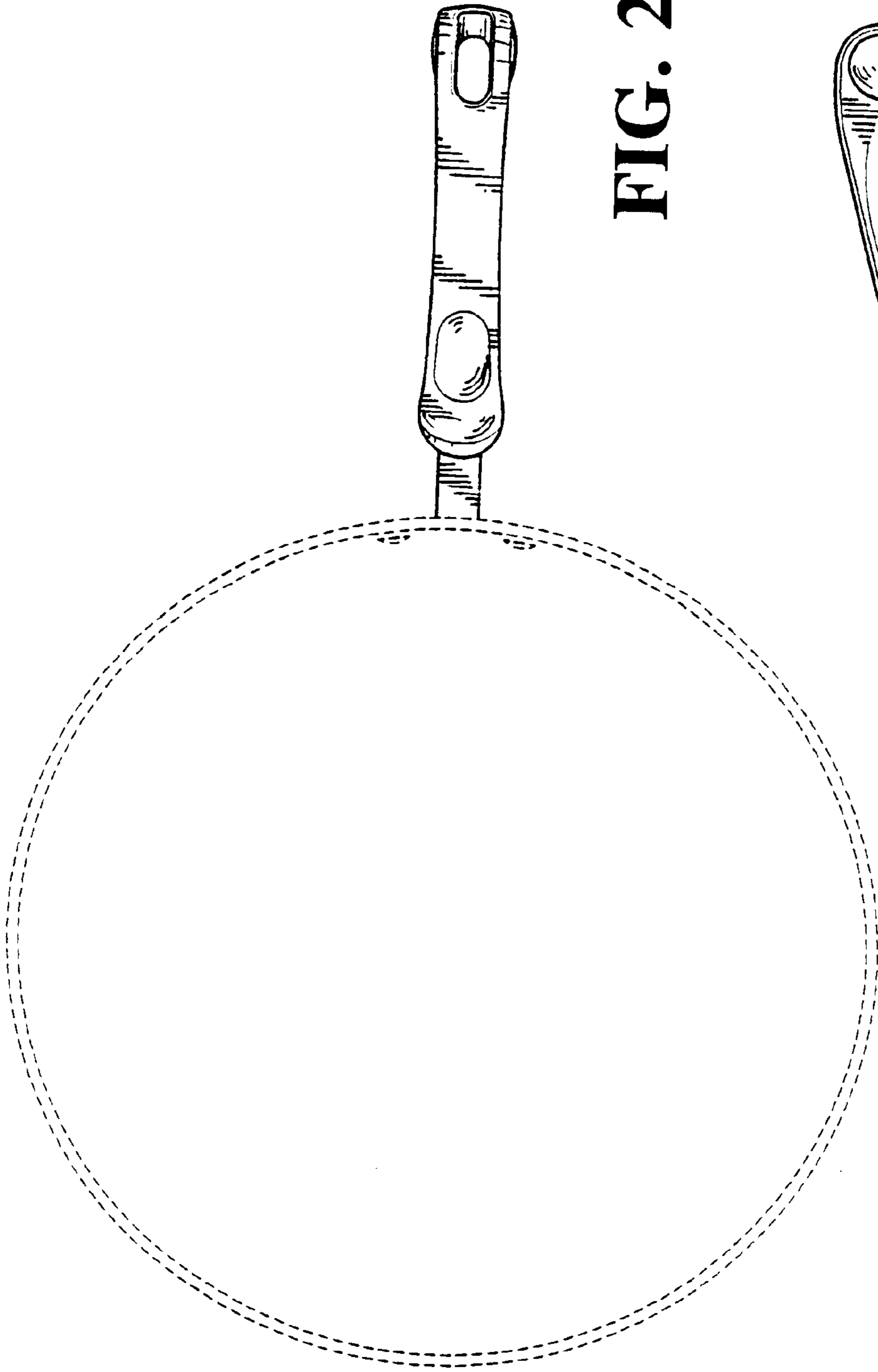


FIG. 2

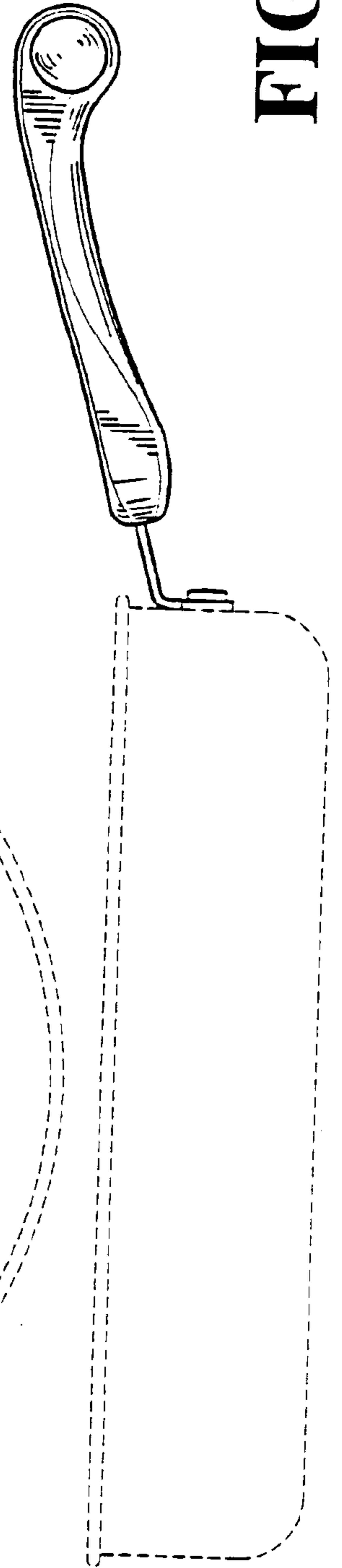


FIG. 3

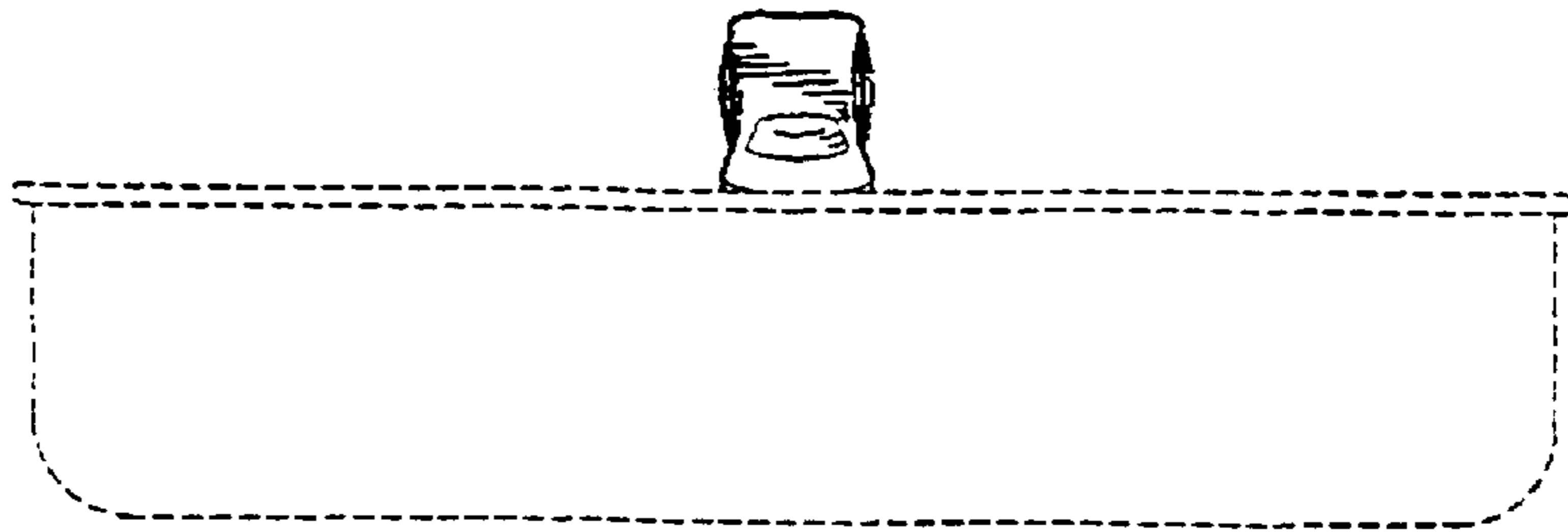


FIG. 4

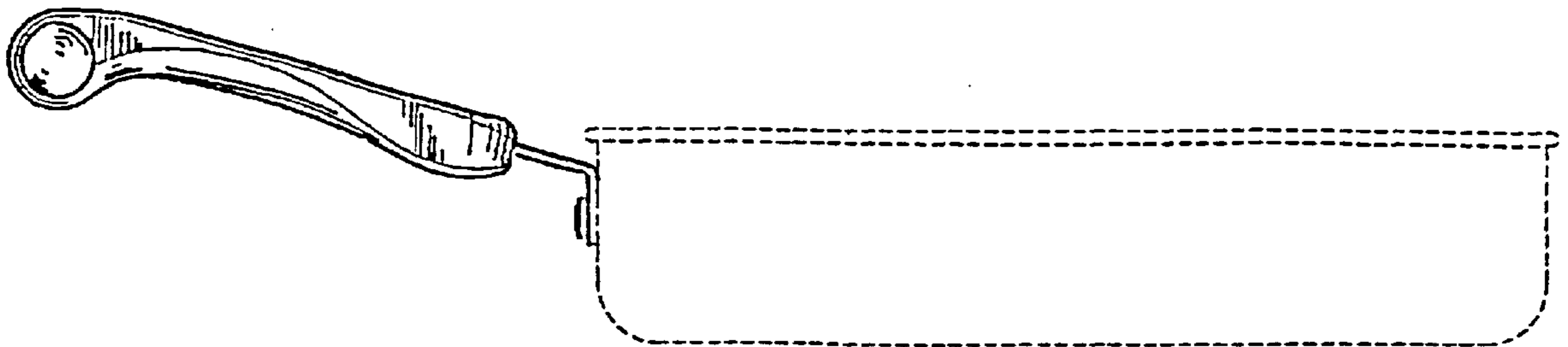


FIG. 5

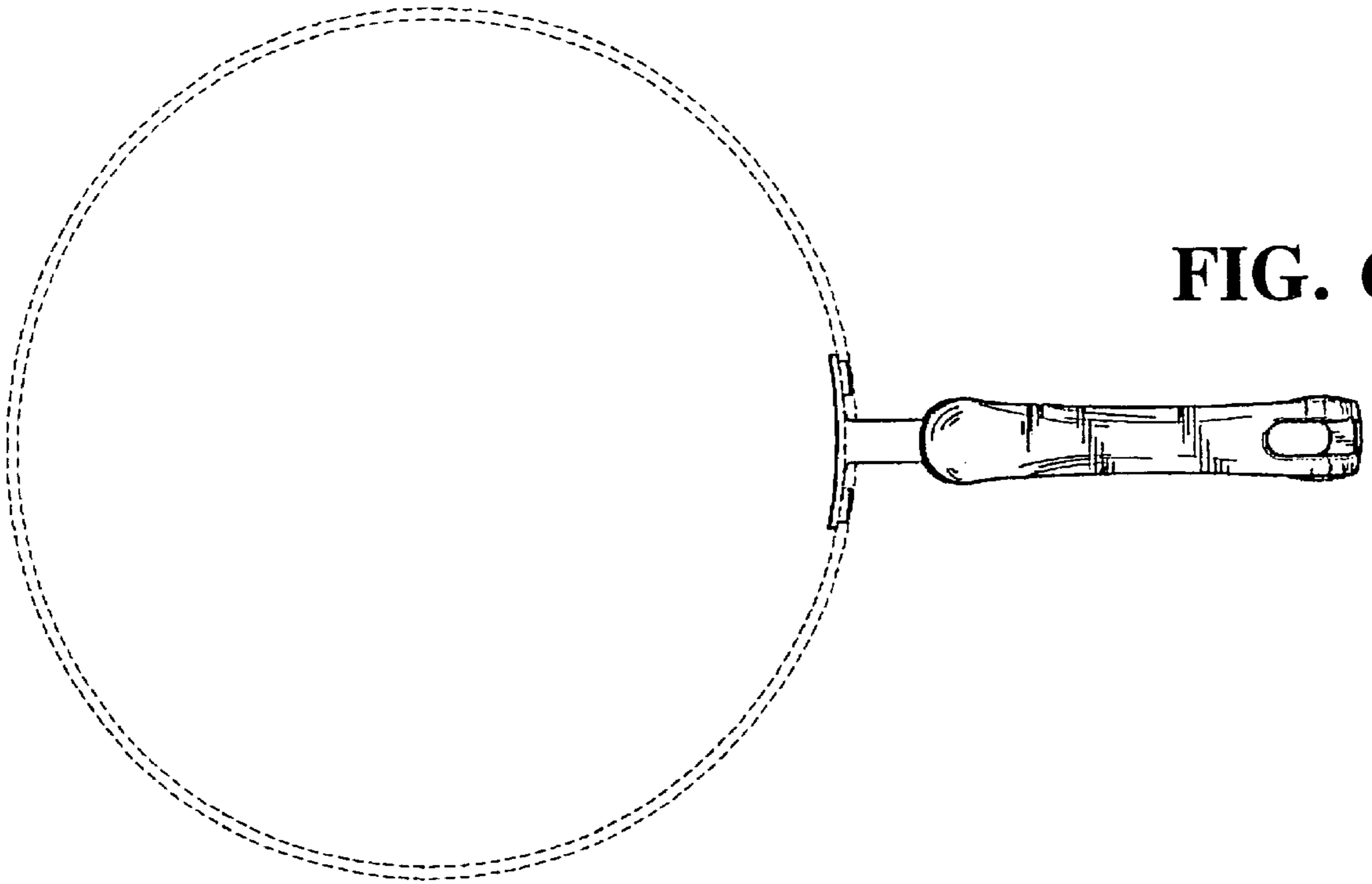


FIG. 6

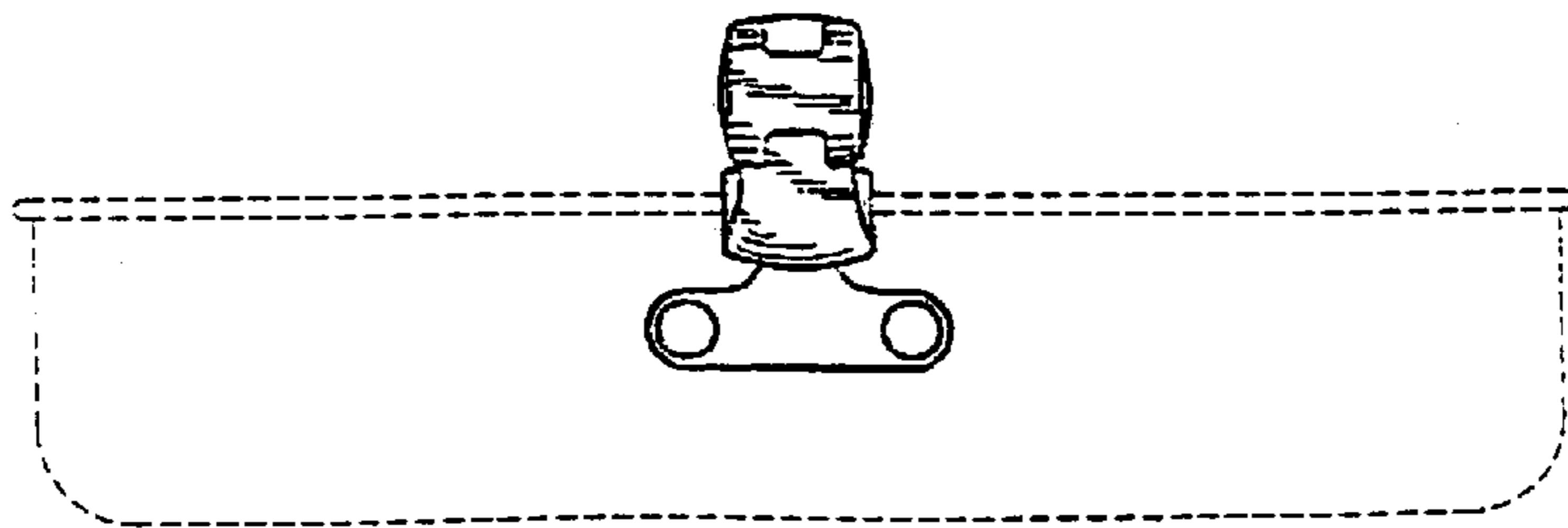


FIG. 7