



US00D417583S

# United States Patent [19]

Demore

[11] Patent Number: **Des. 417,583**

[45] Date of Patent: **\*\* Dec. 14, 1999**

[54] **BEVERAGE CONTAINER LID**

[75] Inventor: **Anthony Demore**, Copley, Ohio

[73] Assignee: **Rubbermaid Incorporated**, Wooster, Ohio

[\*\*] Term: **14 Years**

[21] Appl. No.: **29/081,494**

[22] Filed: **Jan. 5, 1998**

[51] **LOC (6) Cl.** ..... **07-99**

[52] **U.S. Cl.** ..... **D7/392.1; D7/392**

[58] **Field of Search** ..... D7/391, 392, 392.1, D7/601, 602, 608, 538, 541, 542, 510, 511, 396.2, 612, 321, 313; D9/503, 435, 440, 445, 446, 447, 454, 443; 220/711, 713, 254

[56] **References Cited**

**U.S. PATENT DOCUMENTS**

D. 181,199	10/1957	Jocelyn	.....	D7/392
D. 271,284	11/1983	Bainton	.....	D9/438
D. 275,181	8/1984	Jeffries et al.	.....	D9/447 X
D. 277,724	2/1985	Daenen et al.	.....	D7/392
D. 278,602	4/1985	Rosenstein	.....	D9/449
D. 288,667	3/1987	Miner	.....	D9/443
D. 308,169	5/1990	Anman	.....	D9/446
D. 314,708	2/1991	DeCoster	.....	D9/449
D. 315,103	3/1991	Bennett	.....	D9/447
D. 318,777	8/1991	Freese	.....	D7/392
D. 331,878	12/1992	Forsyth	.....	D9/449
D. 334,341	3/1993	Brown et al.	.....	D9/447
D. 339,065	9/1993	Forsyth et al.	.....	D9/447
D. 340,187	10/1993	Forsyth	.....	D9/449
D. 340,188	10/1993	Forsyth	.....	D9/449
D. 352,899	11/1994	Molo	.....	D9/447
D. 355,121	2/1995	Kohl	.....	D9/447
D. 359,905	7/1995	Molo	.....	D9/447
D. 364,810	12/1995	Meisner	.....	D9/446
D. 369,942	5/1996	Ahern, Jr.	.....	D7/391
D. 369,943	5/1996	Dark	.....	D7/392.1
D. 372,639	8/1996	Kristinik	.....	D7/511
D. 372,866	8/1996	Ahern, Jr.	.....	D9/449
D. 374,590	10/1996	Ahern, Jr.	.....	D7/392.1
D. 374,794	10/1996	Ahern, Jr.	.....	D7/392.1

D. 385,791	11/1997	Forsyth et al.	.....	D9/447
D. 386,685	11/1997	Miller	.....	D9/449
D. 387,621	12/1997	Sullivan et al.	.....	D7/510
D. 389,012	1/1998	Miller	.....	D7/391
3,760,972	9/1973	McKirnan	.....	220/9 R
4,361,250	11/1982	Foster	.....	220/266
4,511,057	4/1985	Tontarelli	.....	220/711 X
4,629,088	12/1986	Durgin	.....	220/713 X

(List continued on next page.)

**OTHER PUBLICATIONS**

Page 100, Lid for beverage container; "Good Housekeeping", magazine. Publication date Jan., 1997.

Pp. 3 and 25, Lids for beverage container; Tupperware Home Parties, 2211 Sanders Road, Northbrook, Illinois 60062. Publication date Fall 1993.

Catalog page, Lids for beverage container; Anchor Hocking Plastics, The Newell Group, P. O. Box 64610, St. Paul, Minnesota 55164. Published at least as early as 1993.

Packaging, Lid for beverage container; Anchor Hocking Plastics, The Newell Group, P. O. Box 64610, St. Paul, Minnesota 55164. Published at least as early as 1994.

Page 13, Lids for beverage container; Curver, Takkebijsters 75, Postbus 6810, 4802 HV Breda, The Netherlands. Published at least as early as 1992.

Page 20, Lids for beverage container; Dupol-Rubbermaid, GmbH, An der Trift 63, D06072 Drieieich, West Germany. Publication date 1989.

*Primary Examiner*—M. N. Pandozzi

*Attorney, Agent, or Firm*—Richard B. O'Planick

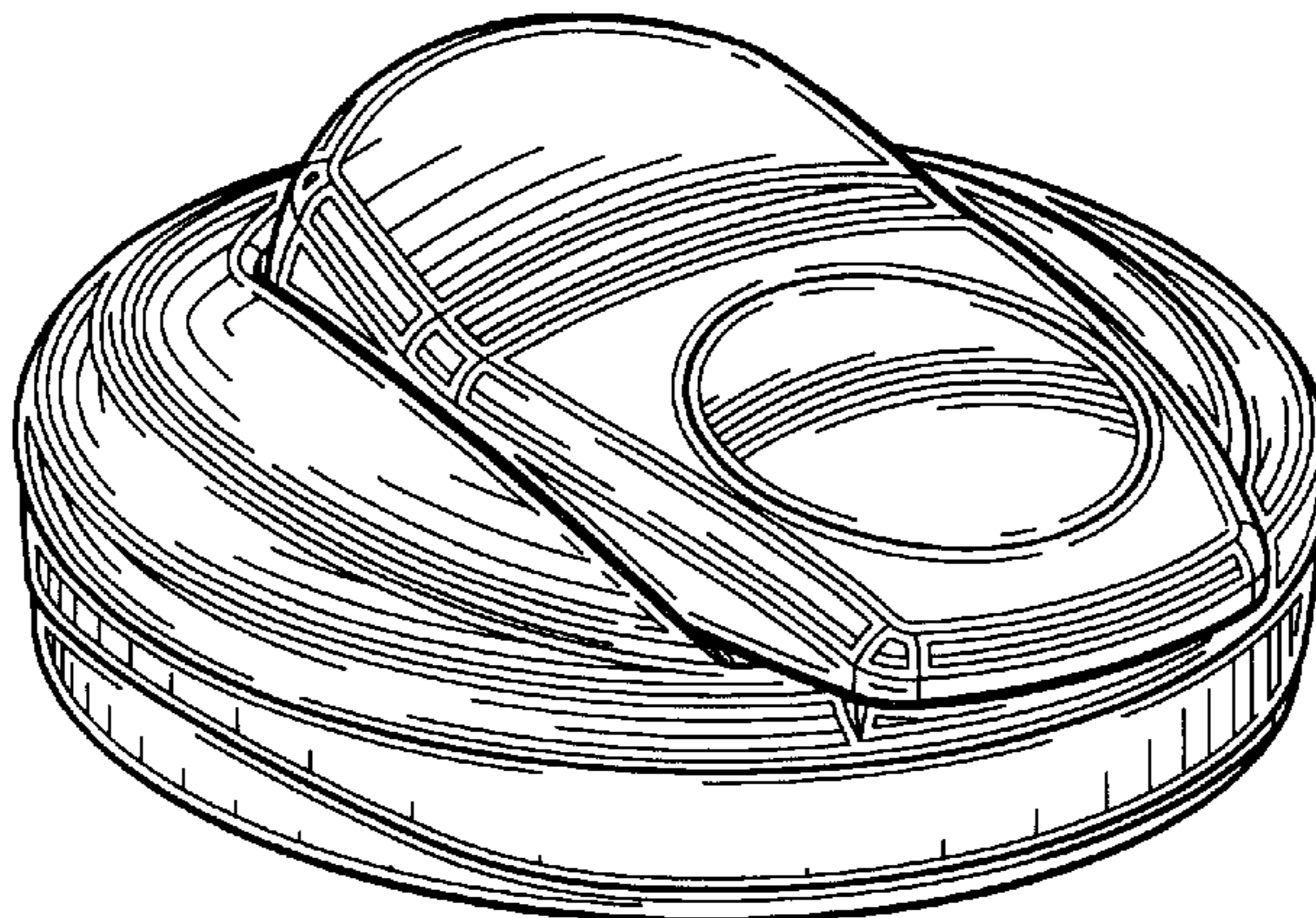
[57] **CLAIM**

The ornamental design for a beverage container lid, as shown and described.

**DESCRIPTION**

FIG. 1 is a top left front perspective view of a beverage container lid showing my new design; FIG. 2 is a top plan view thereof; FIG. 3 is a front elevational view thereof; FIG. 4 is a left side elevational view thereof; the right side elevational view being a mirror image; FIG. 5 is a rear elevational view thereof; and, FIG. 6 is a bottom plan view thereof.

**1 Claim, 3 Drawing Sheets**



# Des. 417,583

Page 2

---

## U.S. PATENT DOCUMENTS

				5,088,614	2/1992	Dumestre .....	220/711	X
4,693,399	9/1987	Hickman et al. ....	222/480	5,348,181	9/1994	Smith et al. ....	220/711	X
4,925,051	5/1990	Herbst .....	220/713	5,395,015	3/1995	Bolen, Jr. et al. ....	222/546	
4,936,494	6/1990	Weidman .....	222/480	5,415,312	5/1995	Mueller .....	220/711	X
4,949,865	8/1990	Turner .....	220/713	5,579,961	12/1996	Zimmerman .....	222/545	
4,993,603	2/1991	Polhemus .....	222/472	5,697,509	12/1997	Hayes .....	215/235	

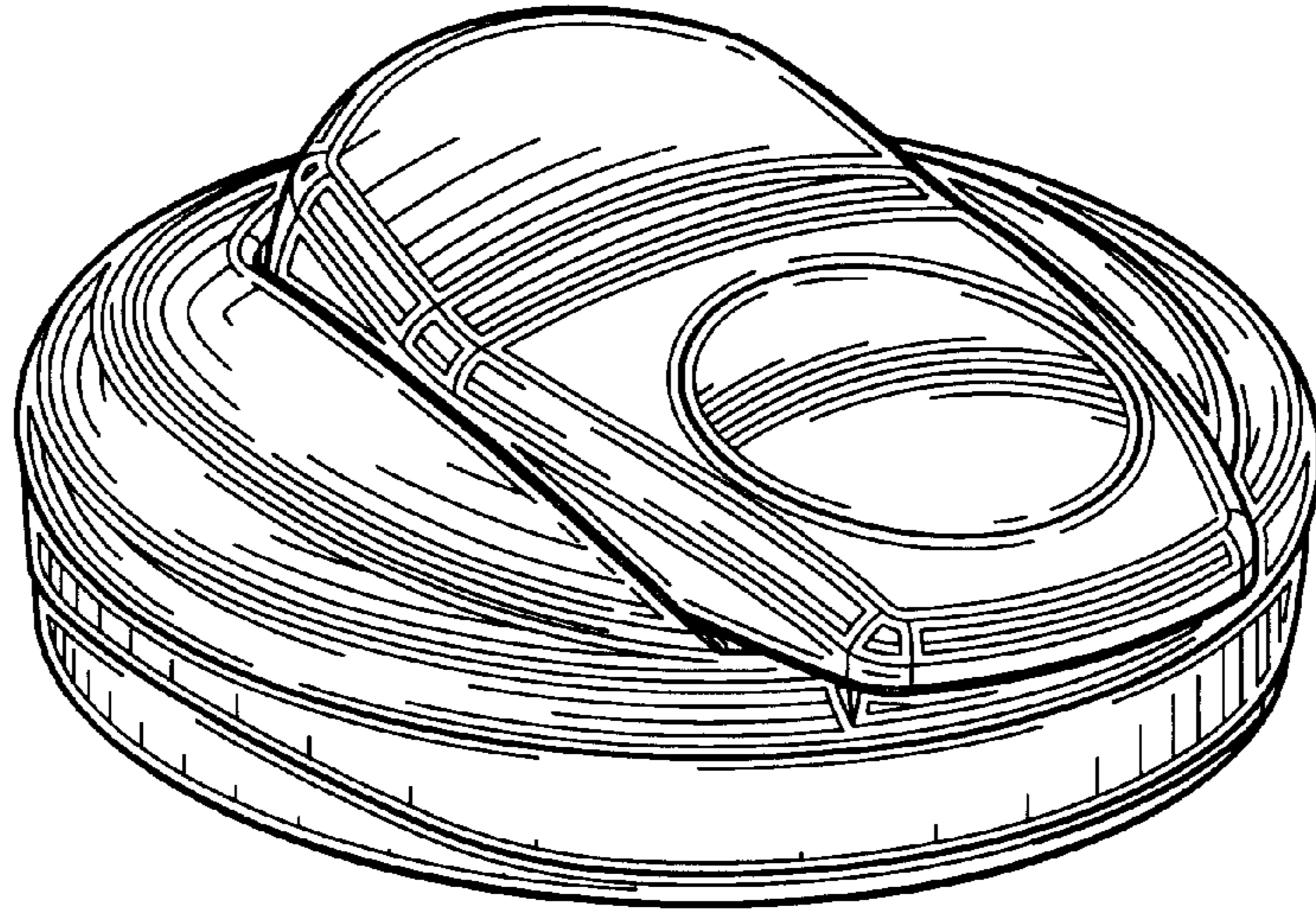


FIG. 1

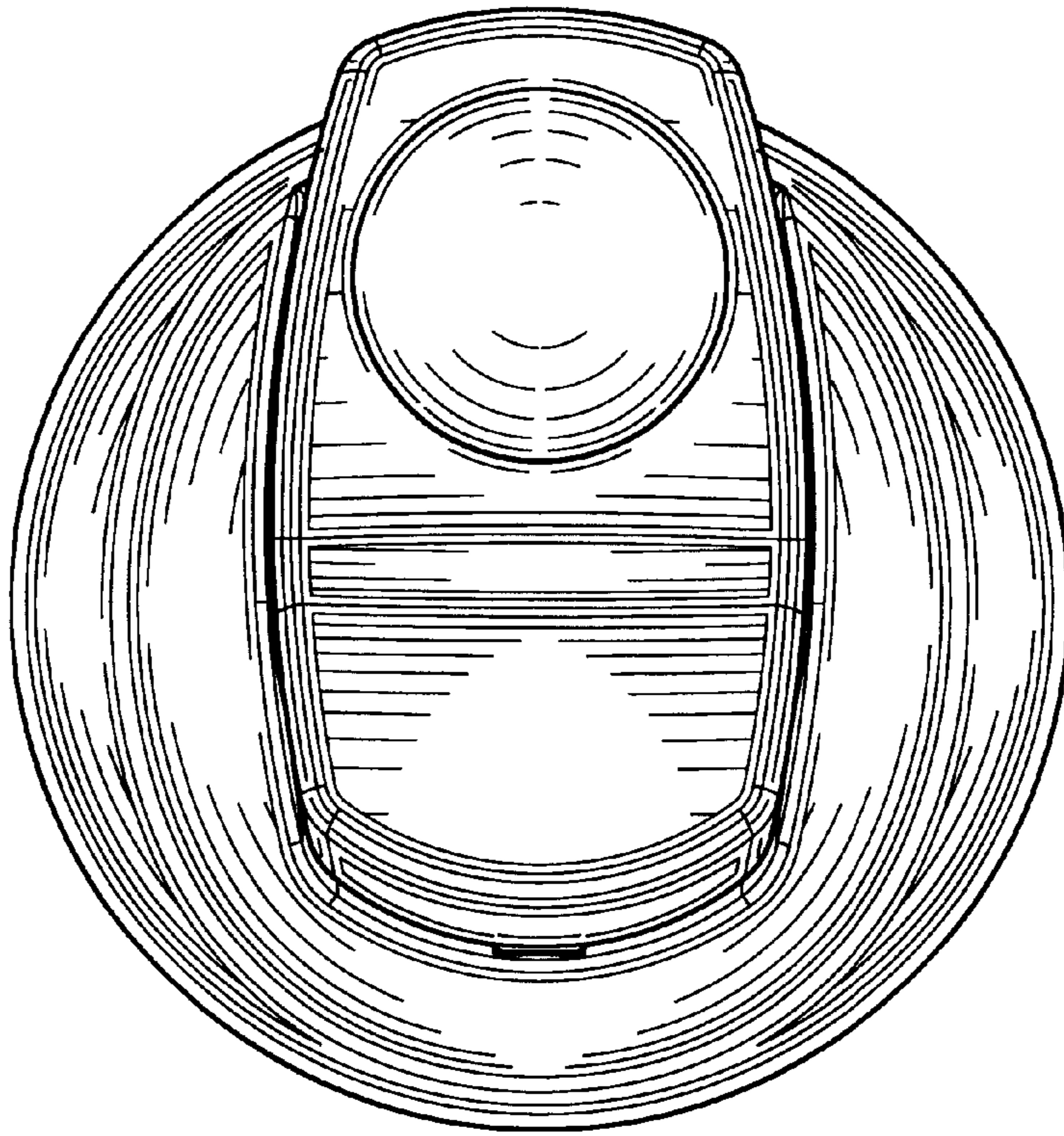


FIG. 2

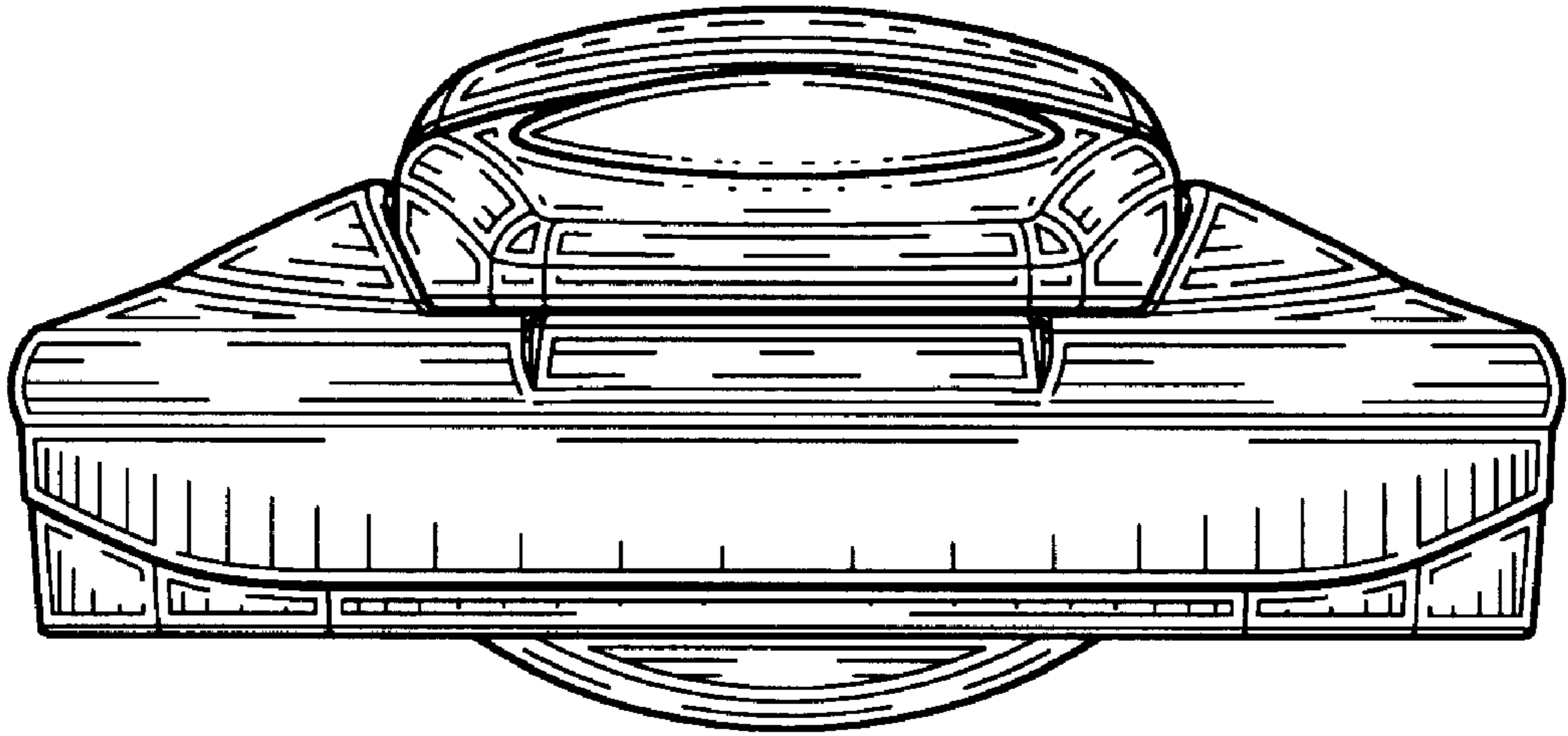


FIG. 3

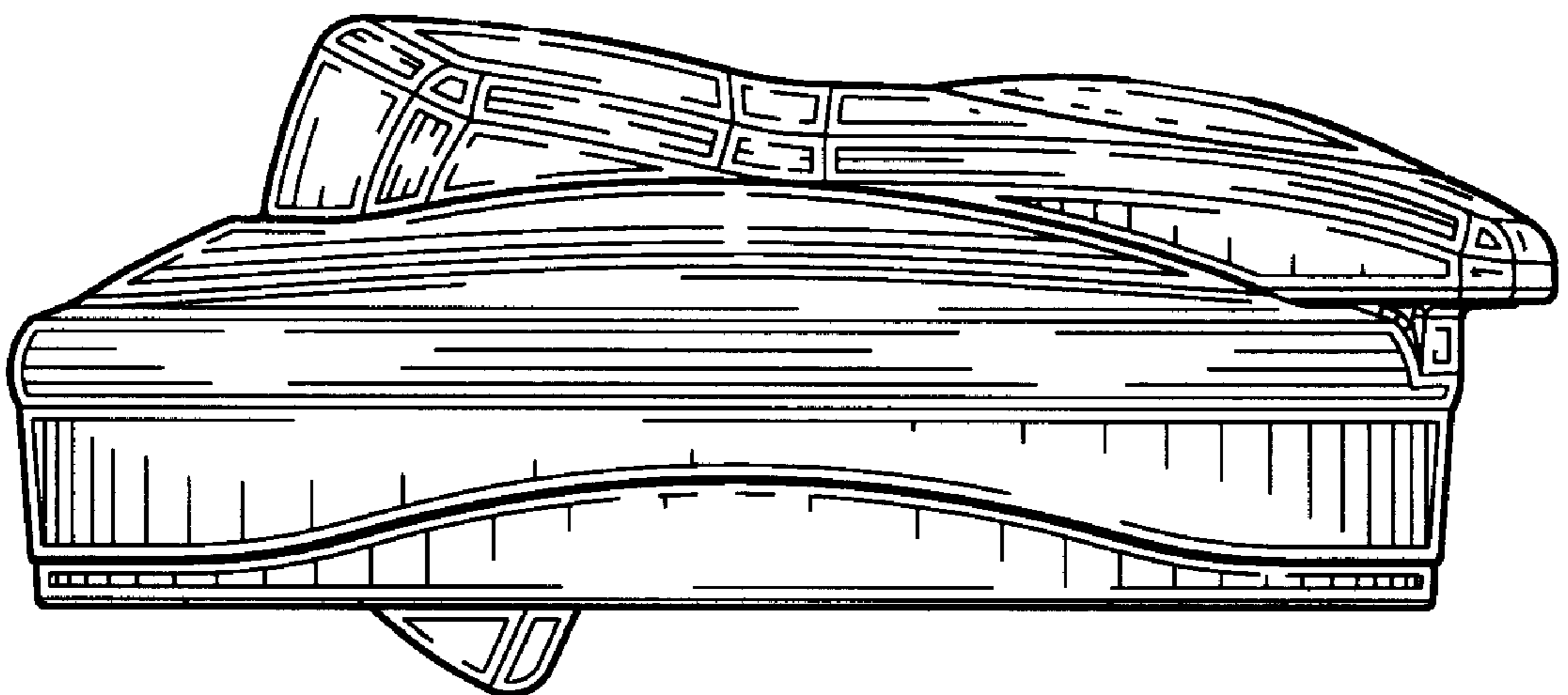


FIG. 4

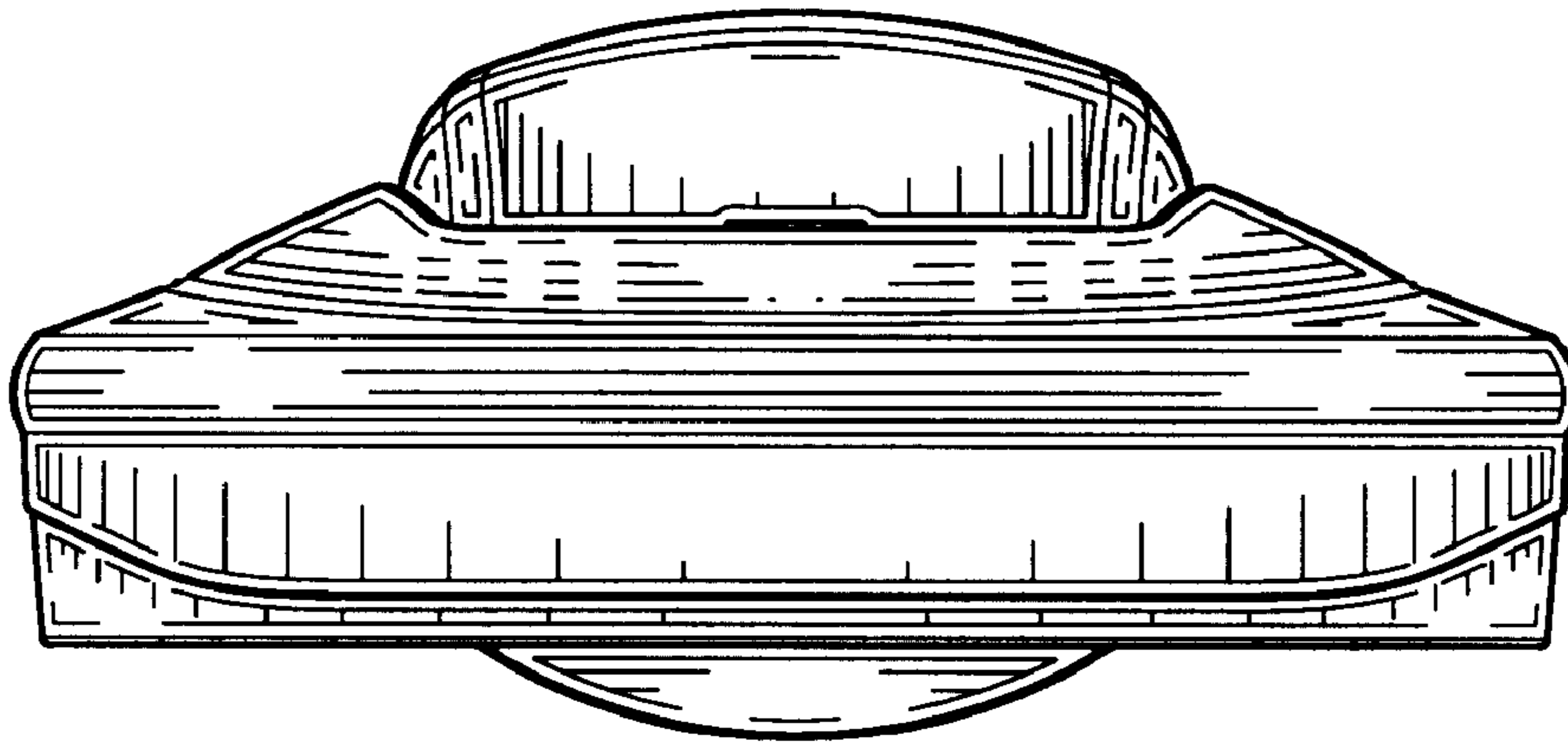


FIG. 5

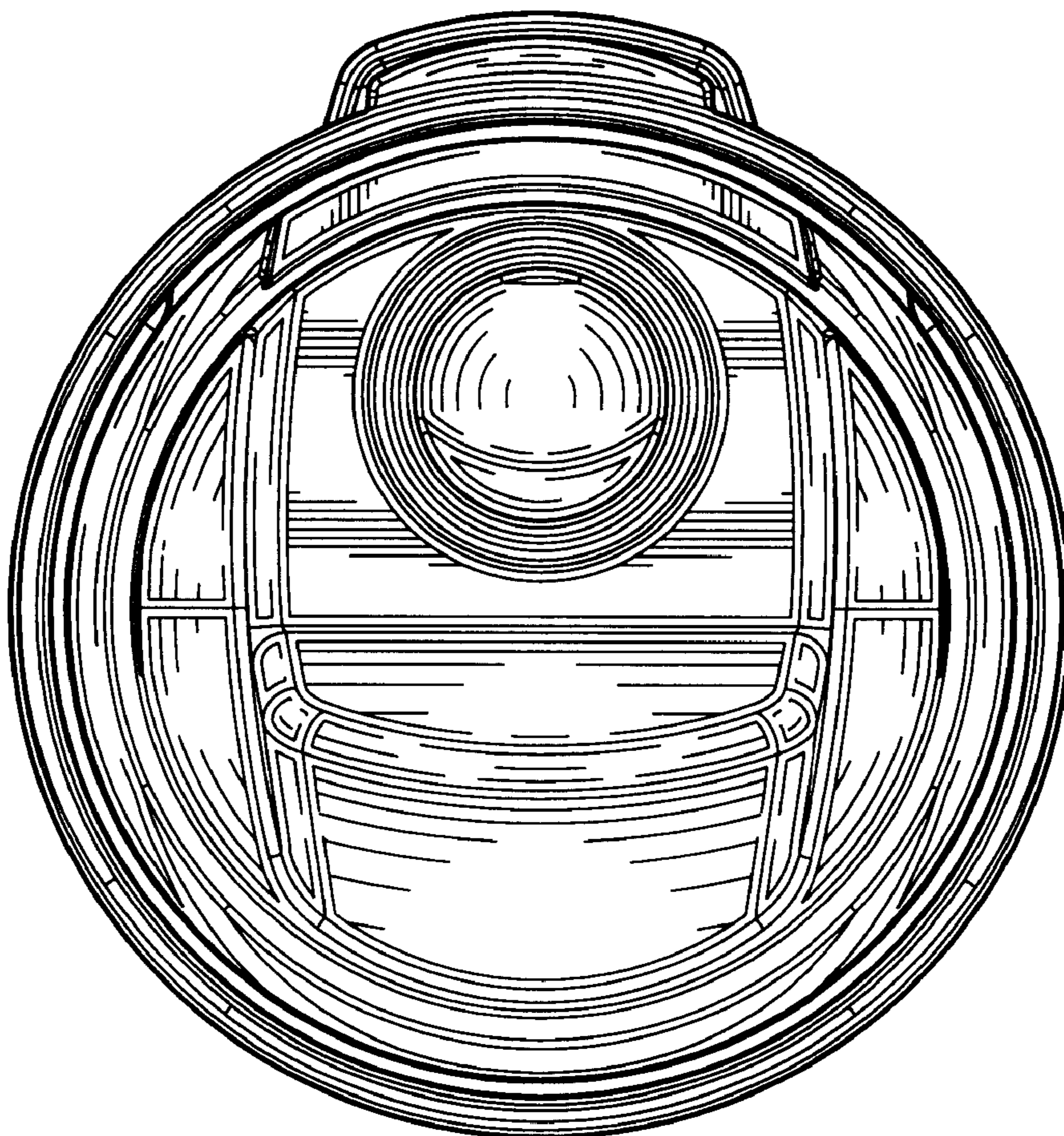


FIG. 6