



US00D417582S

United States Patent [19]
Joergensen

[11] **Patent Number: Des. 417,582**

[45] **Date of Patent: ** Dec. 14, 1999**

[54] **LID FOR A NON-ELECTRIC COFFEE MAKER**

[75] Inventor: **Carsten Joergensen**, Kriens, Switzerland

[73] Assignee: **PI-Design AG**, Triengen, Switzerland

[**] Term: **14 Years**

[21] Appl. No.: **29/077,615**

[22] Filed: **Oct. 7, 1997**

[30] **Foreign Application Priority Data**

Apr. 23, 1997 [DK] Denmark MA 0435 1997

[51] **LOC (6) Cl.** **07-97**

[52] **U.S. Cl.** **D7/392.1; D7/391; D7/392**

[58] **Field of Search** D7/391, 392, 392.1, D7/317, 321, 538, 612; D9/443, 454; 220/903, 553, 369; 222/144.5; 99/321

[56] **References Cited**

U.S. PATENT DOCUMENTS

D. 155,288	9/1949	Hellberg	D7/391
D. 243,741	3/1977	Hauenstein	D7/392
D. 249,624	9/1978	Solomon	D7/391
D. 328,546	8/1992	Unger	D7/317
D. 347,549	6/1994	Ament et al.	D7/392
D. 352,212	11/1994	Burton	D7/317 X
362,105	5/1887	Newcomb	99/321

D. 381,238	7/1997	Joergensen	D7/319
944,865	12/1909	Houck	99/321
3,814,004	6/1974	Thornton	99/321 X
3,937,359	2/1976	Stockton, Jr.	220/369
5,678,472	10/1997	Millman	99/321

Primary Examiner—M. N. Pandozzi
Attorney, Agent, or Firm—Nathan & Associates; Gary M. Nath; Gregory B. Kang

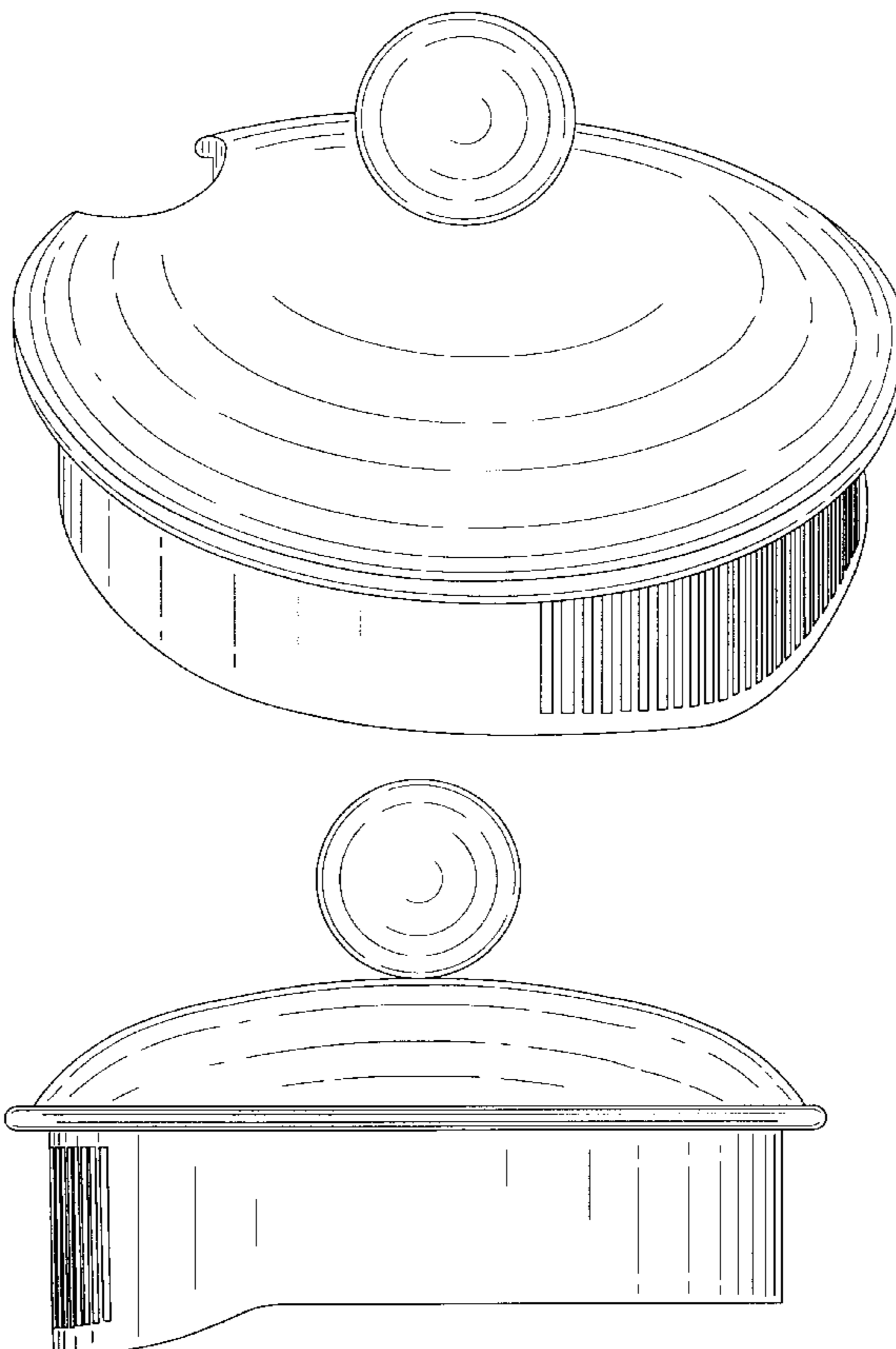
[57] **CLAIM**

The ornamental design for a lid for a non-electric coffee maker, as shown and described.

DESCRIPTION

FIG. 1 is an oblique perspective view of the lid for a non-electric coffee maker;
 FIG. 2 is a right side view of the lid for a non-electric coffee maker, as shown in FIG. 1;
 FIG. 3 is a left side view of the lid for a non-electric coffee maker;
 FIG. 4 is a front side view of the lid for a non-electric coffee maker;
 FIG. 5 is a back side view of the lid for a non-electric coffee maker;
 FIG. 6 is a top view of the lid for a non-electric coffee maker;
 and,
 FIG. 7 is a bottom view of the lid for a non-electric coffee maker.

1 Claim, 4 Drawing Sheets



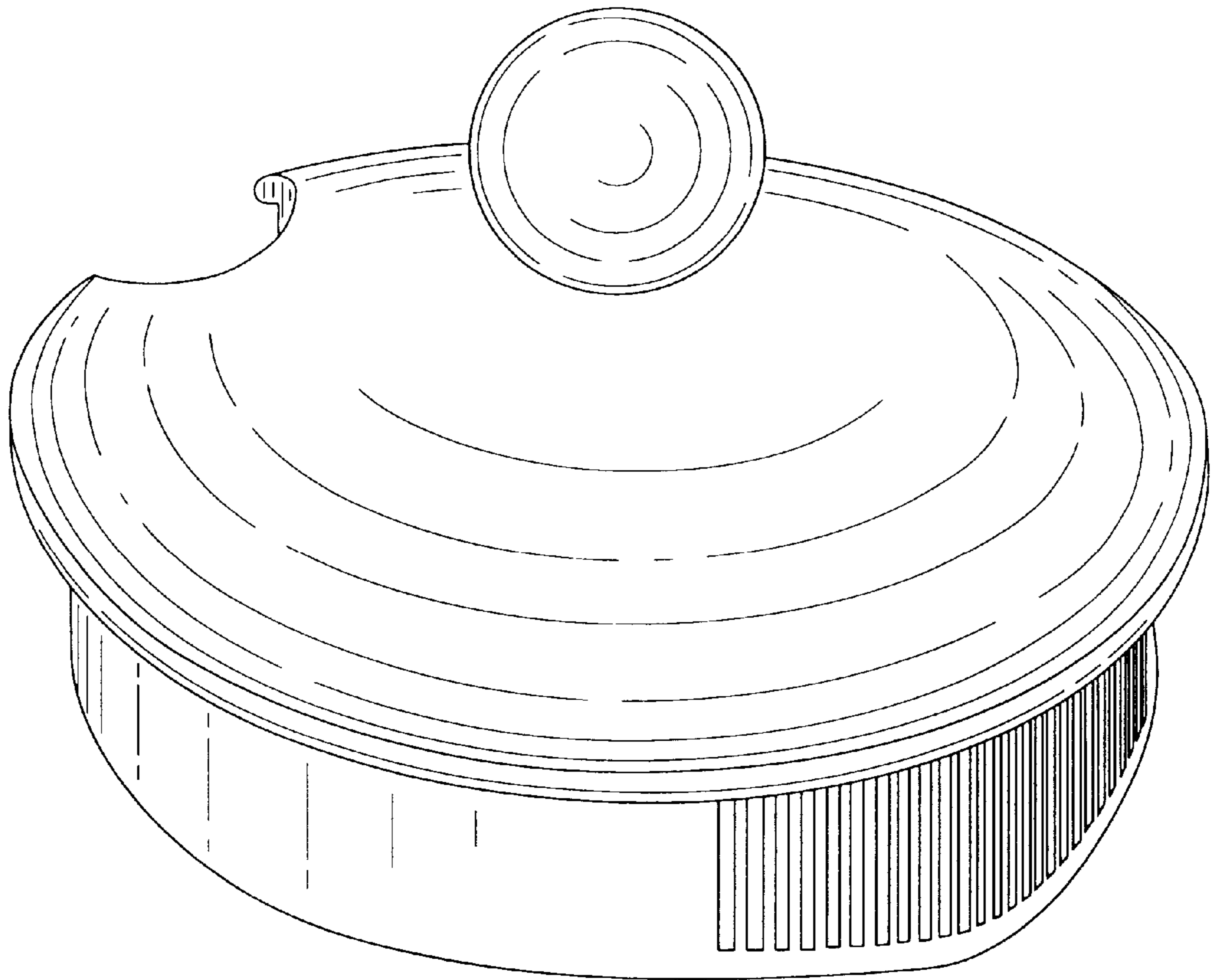


FIG. 1

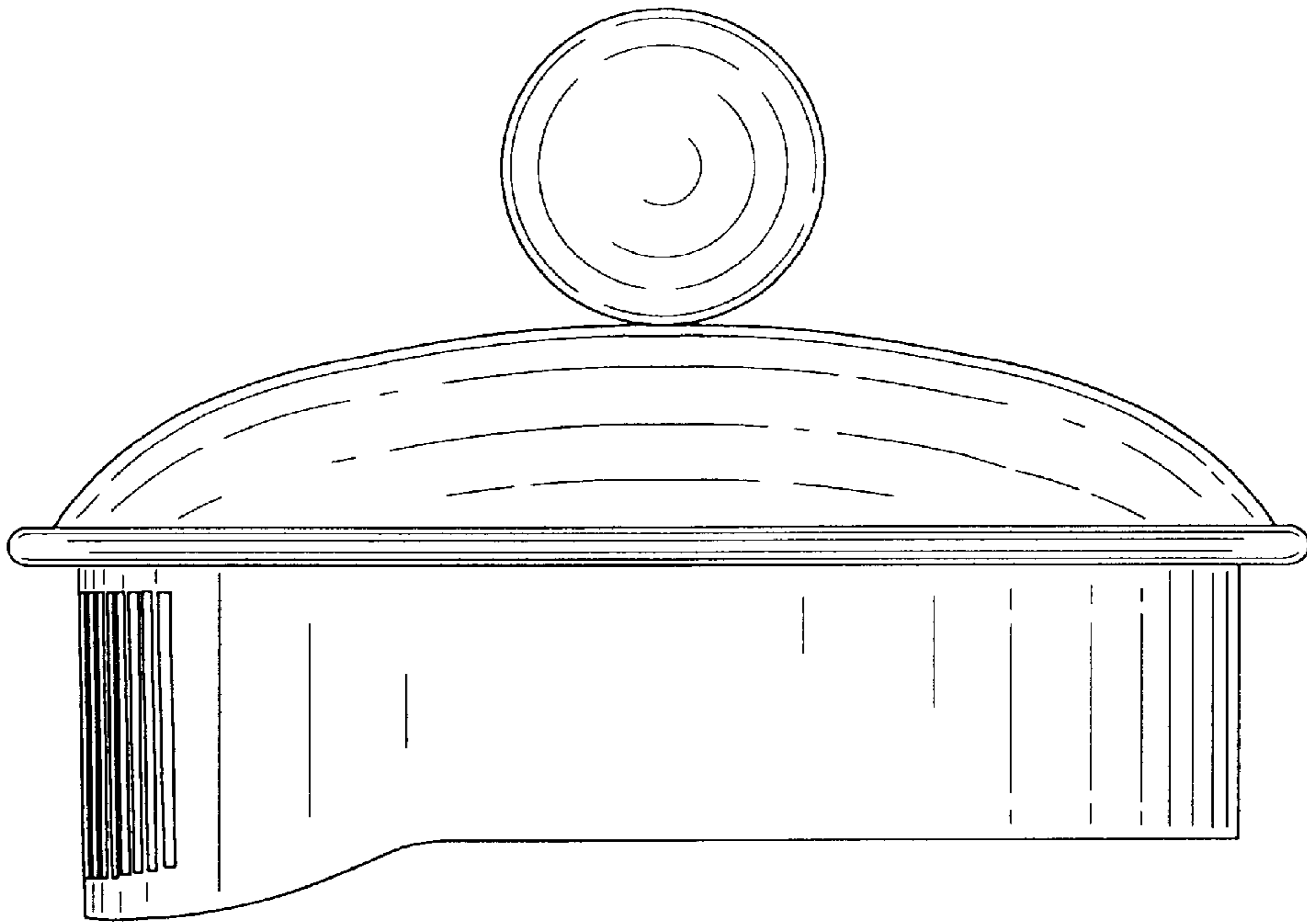


FIG. 2

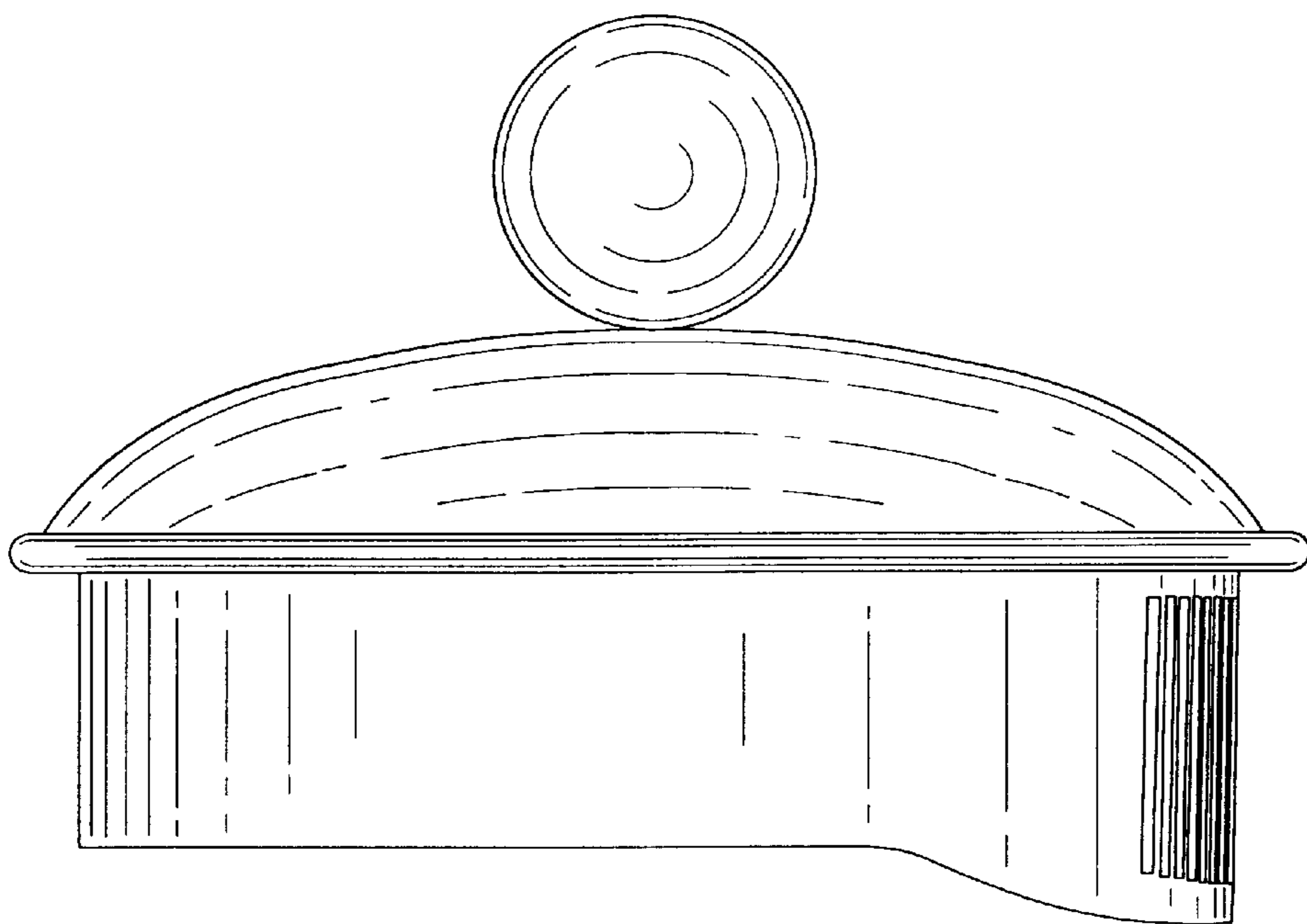


FIG. 3

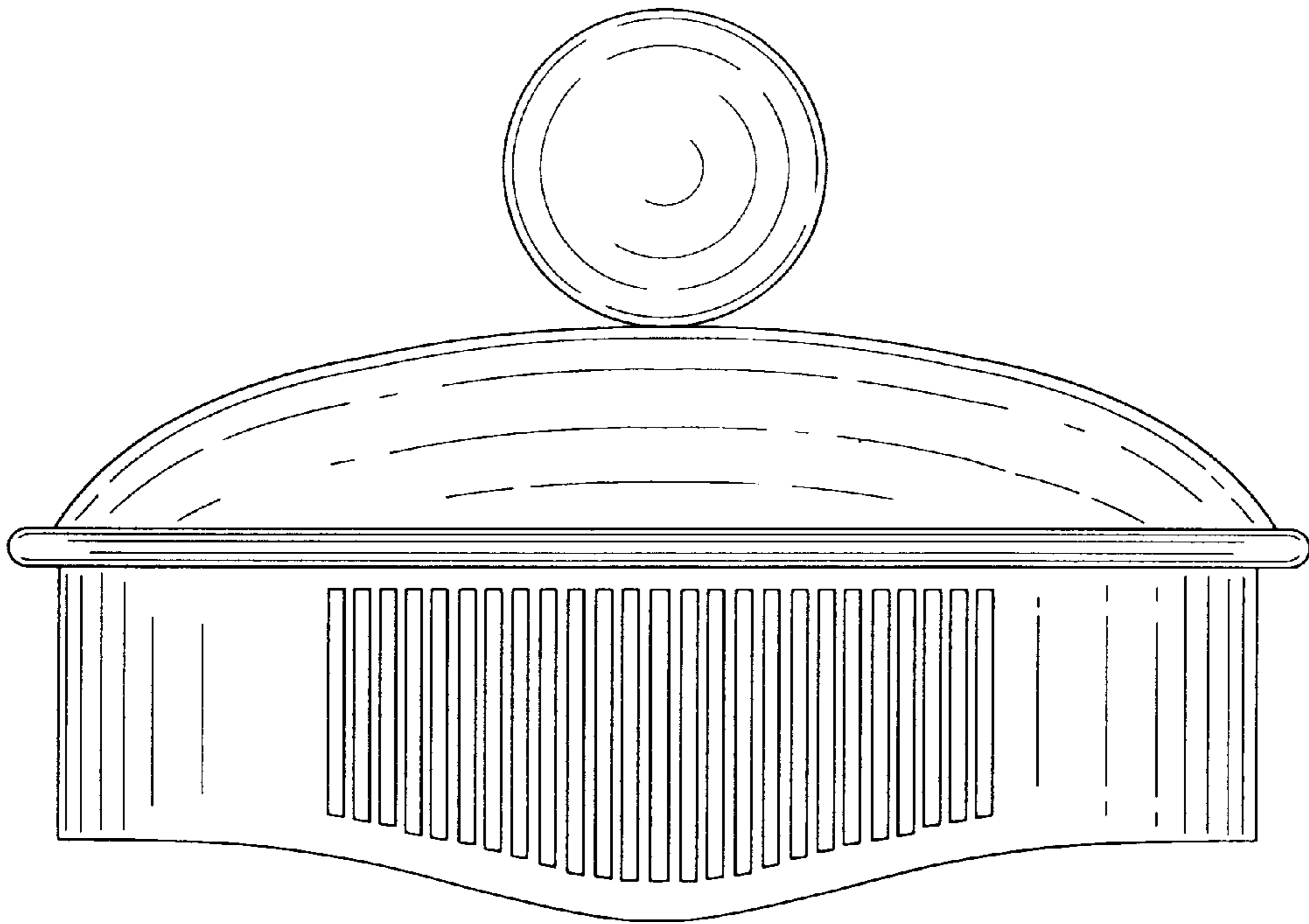


FIG. 4

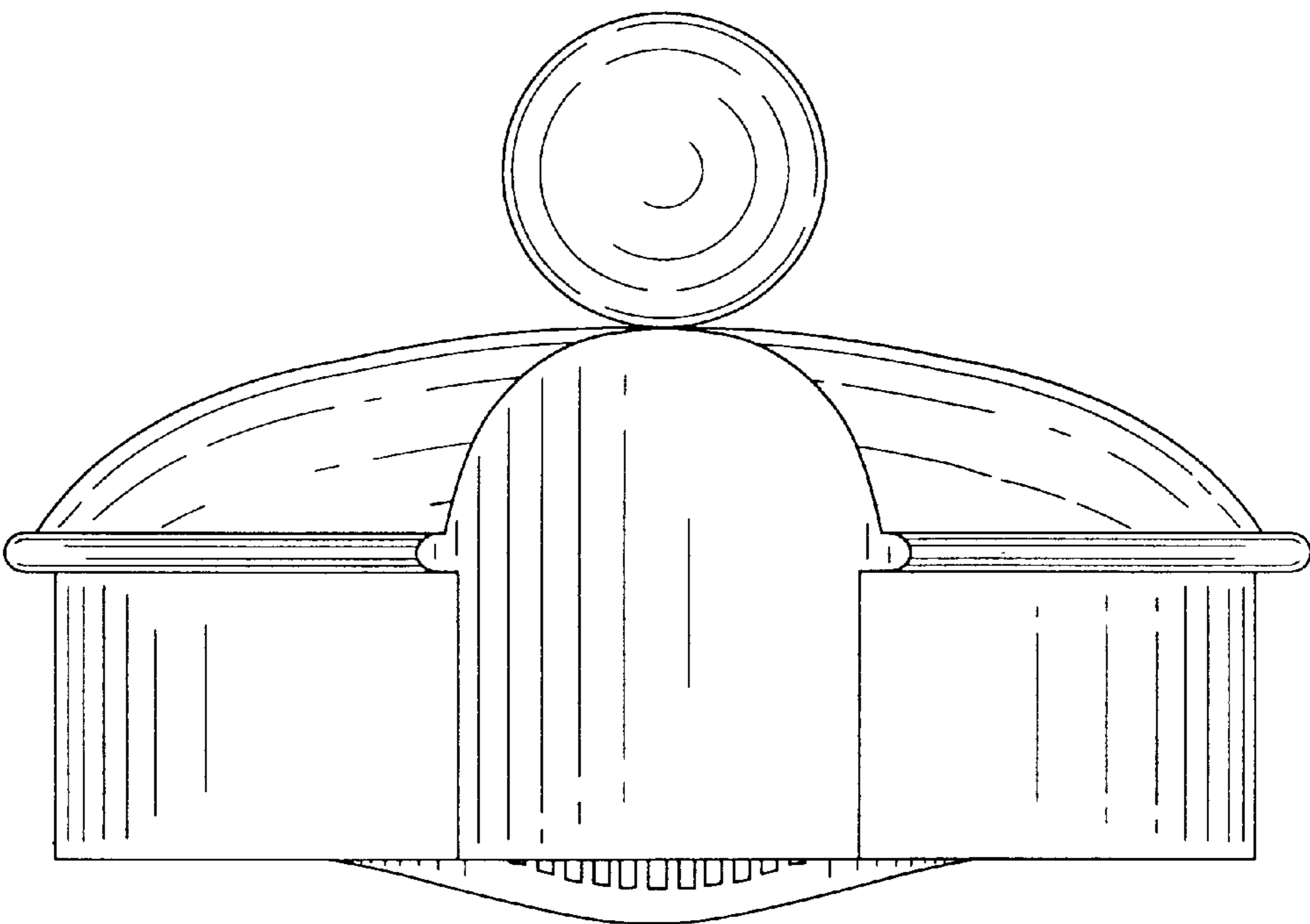


FIG. 5

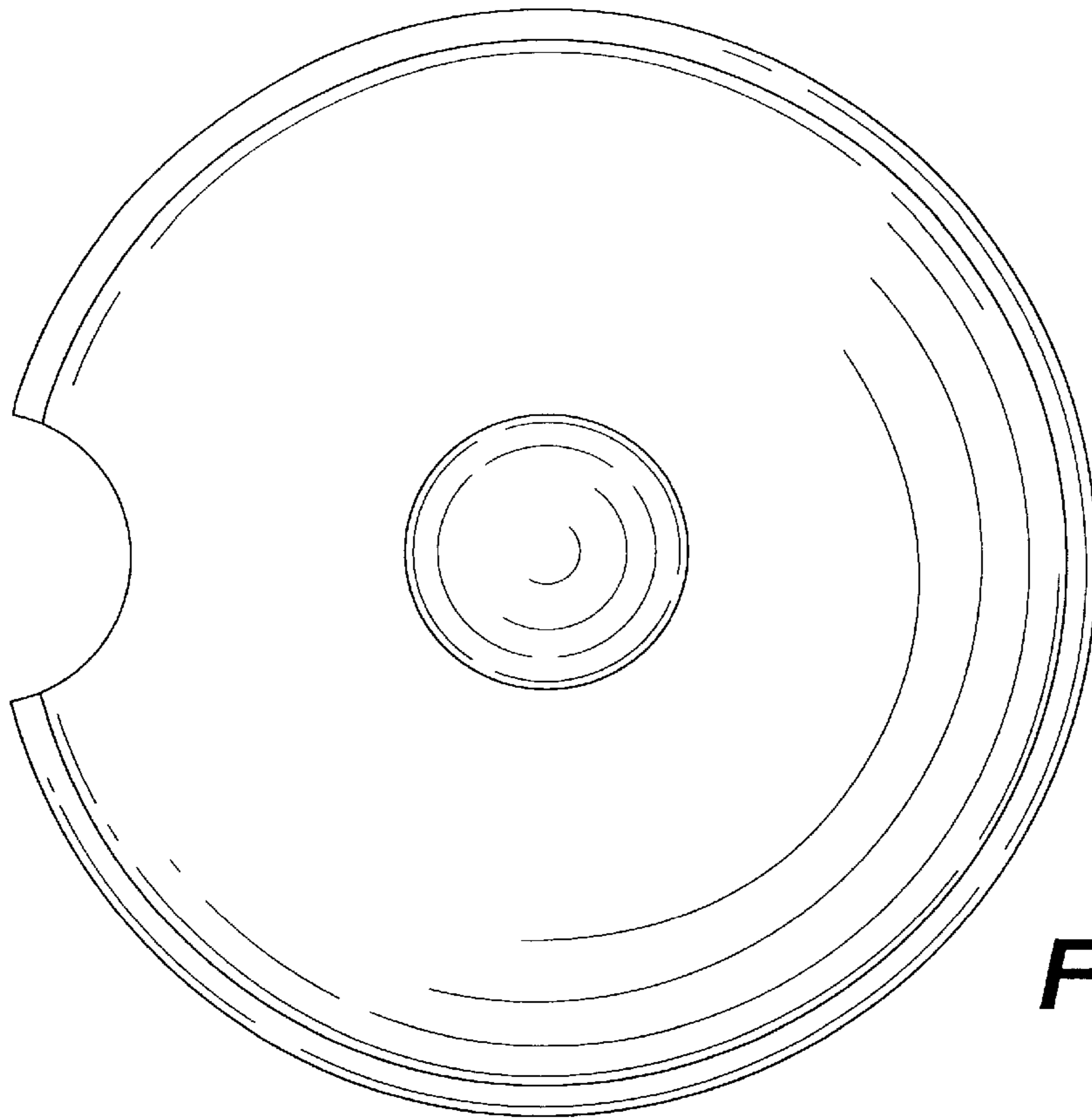


FIG. 6

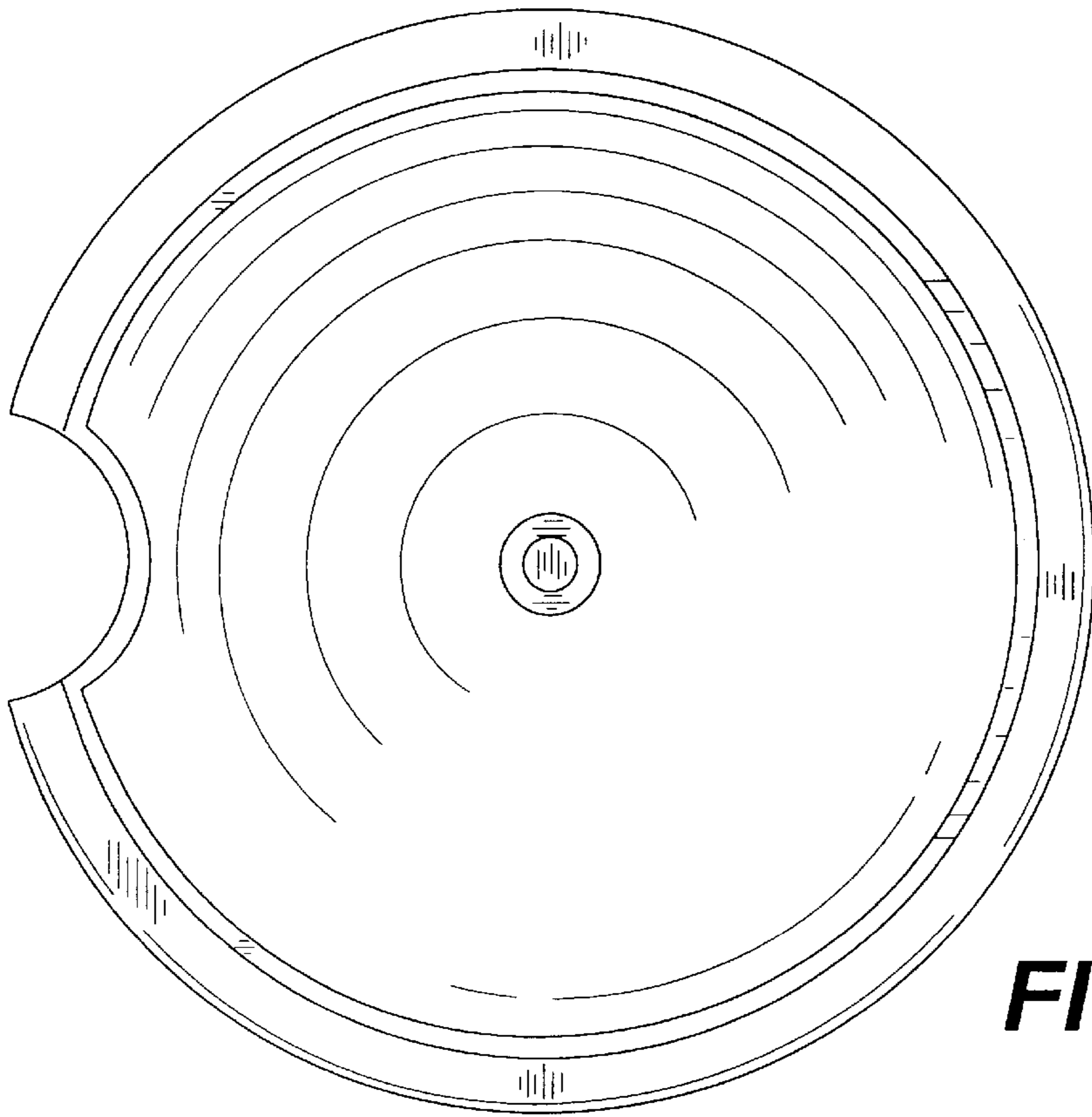


FIG. 7