



US00D417581S

United States Patent [19]

[11] Patent Number: Des. 417,581

Barthelemy et al.

[45] Date of Patent: ** Dec. 14, 1999

[54] BLENDER

[75] Inventors: **Matthew J. Barthelemy**, San Francisco; **Gad Amit**, Mountain View, both of Calif.

[73] Assignee: **Sunbeam Products Inc.**, Delray Beach, Fla.

[**] Term: **14 Years**

[21] Appl. No.: **29/076,075**

[22] Filed: **Sep. 3, 1997**

[51] LOC (6) Cl. **31-00**

[52] U.S. Cl. **D7/378**

[58] Field of Search D7/372, 376-379, D7/384, 386, 412, 413, 415; 241/37.5, 101.1, 199.12, 282.1, 282.2, 92, 93; 366/129, 130, 197, 199, 204, 205, 314

D. 267,538	1/1983	Steinkamp et al.	D7/386
D. 290,218	6/1987	Thomas	D7/412
D. 306,680	3/1990	Madl	D7/414
D. 327,812	7/1992	Thomas et al.	D7/413
D. 347,966	6/1994	Doggett	D7/378
D. 349,423	8/1994	Burgel	D7/376 X
D. 363,190	10/1995	Brady	D7/386
D. 370,151	5/1996	McLinden et al.	D7/378
2,530,455	11/1950	Forss	366/205 X
2,557,087	6/1951	Forss	366/205 X
2,733,396	1/1956	Luther	318/251
3,175,594	3/1965	Jepson et al.	366/205 X
3,299,226	1/1967	Edwards	366/205 X
3,493,214	2/1970	Edwards et al.	241/282.2
3,493,215	2/1970	Edwards et al.	241/282.2
3,518,523	6/1970	Main	318/443
3,548,280	12/1970	Cockroft	318/443
3,901,484	8/1975	Ernster	D7/378 X
4,071,789	1/1978	Ernster et al.	310/50
4,462,694	7/1984	Ernster et al.	366/205
4,783,173	11/1988	Artin	366/314

Primary Examiner—Caron D. Veynar
Attorney, Agent, or Firm—Kramer Levin Naftalis & Frankel LLP

[56] References Cited

U.S. PATENT DOCUMENTS

D. 169,373	4/1953	Iannelli	D7/413
D. 176,257	12/1955	Hill	D7/386
D. 181,541	11/1957	Madl	D7/378
D. 185,765	7/1959	Madl	D7/378
D. 199,888	12/1964	Dewenter	D7/378
D. 200,285	2/1965	Madl	D7/386
D. 204,117	3/1966	Di Sesa	D7/378
D. 204,924	5/1966	Di Sesa	D7/378
D. 214,227	5/1969	Madl	D7/378
D. 217,522	5/1970	Madl	D7/386
D. 220,235	3/1971	Greubel	D7/378
D. 242,208	11/1976	Madl et al.	D7/386
D. 246,564	12/1977	Haufe	D7/386
D. 255,758	7/1980	Steinkamp et al.	D7/384
D. 255,759	7/1980	Ernest	D7/386
D. 265,165	6/1982	Ernest et al.	D7/386

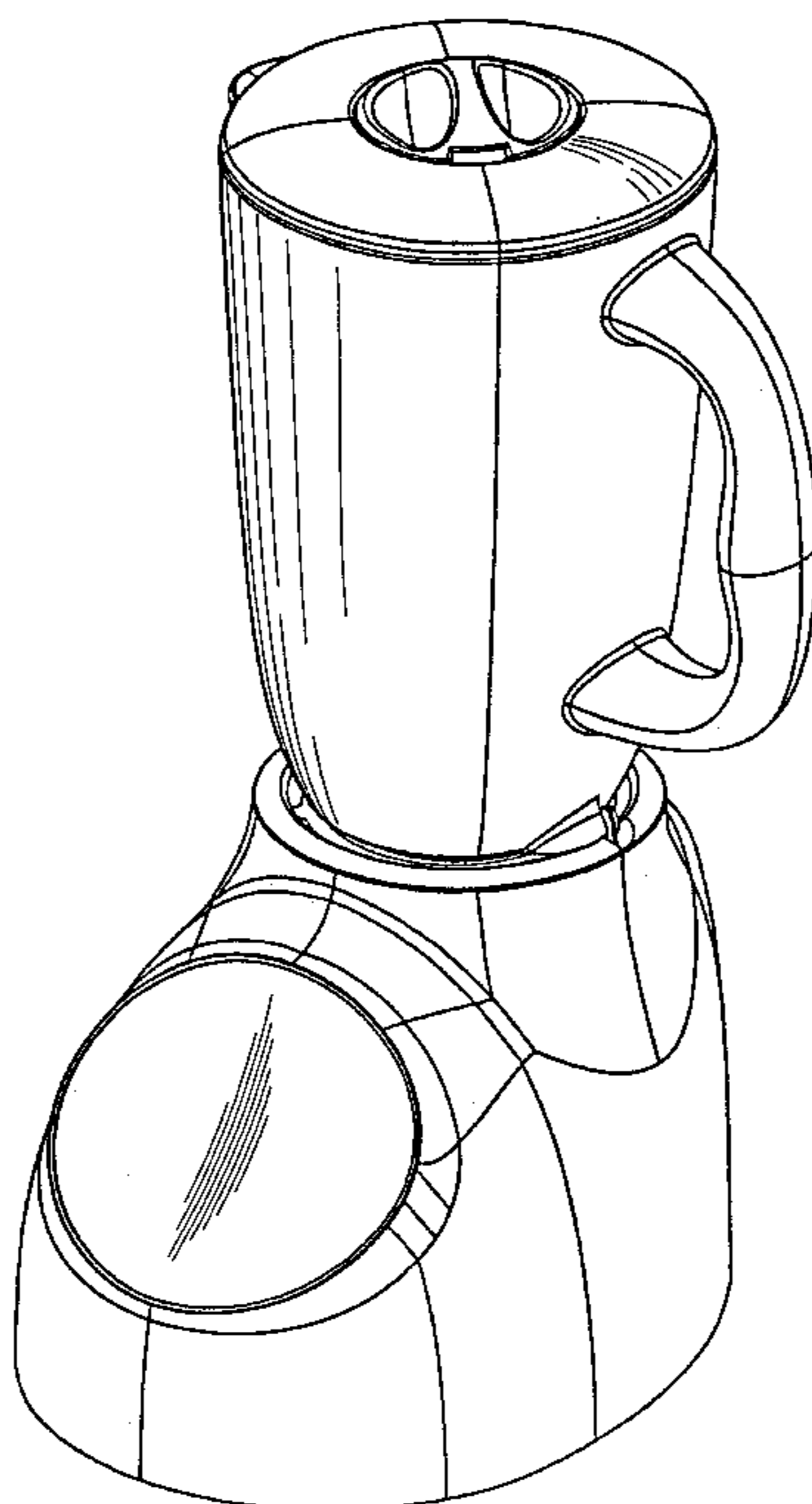
[57] CLAIM

The ornamental design for a blender, as shown and described.

DESCRIPTION

FIG. 1 is a perspective view of a blender showing our new design,
FIG. 2 is a front elevational view thereof;
FIG. 3 is a right elevational view thereof;
FIG. 4 is a left elevational view thereof;
FIG. 5 is a rear elevational view thereof;
FIG. 6 is a top plan view thereof; and,
FIG. 7 is a bottom plan view thereof.

1 Claim, 7 Drawing Sheets



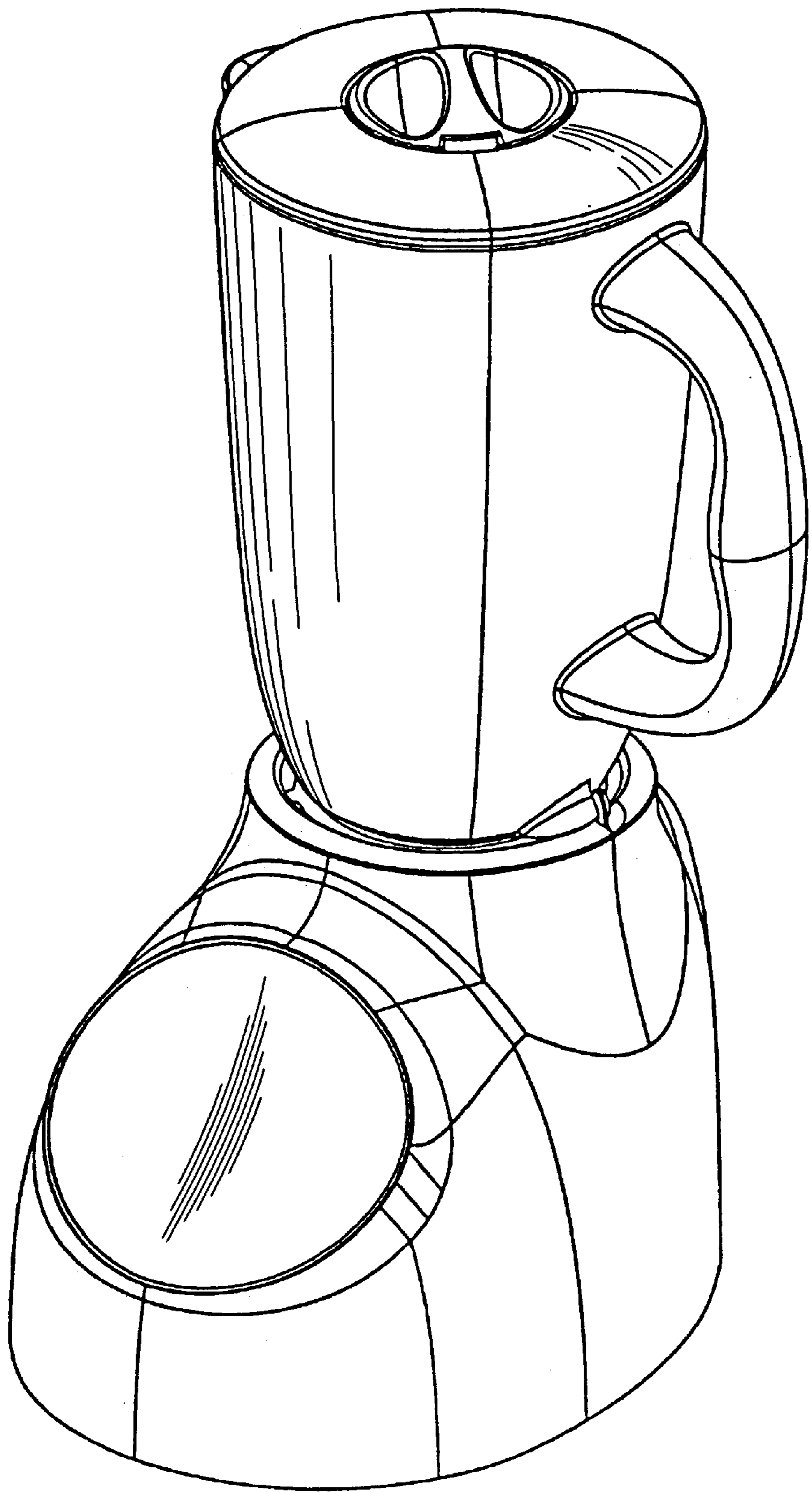


FIG. 1

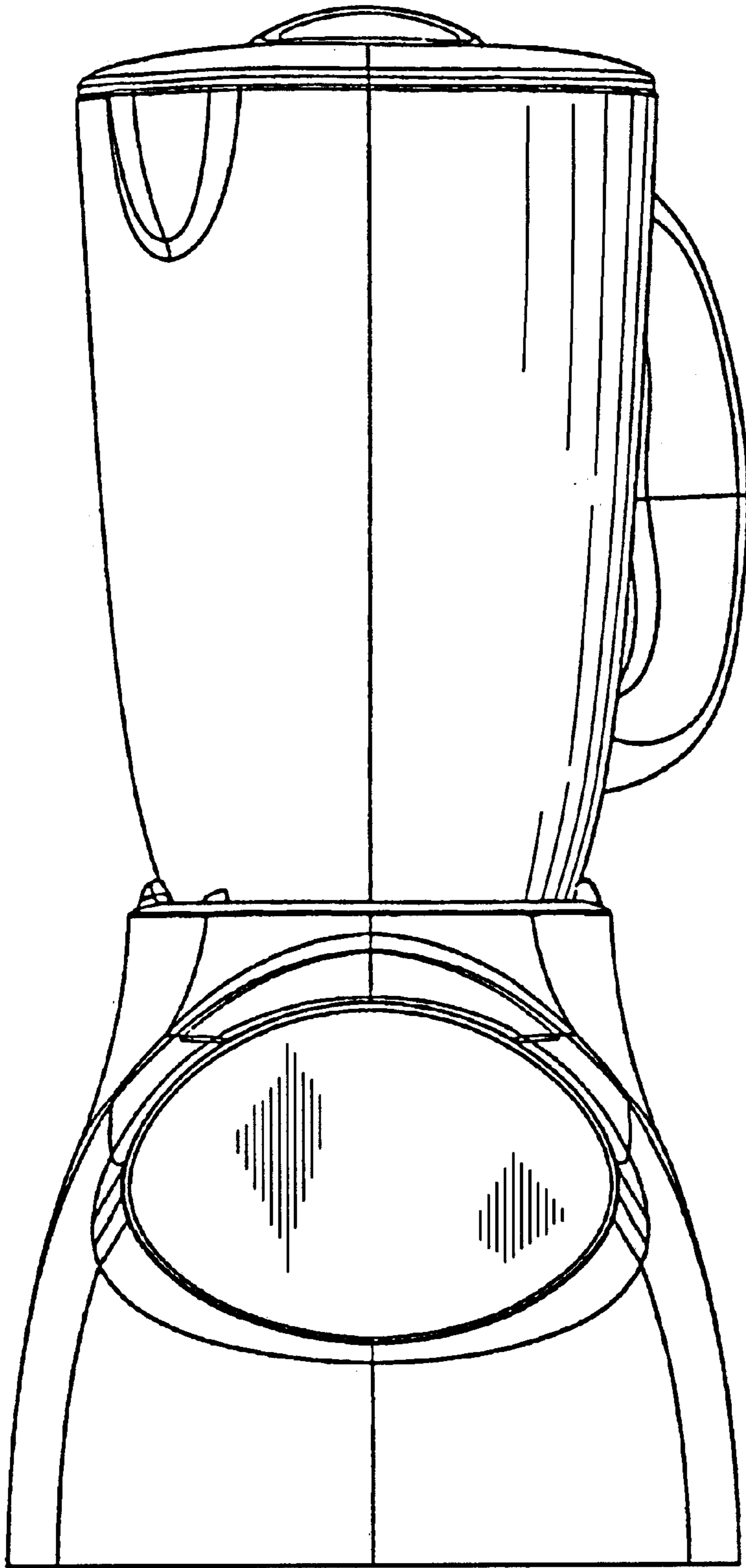


FIG. 2

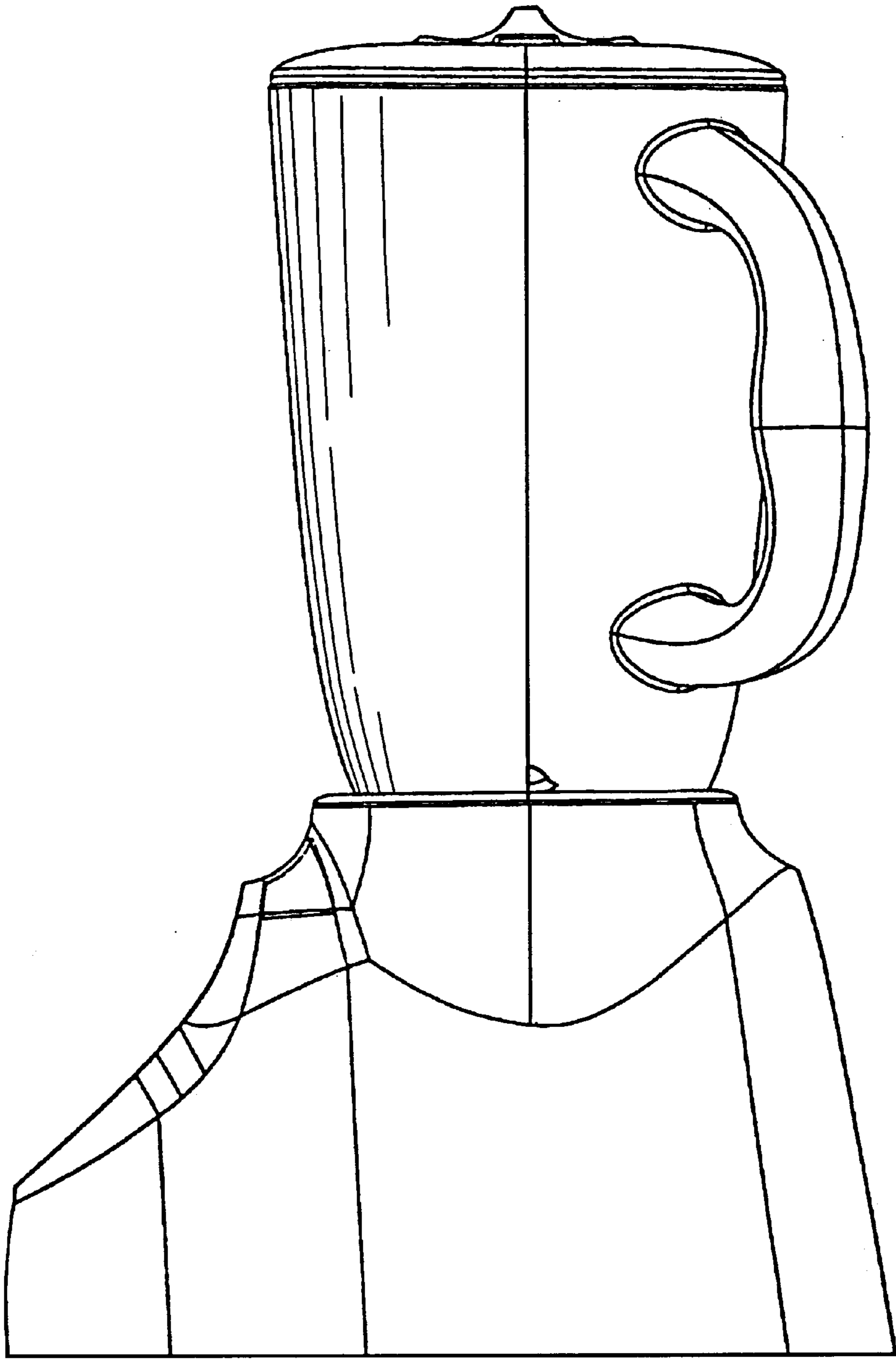


FIG. 3

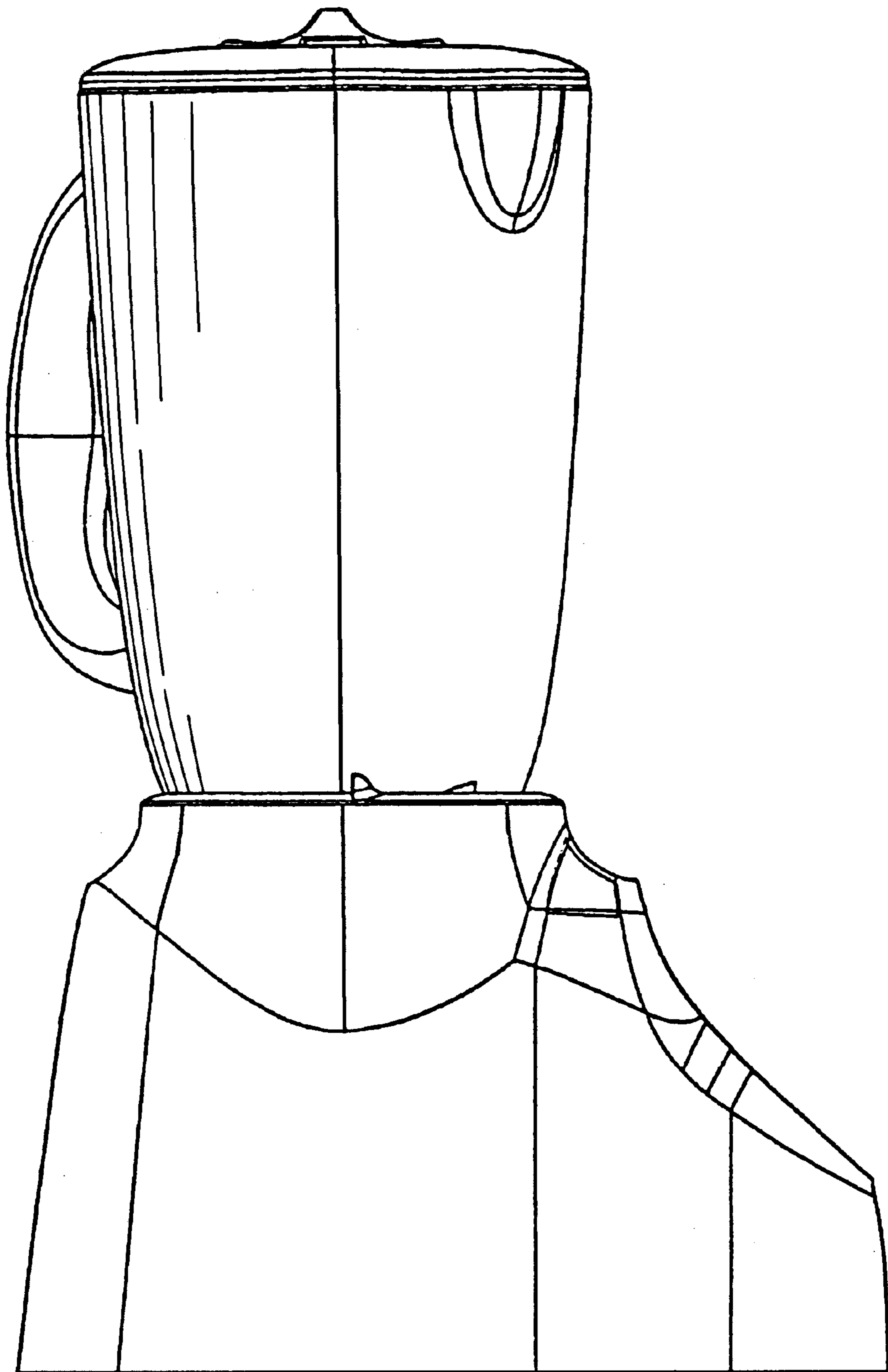


FIG. 4

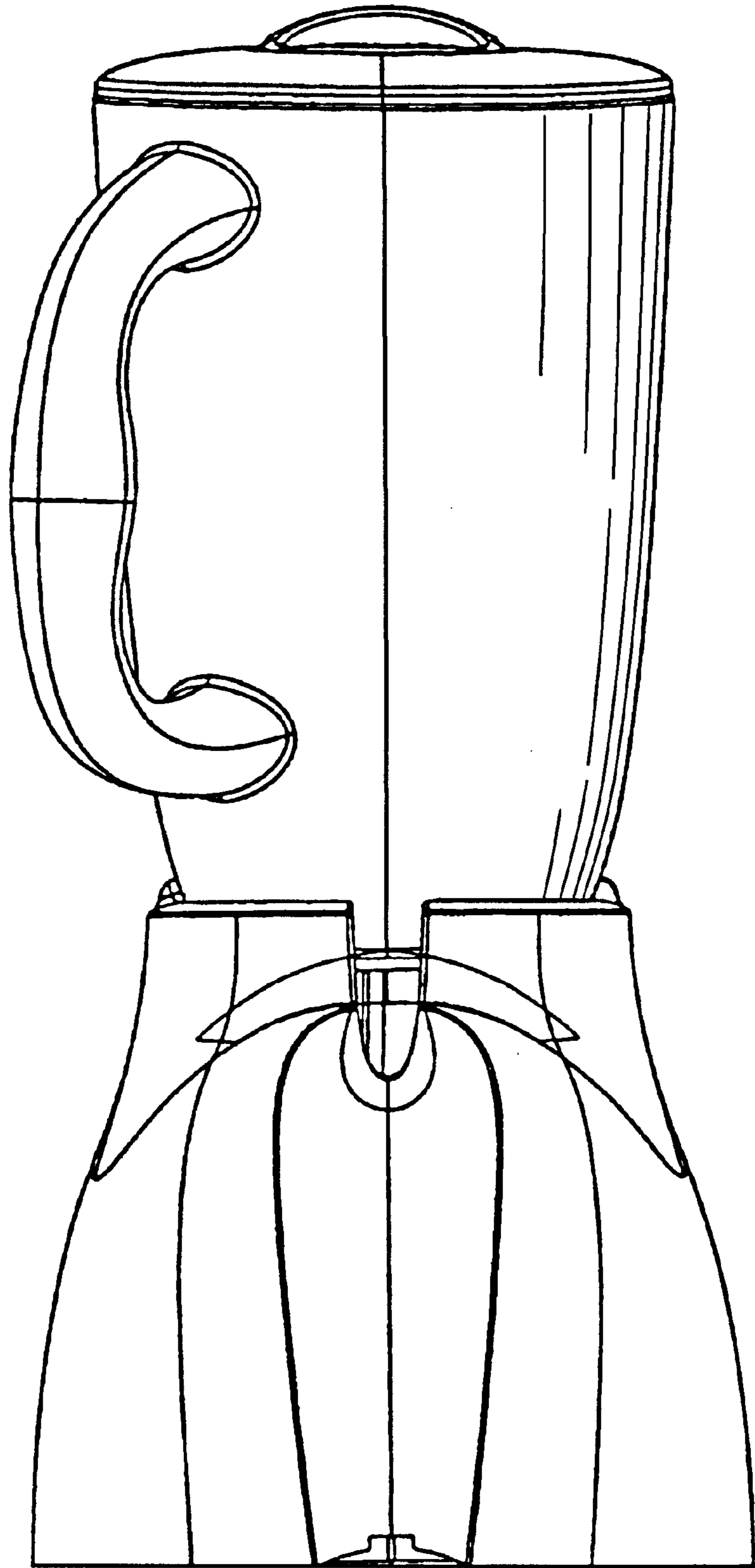


FIG. 5

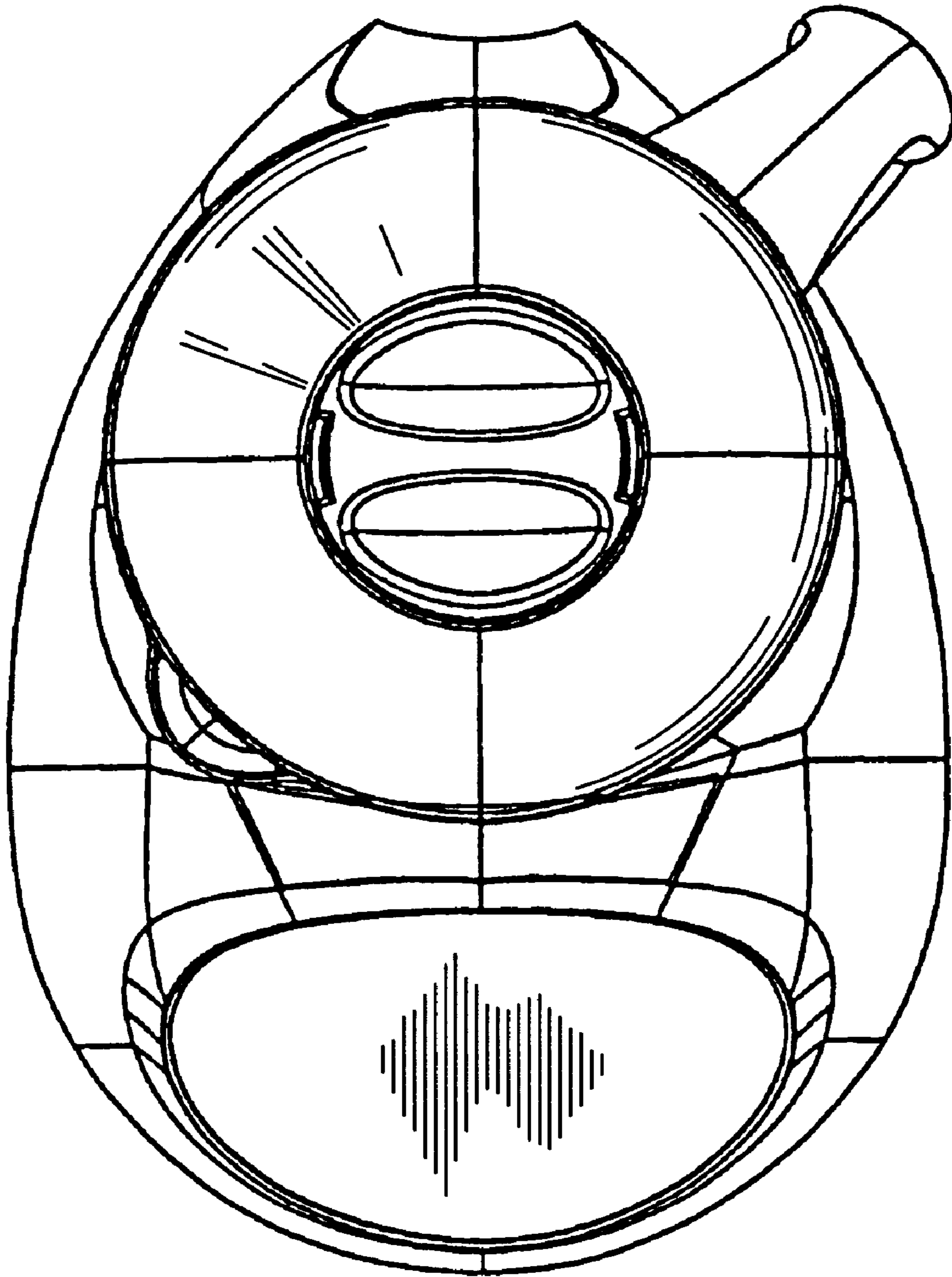


FIG. 6

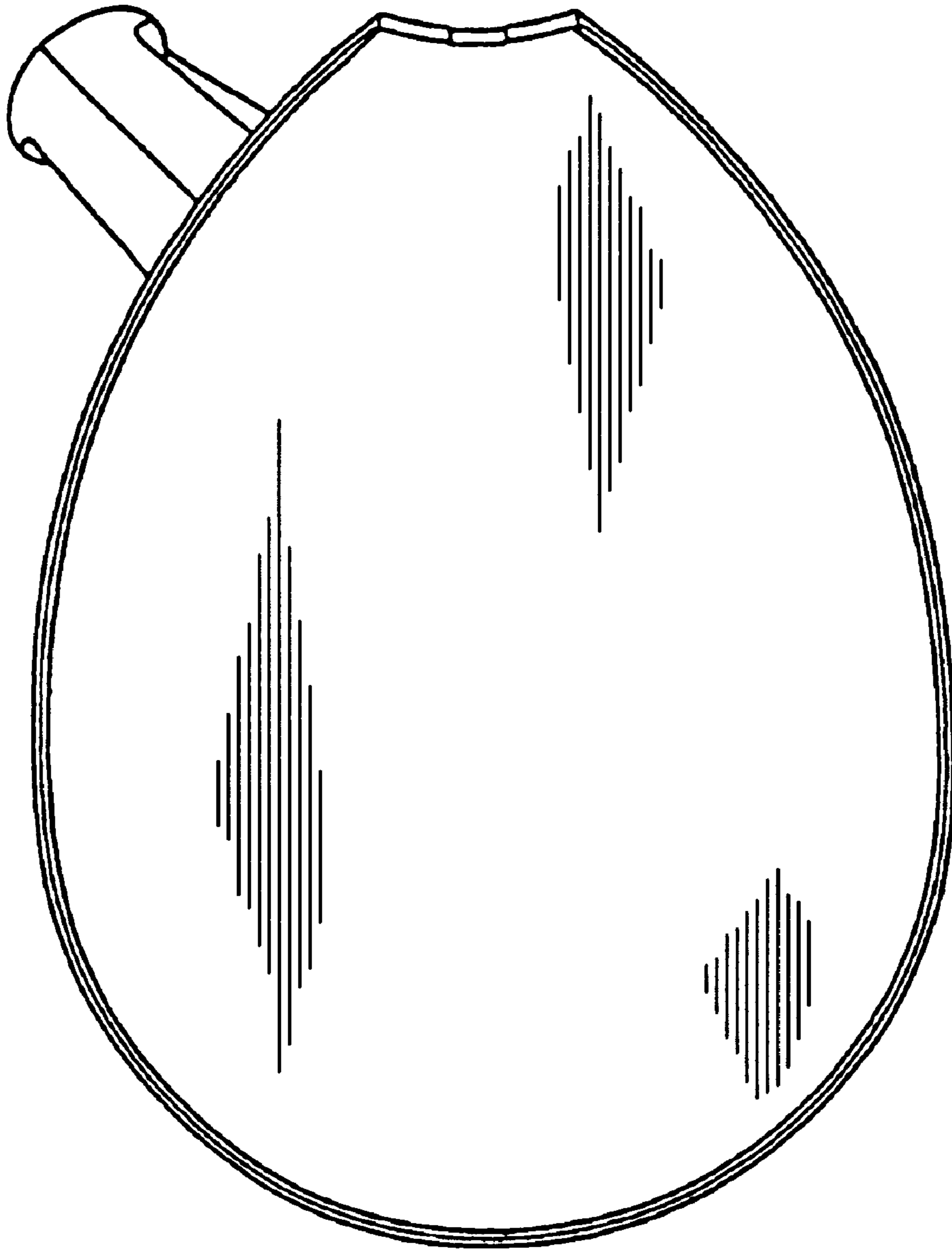


FIG. 7