



US00D417574S

# United States Patent [19] Ludwig

[11] Patent Number: **Des. 417,574**

[45] Date of Patent: **\*\* Dec. 14, 1999**

[54] SOAP DISH

D. 345,068 3/1994 Shafer ..... D5/536  
D. 380,636 7/1997 Goodman et al. .... D6/536  
D. 385,137 10/1997 Von Seidel ..... D6/536

[75] Inventor: **Erin R. Ludwig**, Franklin, Ind.

[73] Assignee: **Franklin Plastic Products, Inc.**,  
Franklin, Ind.

*Primary Examiner*—Marcus A. Jackson  
*Attorney, Agent, or Firm*—Woodard, Emhardt, Naughton,  
Moriarty & McNett

[\*\*] Term: **14 Years**

### [57] CLAIM

[21] Appl. No.: **29/087,765**

The ornamental design for a soap dish, as shown and described.

[22] Filed: **May 8, 1998**

[51] LOC (6) Cl. .... **06-02**

[52] U.S. Cl. .... **D6/536**

[58] Field of Search ..... D6/532, 536, 529,  
D6/533, 537; D28/76; 4/628, 656; 206/77.1,  
557, 559, 561, 565

### DESCRIPTION

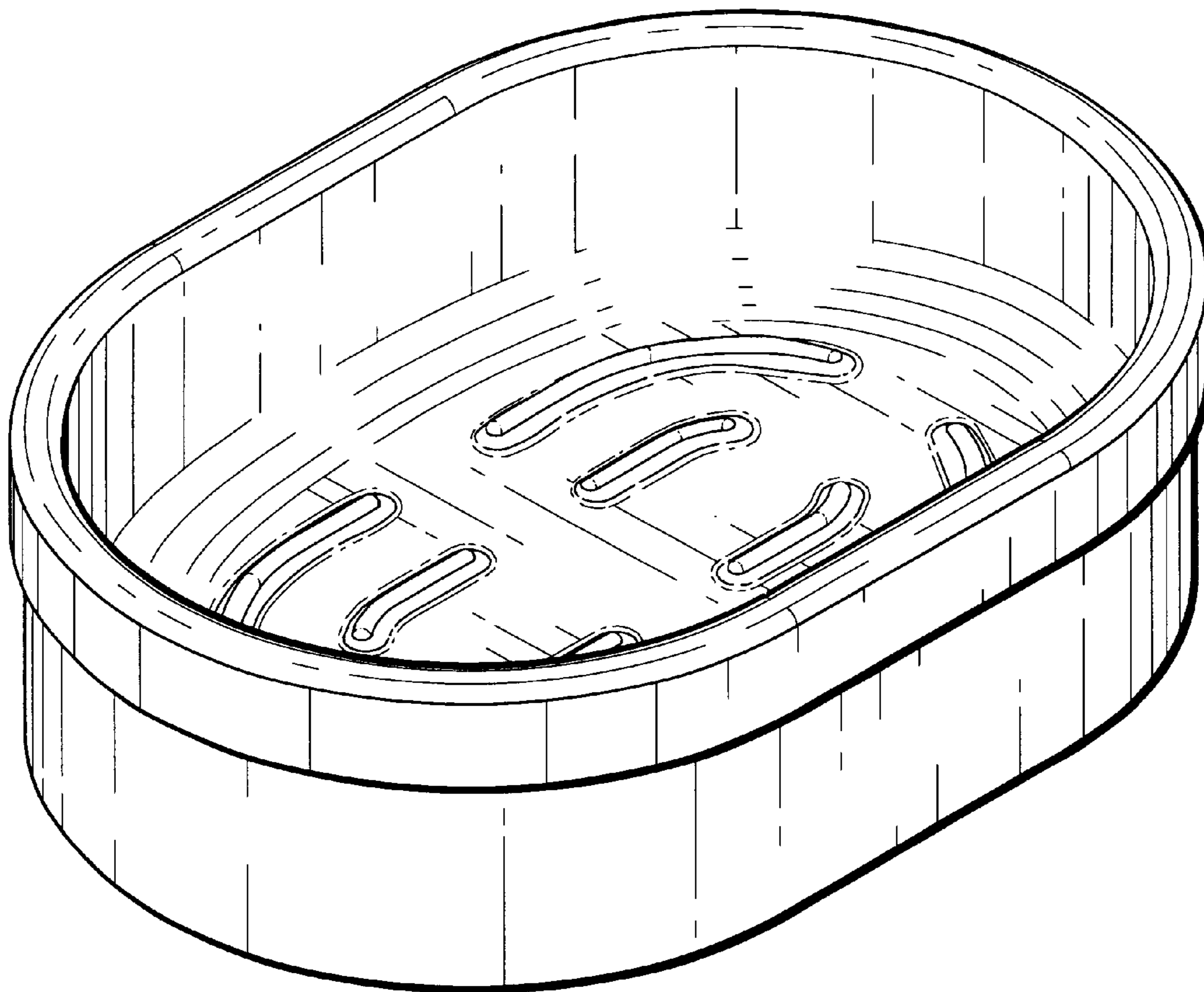
FIG. 1 is a perspective view of an embodiment of the design. FIG. 2 is an end plan view of an embodiment of the design. FIG. 3 is a side plan view of an embodiment of the design. FIG. 4 is a side plan view of an embodiment of the design; and, FIG. 5 is a bottom plan view of an embodiment of the design.

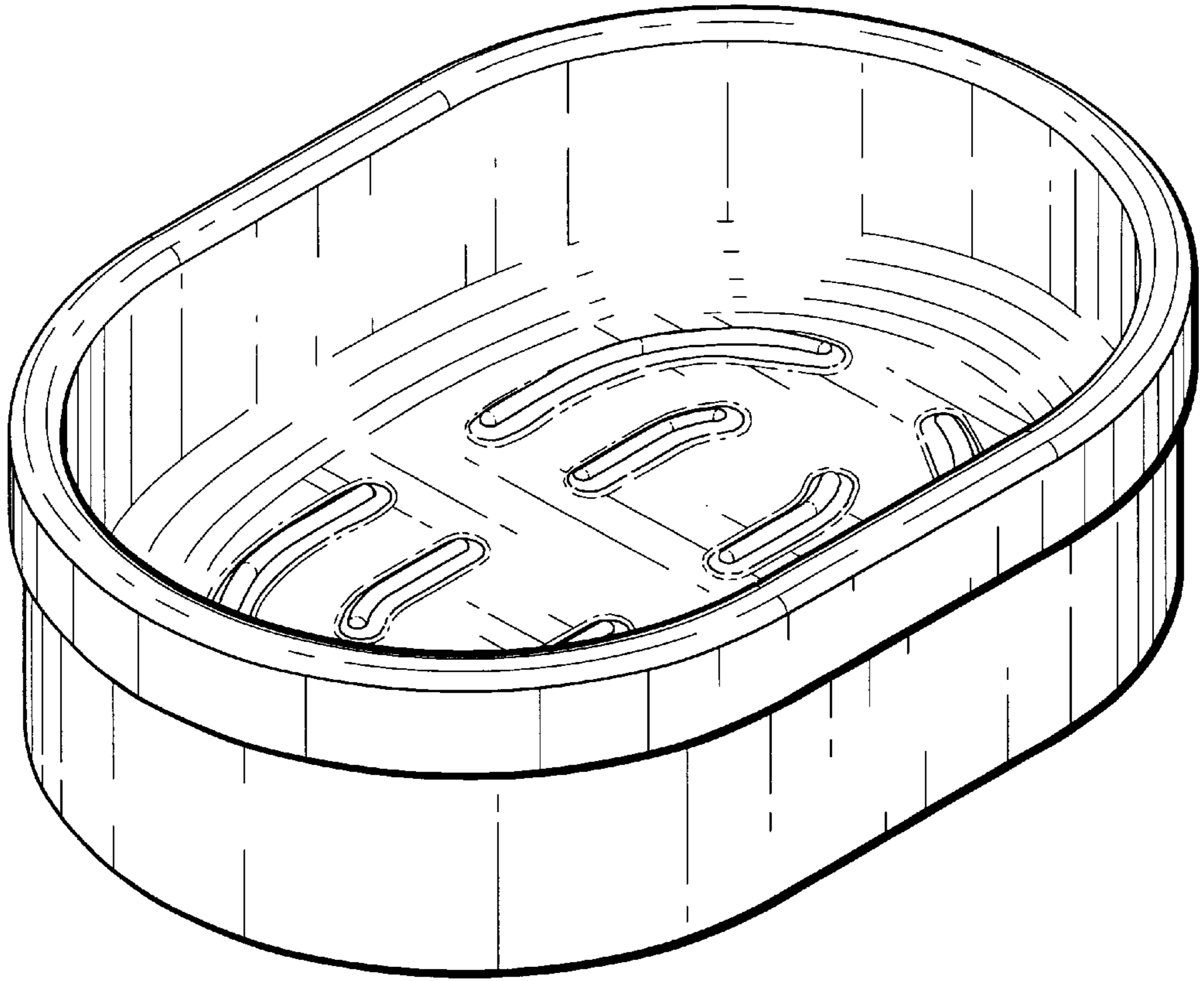
### [56] References Cited

#### U.S. PATENT DOCUMENTS

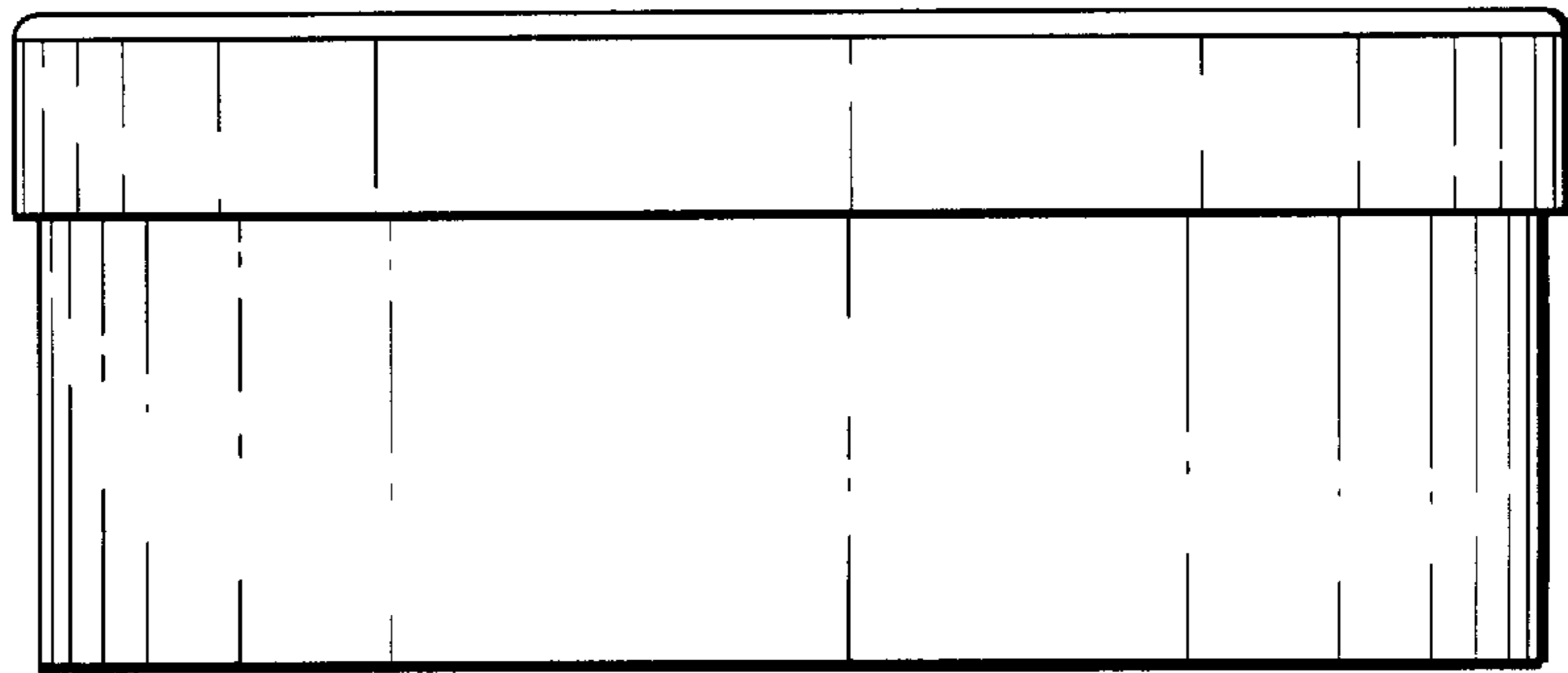
D. 287,321 12/1986 Bussell ..... D6/536  
D. 341,972 12/1993 Jiramani et al. .... D6/536

**1 Claim, 3 Drawing Sheets**

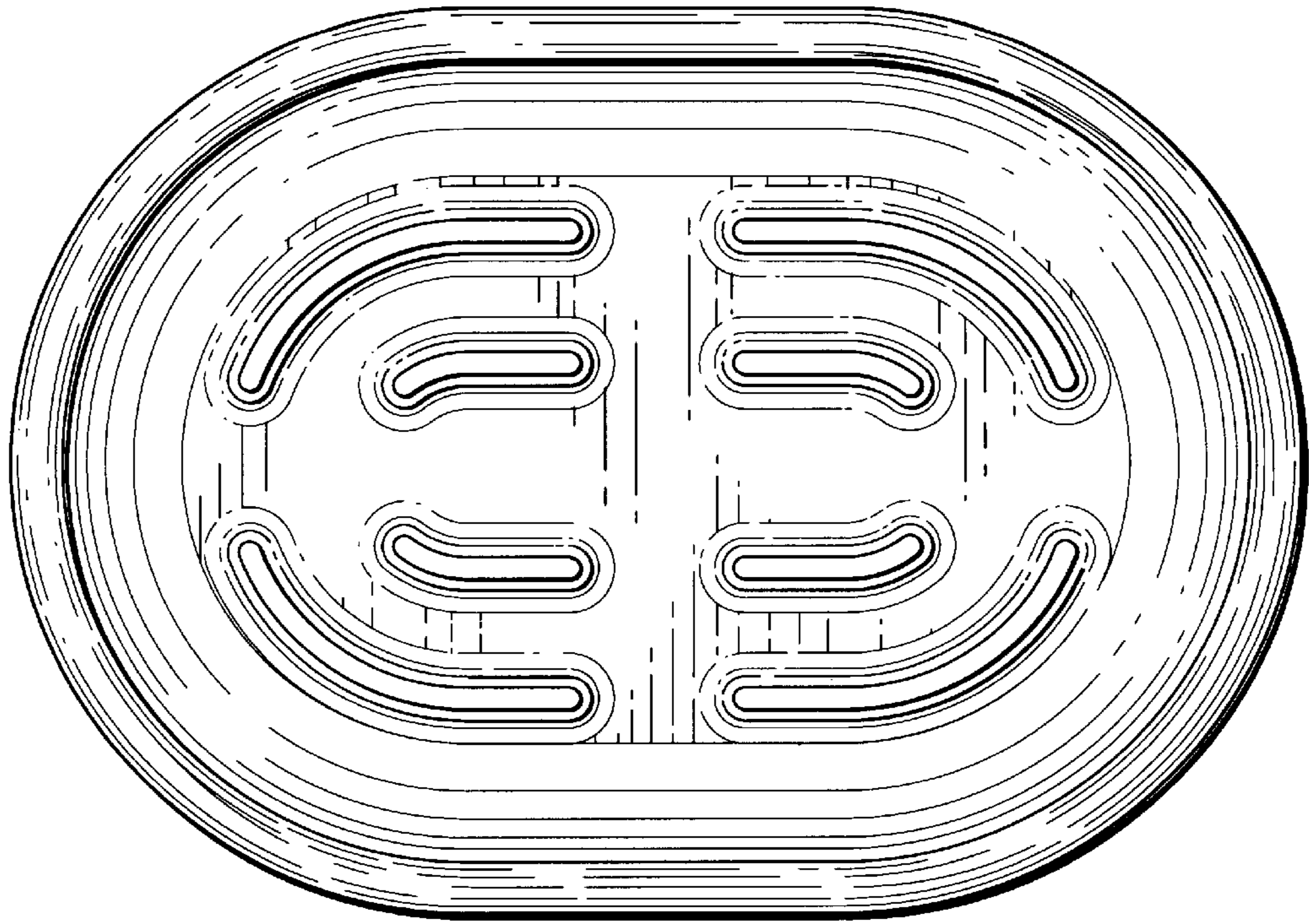




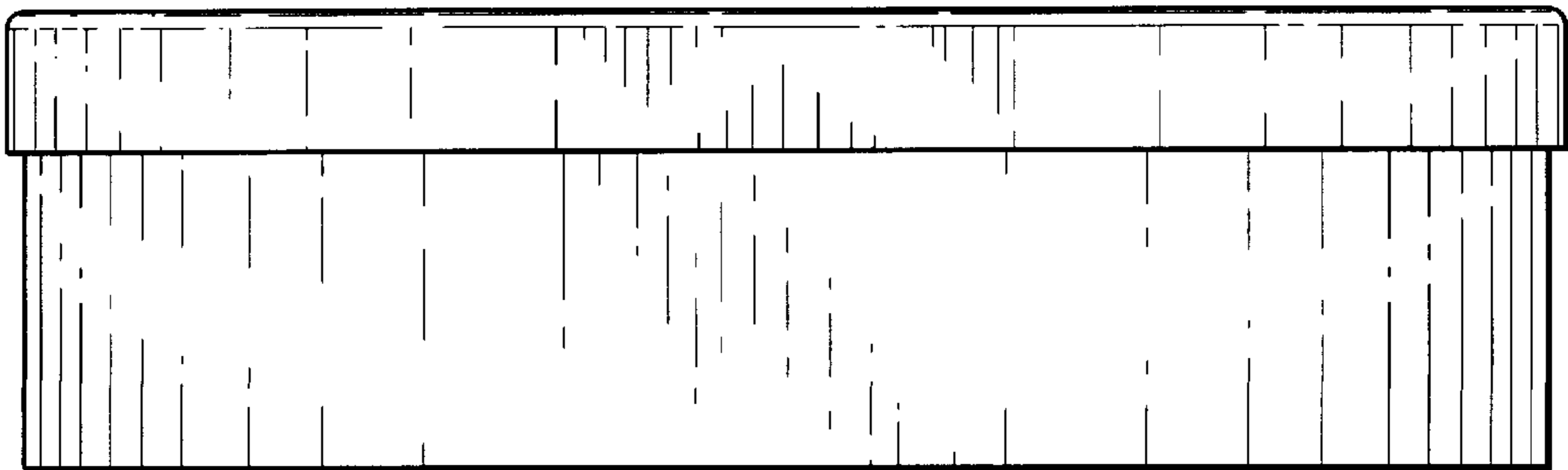
**Fig. 1**



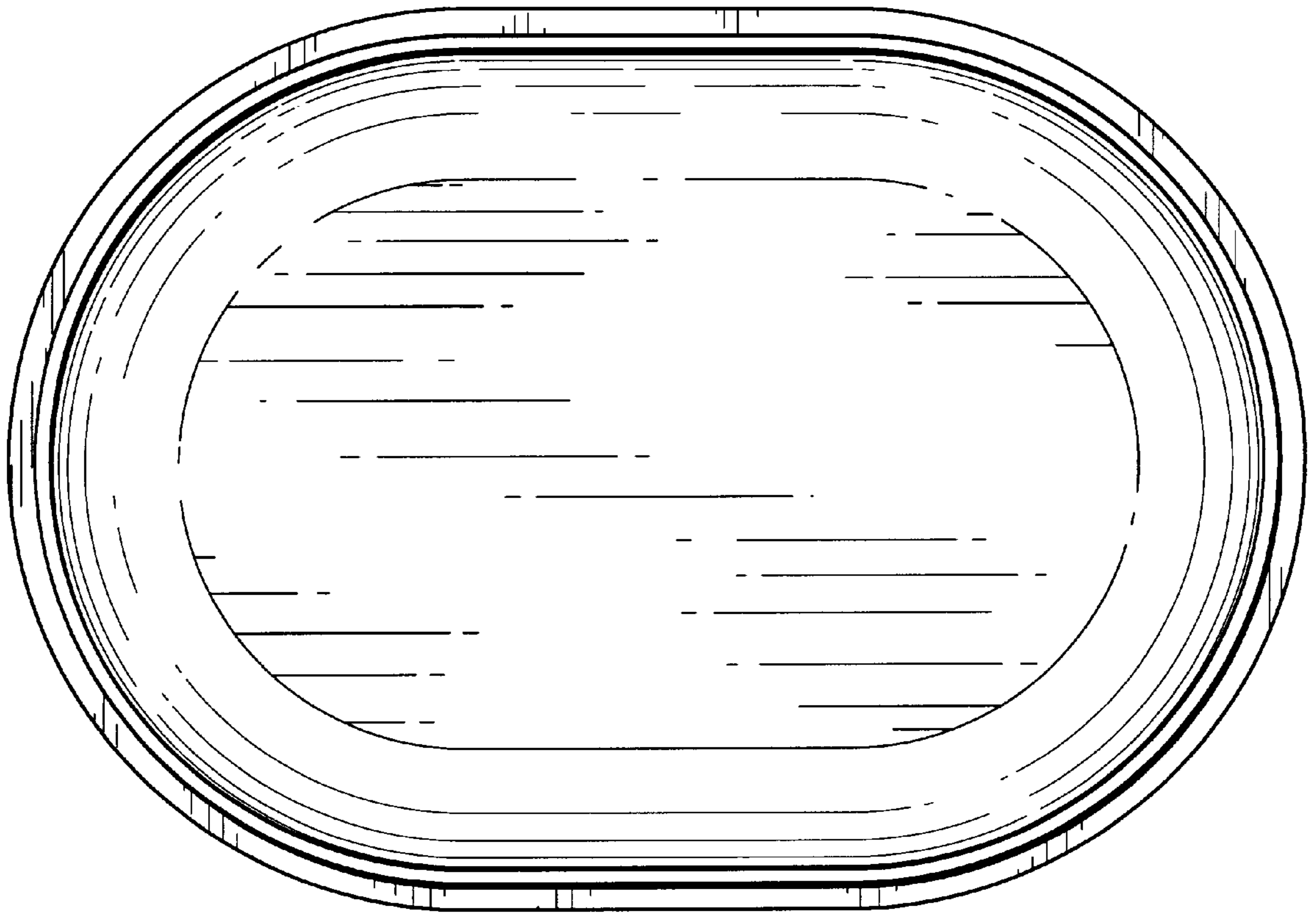
**Fig. 2**



**Fig. 3**



**Fig. 4**



**Fig. 5**