



US00D417567S

United States Patent [19] Barile

[11] **Patent Number: Des. 417,567**

[45] **Date of Patent: ** Dec. 14, 1999**

[54] **CHAIR TRIM**

[75] Inventor: **Peter Barile**, Morristown, Tenn.

[73] Assignee: **Shelby Williams Industries, Inc.**,
Morristown, Tenn.

[**] Term: **14 Years**

[21] Appl. No.: **29/086,726**

[22] Filed: **Apr. 18, 1998**

[51] **LOC (6) Cl.** **06-06**

[52] **U.S. Cl.** **D6/500**

[58] **Field of Search** D6/334, 336, 368,
D6/374, 375, 379, 380; D25/119, 120, 121,
122, 136, 164; 297/252.29, 452.38, 452.65,
463.1, 463.2; 248/345.1

[56] **References Cited**

U.S. PATENT DOCUMENTS

5,195,713 3/1993 Van Dore et al. 248/345.1
5,428,186 6/1995 Steinfeld et al. 248/345.1

OTHER PUBLICATIONS

Extrusion #123, p. 1520, Modern Plastics Encyclopedia, 1948.

Primary Examiner—Doris V. Coles
Assistant Examiner—Mimosa De
Attorney, Agent, or Firm—Pitts & Brittan, P.C.

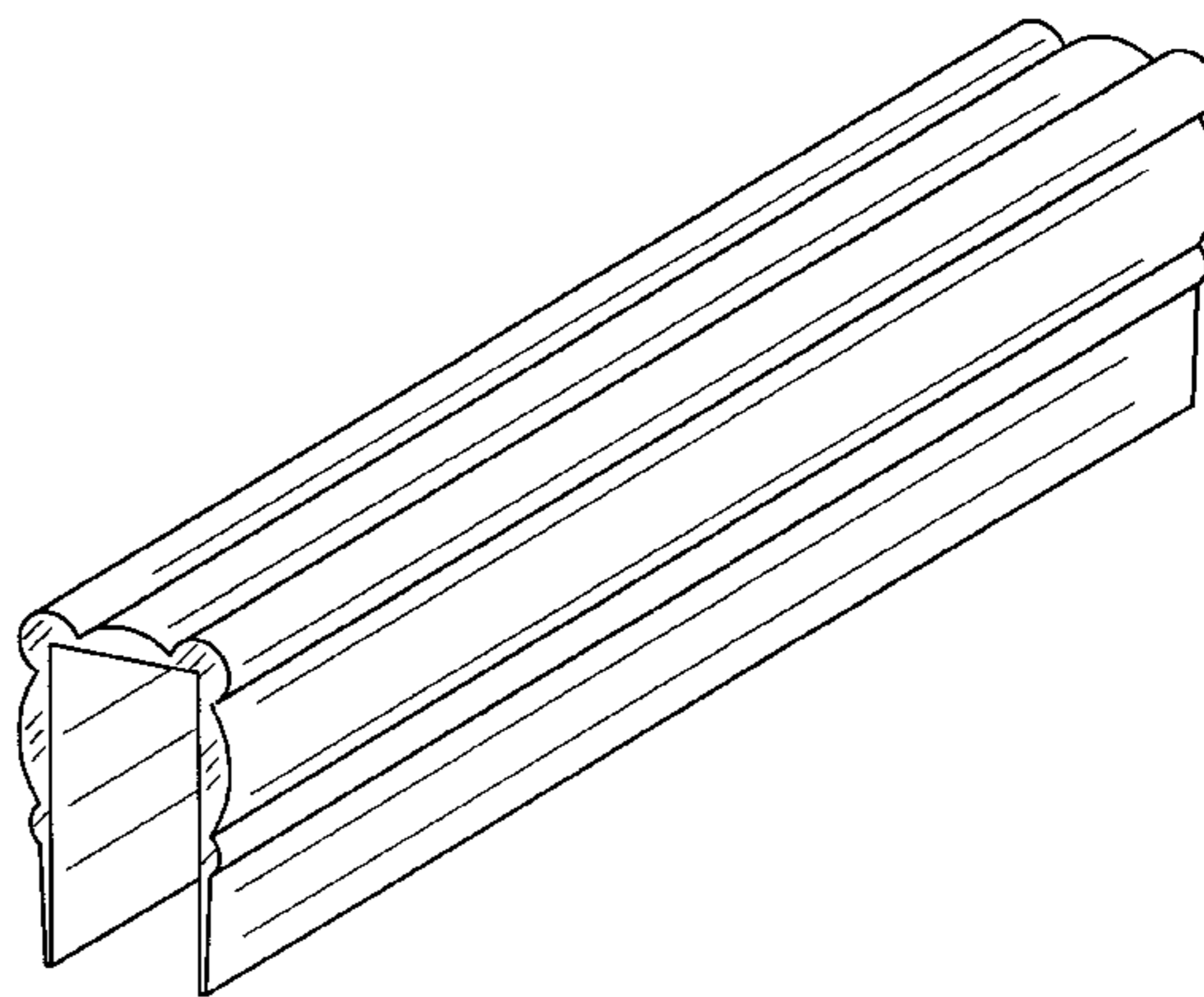
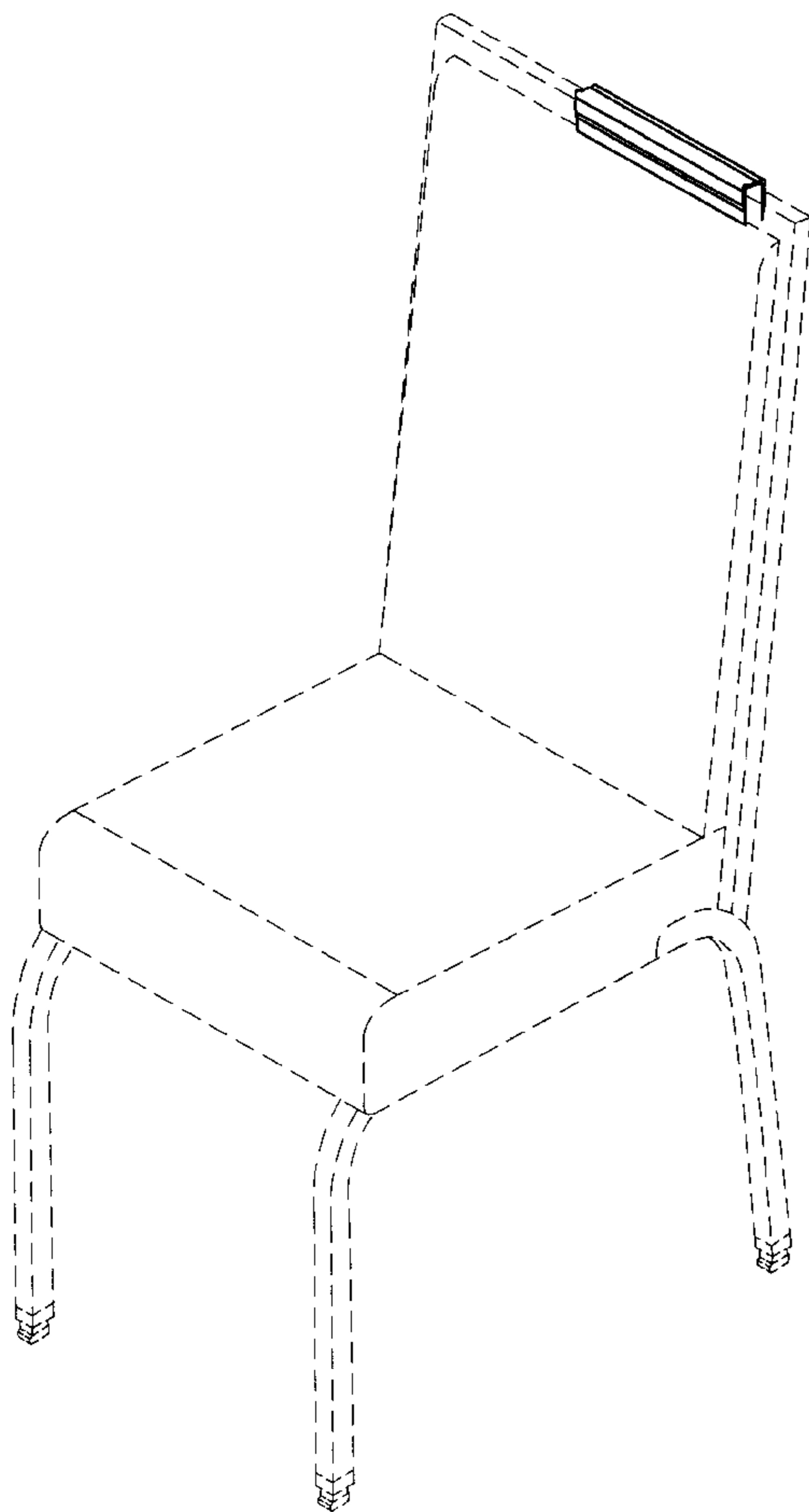
[57] **CLAIM**

The ornamental design for a chair trim, as shown and described.

DESCRIPTION

FIG. 1 is a perspective view of a chair trim shown in position of use;
FIG. 2 is an enlarged front view thereof;
FIG. 3 is a top view of FIG. 2;
FIG. 4 is an enlarged right side view, the left side view being a mirror image thereof;
FIG. 5 is a bottom view of FIG. 2; and,
FIG. 6 is a perspective view of FIG. 2.
The broken line showing in FIG. 1 is for illustrative purposes only and forms no part of the claimed design.

1 Claim, 3 Drawing Sheets



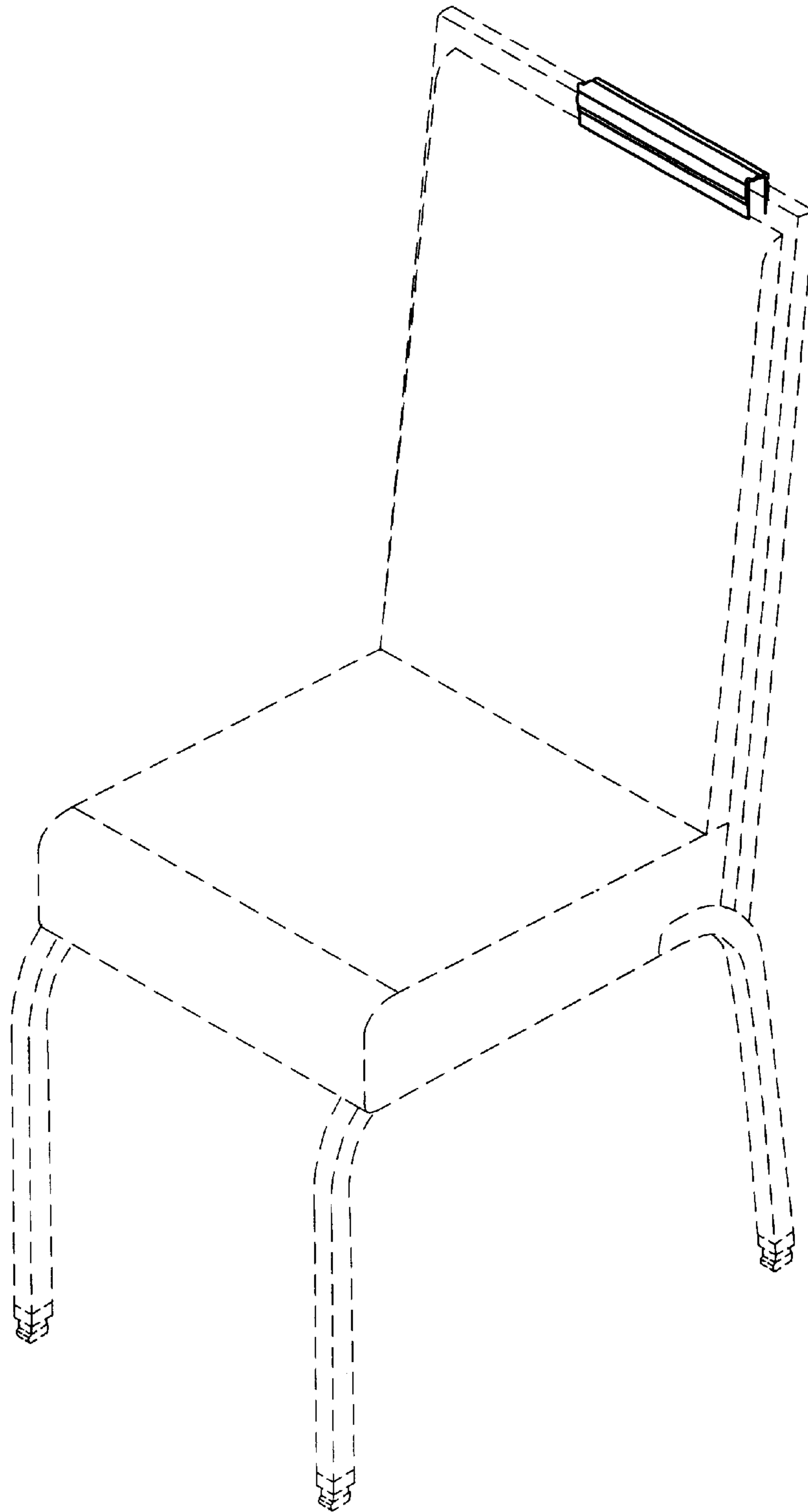


Fig. 1

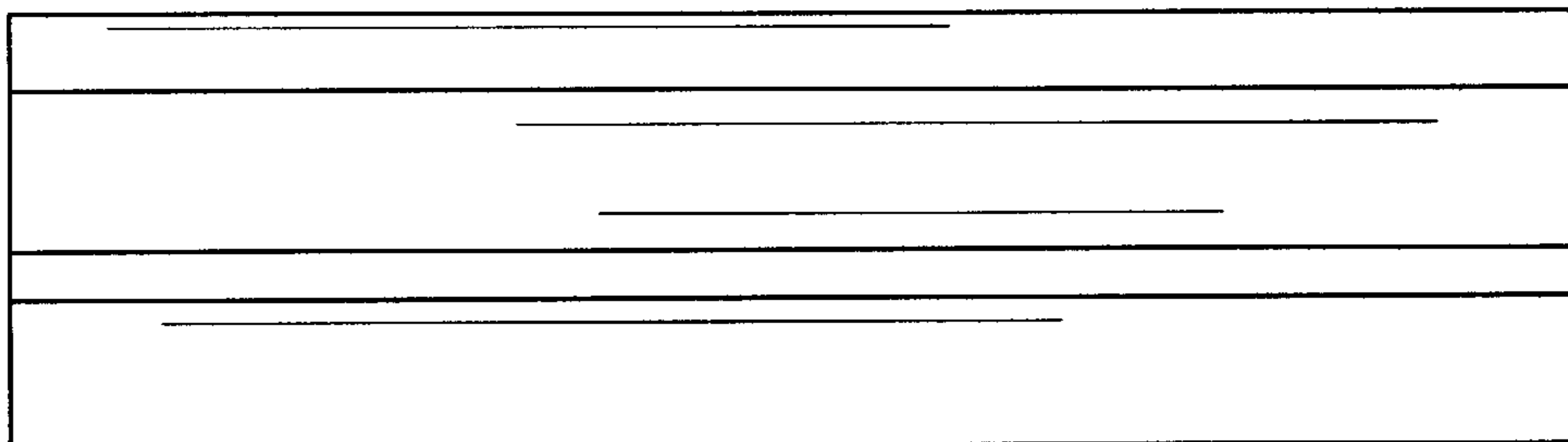


Fig. 2

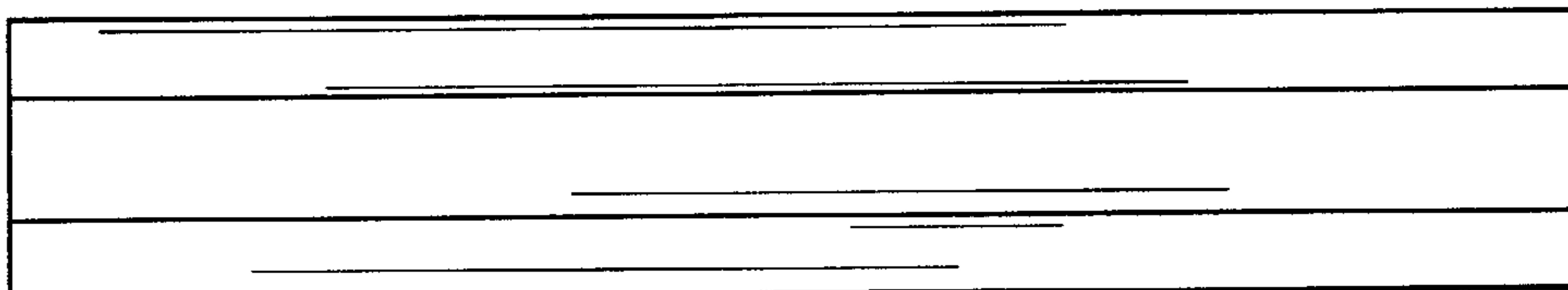


Fig. 3

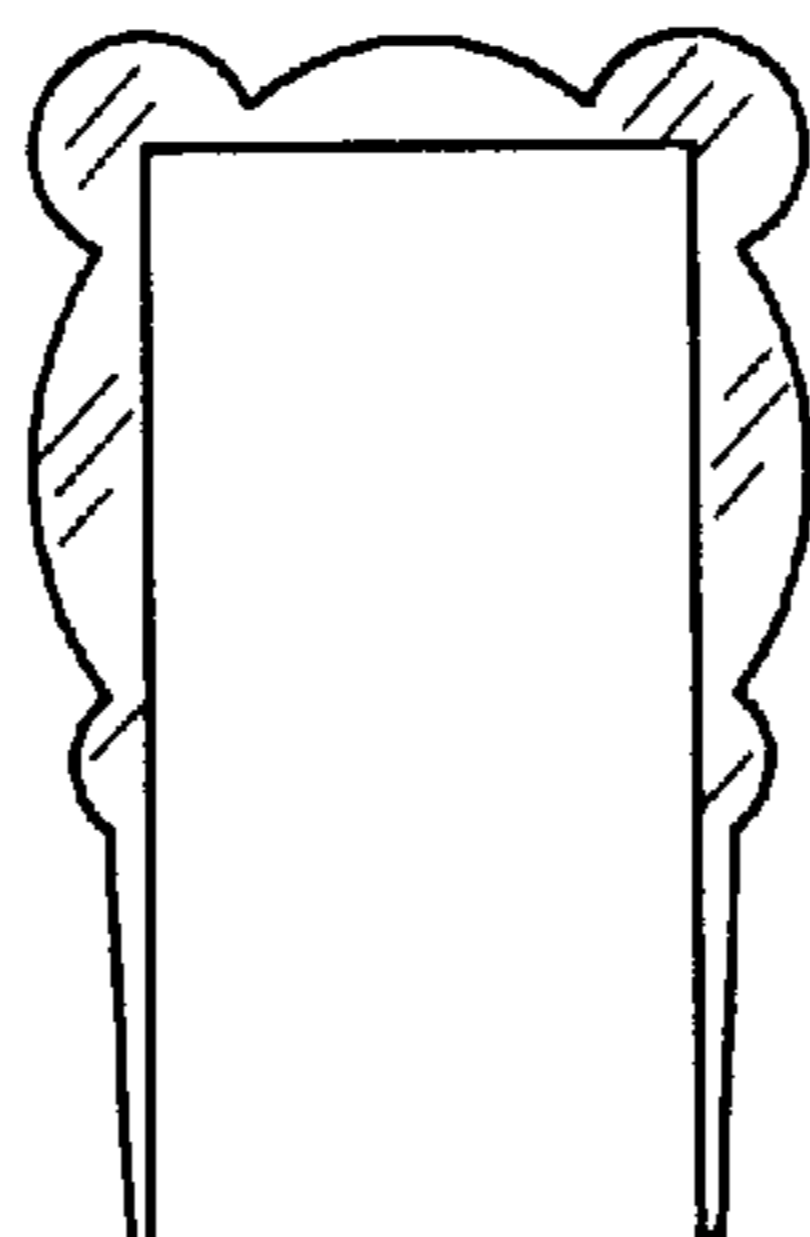


Fig. 4

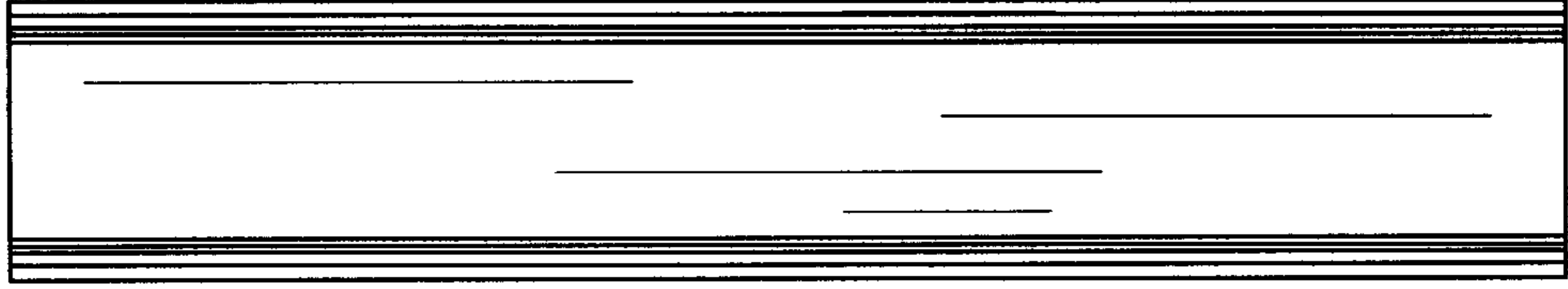


Fig. 5

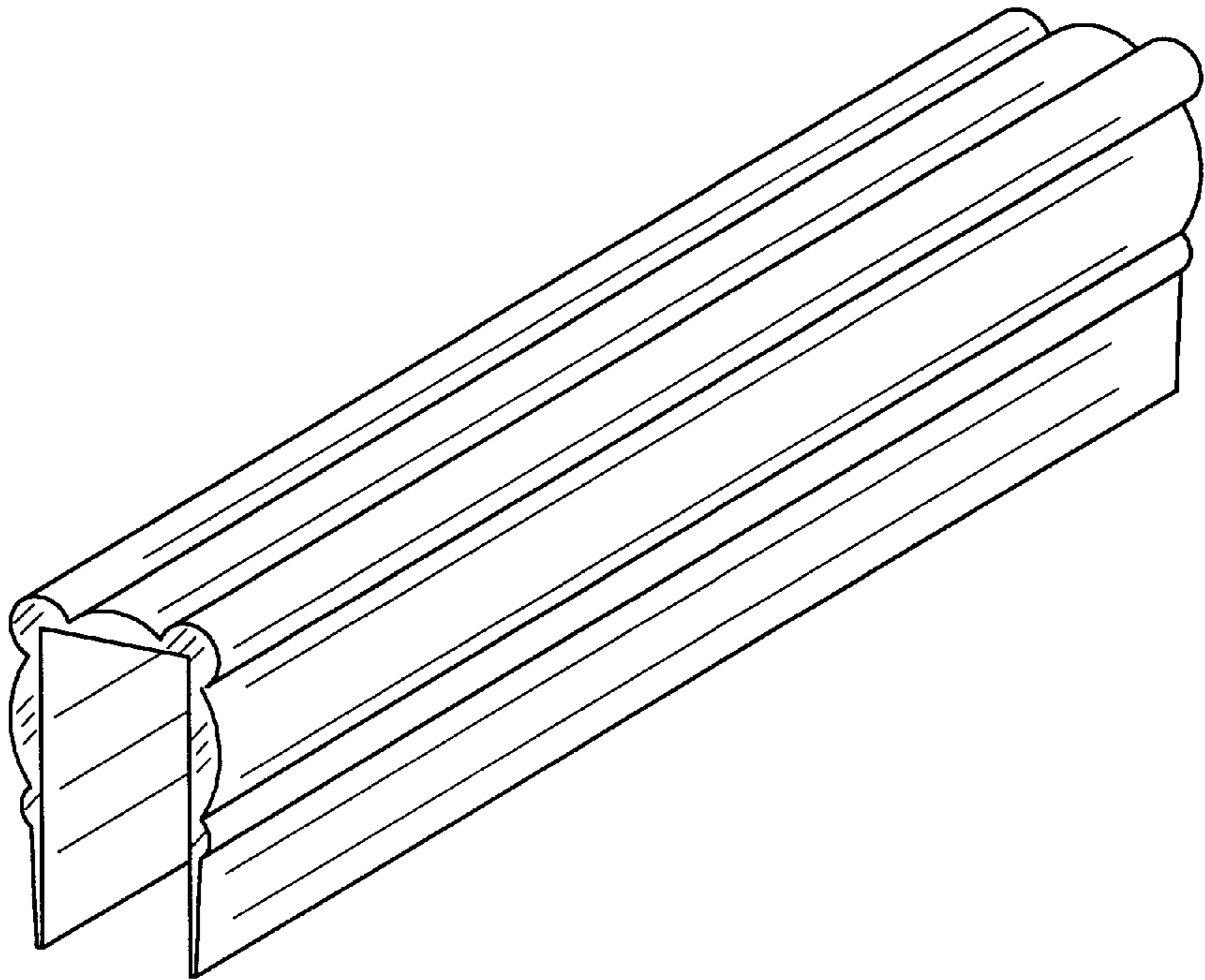


Fig. 6