



US00D417566S

# United States Patent [19]

Baldwin et al.

[11] Patent Number: **Des. 417,566**

[45] Date of Patent: **\*\* \*Dec. 14, 1999**

[54] **DESKTOP PICTURE FRAME SUPPORT AND EYEGLASS HOLDER**

[75] Inventors: **Joseph R. Baldwin**, Hempstead; **Flavio Rivera**, Brooklyn, both of N.Y.

[73] Assignee: **Creative Minds of Long Island, Inc.**, Hempstead, N.Y.

[\*] Notice: This patent is subject to a terminal disclaimer.

[\*\*] Term: **14 Years**

[21] Appl. No.: **29/082,008**

[22] Filed: **Jan. 13, 1998**

[51] **LOC (6) Cl.** ..... **06-04**

[52] **U.S. Cl.** ..... **D6/462**

[58] **Field of Search** ..... D6/300, 301, 313, D6/396, 449, 462-468, 475; D19/77, 81, 84, 91, 92, 95; 211/1, 13.1, 85.1, 133.2; 248/441.1, 451, 466, 469, 473, 121, 153, 175, 176.1, 902; 40/341, 659, 700, 746, 798

## [56] **References Cited**

### U.S. PATENT DOCUMENTS

D. 28,616 5/1898 Stauber ..... D6/313  
58,716 10/1866 Crossman ..... 211/50

D. 145,809 10/1946 Lewis ..... D19/77 X  
D. 212,291 9/1968 Hamilton et al. .... D6/462  
D. 250,201 11/1978 Pierce ..... D19/77 X  
D. 272,944 3/1984 Coughlin ..... D6/463 X  
D. 363,312 10/1995 Willems ..... D19/91 X  
3,099,101 7/1963 Burris ..... 248/902 X  
5,568,872 10/1996 Hinnant, Sr. .... 248/902 X

*Primary Examiner*—Doris V. Coles  
*Assistant Examiner*—Linda Brooks  
*Attorney, Agent, or Firm*—Darby & Darby

## [57] **CLAIM**

The ornamental design for a desktop picture frame support and eyeglass holder, as shown and described.

## **DESCRIPTION**

FIG. 1 is a top, front and left side perspective view of our new design for a desktop picture frame support and eyeglass holder with a picture, pen and eyeglasses shown in broken lines for purposes of illustration only and forming no part of the claimed design.

FIG. 2 is a front elevational view of our new design on an enlarged scale;

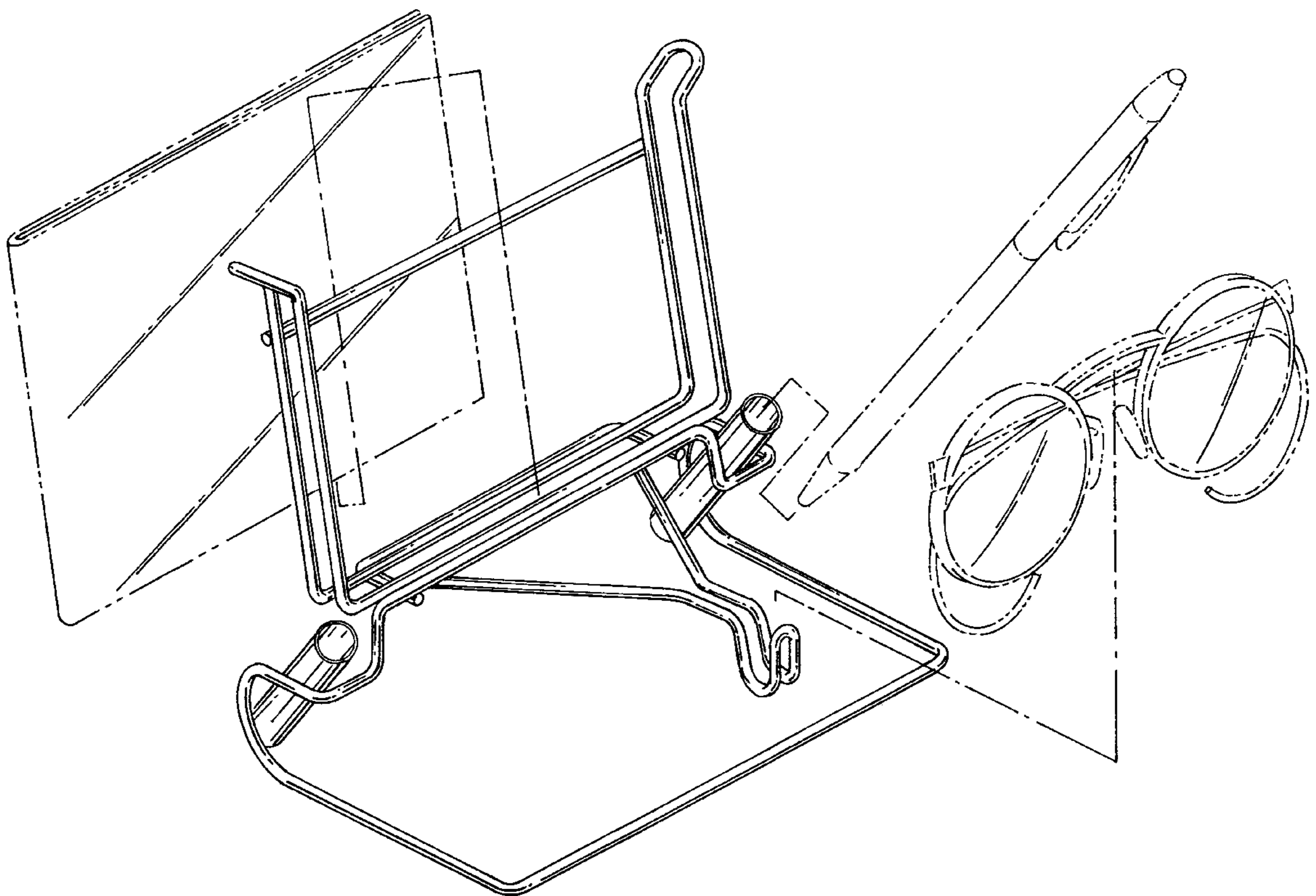
FIG. 3 is a rear elevation view of FIG. 2;

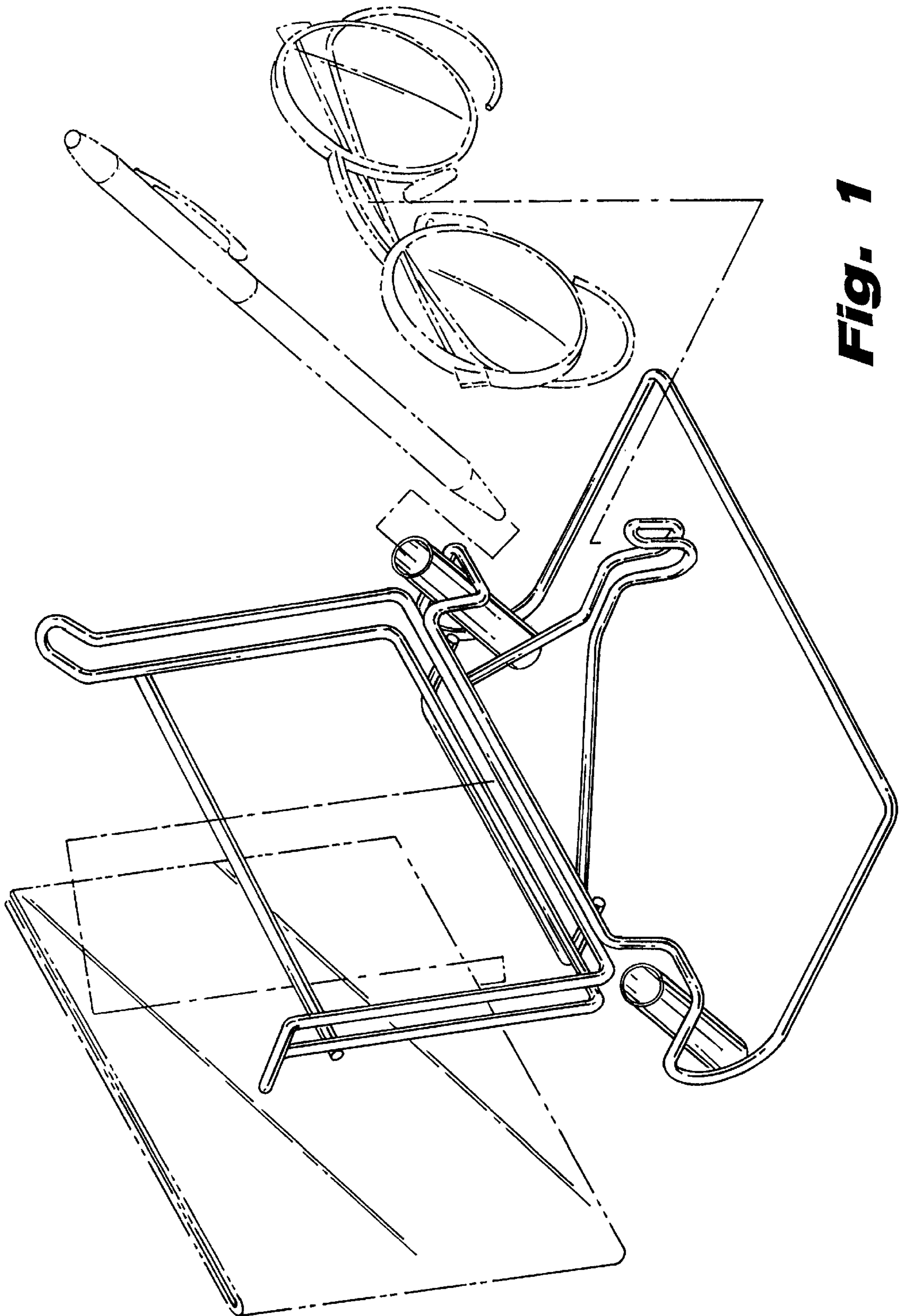
FIG. 4 is a left side elevation view of FIG. 2 of which a right side elevation view is a mirror image;

FIG. 5 is a top plan view of FIG. 2; and,

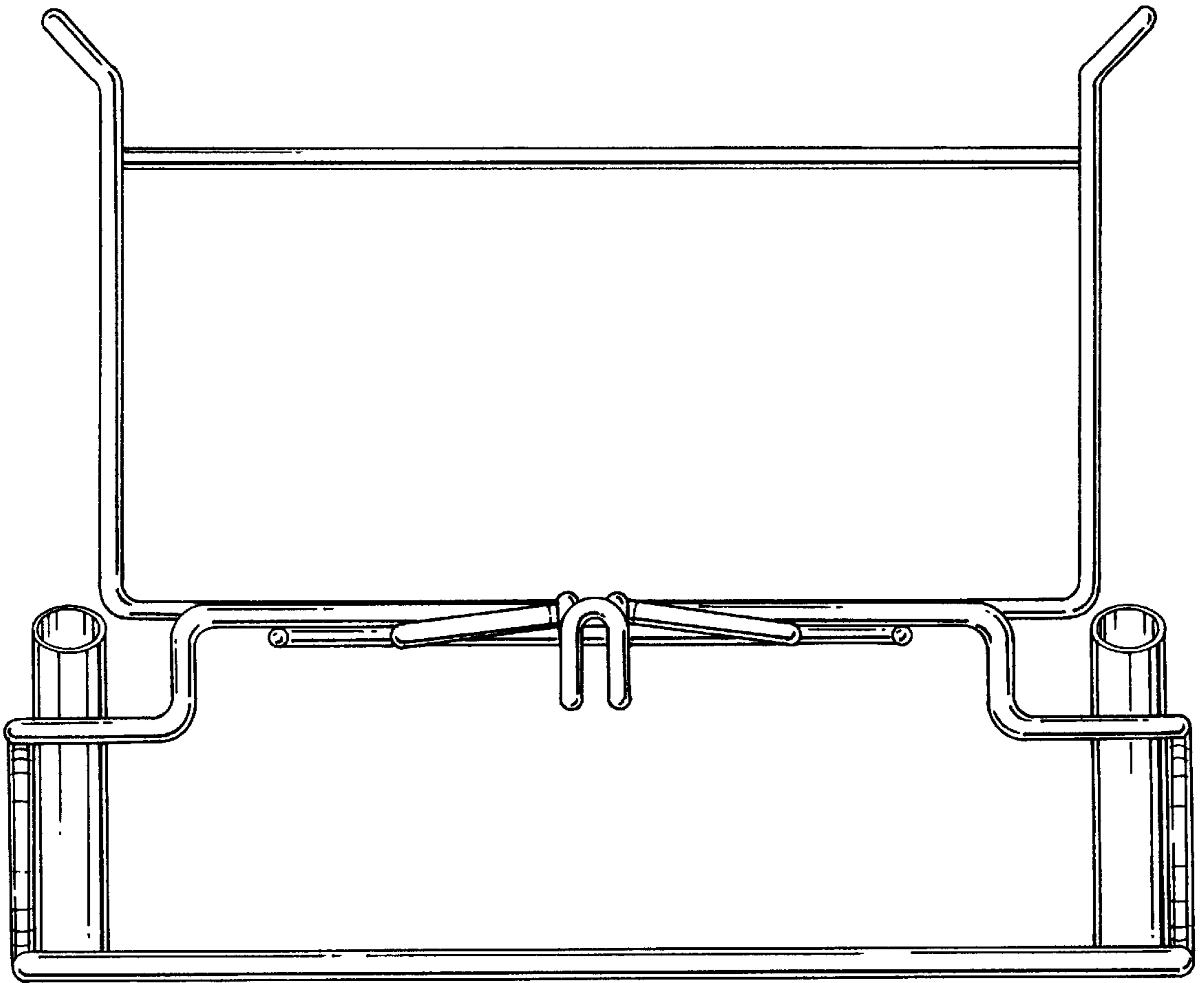
FIG. 6 is a bottom plan view of FIG. 2.

**1 Claim, 6 Drawing Sheets**

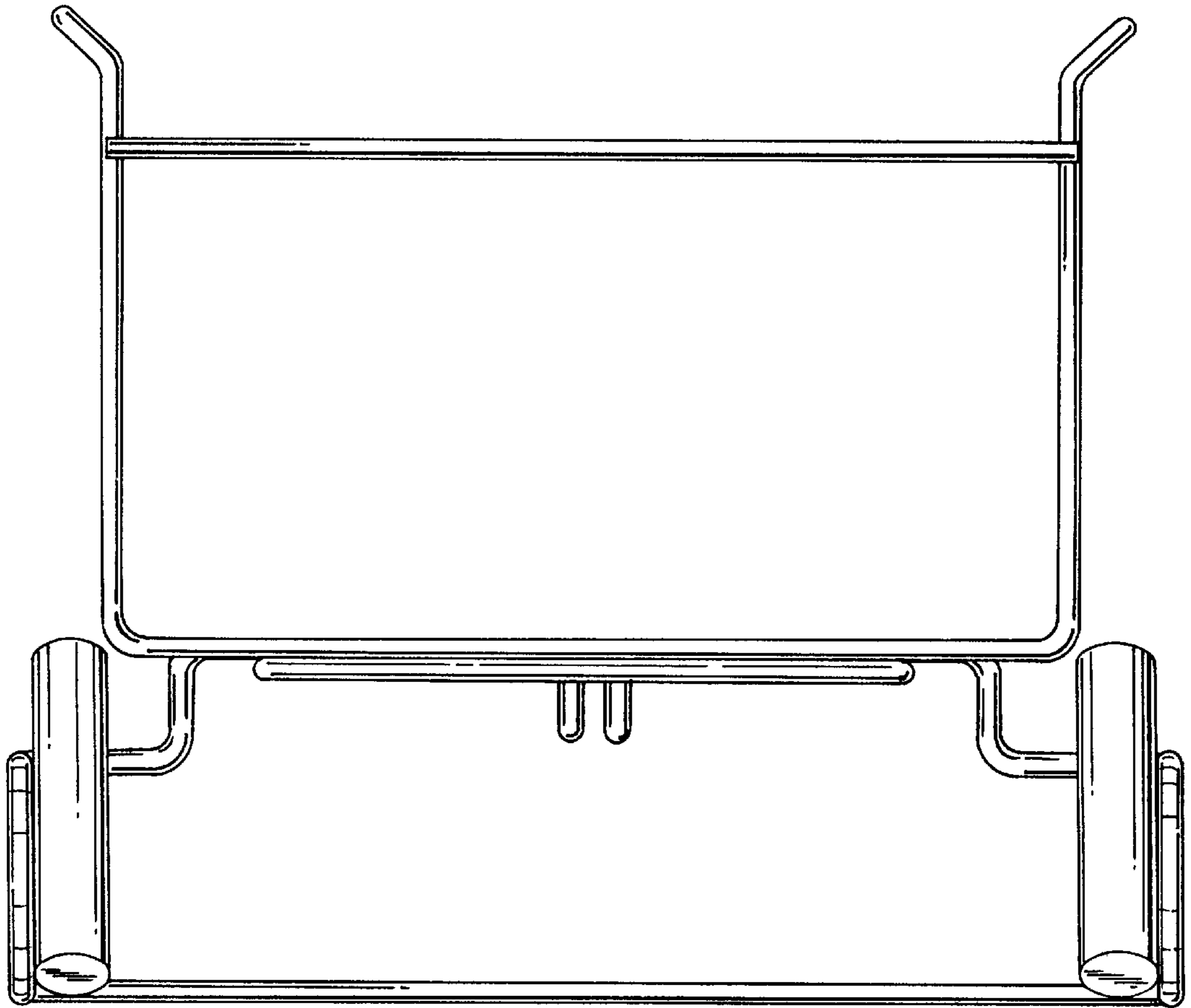




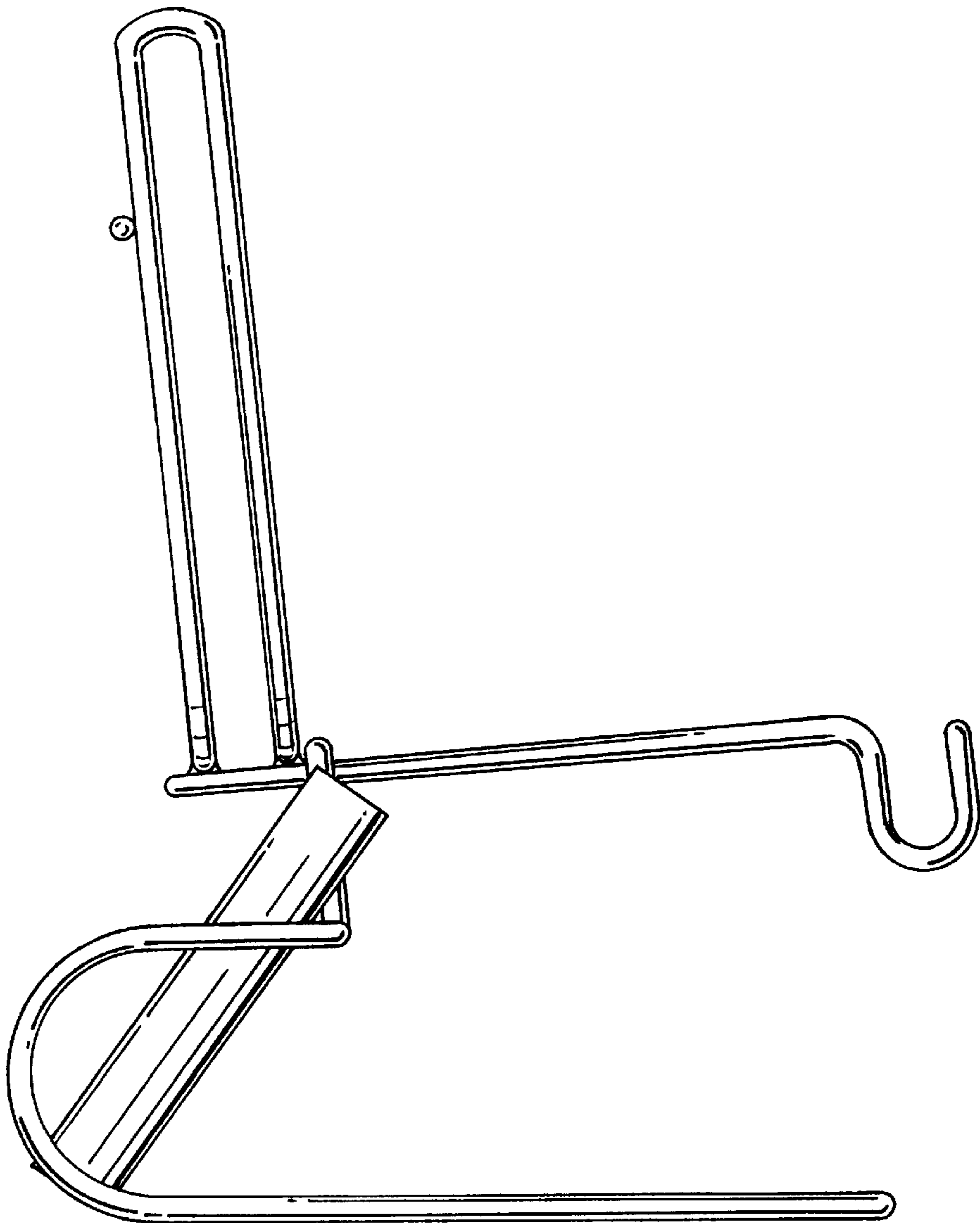
**Fig. 1**



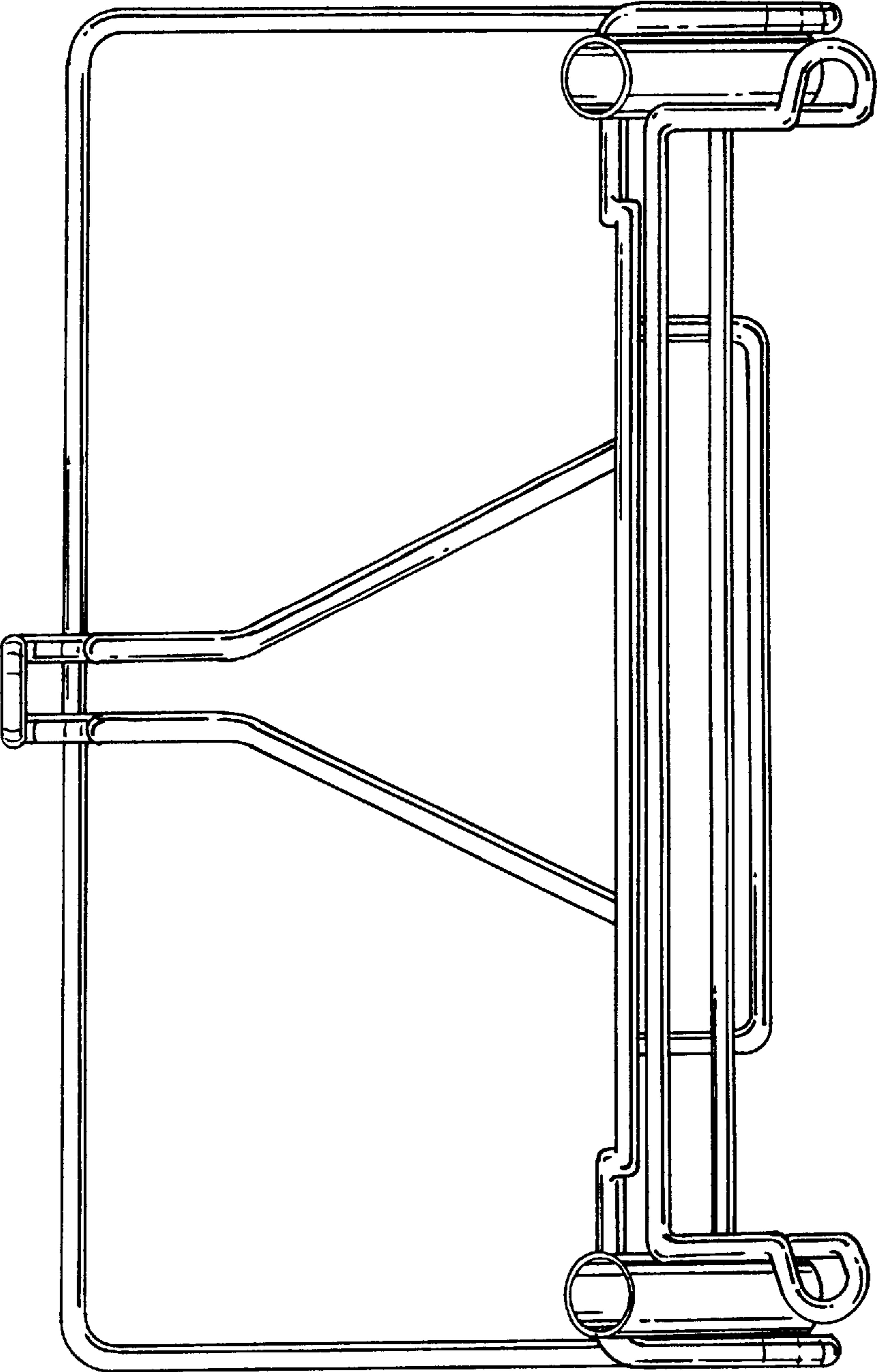
**Fig. 2**



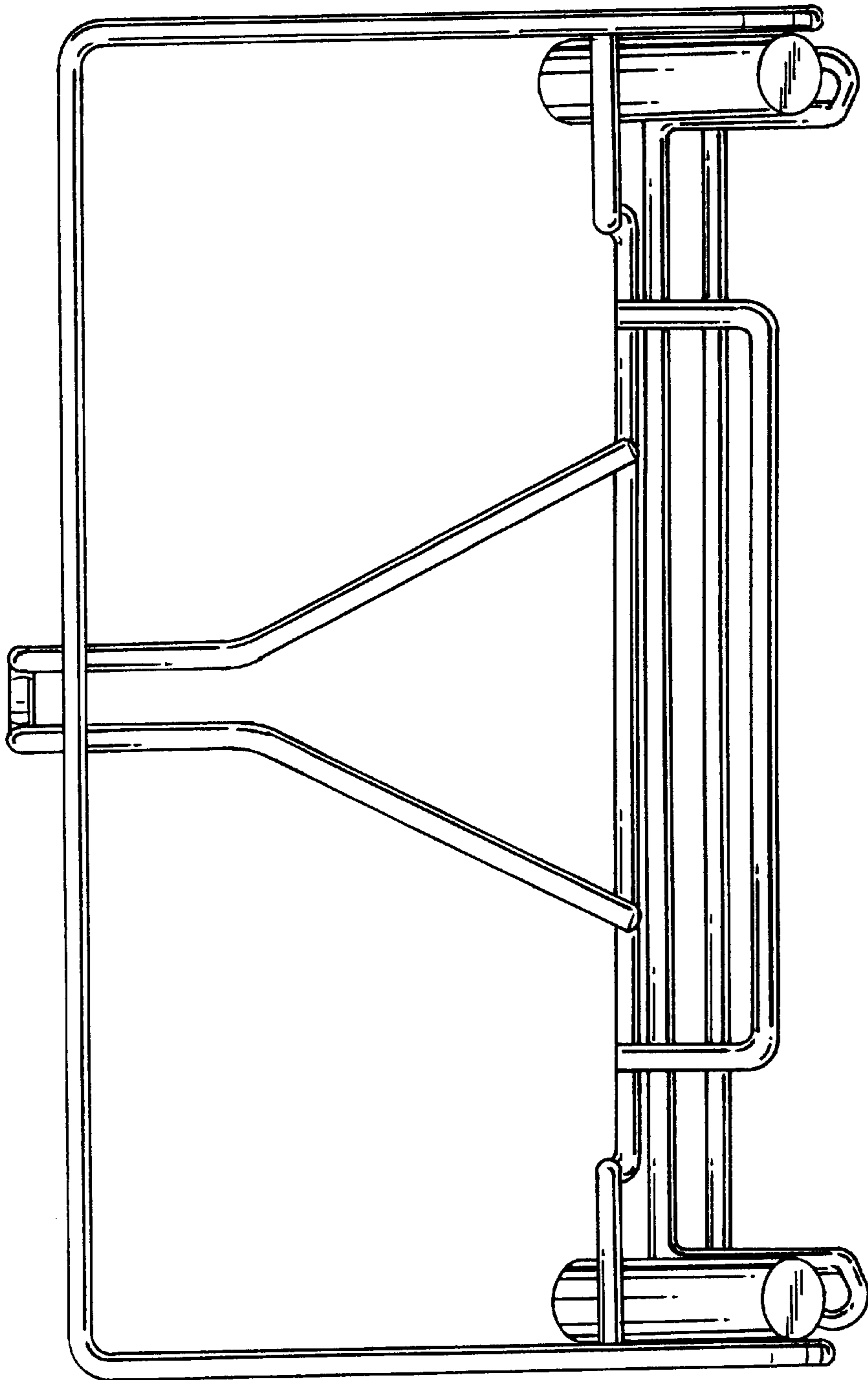
**Fig. 3**



**Fig. 4**



**Fig. 5**



**Fig. 6**