



US00D417565S

# United States Patent [19] Im

[11] **Patent Number: Des. 417,565**

[45] **Date of Patent: \*\* Dec. 14, 1999**

[54] **ANTITHEFT CASE FOR PACKED DISCS**

5,718,332 2/1998 Tachibana ..... 206/387.11

[75] Inventor: **Ok Bin Im**, Kyunggi-Do, Rep. of Korea

*Primary Examiner*—Doris V. Coles  
*Assistant Examiner*—Linda Brooks  
*Attorney, Agent, or Firm*—Knobbe, Martens, Olson & Bear LLP

[73] Assignee: **Jee Tae Kim**, Northbrook, Ill.

[\*\*] Term: **14 Years**

[57] **CLAIM**

[21] Appl. No.: **29/097,718**

The ornamental design for an antitheft case for packed discs, as shown and described.

[22] Filed: **Dec. 10, 1998**

**DESCRIPTION**

[51] **LOC (6) Cl.** ..... **06-04**

[52] **U.S. Cl.** ..... **D6/407**

[58] **Field of Search** ..... D6/407, 626-635, D6/475, 476, 466, 467; 211/40, 41.12, 42; 206/1.5, 307, 307.1, 308.1-308.3, 387.1, 387.11-387.13; D14/120, 121

FIG. 1 is a top, front and right side perspective view of an antitheft case for packed discs of the present design; FIG. 2 is a front elevational view; FIG. 3 is a rear elevational view; FIG. 4 is a top elevational view; FIG. 5 is a bottom elevational view; FIG. 6 is a left side elevational view; FIG. 7 is a right side elevational view; and, FIG. 8 is a front, bottom and right side perspective view of the antitheft case for preventing packed discs from being stolen of the present design in a partially open position.

[56] **References Cited**

**U.S. PATENT DOCUMENTS**

- D. 365,221 12/1995 Erickson ..... D6/407
- 4,132,311 1/1979 Glinert ..... 206/387
- 5,417,319 5/1995 Chalberg et al. .... 206/387.1 X

**1 Claim, 6 Drawing Sheets**

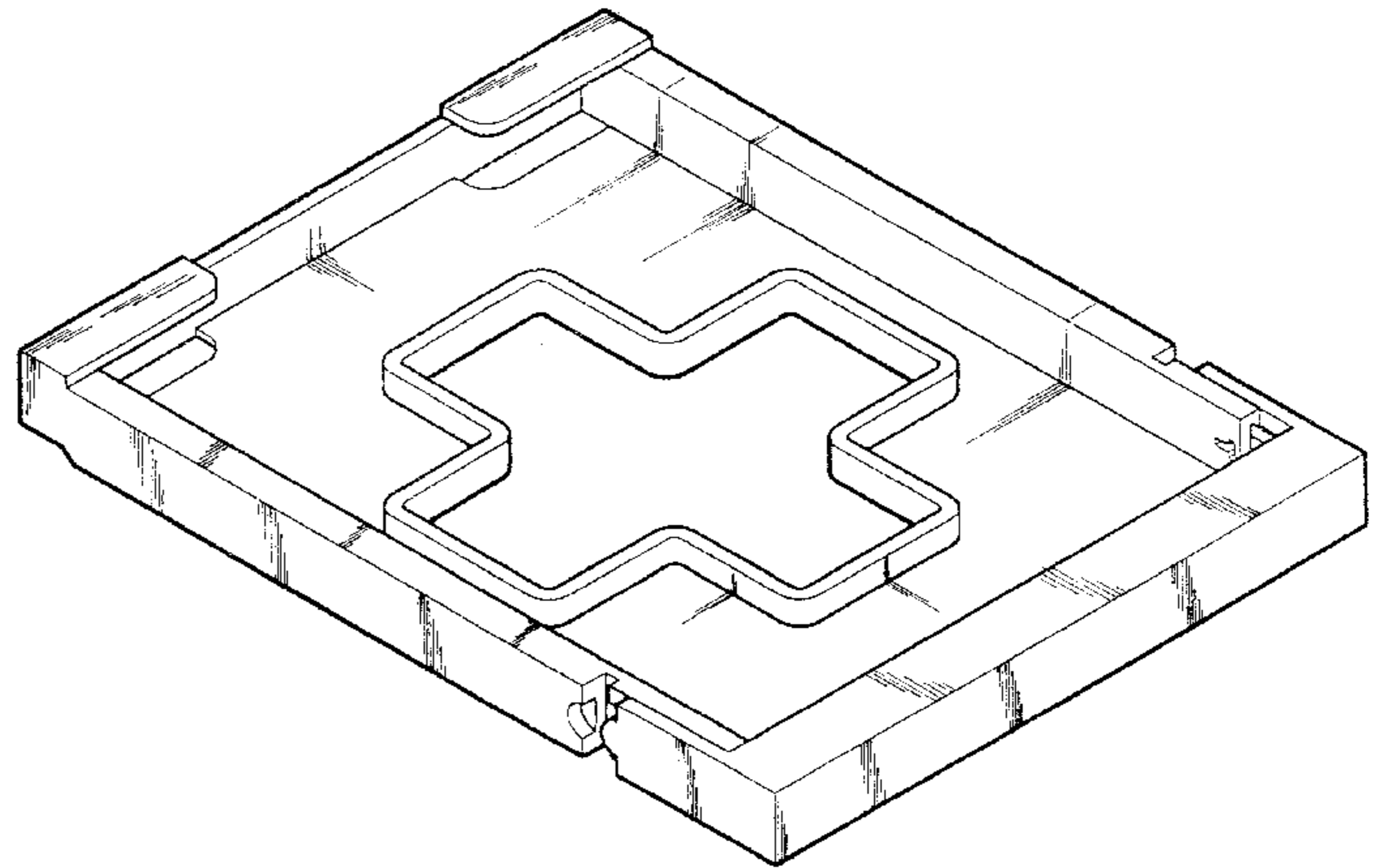
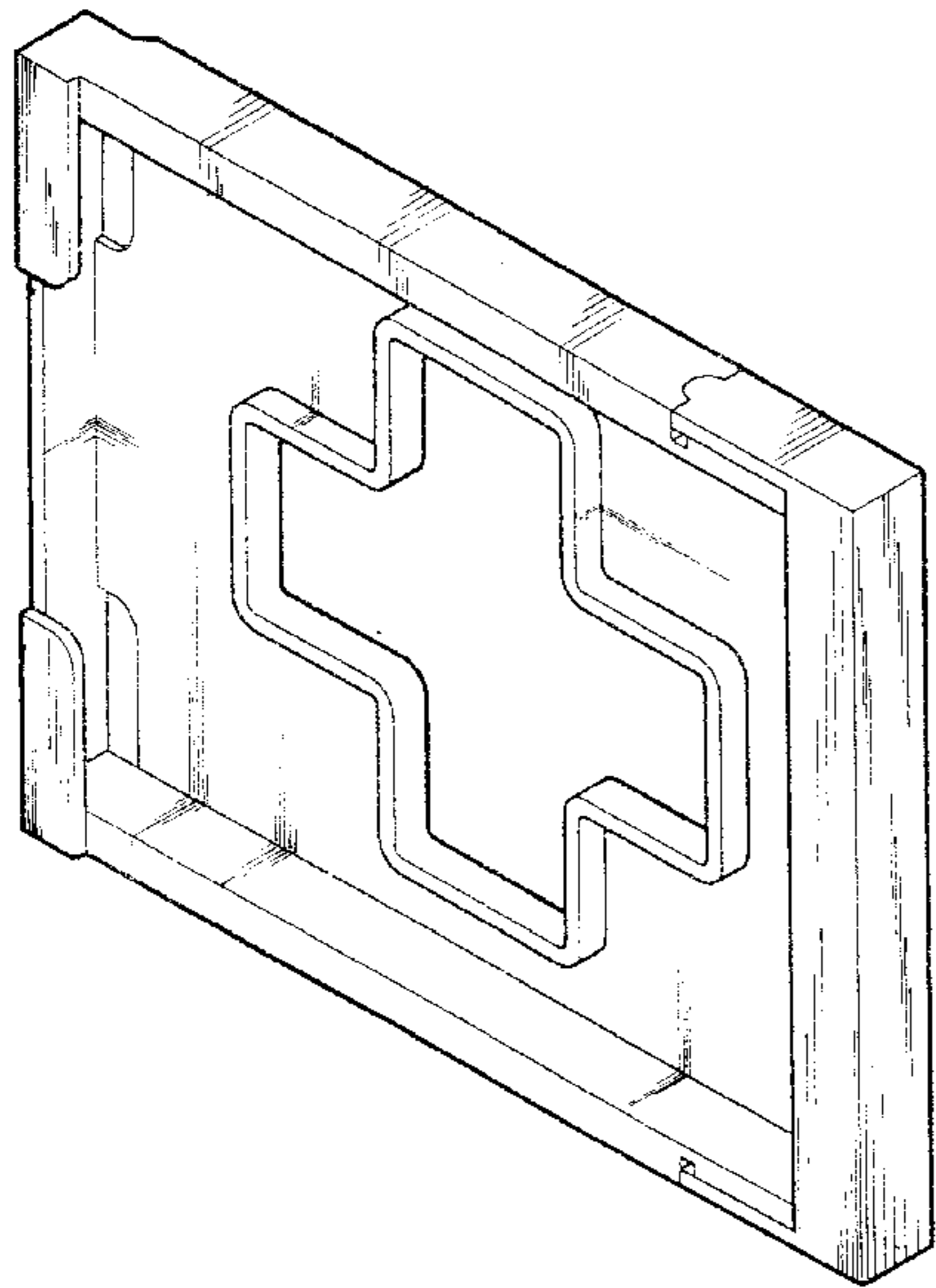


FIG. 1

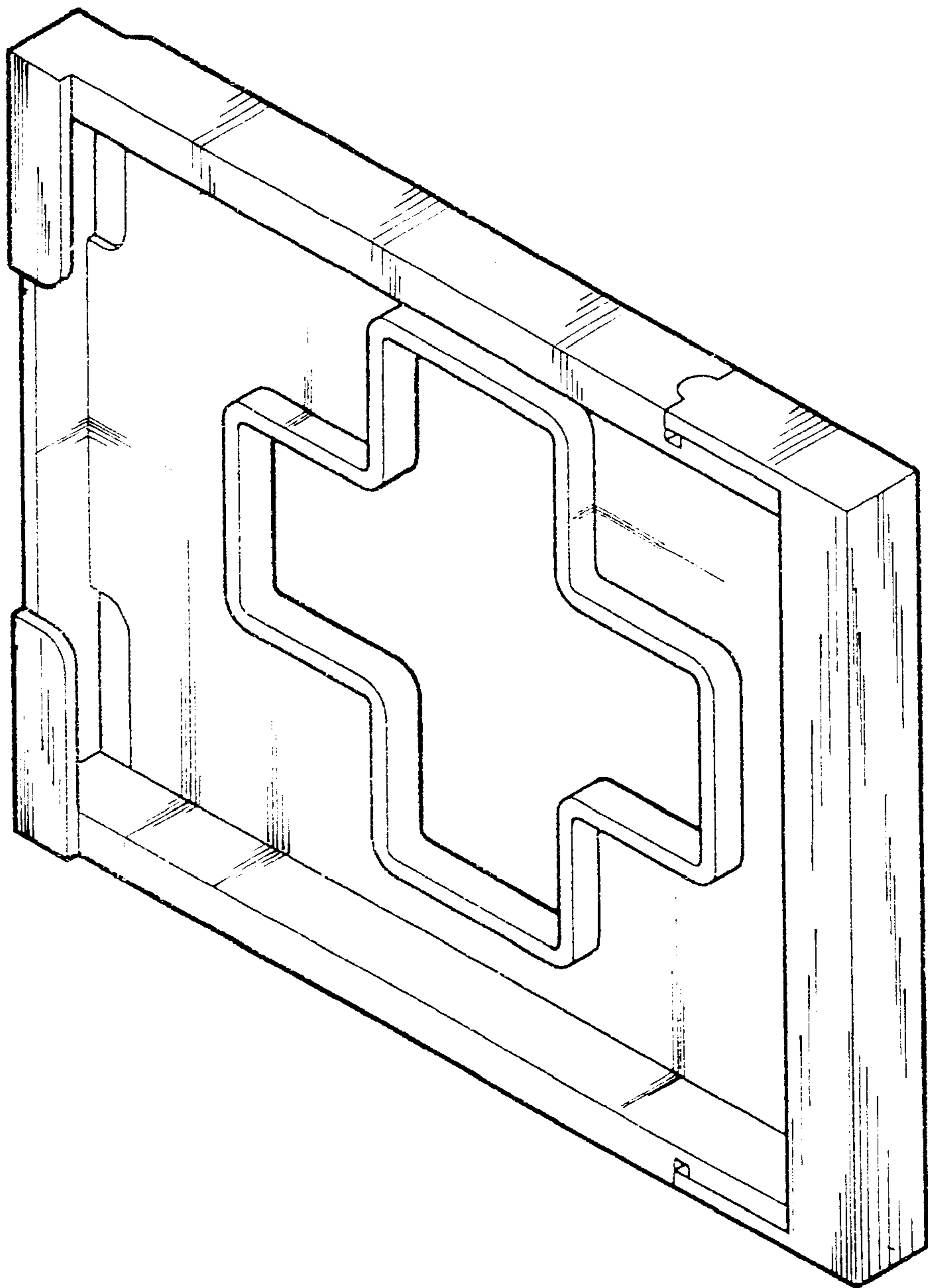


FIG. 2

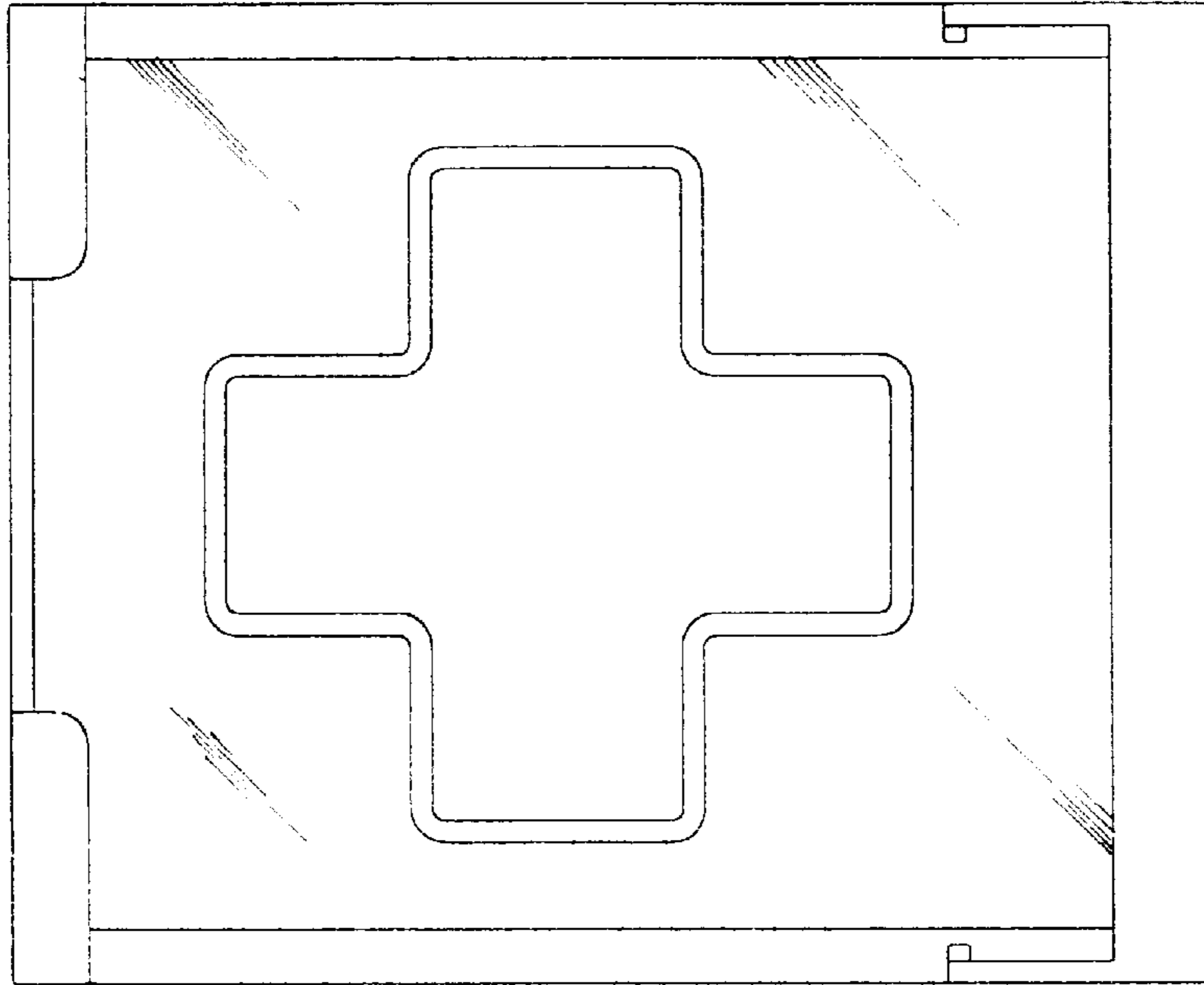


FIG. 3

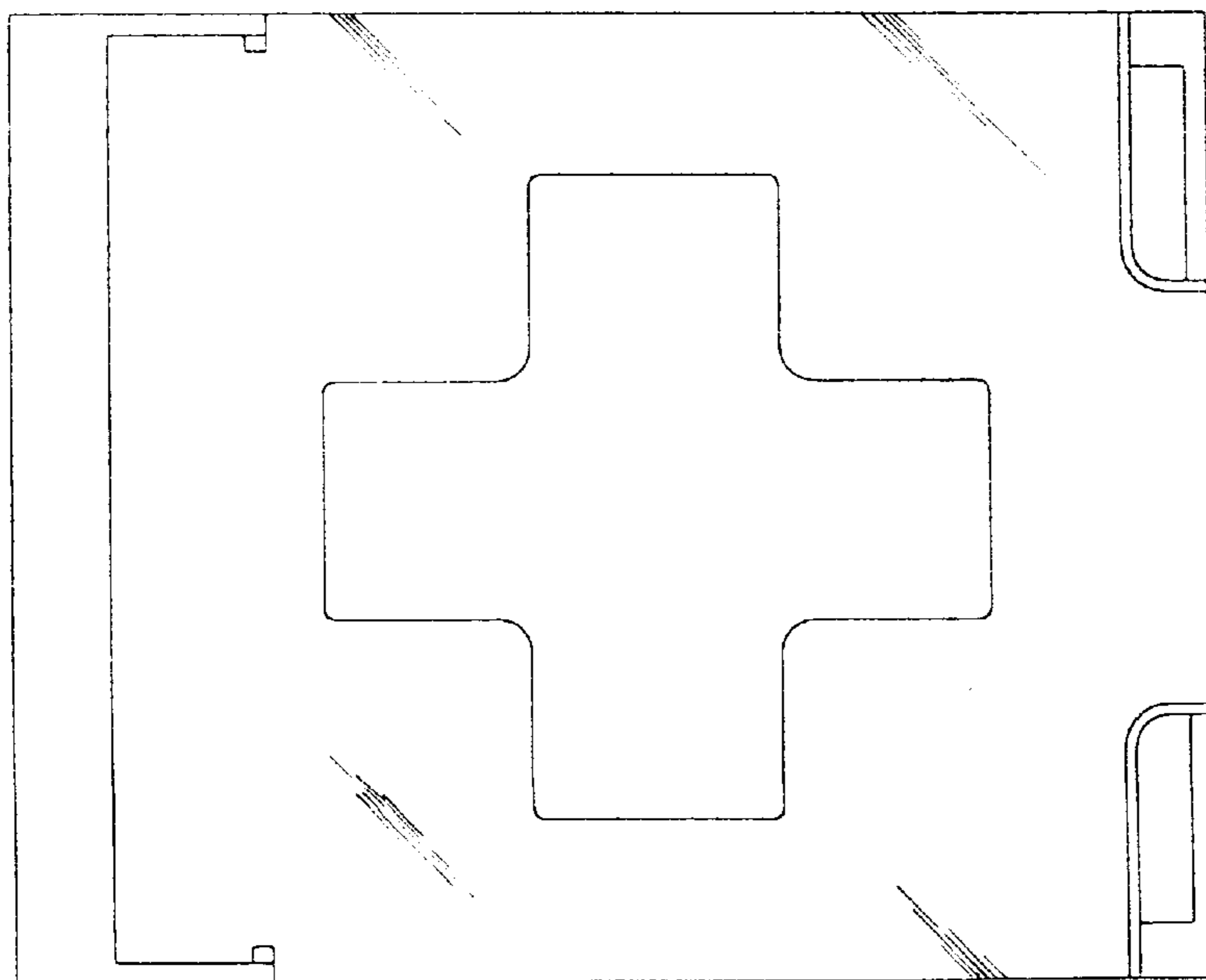


FIG. 4



FIG. 5

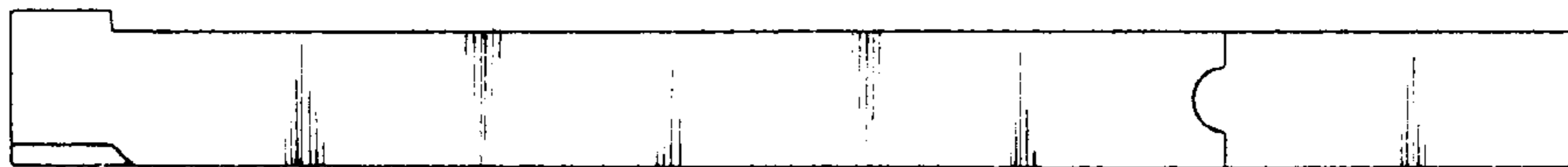


FIG. 4a

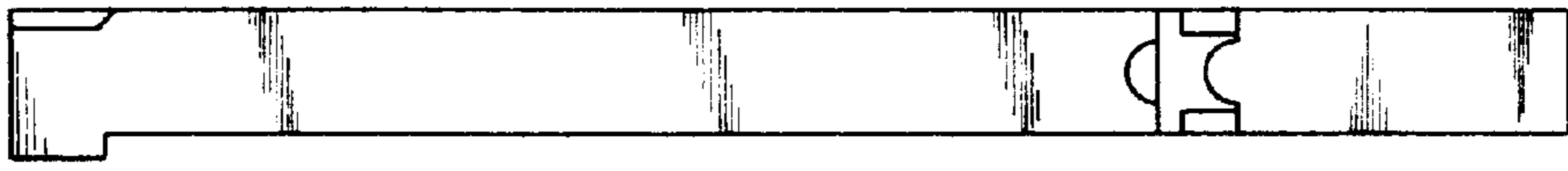


FIG. 5a

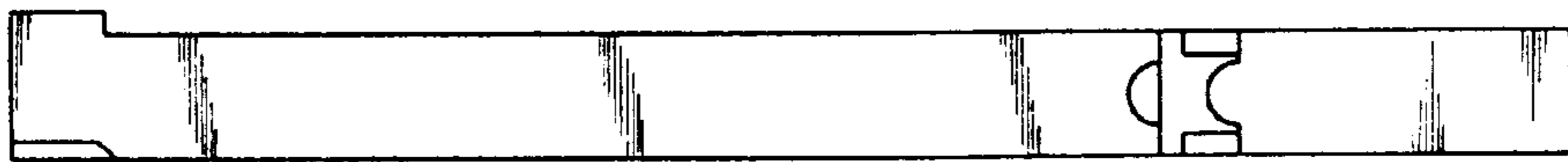


FIG. 6



FIG. 7

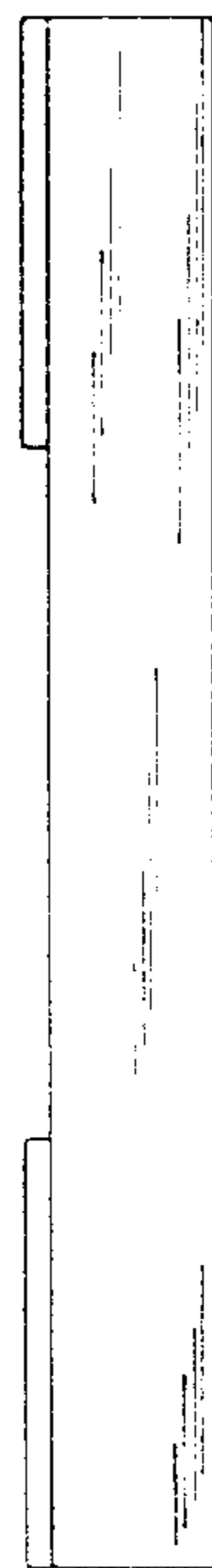


FIG. 8

