



US00D417561S

United States Patent [19] Liu

[11] **Patent Number: Des. 417,561**

[45] **Date of Patent: ** Dec. 14, 1999**

[54] **FOLDING CHAIR**

[76] Inventor: **Lausan Chung Hsin Liu**, No. 243,
Chien-Kuo Rd., Hsin-Tien City, Taipei
Hsien, Taiwan

[**] Term: **14 Years**

[21] Appl. No.: **29/095,279**

[22] Filed: **Oct. 20, 1998**

[51] **LOC (6) Cl. 06-01**

[52] **U.S. Cl. D6/368**

[58] **Field of Search** D6/334, 335, 367,
D6/368, 374, 375, 379, 500, 501, 502;
297/27, 28, 35

[56] **References Cited**

U.S. PATENT DOCUMENTS

Re. 20,181	11/1936	Freedman	297/27
D. 281,933	12/1985	Deconnck	D6/368
D. 358,719	5/1995	Vine	D6/368
D. 370,133	5/1996	Grosfillex	D6/368
D. 403,872	1/1999	Grosfillex	D6/368
1,955,490	4/1934	Emerson	297/39

2,097,500	11/1937	Oermann	297/27
2,333,761	11/1943	Beeskow	297/27
2,638,970	5/1953	Harber	297/39
3,624,814	11/1971	Borichesky	297/39
5,855,409	1/1999	Tseng	297/27

Primary Examiner—Doris V. Coles
Assistant Examiner—Mimosa De
Attorney, Agent, or Firm—Bacon & Thomas, PLLC

[57] **CLAIM**

The ornamental design for folding chair, as shown and described.

DESCRIPTION

FIG. 1 is a perspective view of a folding chair showing our new design thereof;
FIG. 2 is a side elevational view, it being understood that the opposite side is a mirror image thereof;
FIG. 3 is a front elevational view thereof;
FIG. 4 is a rear elevational view thereof;
FIG. 5 is a top plan view thereof; and,
FIG. 6 is a bottom plan view thereof.

1 Claim, 4 Drawing Sheets

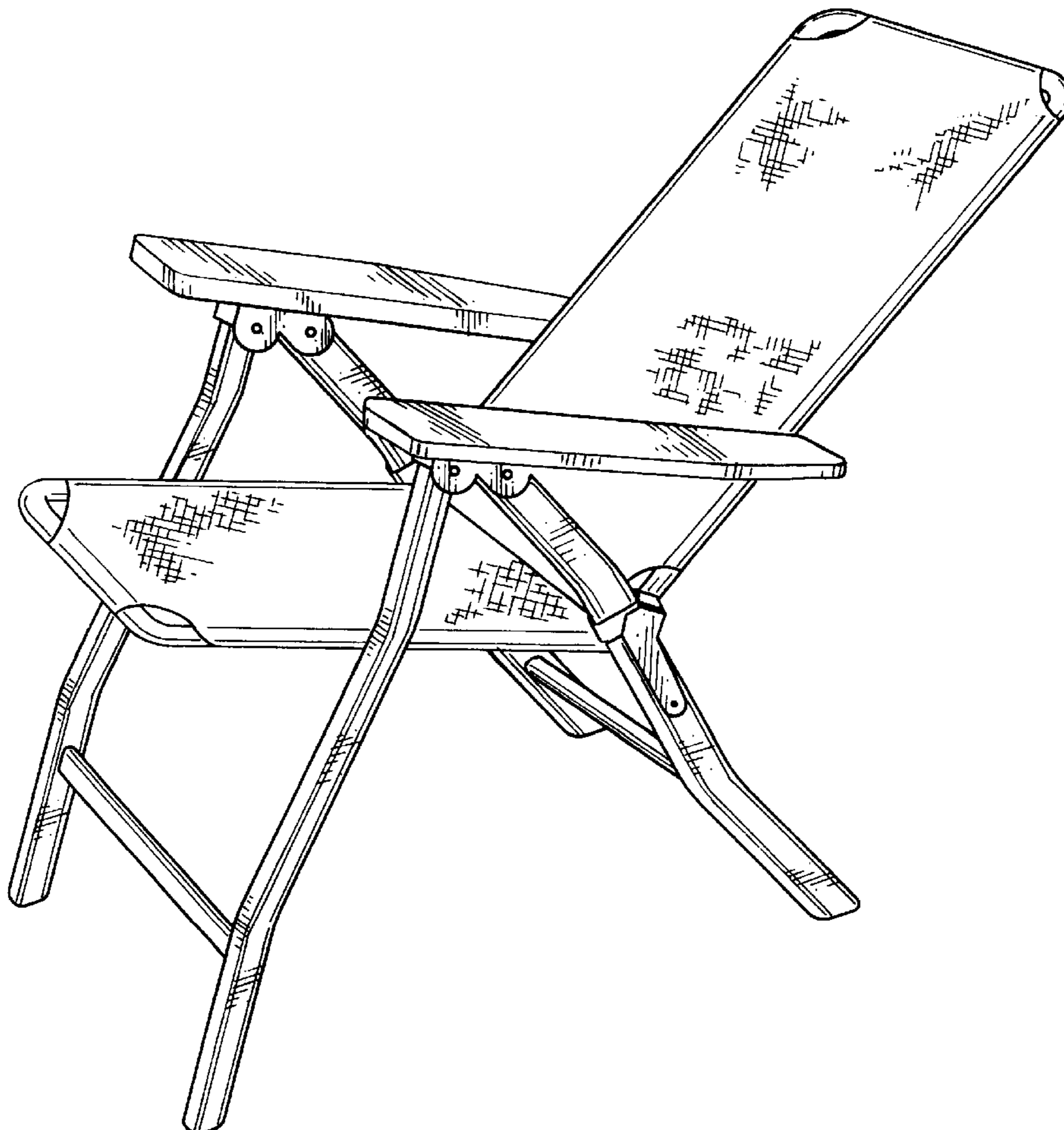




Fig. 1

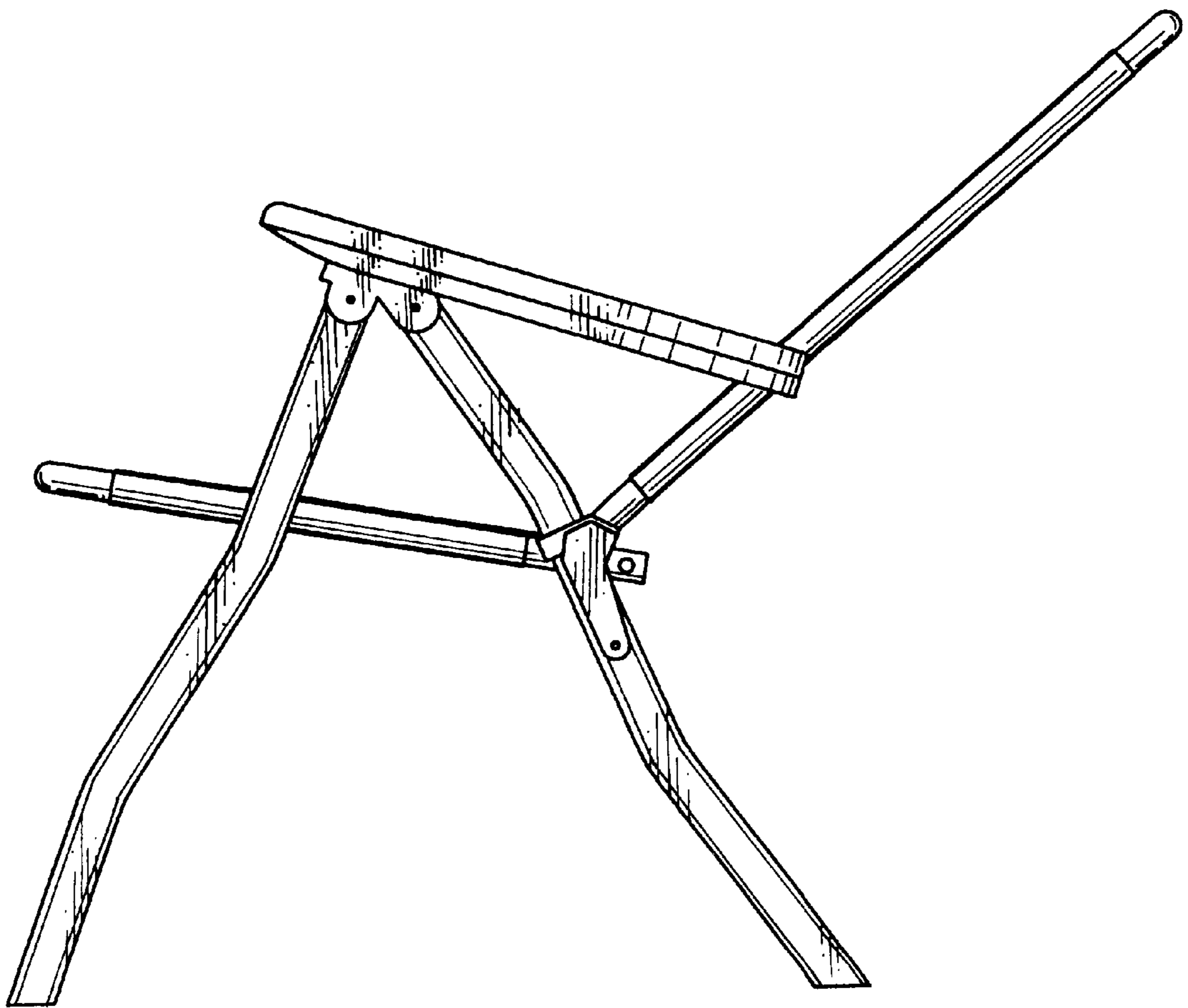


Fig. 2

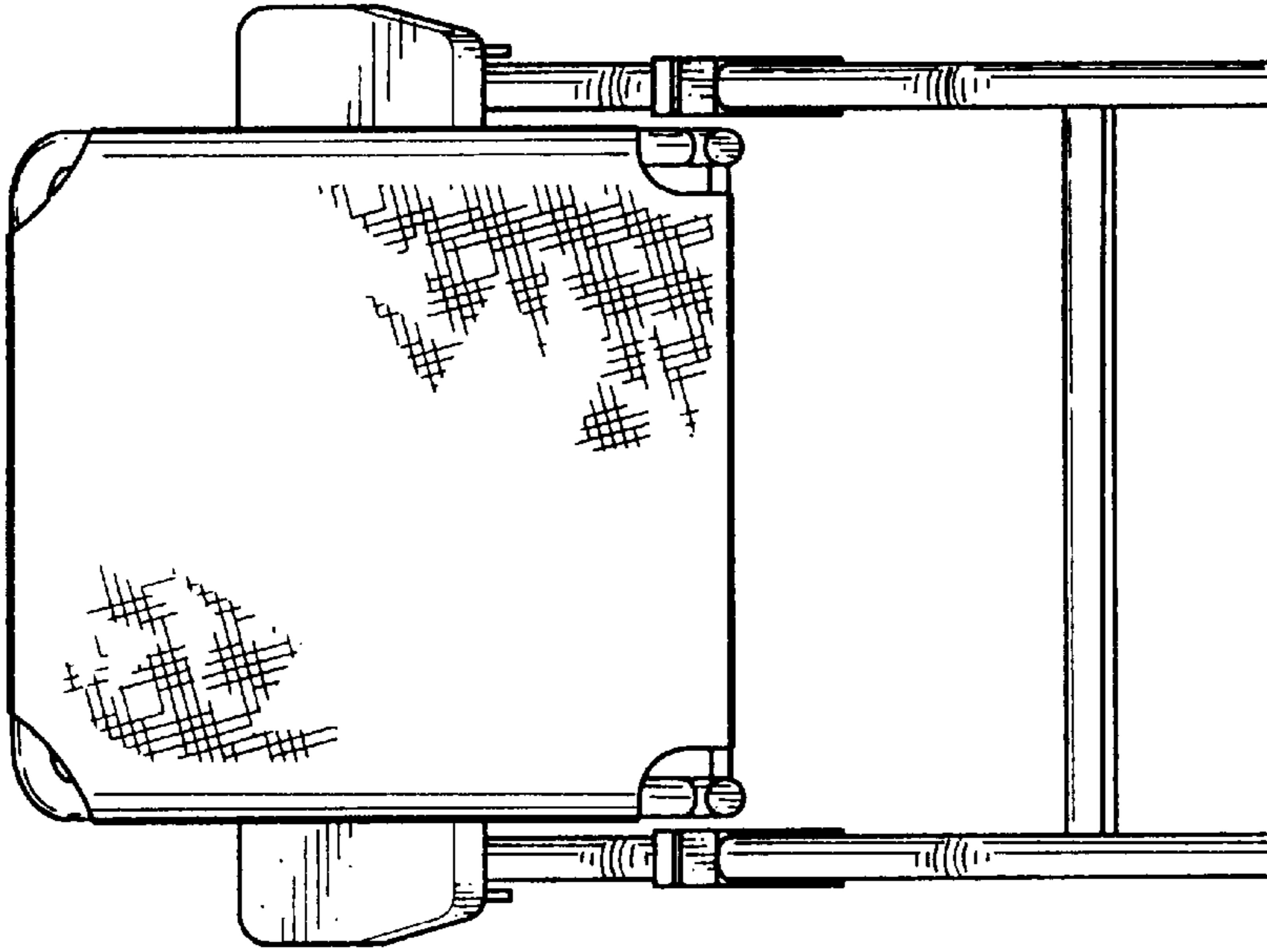


Fig. 4

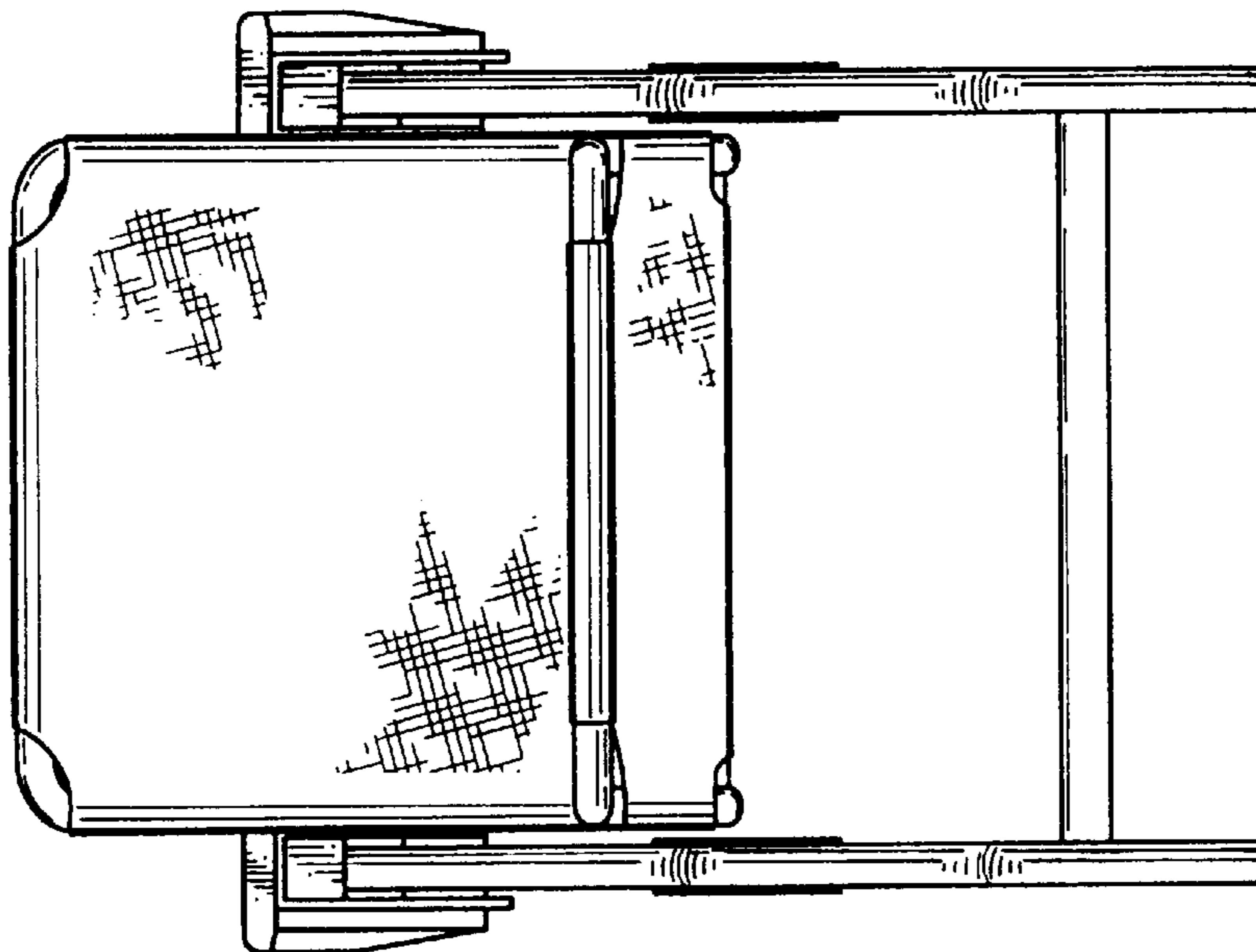


Fig. 3

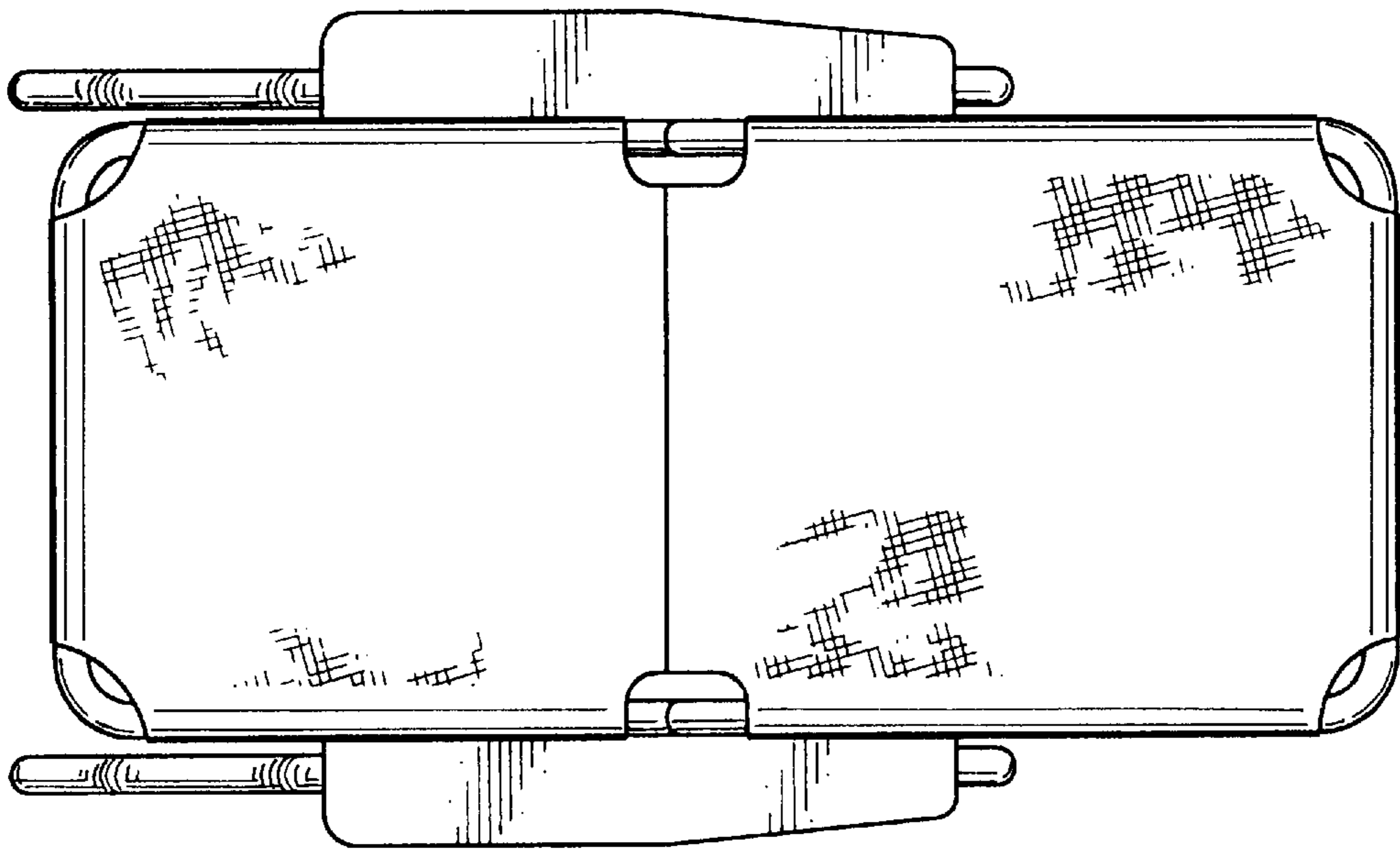


Fig. 5

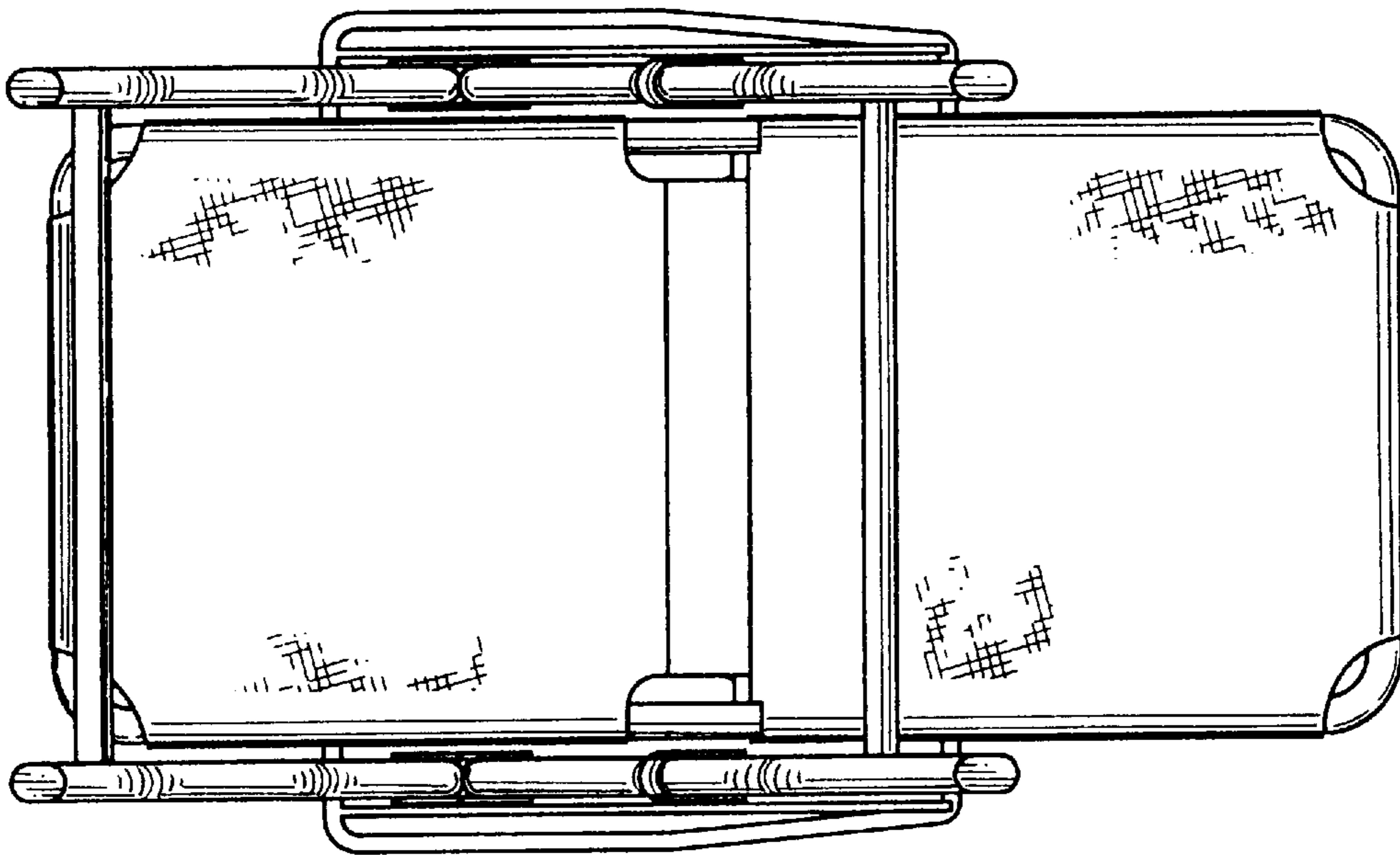


Fig. 6