



US00D417559S

United States Patent [19]

Pomeroy et al.

[11] Patent Number: Des. 417,559

[45] Date of Patent: ** Dec. 14, 1999

[54] **GLIDER CHAIR WITH SIDE TABLE**

[75] Inventors: **Charles Pomeroy; John T. Bycraft,**
both of South Bend, Ind.

[73] Assignee: **Jack-Post Corporation,** Buchanan,
Mich.

[**] Term: **14 Years**

[21] Appl. No.: **29/093,361**

[22] Filed: **Sep. 9, 1998**

[51] **LOC (6) Cl.** **06-01**

[52] **U.S. Cl.** **D6/344**

[58] **Field of Search** D6/334, 335, 344,
D6/364, 365, 374, 375, 376, 379, 500,
501, 502; 297/281, 282, 258.1, 344.21,
344.26

[56] **References Cited**

U.S. PATENT DOCUMENTS

D. 328,197	7/1992	Braxton, III	D6/334
D. 334,485	4/1993	Poperoy et al.	D6/344
D. 350,855	9/1994	Pomeroy et al.	D6/334
D. 362,349	9/1995	Pomeroy et al.	D6/344
D. 365,692	1/1996	Pomeroy et al.	D6/344
D. 400,720	11/1998	Pomeroy et al.	D6/344
5,667,273	9/1997	Noll	297/282

OTHER PUBLICATIONS

Single Glider, Sunstar Brownie Mfg. Co., Aug. 1995.

Primary Examiner—Doris V. Coles

Assistant Examiner—Mimosa De

Attorney, Agent, or Firm—Arnold White & Durkee

[57] **CLAIM**

The ornamental design for glider chair with side table, as shown and described.

DESCRIPTION

FIG. 1 is a front perspective view of the glider chair with side table showing our new design;
 FIG. 2 is a side elevational view taken from the right-hand side of FIG. 1;
 FIG. 3 is a side elevational view taken from the left-hand side of FIG. 1;
 FIG. 4 is a front elevational view;
 FIG. 5 is a rear elevational view;
 FIG. 6 is a top plan view;
 FIG. 7 is a bottom plan view thereof;
 FIG. 8 is a front perspective view of a glider chair with side table showing a modification of our new design;
 FIG. 9 is a side elevational view taken from the right-hand side of FIG. 8;
 FIG. 10 is a side elevational view taken from the left-hand side of FIG. 8;
 FIG. 11 is a front elevational view of FIG. 8;
 FIG. 12 is a rear elevational view of FIG. 8;
 FIG. 13 is a top plan view of FIG. 8;
 FIG. 14 is a bottom plan view of FIG. 8;
 FIG. 15 is a front perspective view of a glider chair with side table showing another modification of our new design;
 FIG. 16 is a front elevational view of FIG. 15;
 FIG. 17 is a rear elevational view of FIG. 15;
 FIG. 18 is a top plan view of FIG. 15; and,
 FIG. 19 is a bottom plan view of FIG. 15.

The broken line showing of environmental structure is for illustrative purposes only and forms no part of the claimed design.

1 Claim, 11 Drawing Sheets

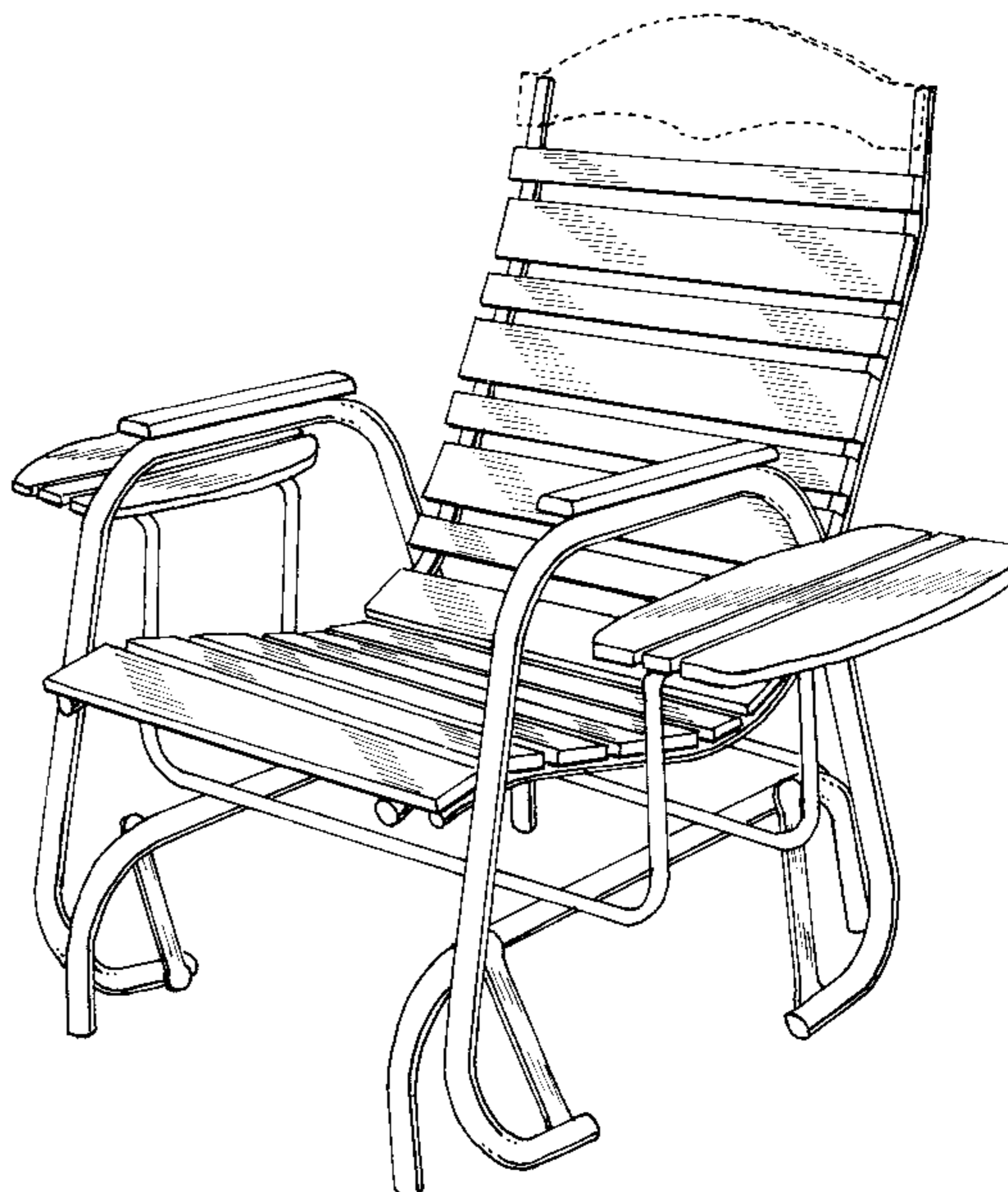
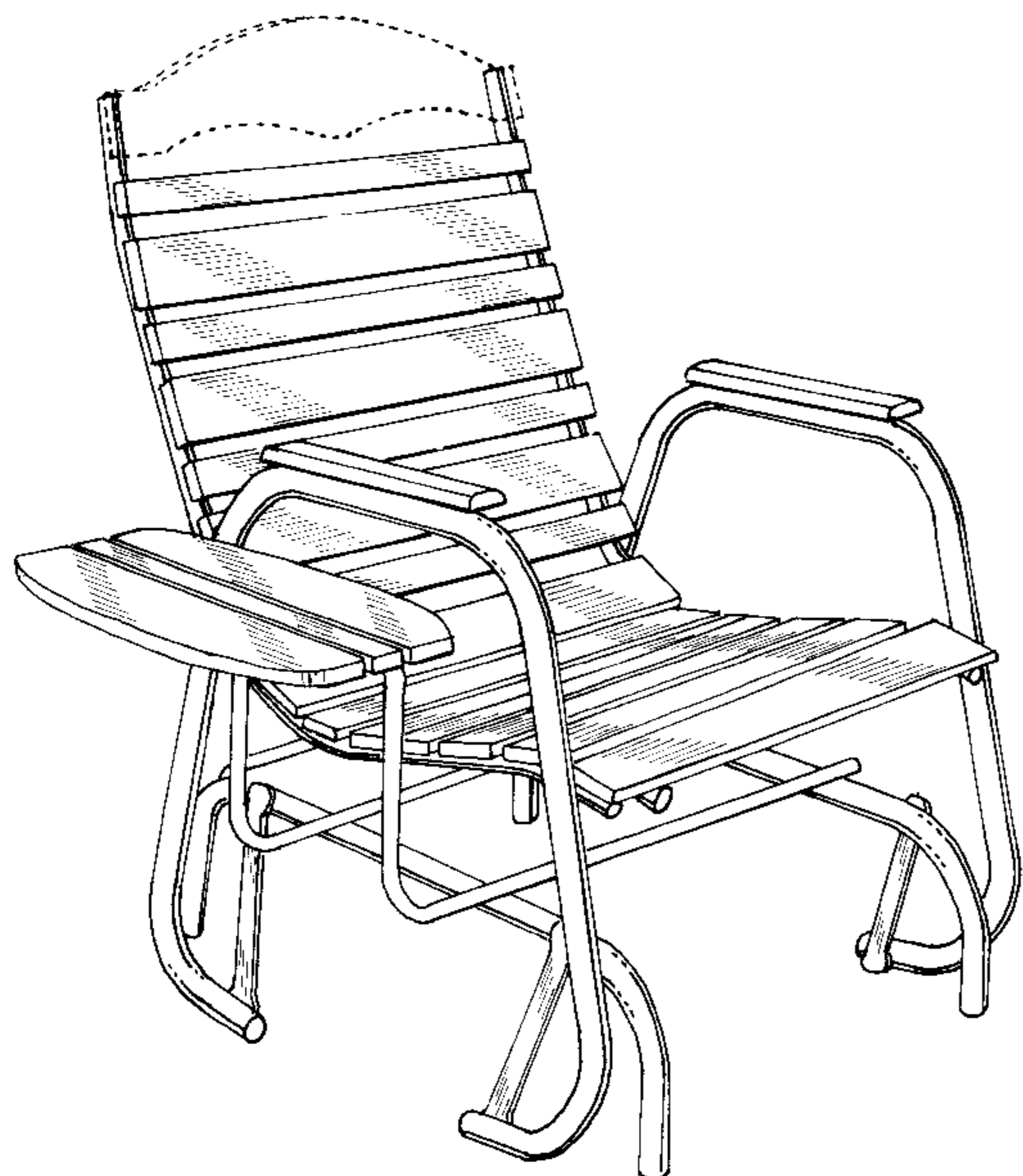




FIG. 1

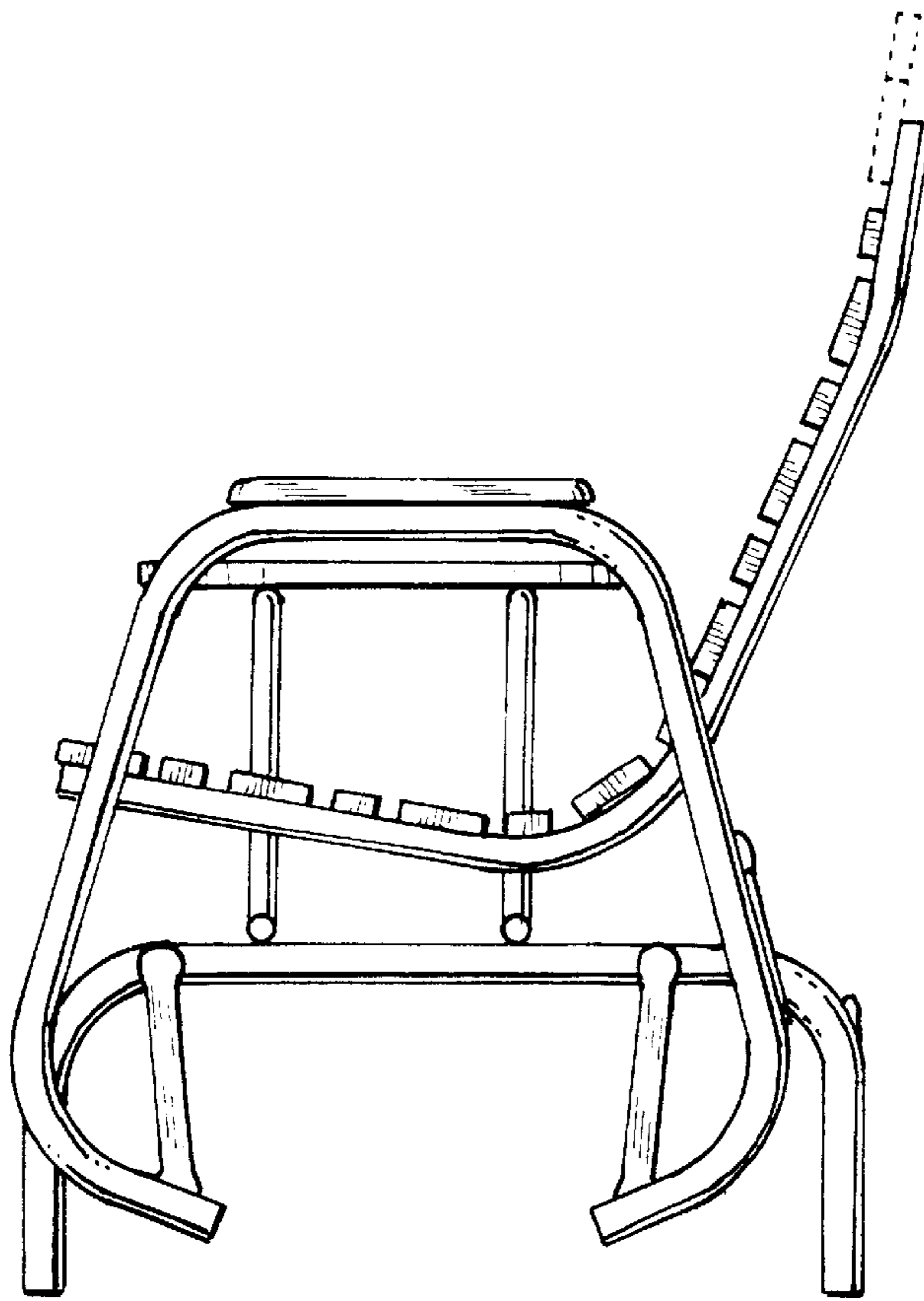


FIG. 2

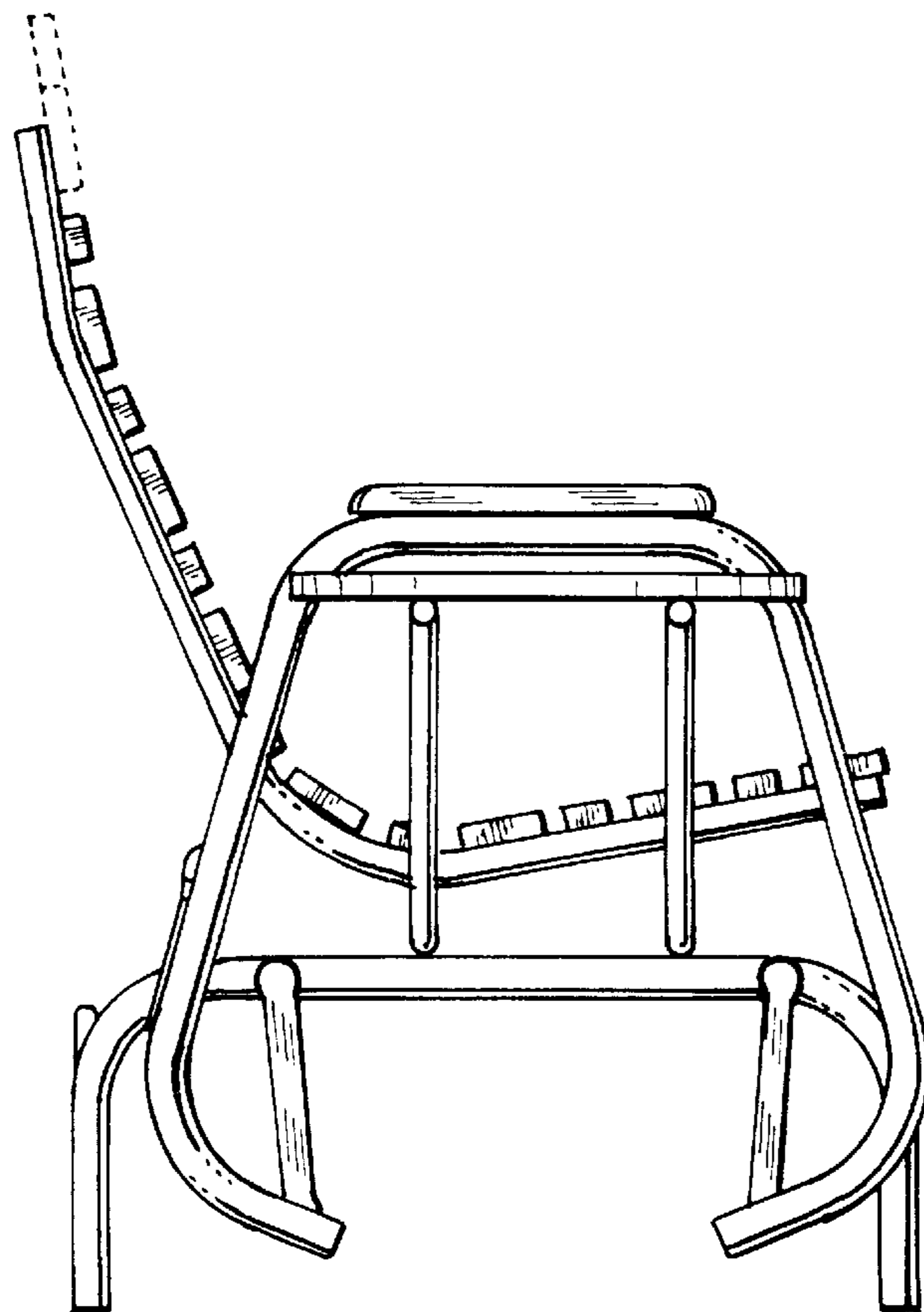


FIG. 3

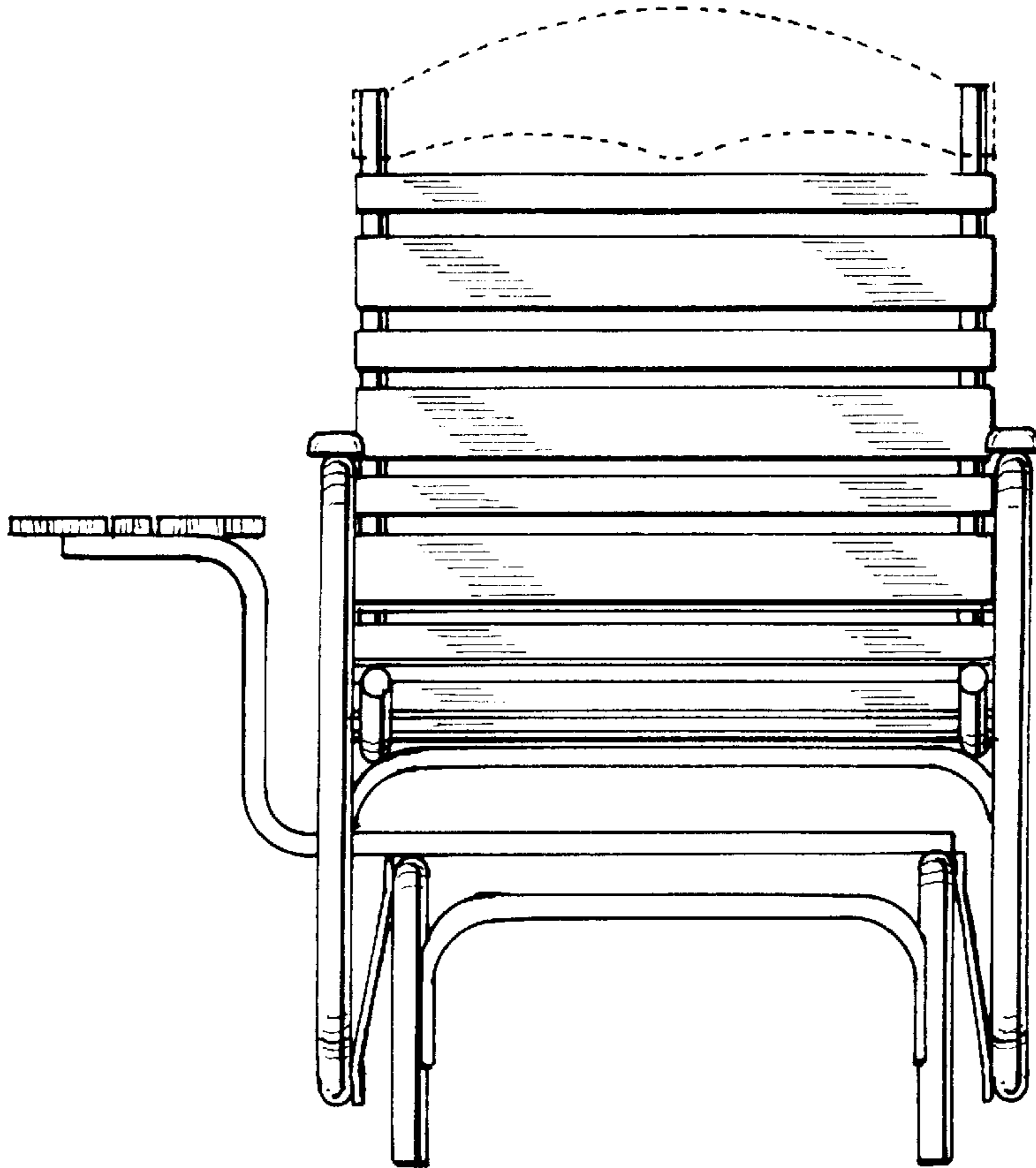


FIG. 4

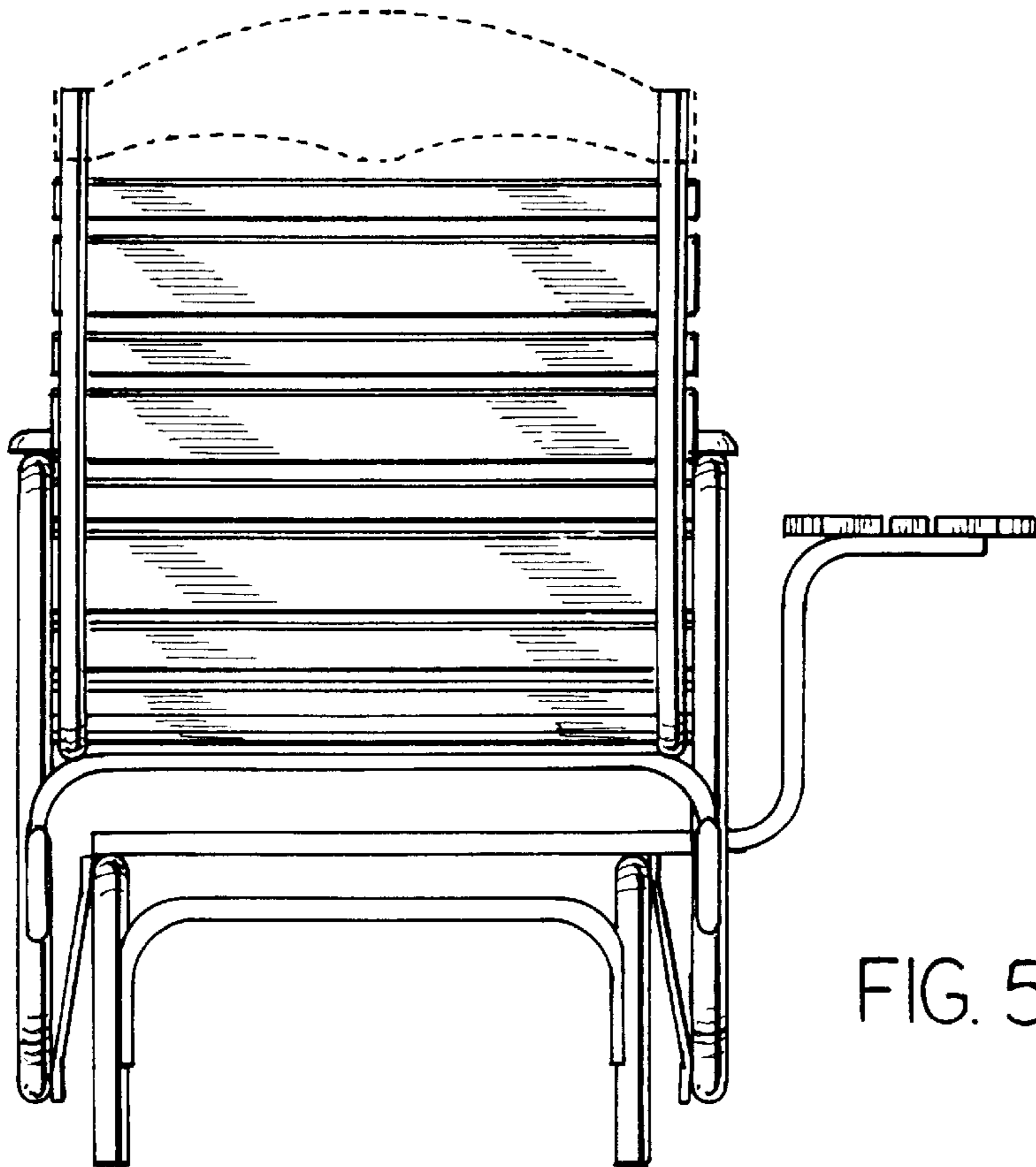


FIG. 5

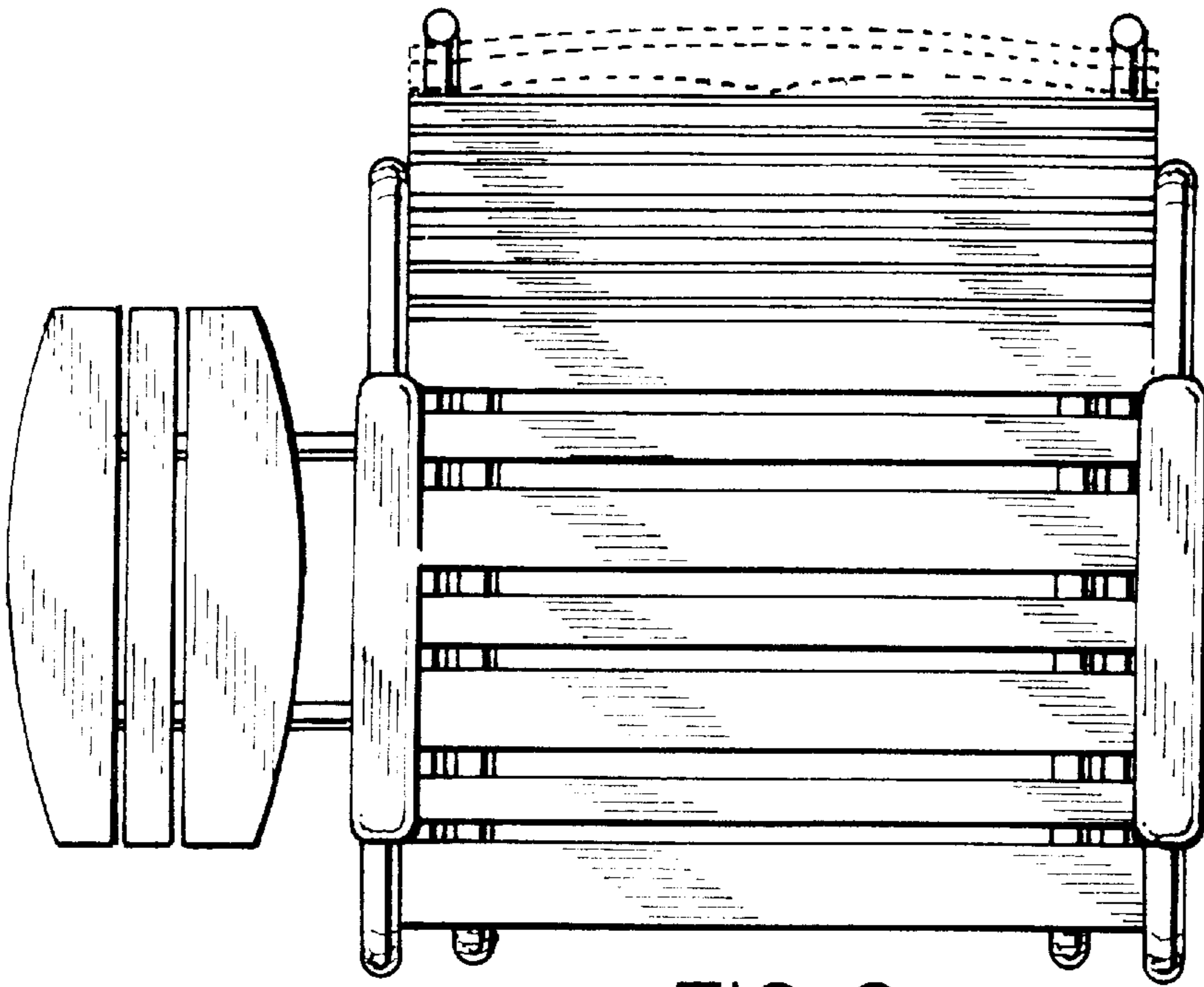


FIG. 6

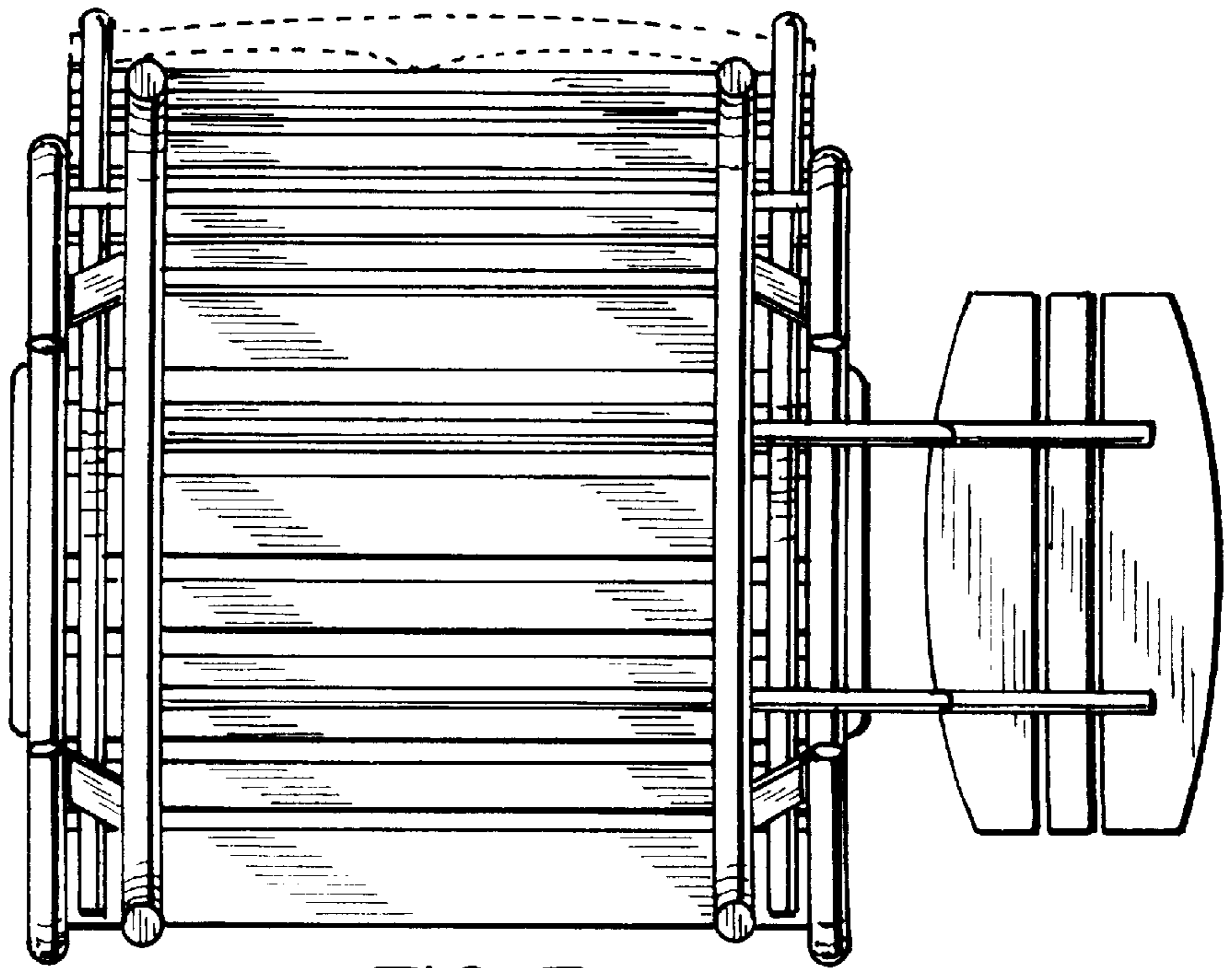


FIG. 7

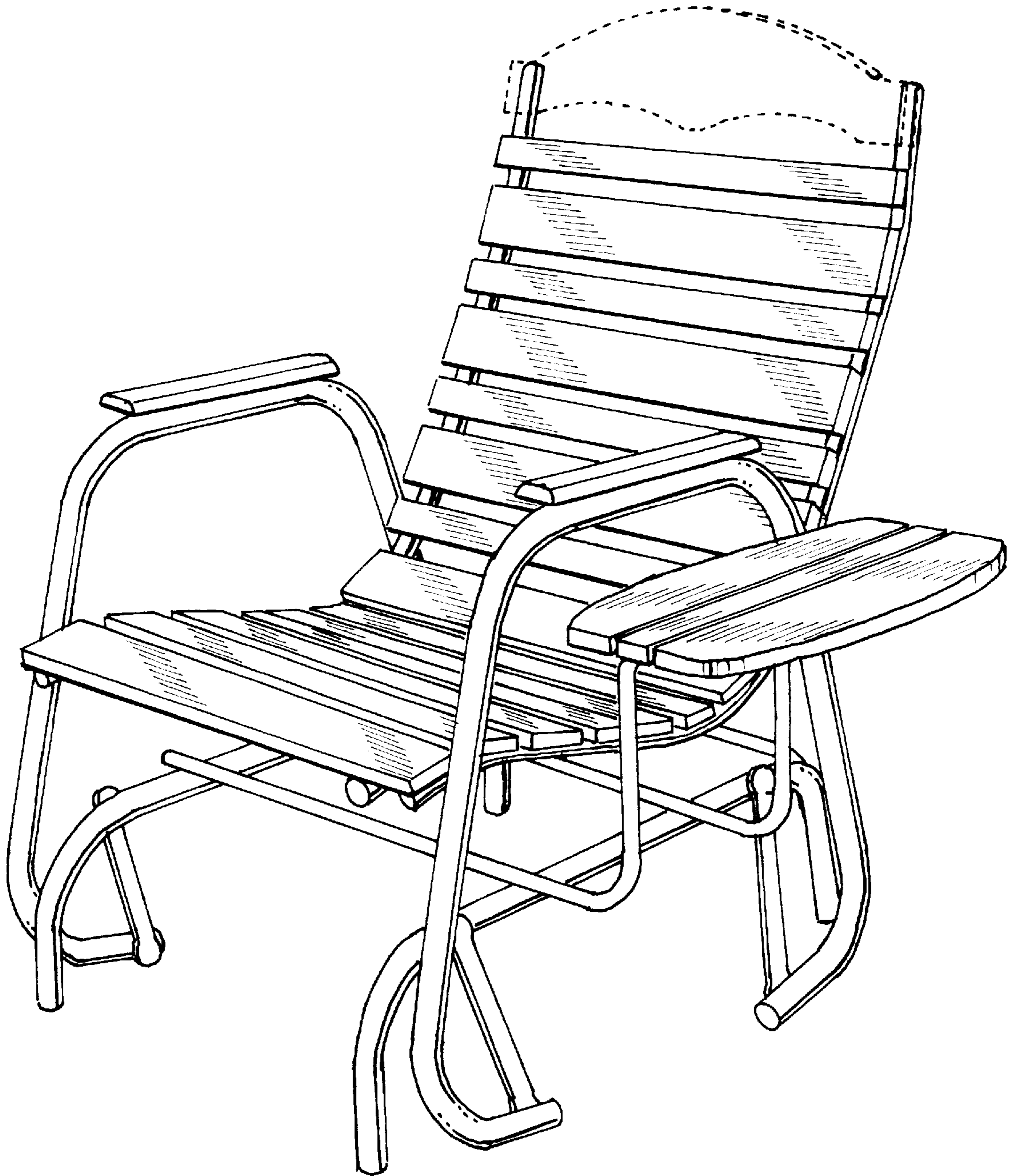


FIG. 8

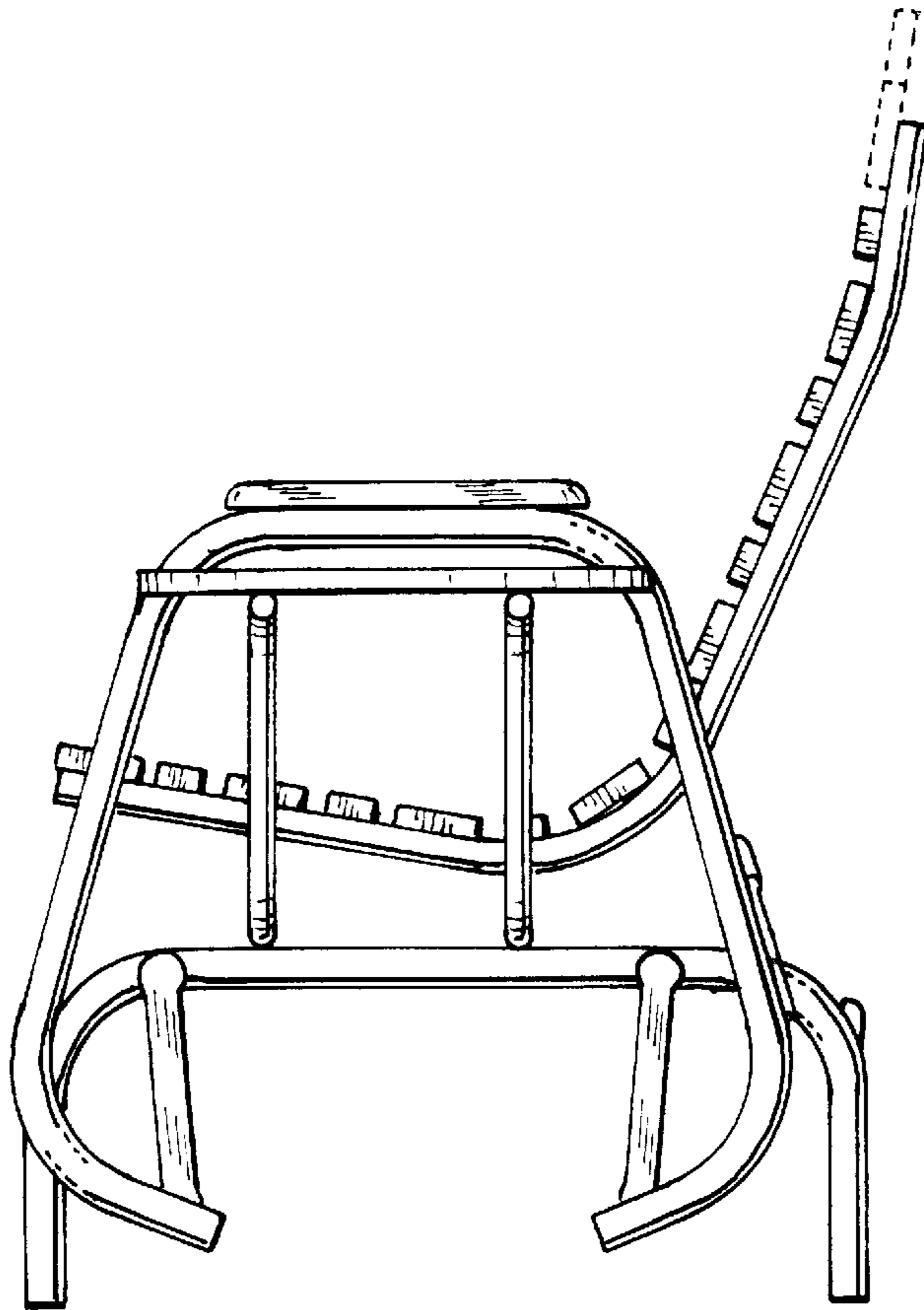


FIG. 9

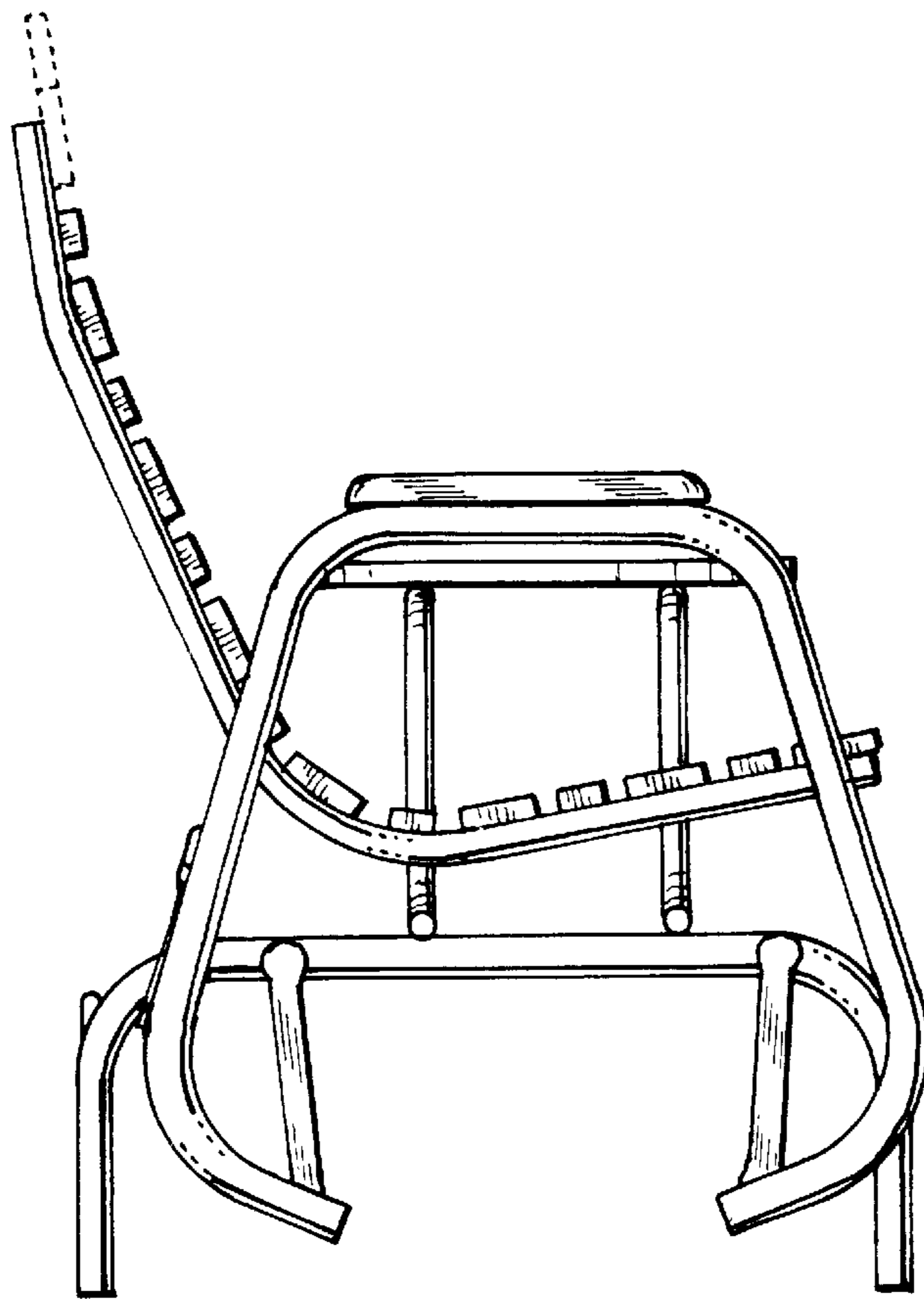


FIG. 10

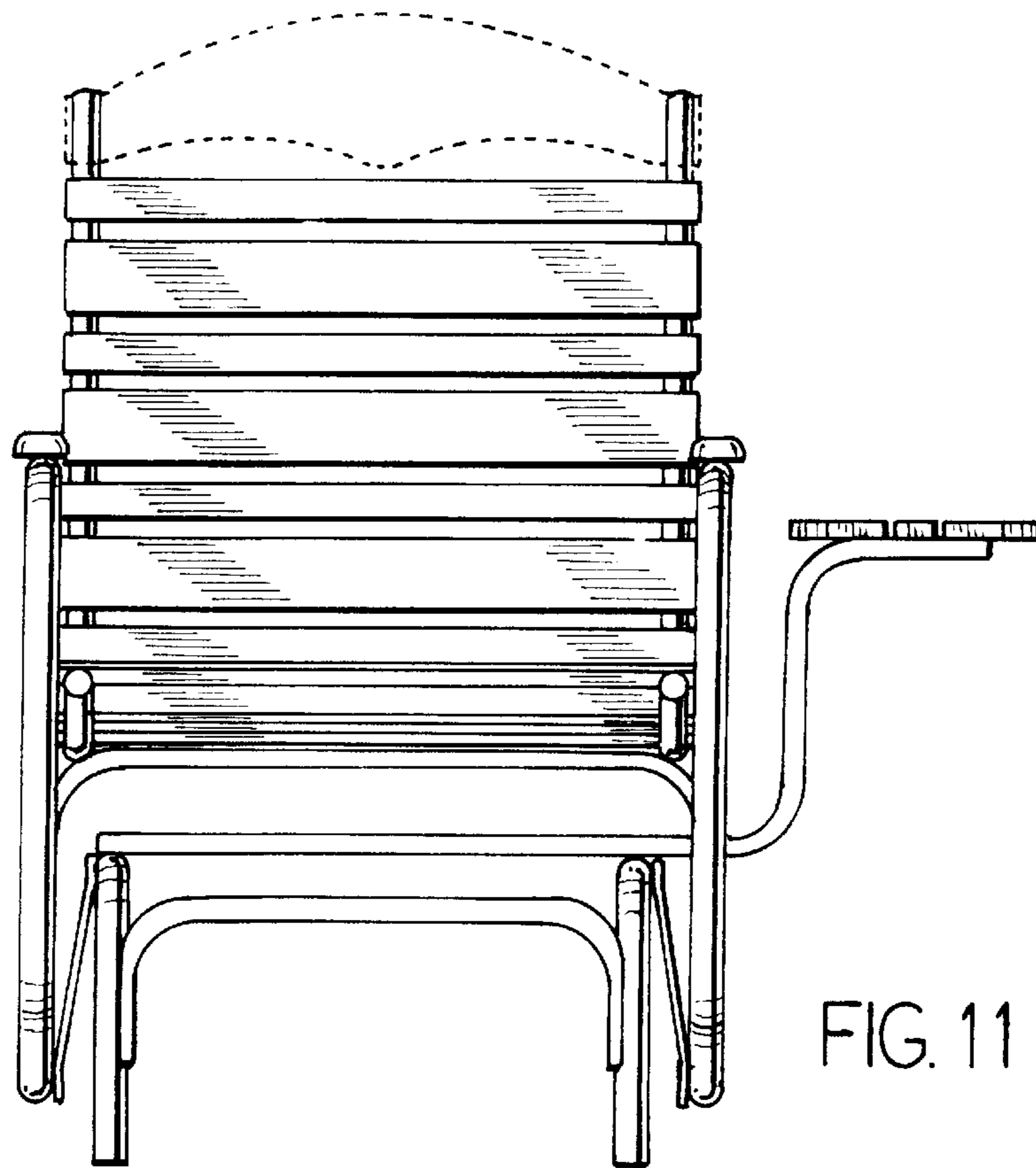


FIG. 11

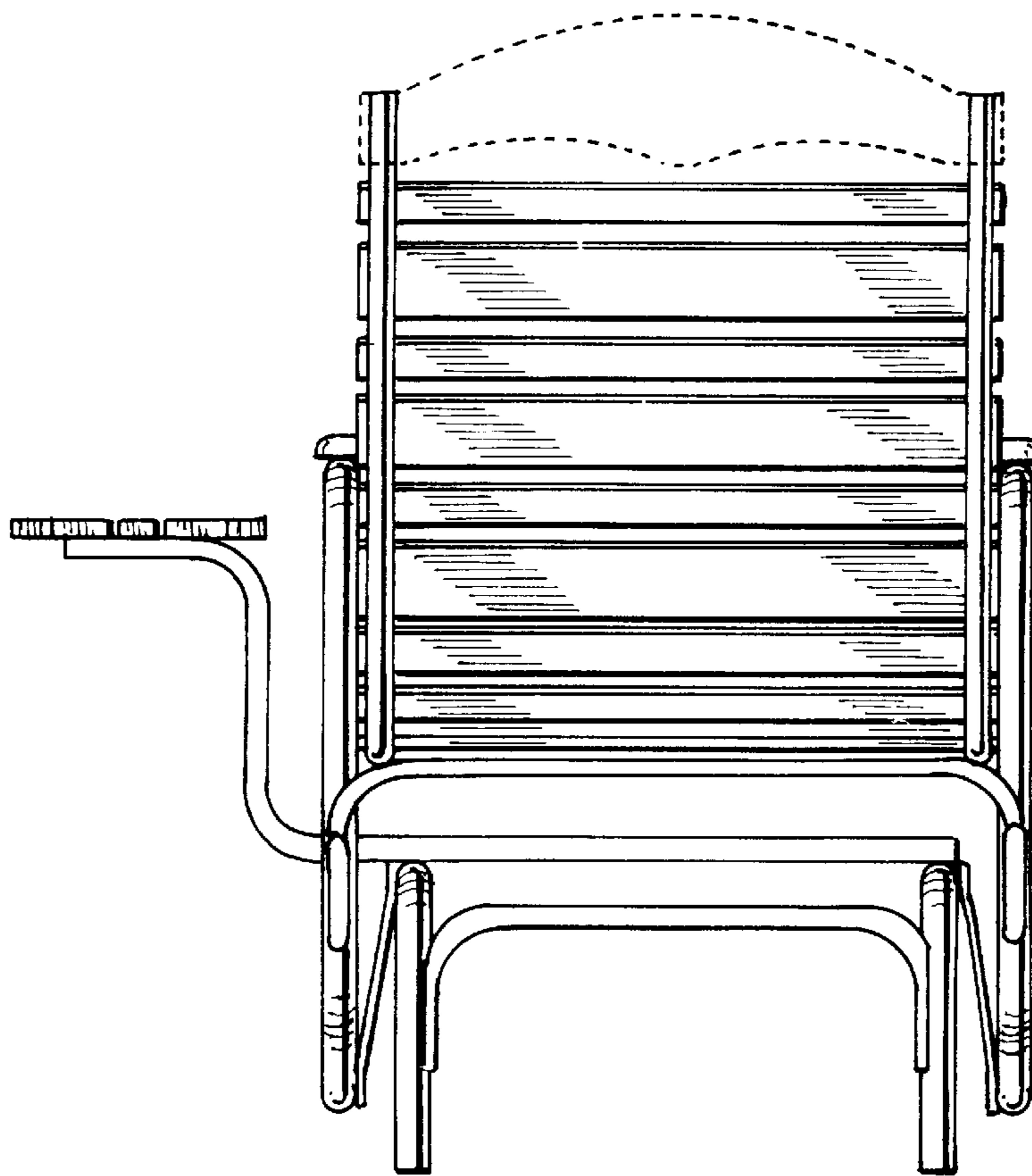


FIG. 12

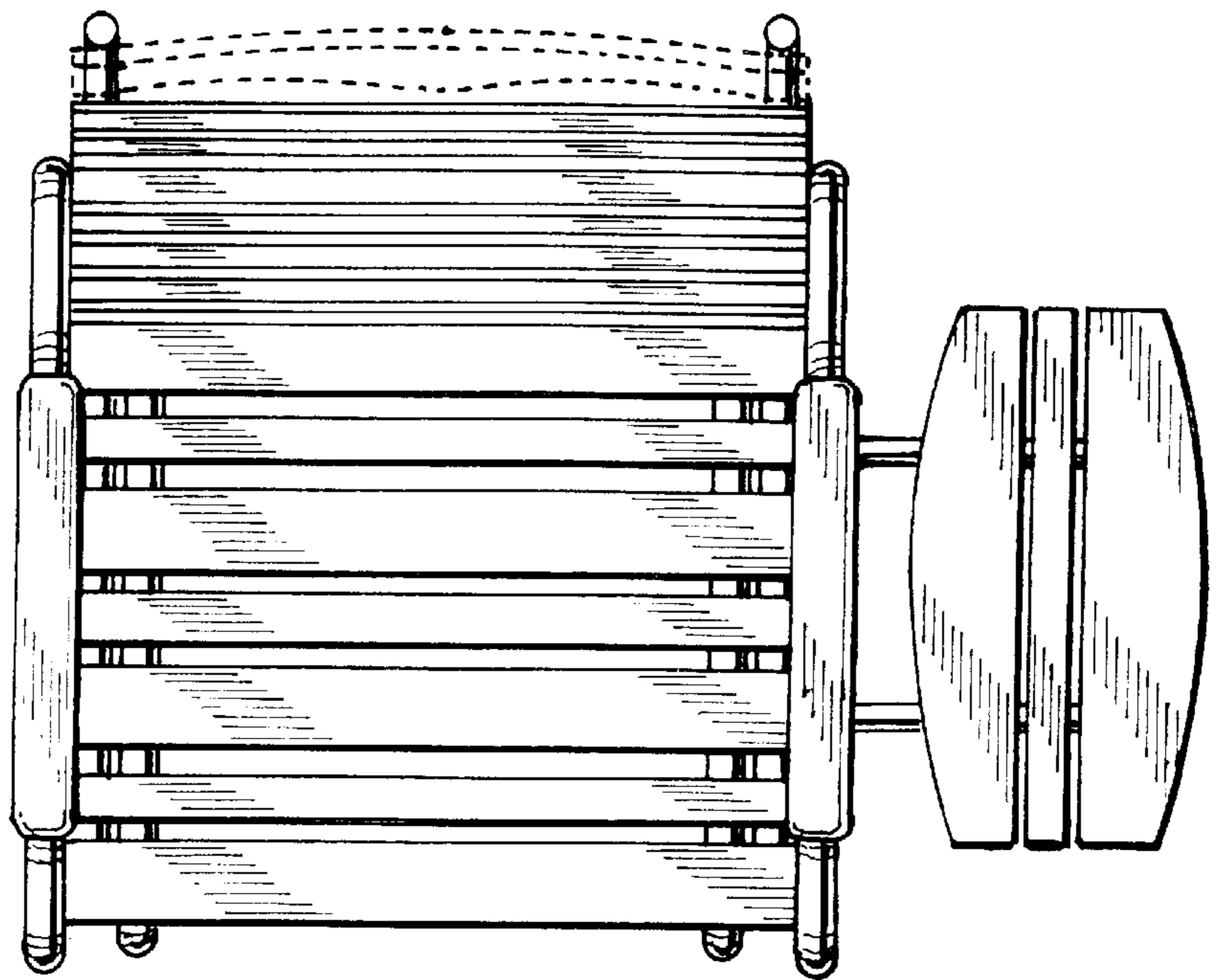


FIG. 13

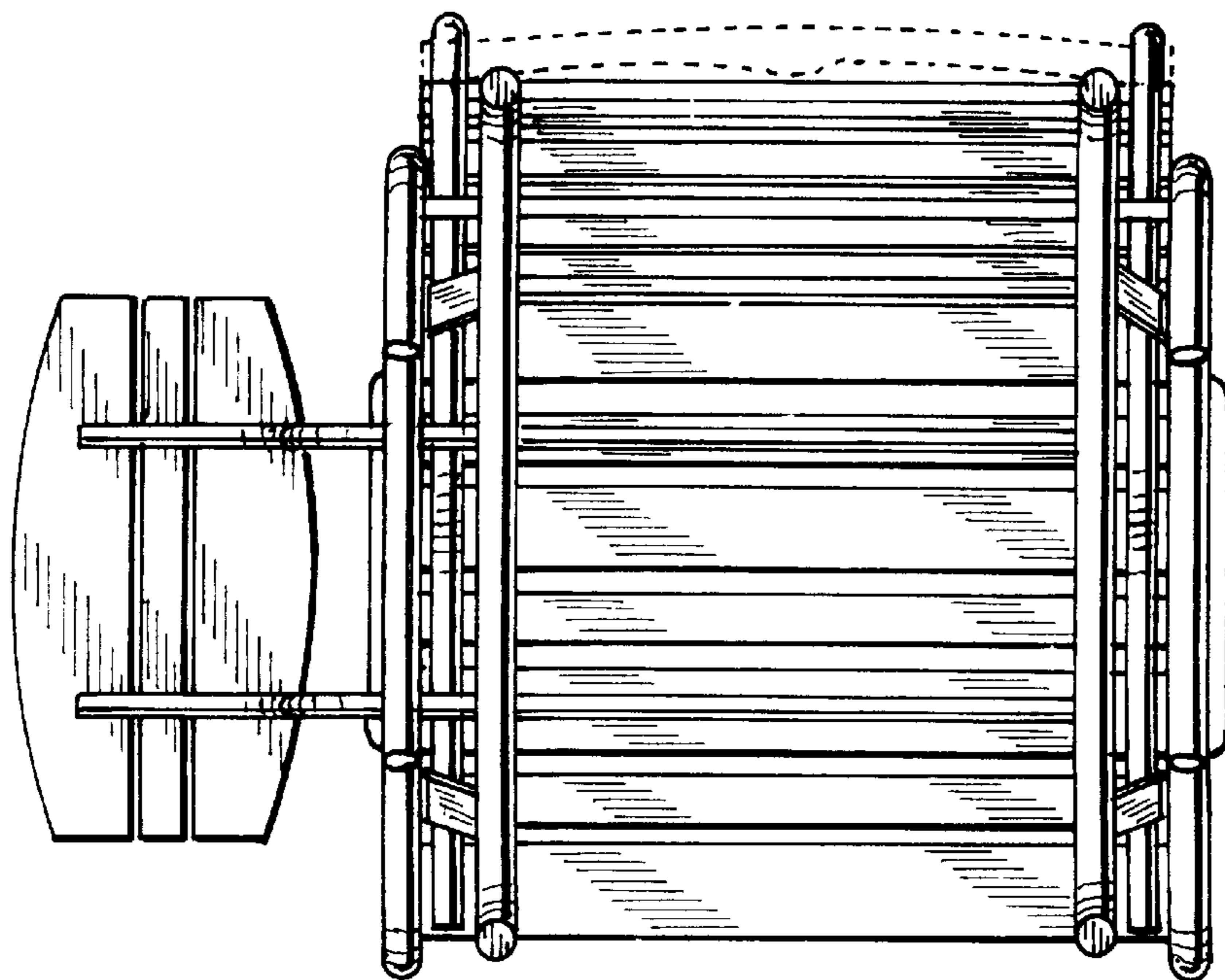


FIG. 14

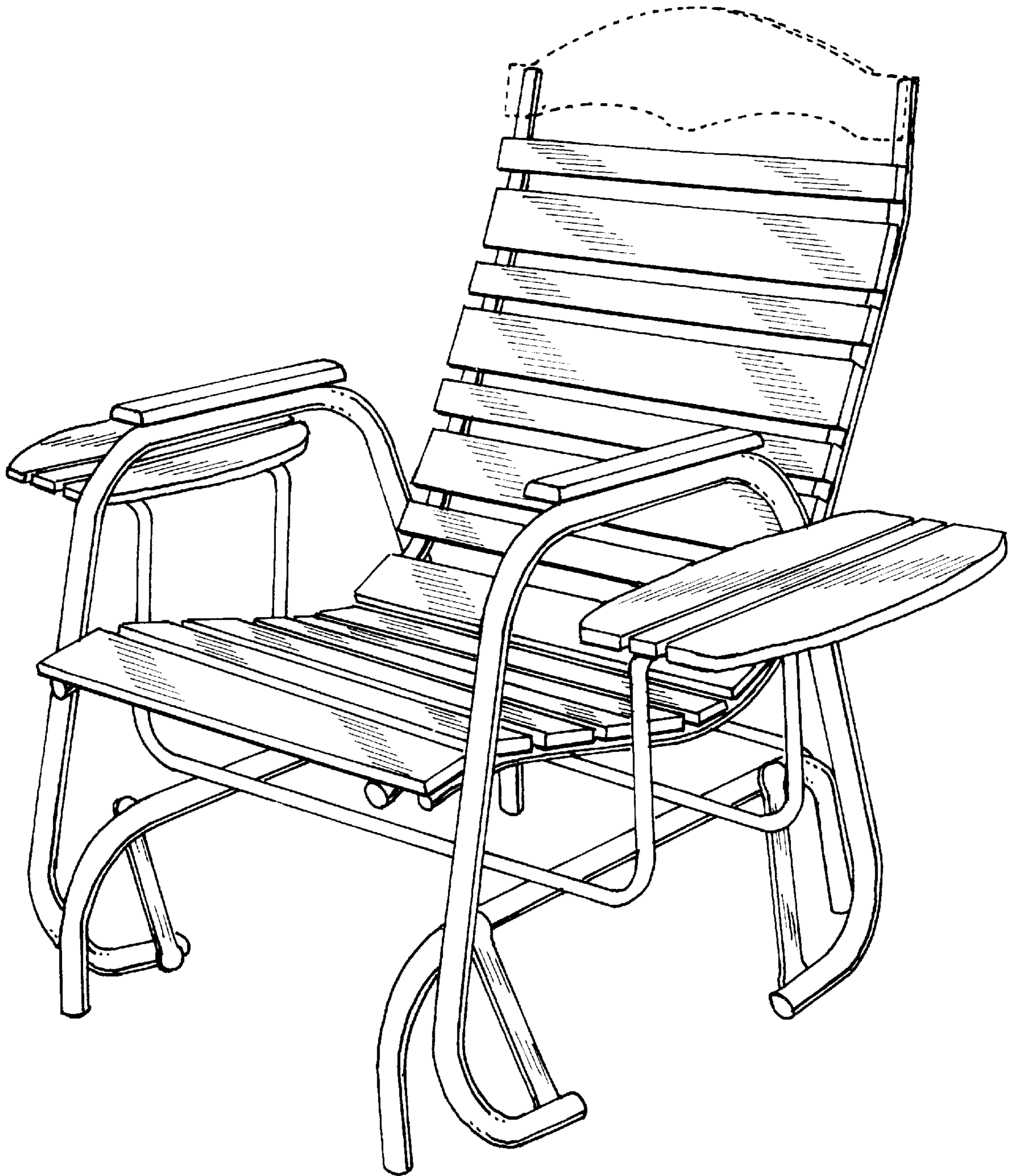


FIG. 15

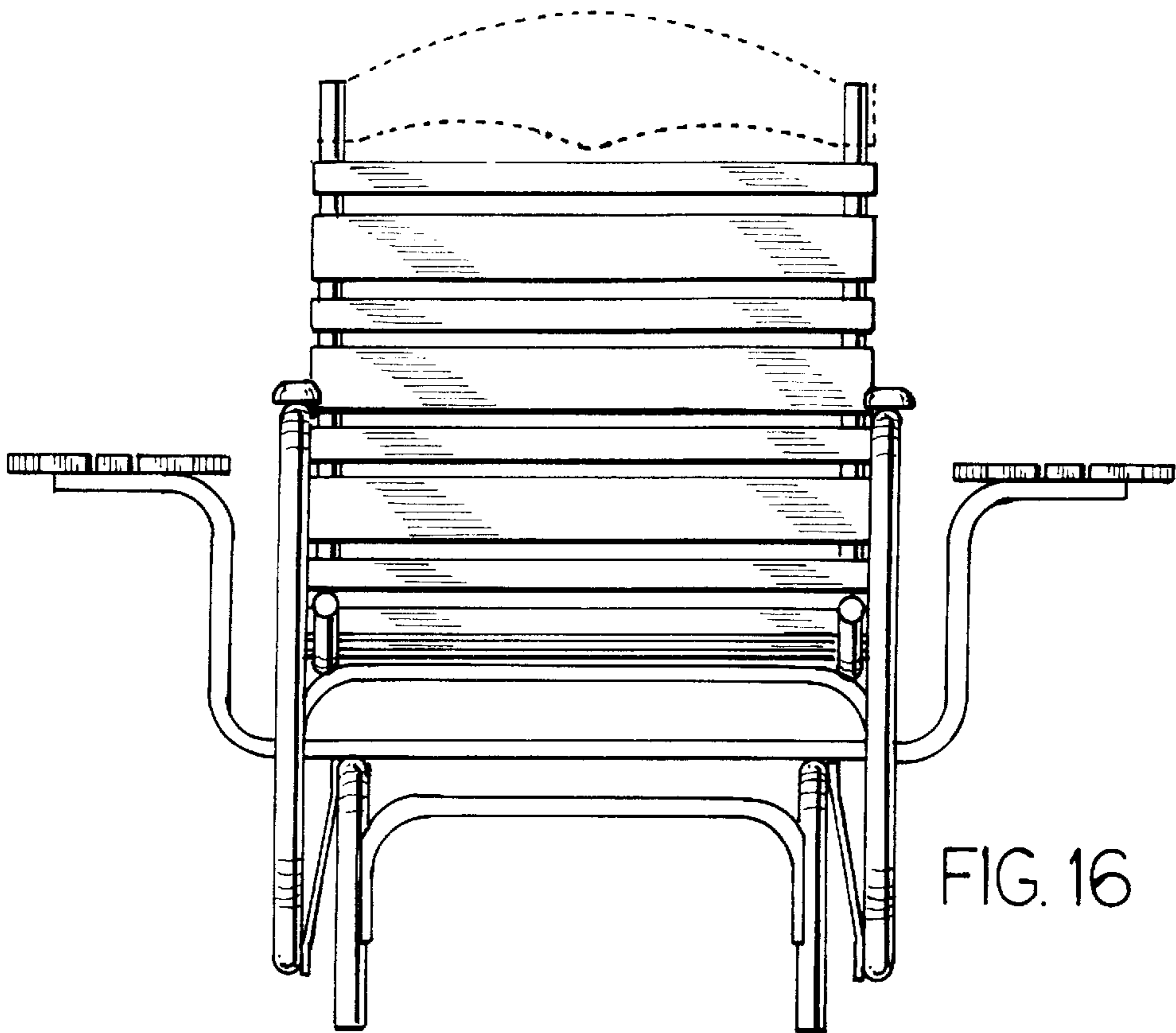


FIG. 16

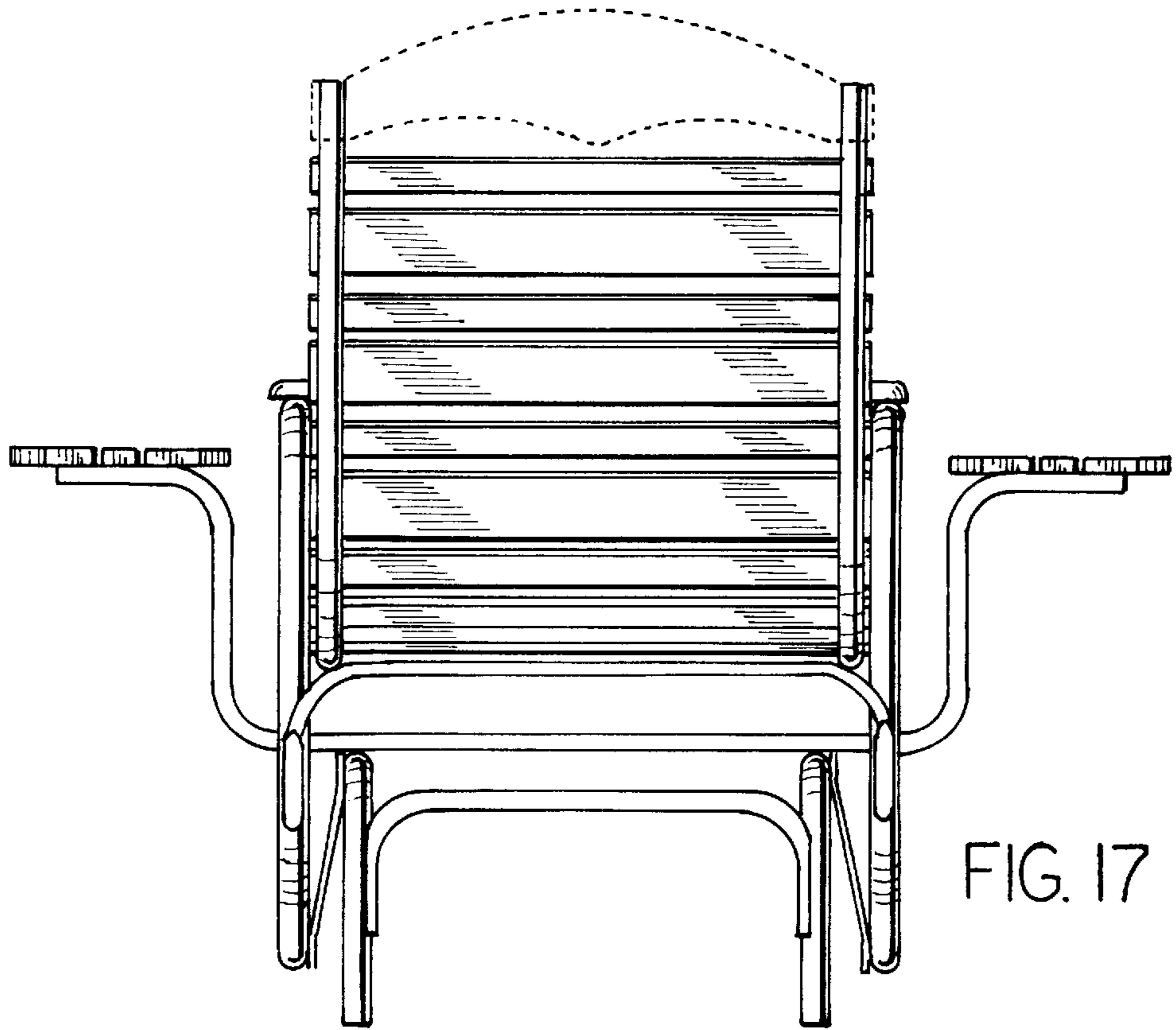


FIG. 17

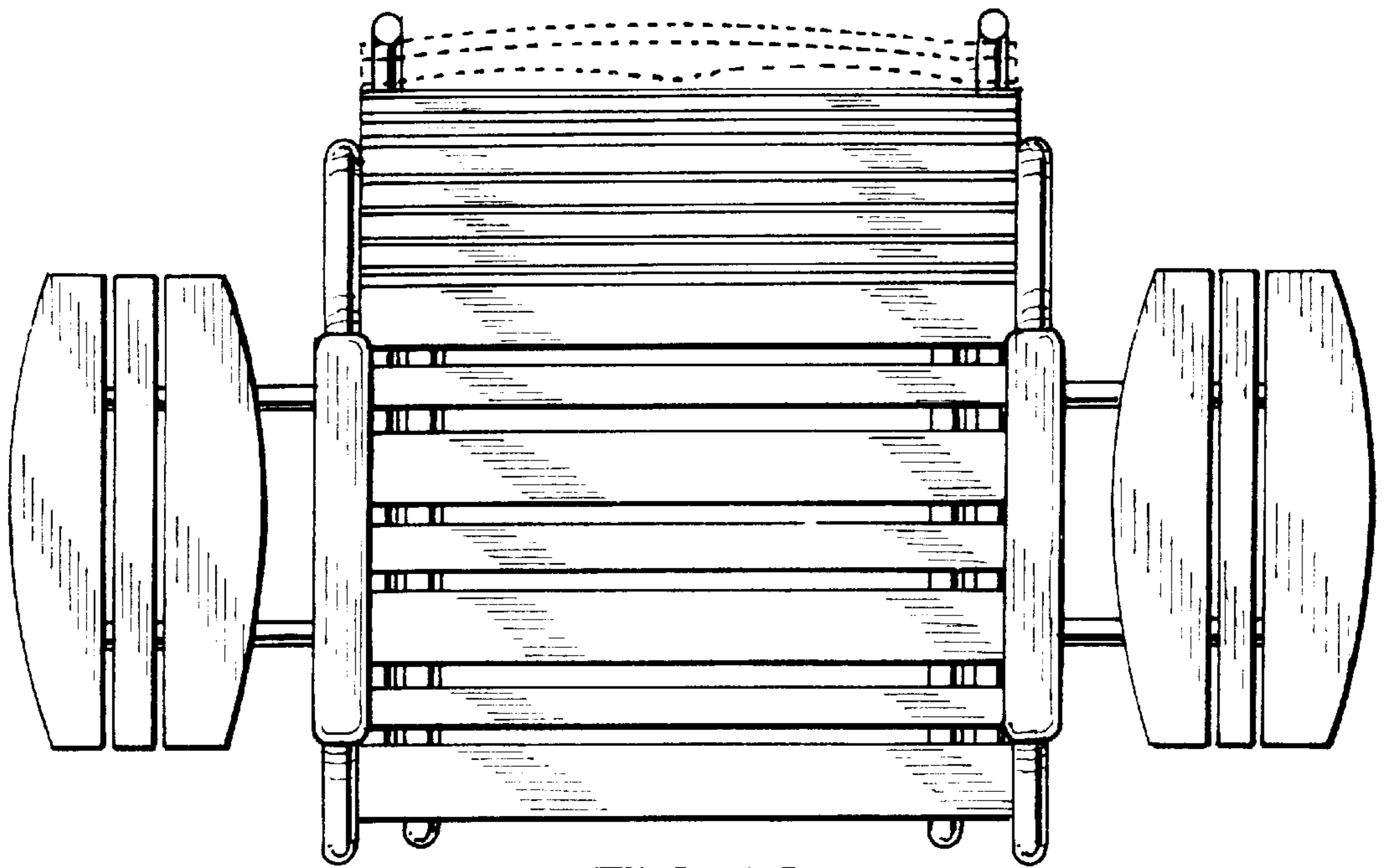


FIG. 18

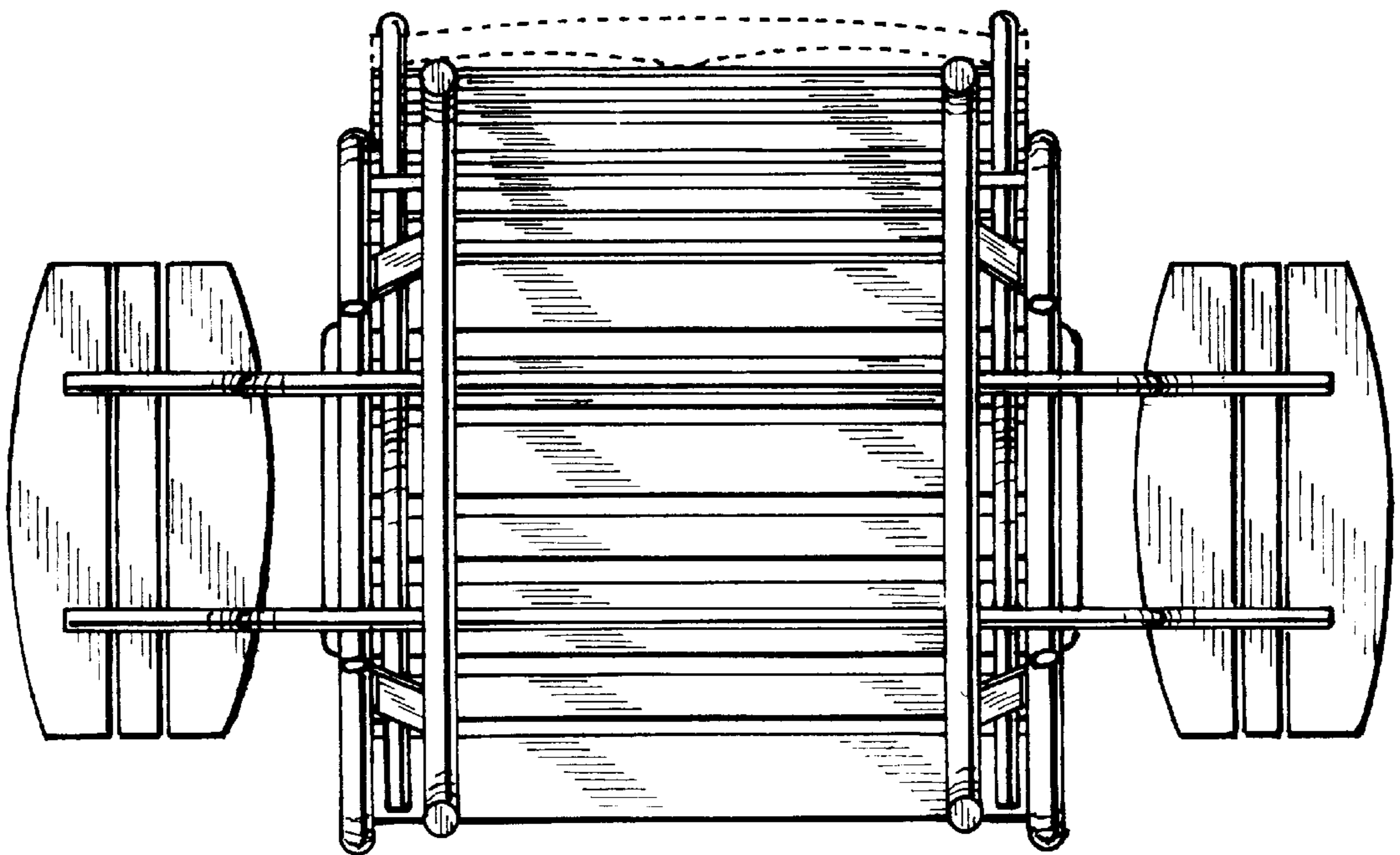


FIG. 19