



US00D417557S

United States Patent [19]
Blanchard

[11] **Patent Number: Des. 417,557**

[45] **Date of Patent: ** Dec. 14, 1999**

[54] **ADJUSTABLE PINCH CLIP HANGER**

D. 409,006 5/1999 Blanchard D6/326
5,398,854 3/1995 Blanchard 223/96
5,400,932 3/1995 Hollis 223/96

[76] Inventor: **Russell O. Blanchard**, 154 S. Church St., Zeeland, Mich. 49464

[**] Term: **14 Years**

Primary Examiner—B. J. Bullock
Attorney, Agent, or Firm—Baker & McKenzie

[21] Appl. No.: **29/082,319**

[57] **CLAIM**

[22] Filed: **Jan. 20, 1998**

The ornamental design for an adjustable pinch clip hanger, as shown and described.

[51] **LOC (6) Cl.** **06-08**

DESCRIPTION

[52] **U.S. Cl.** **D6/326**

[58] **Field of Search** D6/315, 326, 328;
211/113; 223/85, 91, 93, 96; 24/500, 501,
511

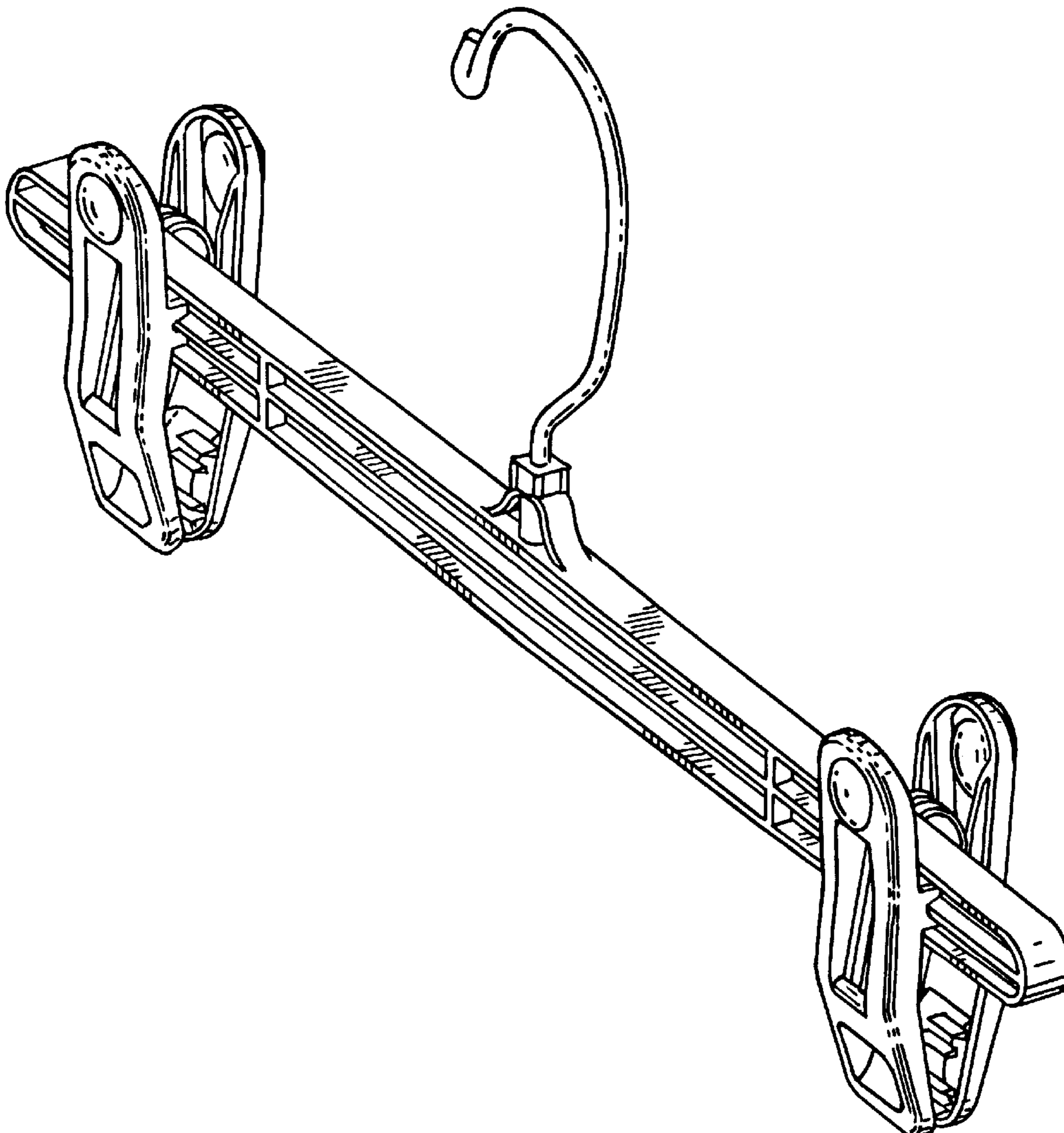
FIG. 1 is a perspective view of a hanger embodying my invention;
FIG. 2 is a side elevational view thereof;
FIG. 3 is a fragmentary front elevational view thereof, the rear being a mirror image;
FIG. 4 is a top plan view thereof; and,
FIG. 5 is bottom view thereof.

[56] **References Cited**

U.S. PATENT DOCUMENTS

D. 301,808 6/1989 Marshall D6/326
D. 381,523 7/1997 Beverly D6/326

1 Claim, 2 Drawing Sheets



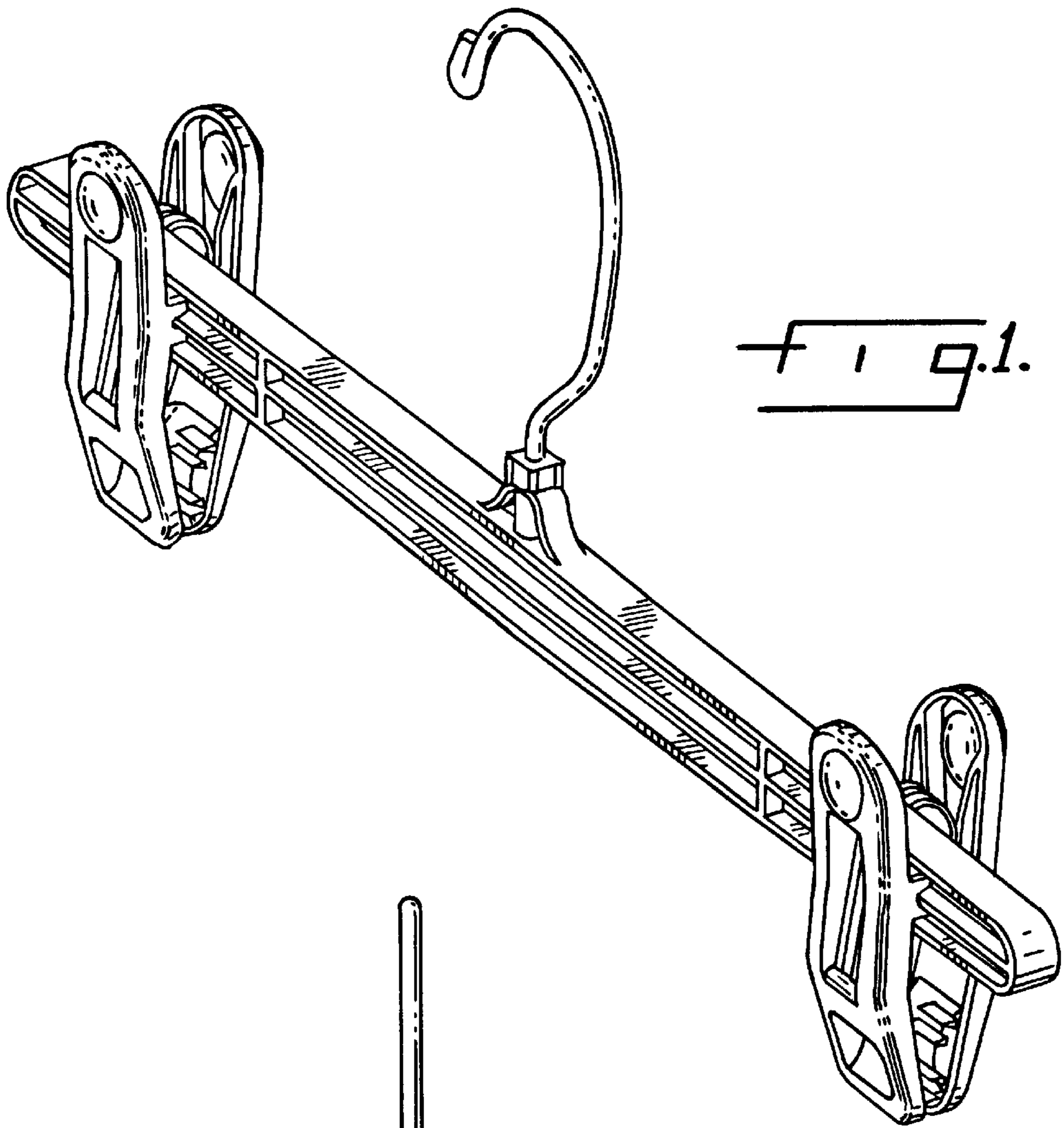


Fig. 1.

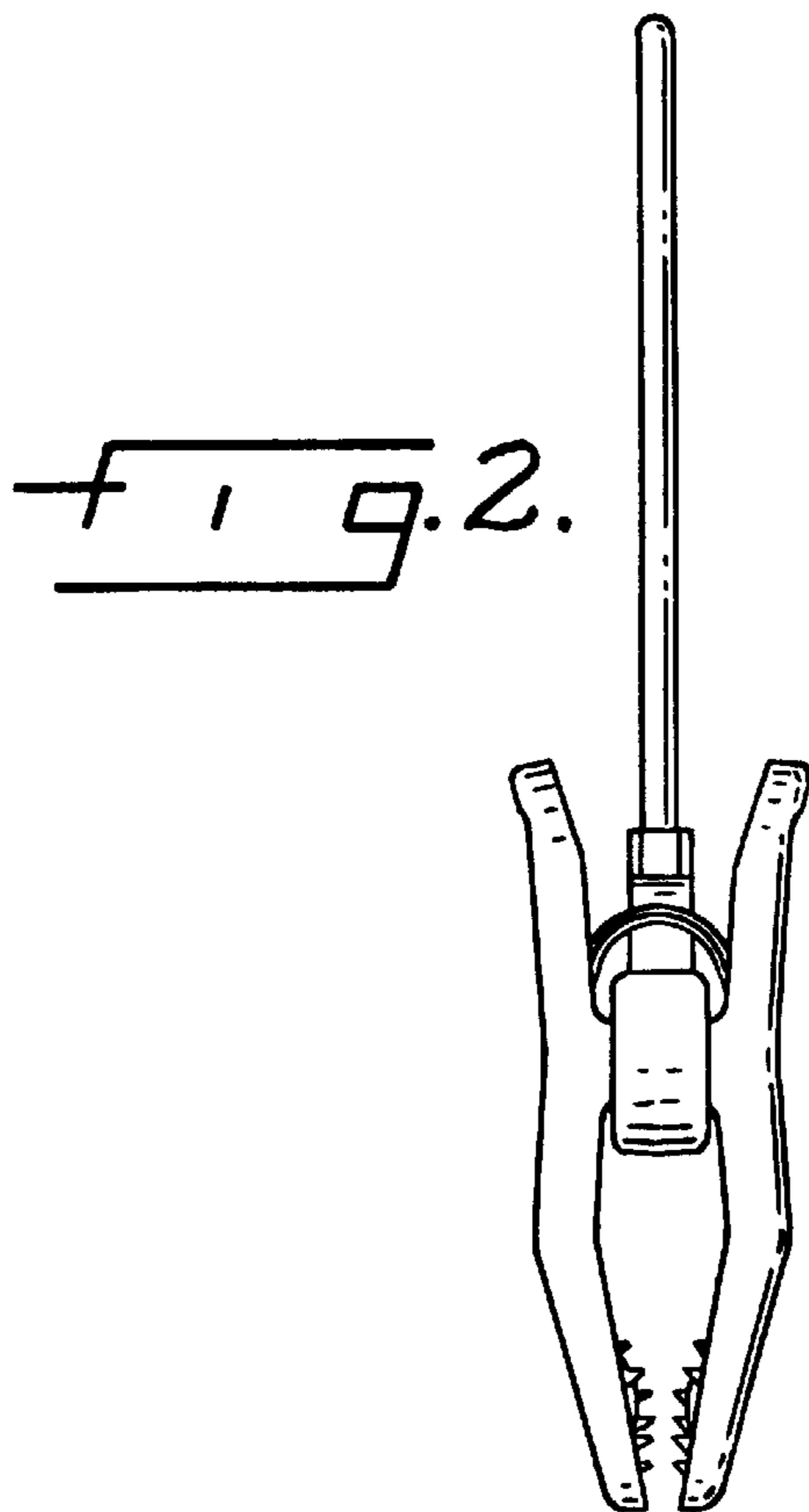


Fig. 2.

