



US00D417555S

# United States Patent [19]

Yared et al.

[11] Patent Number: **Des. 417,555**

[45] Date of Patent: **\*\* Dec. 14, 1999**

[54] **LATCH ASSEMBLY**

[76] Inventors: **Linda Sue Yared**, 105 S. Western Ave., New Hampton; **Christopher Wildeboer**, 1340 Gilmore Ave., Alta Vista, both of Iowa 50659; **Gene Charles Light**, 124 Hidden Meadow La., Denver, Iowa 50622

[\*\*] Term: **14 Years**

[21] Appl. No.: **29/082,954**

[22] Filed: **Feb. 2, 1998**

[51] **LOC (6) Cl.** ..... **06-07**

[52] **U.S. Cl.** ..... **D6/306**

[58] **Field of Search** ..... D8/301, 306, 312, D8/300, 338, 313; 292/216, 165, DIG. 31, 336.3, 347, 337; 70/208, 472; 16/110 R, 111 R, 124

[56] **References Cited**

**U.S. PATENT DOCUMENTS**

D. 218,672	9/1970	Lauper	.....	D8/306
D. 314,131	1/1991	Russell et al.	.....	D8/321
D. 339,050	9/1993	Gleason et al.	.....	D8/301
D. 346,731	5/1994	Larsen et al.	.....	D8/301
D. 371,500	7/1996	McConnell et al.	.....	D8/302

D. 373,298	9/1996	Miehe et al.	.....	D8/302
D. 383,664	9/1997	Bennett	.....	D8/331
D. 390,086	2/1998	Weinerman et al.	.....	D8/306
2,987,908	6/1961	Pelcin	.....	292/DIG. 31
4,858,973	8/1989	Ogasawara et al.	.....	292/347
4,989,907	2/1991	Edmonds et al.	.....	292/223

*Primary Examiner*—Pamela Burgess  
*Attorney, Agent, or Firm*—Wood, Phillips, VanSanten, Clark & Mortimer

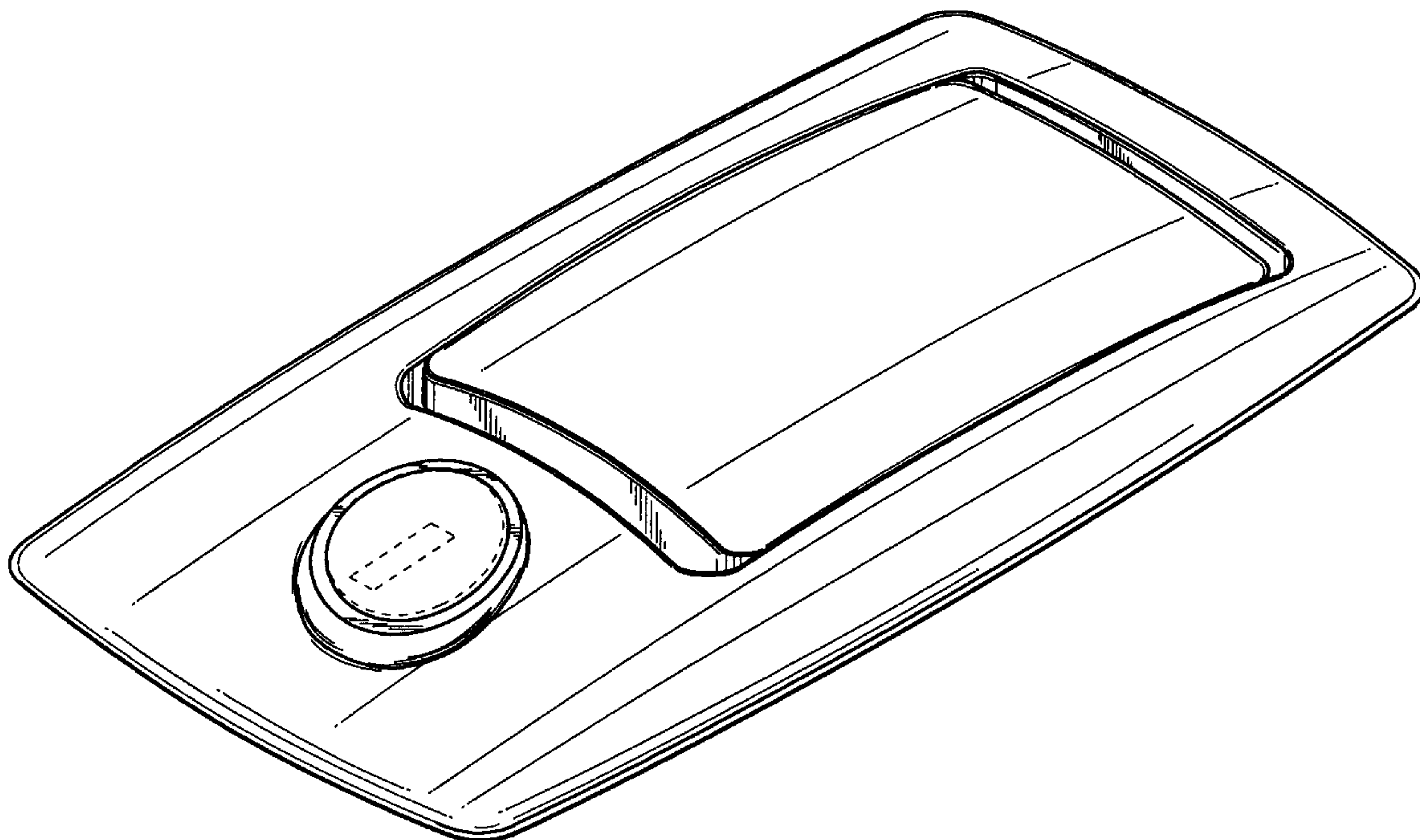
[57] **CLAIM**

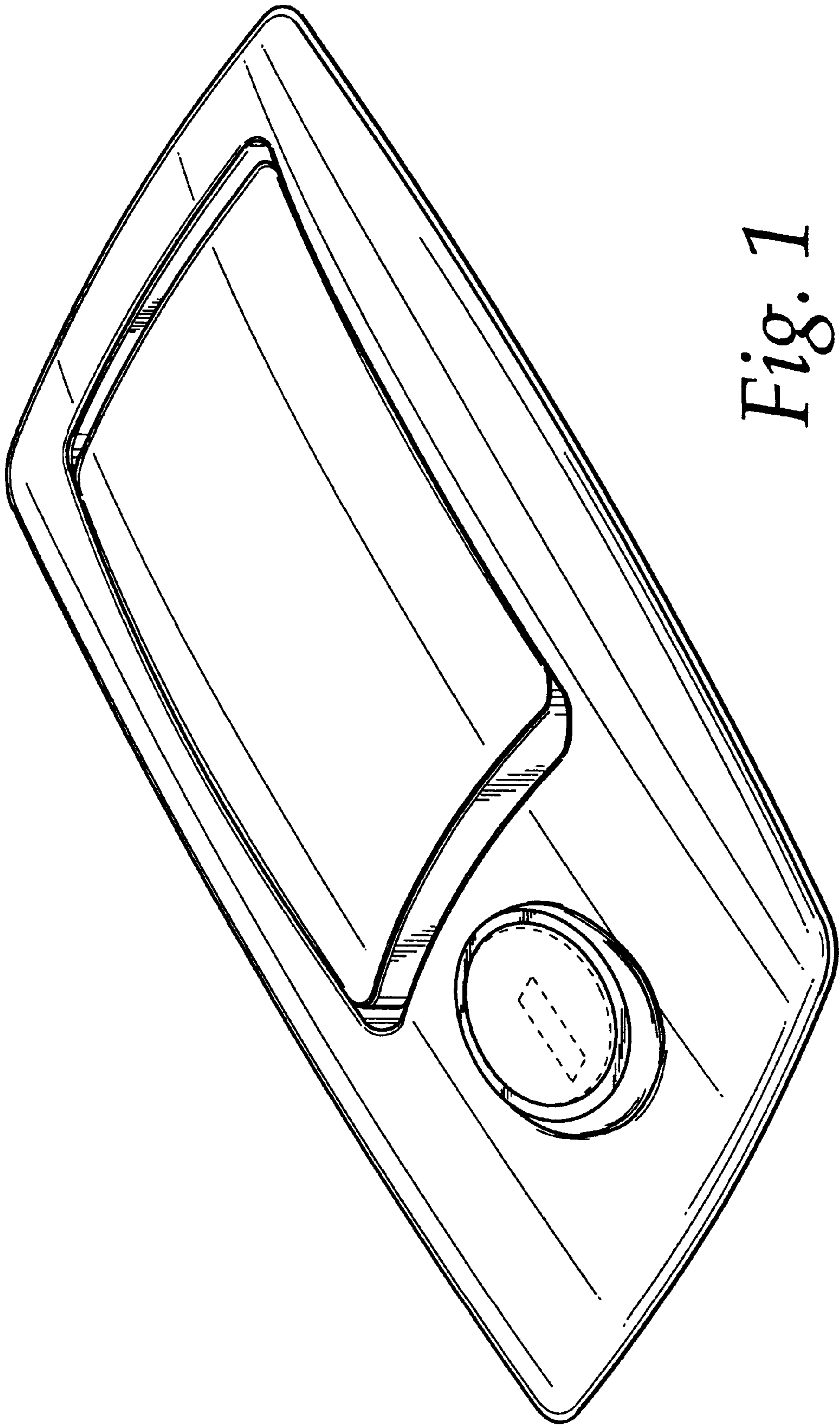
The ornamental design for a latch assembly, as shown and described.

**DESCRIPTION**

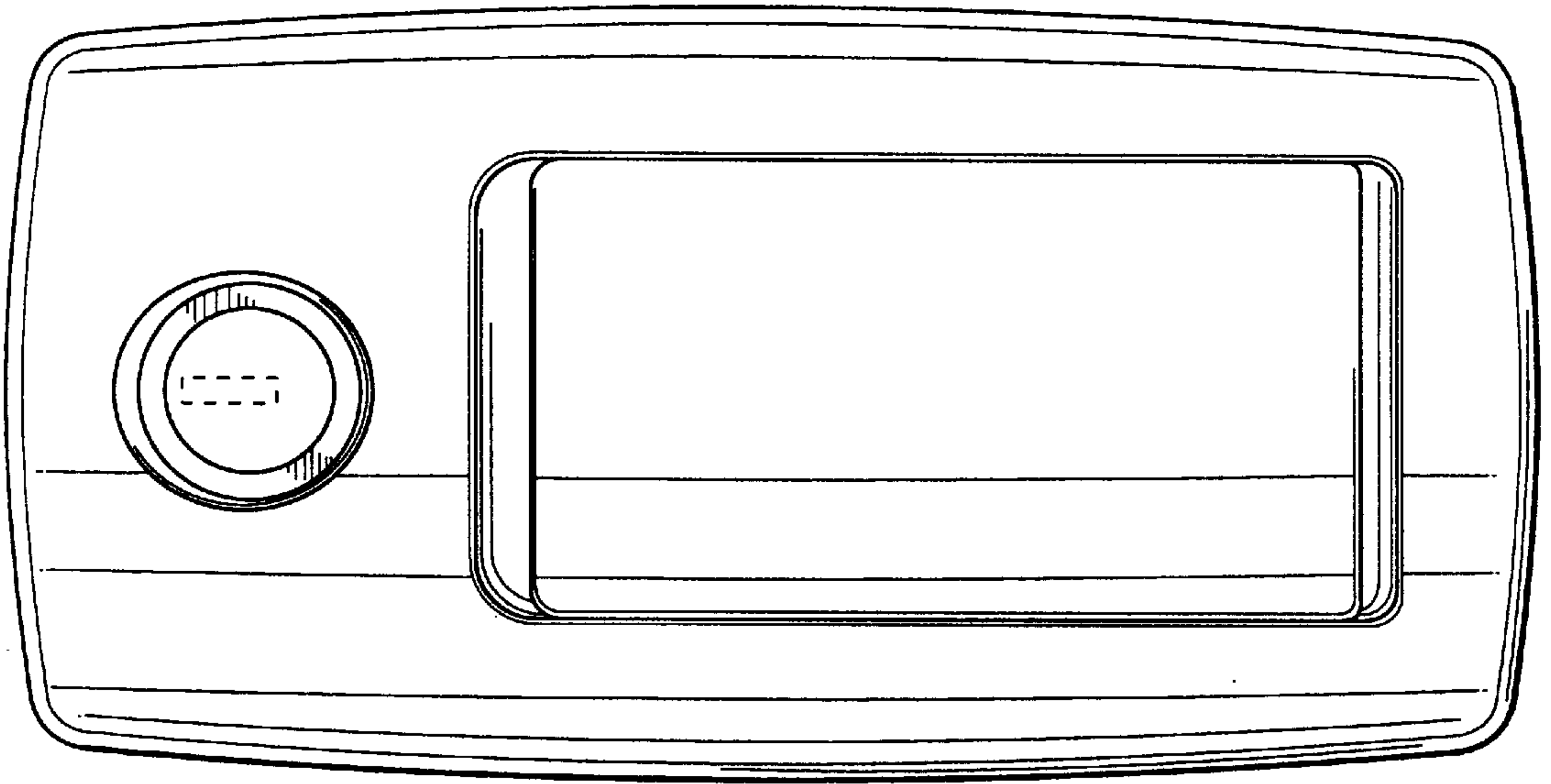
FIG. 1 is a left side, top and front perspective view of our design for a latch assembly;  
FIG. 2 is a front elevation view thereof;  
FIG. 3 is a rear elevation view thereof;  
FIG. 4 is a plan view thereof;  
FIG. 5 is a bottom view thereof;  
FIG. 6 is a left side elevation view thereof; and,  
FIG. 7 is a right side elevation view thereof.  
The broken line environmental showing in FIGS. 1-7 is for illustrative purposes only and forms no part of the claimed design.

**1 Claim, 3 Drawing Sheets**

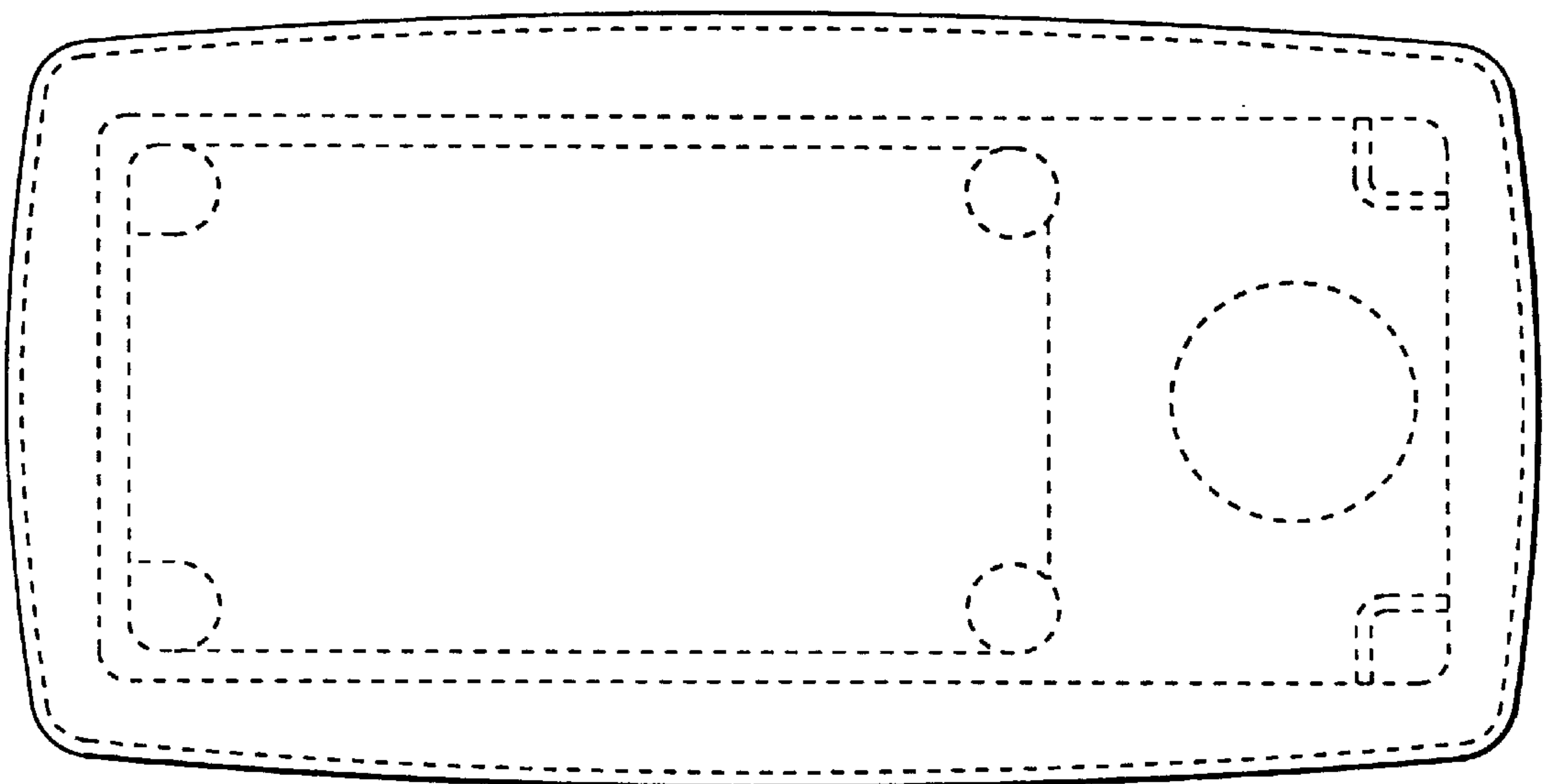




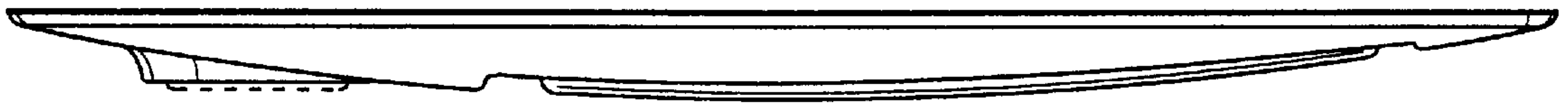
*Fig. 1*



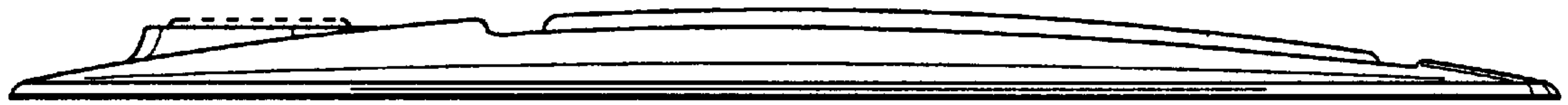
*Fig. 2*



*Fig. 3*



*Fig. 4*



*Fig. 5*



*Fig. 6*



*Fig. 7*