



US00D417553S

United States Patent [19] Davila

[11] **Patent Number: Des. 417,553**

[45] **Date of Patent: ** Dec. 14, 1999**

[54] **HAIRBRUSH HEAD**

[75] Inventor: **Catherine M. Davila**, Seattle, Wash.

[73] Assignee: **Chainlink, Inc.**, Seattle, Wash.

[**] Term: **14 Years**

[21] Appl. No.: **29/092,186**

[22] Filed: **Aug. 13, 1998**

[51] **LOC (6) Cl.** **04-02**

[52] **U.S. Cl.** **D4/138**

[58] **Field of Search** D4/130, 132-134,
D4/136, 138; 15/143.1, 159.1, 160, 186-188;
132/120, 313

[56] **References Cited**

U.S. PATENT DOCUMENTS

D. 306,523	3/1990	Natali et al.	D4/136	X
D. 359,624	6/1995	Dols	D4/136	
D. 384,058	9/1997	Pinon	D4/136	
4,030,158	6/1977	Blair et al.	15/159.1	

OTHER PUBLICATIONS

Centrix Designs. Brochure. "T chnique™ thermal collection".  1993 Centrix Designs. San Francisco, California. 2 pages.

Centrix Designs. Brochure. "The Latest In T chnique™ For the Stylist, Technique Round Metal Barrel Brushes With New Removable Sectioning Pick Designed Especially for the Stylist."   1994 Centrix Designs. San Francisco, California. 1 page.

Primary Examiner—Alan P. Douglas
Assistant Examiner—Lavone D. Tabor
Attorney, Agent, or Firm—Ronald M. Anderson

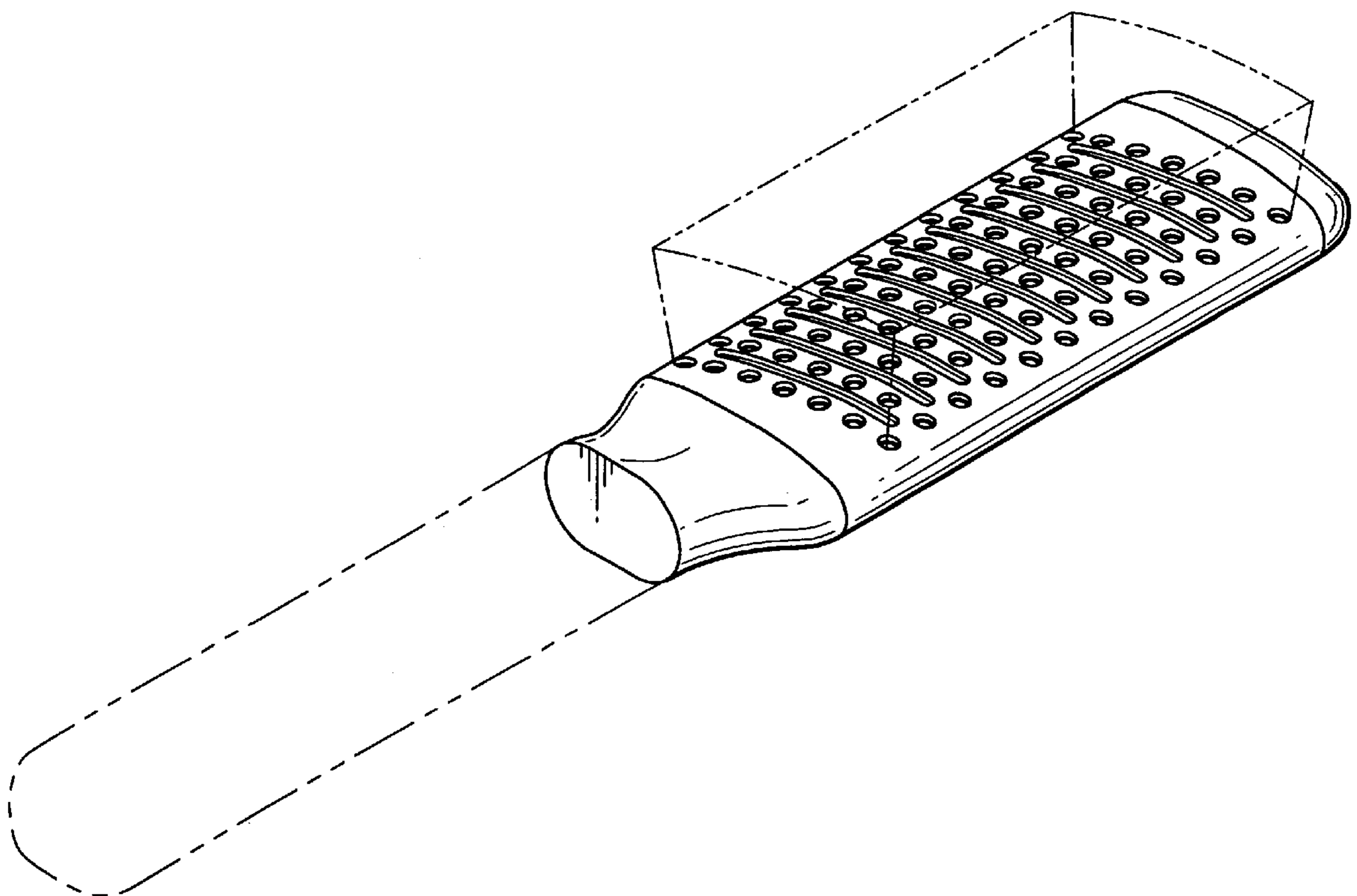
[57] **CLAIM**

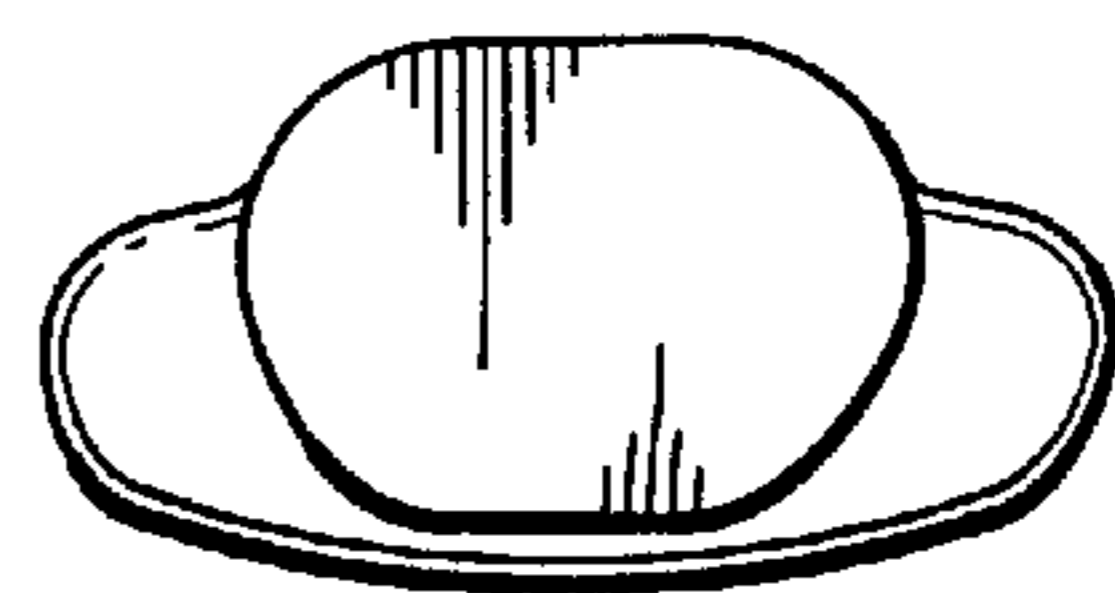
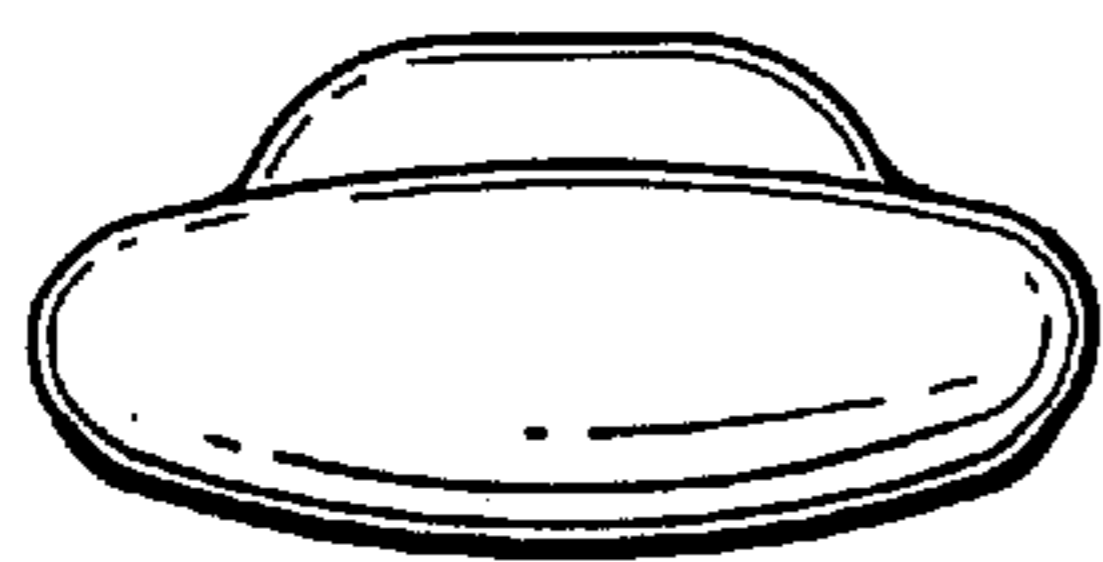
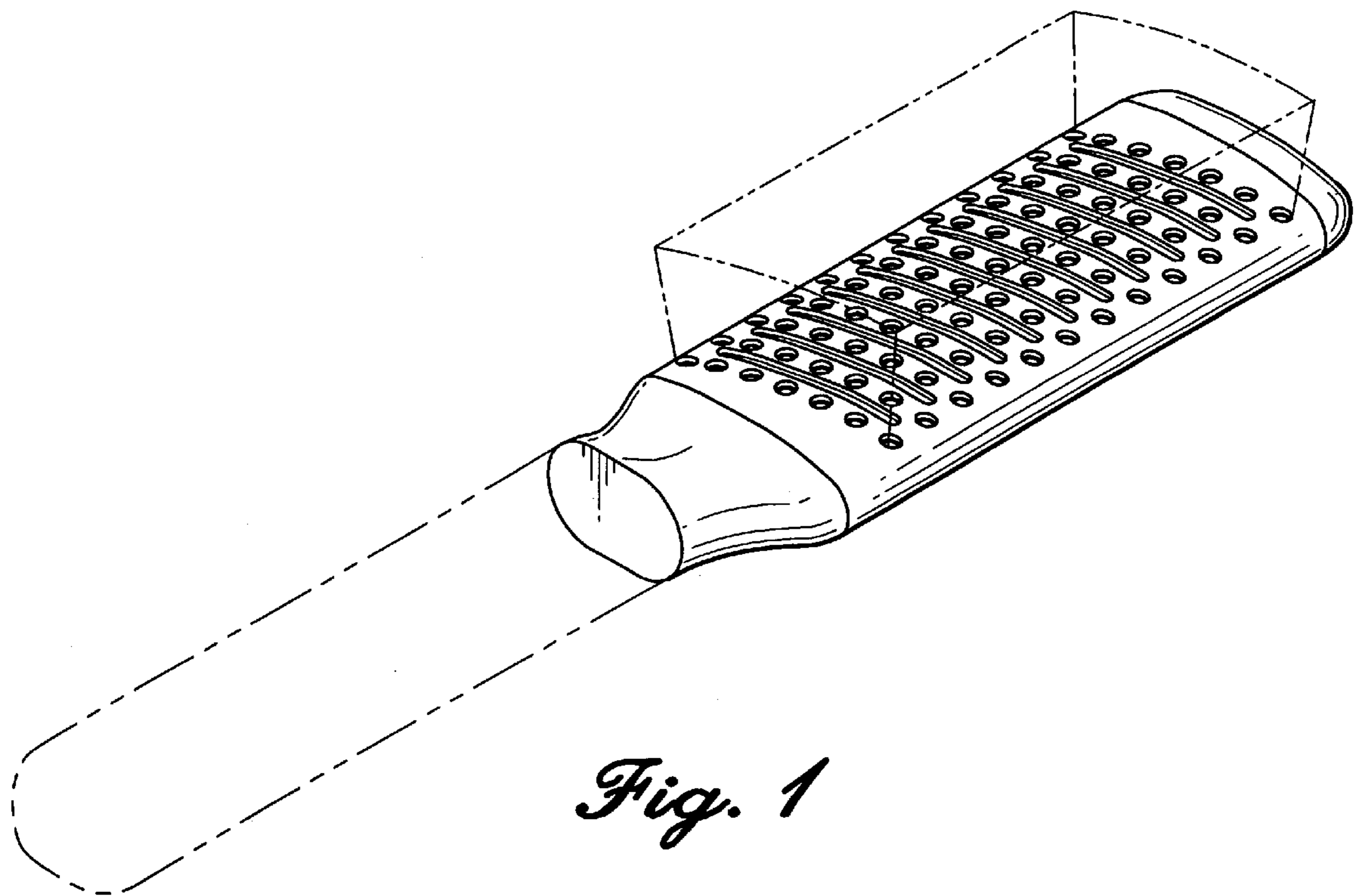
The ornamental design for a hairbrush head, as shown and described.

DESCRIPTION

FIG. 1 is an isometric view of a hairbrush head, showing my new design;
FIG. 2 is an elevational view of one end thereof;
FIG. 3 is an elevational view of an opposite end thereof;
FIG. 4 is a top plan view thereof;
FIG. 5 is a bottom plan view thereof;
FIG. 6 is an elevational view of one side thereof; and,
FIG. 7 is an elevational view of an opposite side thereof.
The broken line showing of a handle and bristles is for illustrative purposes only and forms no part of the claim.

1 Claim, 3 Drawing Sheets





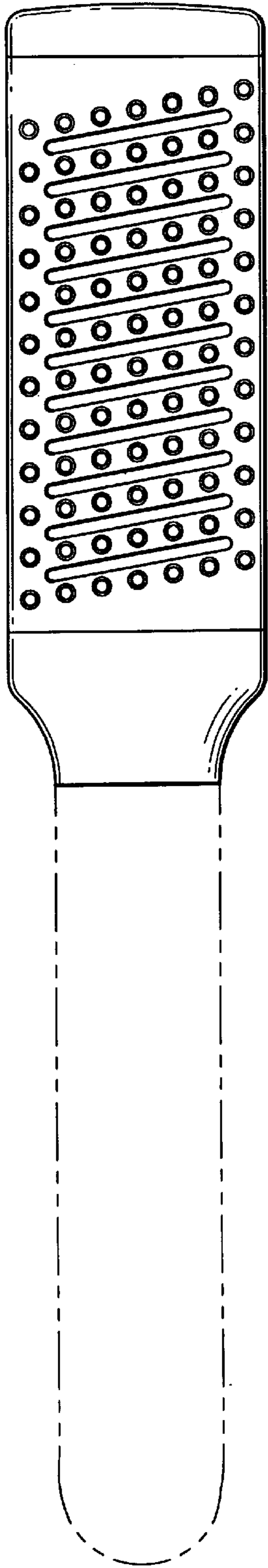


Fig. 4

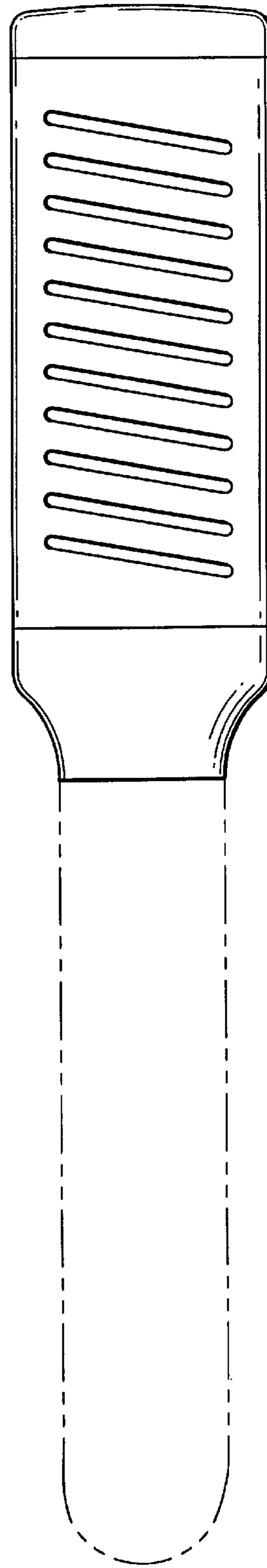


Fig. 5

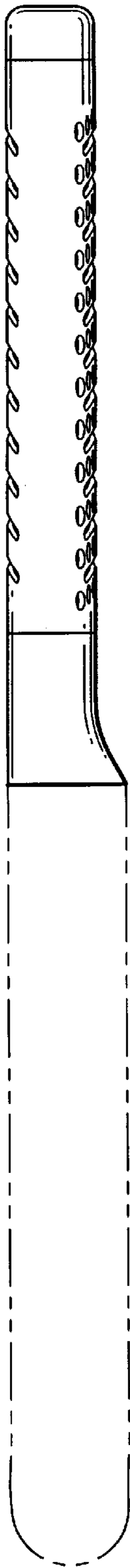


Fig. 6

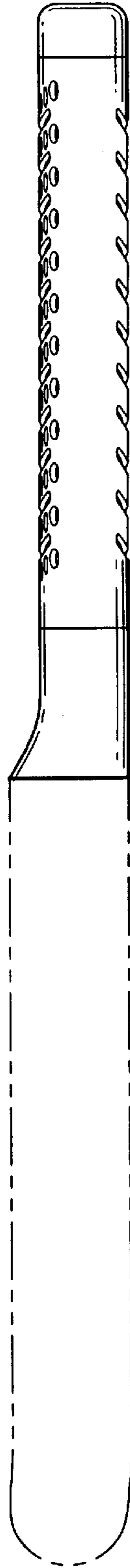


Fig. 7