



US00D417552S

United States Patent [19]

Snetting et al.

[11] Patent Number: Des. 417,552

[45] Date of Patent: ** Dec. 14, 1999

[54] MODULAR MANUAL ROLLER HANDLE

[75] Inventors: **Mark E. Snetting; Steven A. Anderson**, both of Eden Prairie; **Richard C. Schoenert**, Hopkins; **Neil T. Amundson**, Eden Prairie, all of Minn.

[73] Assignee: **Wagner Spray Tech Corporation**, Minneapolis, Minn.

[**] Term: **14 Years**

[21] Appl. No.: **29/091,972**

[22] Filed: **Aug. 10, 1998**

[51] LOC (6) Cl. **08-05**

[52] U.S. Cl. **D4/138; D4/115**

[58] Field of Search D4/115, 122, 138; 401/143, 144, 146, 147, 188 R, 197, 203, 204, 207, 218, 219; 222/191, 192, 309, 631; 141/20.5

[56] References Cited

U.S. PATENT DOCUMENTS

D. 294,087	2/1988	Clivio et al.	D4/138
3,020,579	2/1962	O'Connor .	
3,337,899	8/1967	Rentfrow	401/144 X
3,554,659	1/1971	Stokes .	
3,612,707	10/1971	Herbrechter .	
3,713,744	1/1973	Sims .	
4,588,318	5/1986	O'Brien et al. .	
4,597,684	7/1986	O'Brien et al.	401/197
4,611,941	9/1986	Karliner et al. .	
4,695,176	9/1987	Simonette et al. .	

4,732,503	3/1988	Bader et al.	401/197
4,810,123	3/1989	Bruggeman .	
4,822,194	4/1989	Simonette .	
4,997,302	3/1991	Simonette .	

OTHER PUBLICATIONS

Stainstick Product Cart PN800416 (1997).
Sears Owner Manual for Craftsman Paint Roller Model 165.155400 (1984).
Homeright Product Catalog p/n 82070 (1997).
Homeright Painstick Roller Painting System Brochure (1996).

Primary Examiner—Alan P. Douglas
Assistant Examiner—Lavone D. Tabor
Attorney, Agent, or Firm—Faegre & Benson LLP

[57] CLAIM

The ornamental design for a modular manual roller handle, as shown and described.

DESCRIPTION

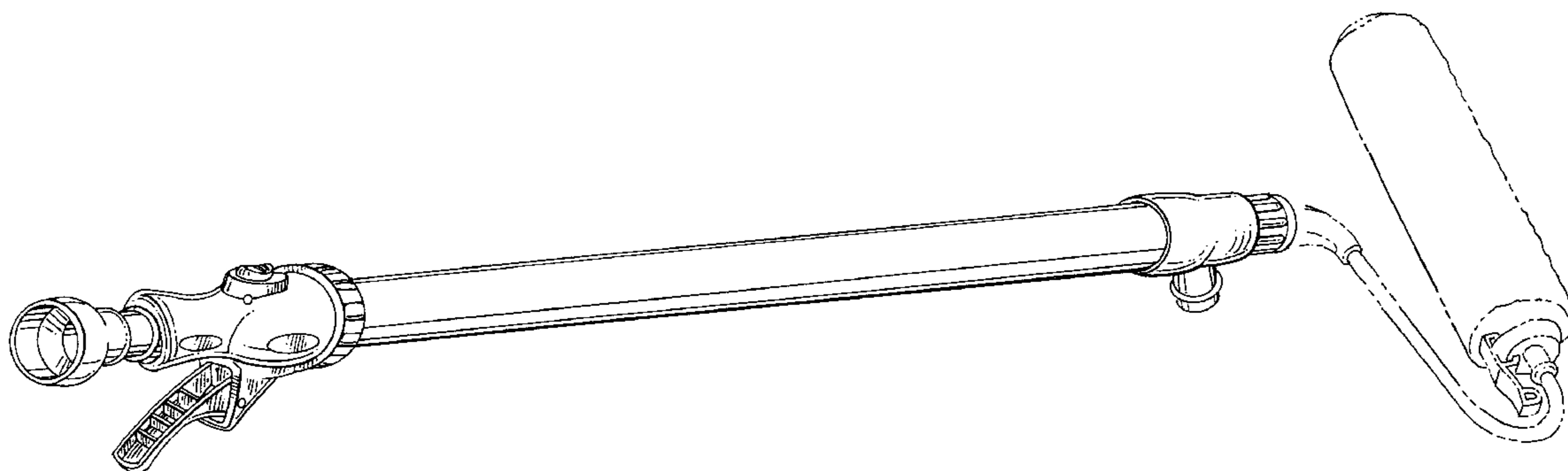
FIG. 1 is a view of the modular manual roller handle from above and to the right with the roller attachment shown in phantom.

FIG. 2 is a view of the modular manual roller handle from below; and,

FIG. 3 is a view of the modular manual roller handle from the left and slightly above with the roller attachment shown in phantom.

The broken lines showing a roller attachment in FIGS. 1 and 3 are for illustrative purposes only and form no part of the claimed design.

1 Claim, 2 Drawing Sheets



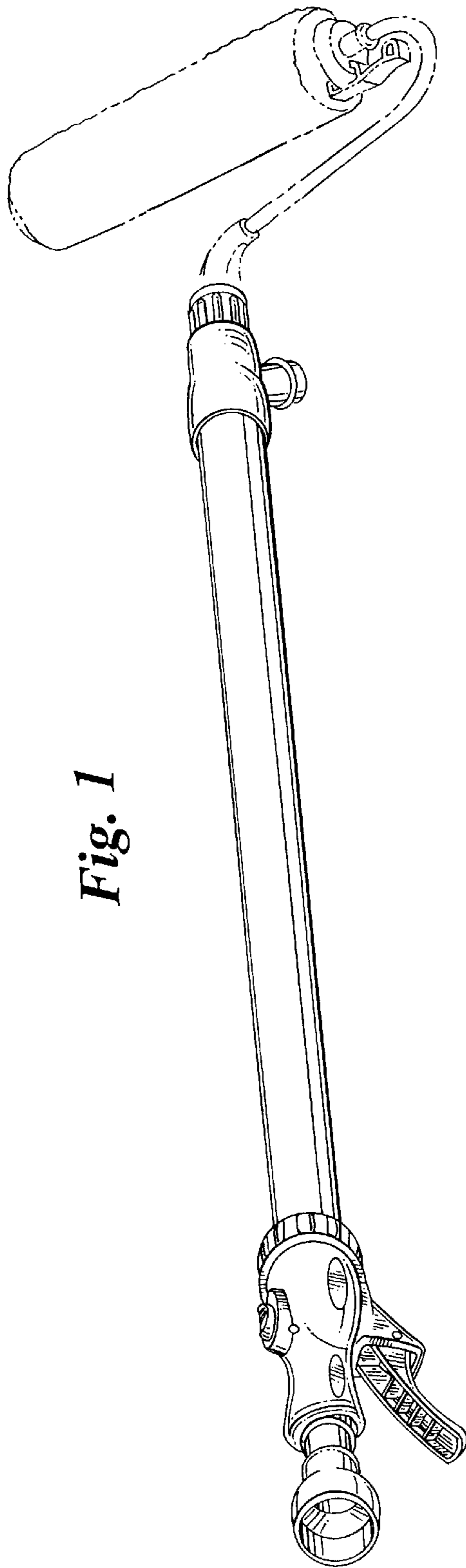


Fig. 1

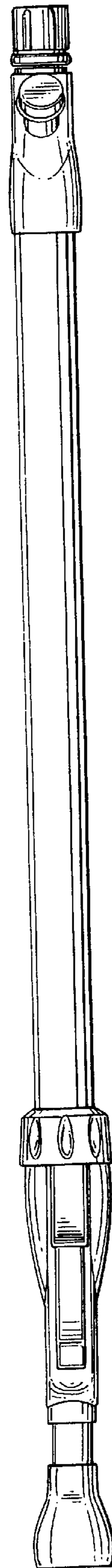


Fig. 2

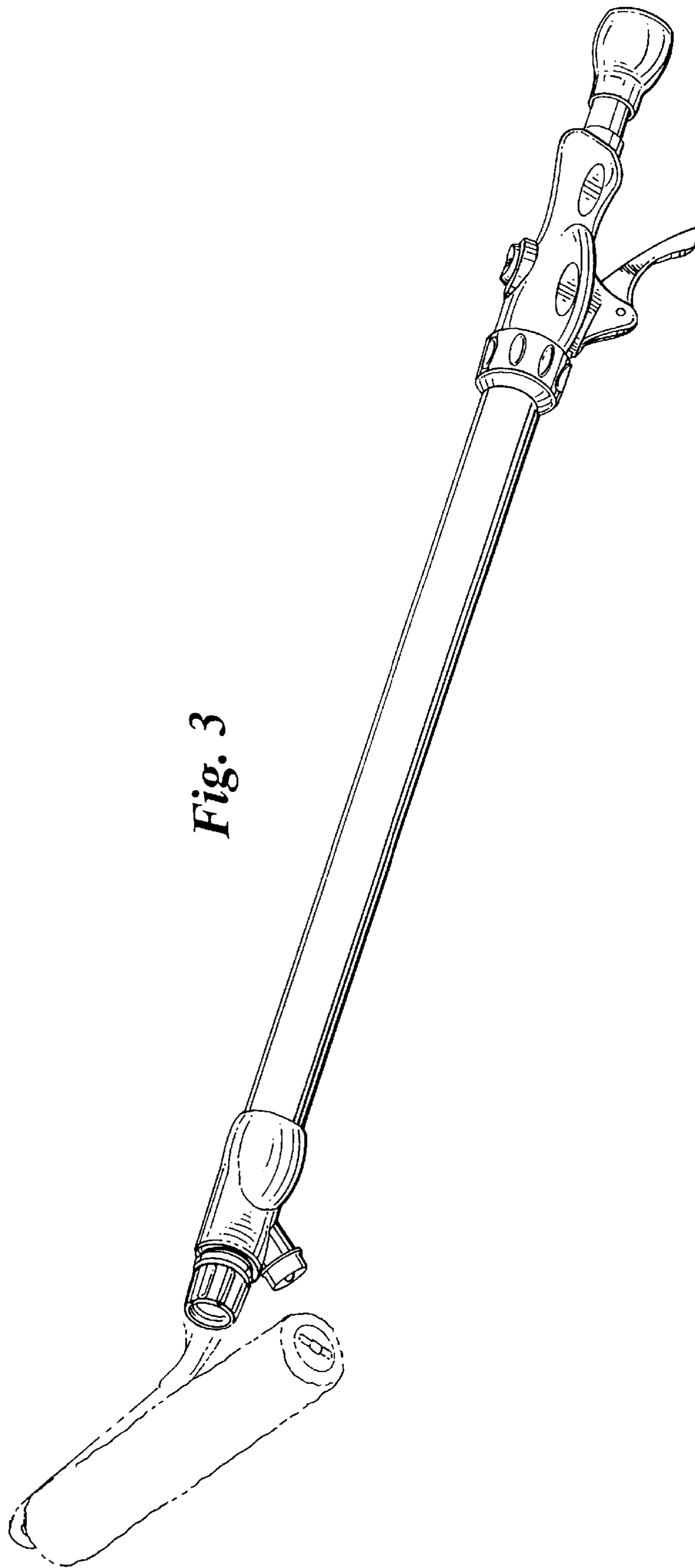


Fig. 3