



US00D417551S

United States Patent [19] Pinchuk

[11] Patent Number: **Des. 417,551**

[45] Date of Patent: **** Dec. 14, 1999**

[54] **GROOMING BRUSH FOR ANIMALS**

D. 357,810 5/1995 Evans D4/114
D. 409,388 5/1999 Pinchuk D4/136

[75] Inventor: **Rene C. Pinchuk**, Kensington, Calif.

[73] Assignee: **Sharper Image Corp.**, San Francisco, Calif.

[**] Term: **14 Years**

Primary Examiner—Alan P. Douglas
Assistant Examiner—Lavone D. Tabor
Attorney, Agent, or Firm—Flehr Hohbach Test Albritton & Herbert LLP

[21] Appl. No.: **29/094,092**

[22] Filed: **Sep. 25, 1998**

[57] **CLAIM**

The ornamental design for grooming brush for animals, as shown.

[51] **LOC (6) Cl.** **04-02**

[52] **U.S. Cl.** **D4/136; D30/158**

[58] **Field of Search** D4/100, 132-134, D4/136, 138, 114; D30/158; 15/143.1, 159.1, 160, 186-188; 132/120, 313; 119/600, 602, 603, 605, 612, 615

DESCRIPTION

FIG. 1 is a front perspective view of a grooming brush for animals showing my new design;
FIG. 2 is a rear perspective view thereof;
FIG. 3 is a side elevation view of one side thereof;
FIG. 4 is a side elevation view of one side thereof;
FIG. 5 is a rear elevation view thereof;
FIG. 6 is a side elevation view of the other side thereof;
FIG. 7 is a top plan view thereof; and,
FIG. 8 is a bottom plan view thereof.

[56] **References Cited**

U.S. PATENT DOCUMENTS

D. 322,892 1/1992 Au D4/100
D. 352,397 11/1994 Coleman D4/114

1 Claim, 4 Drawing Sheets

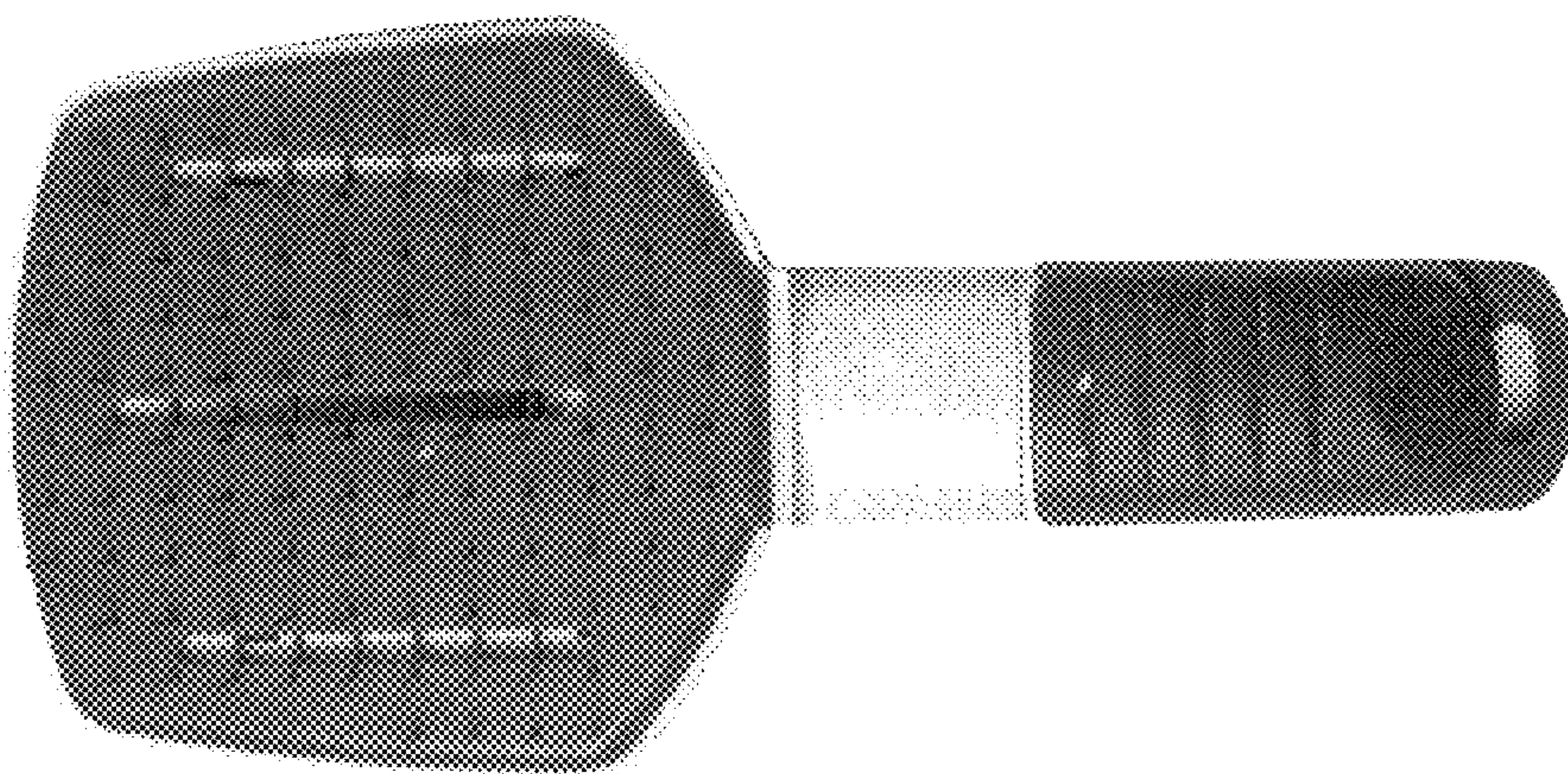
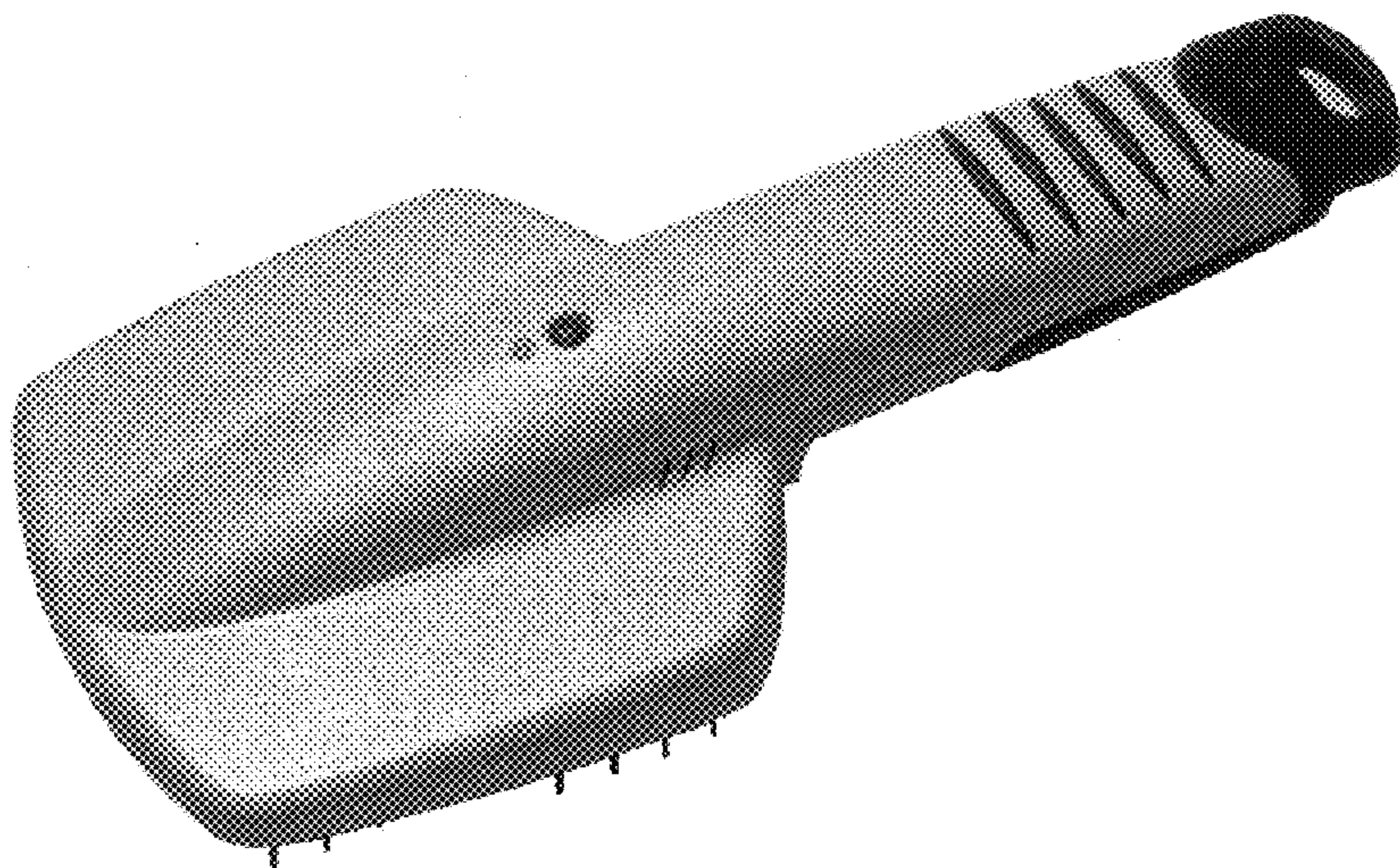


FIG. 1

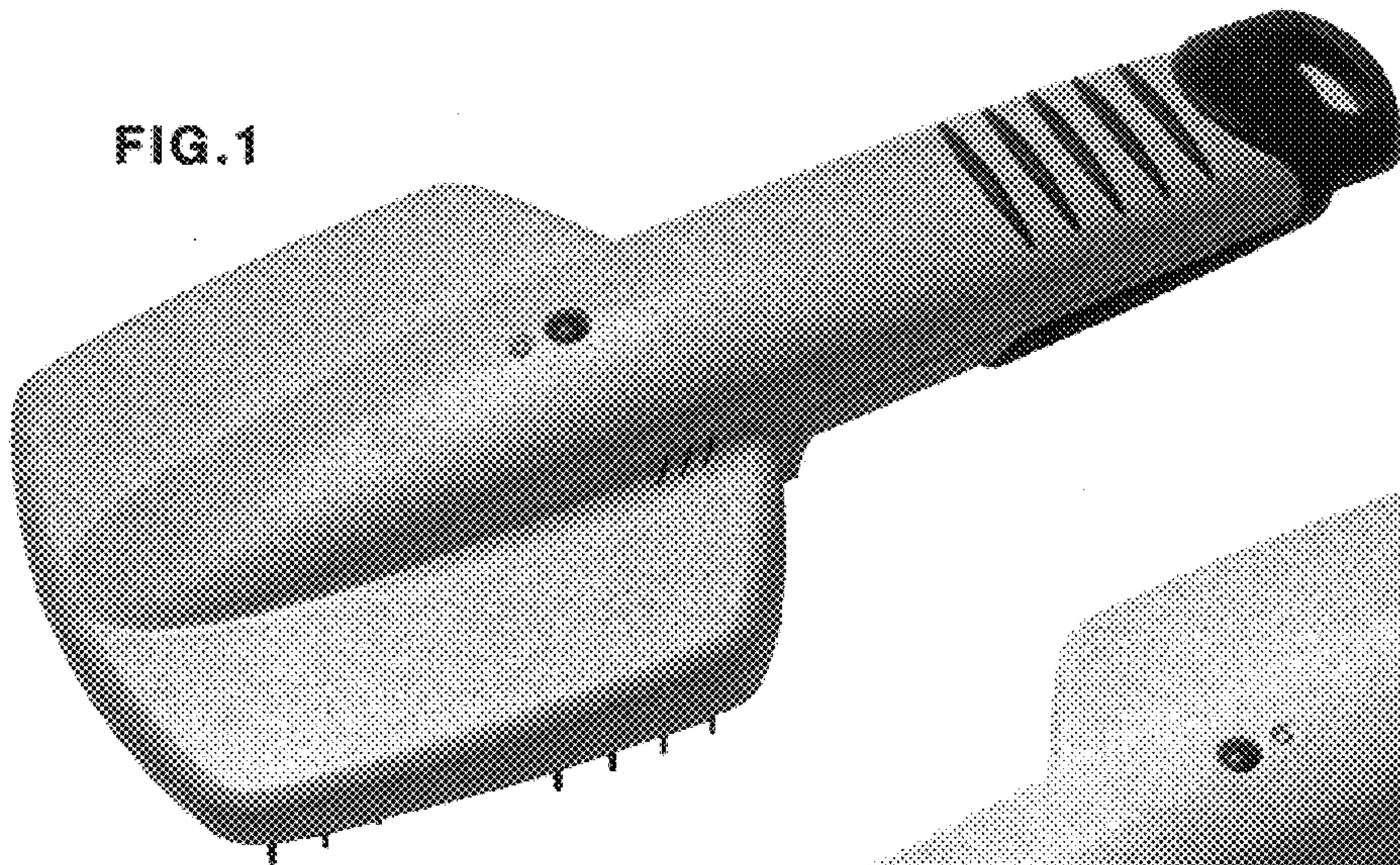
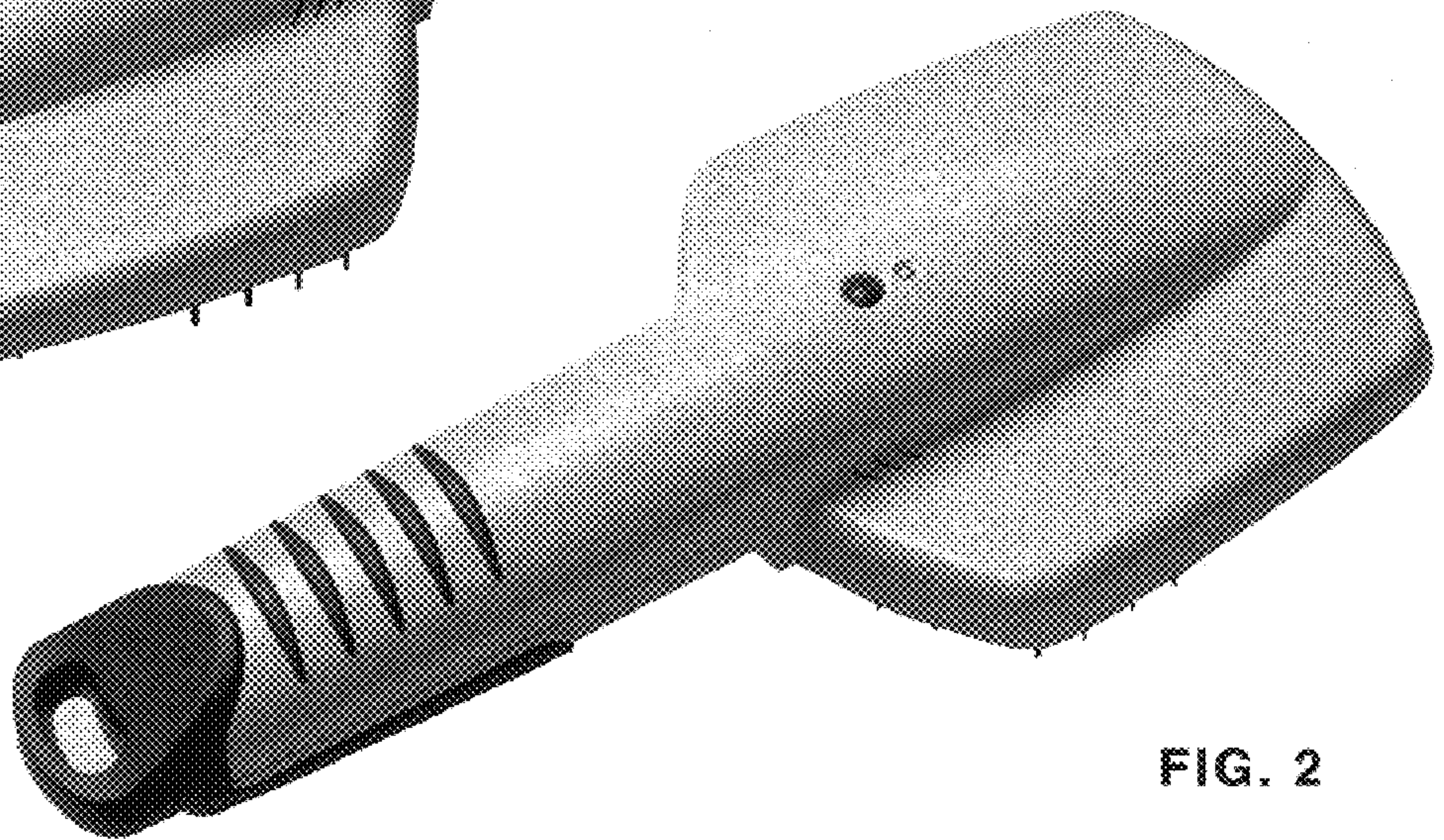


FIG. 2



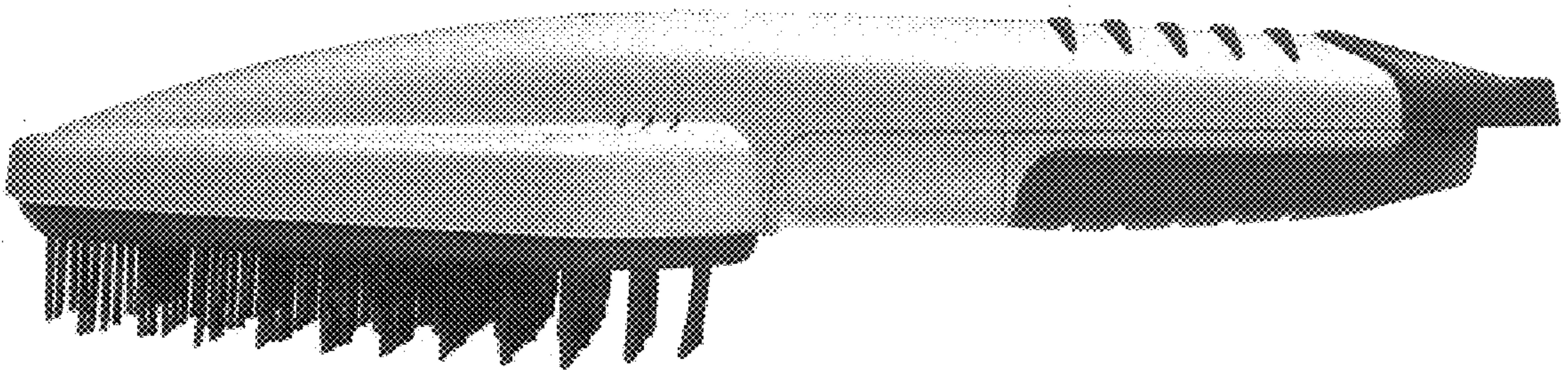


FIG. 3

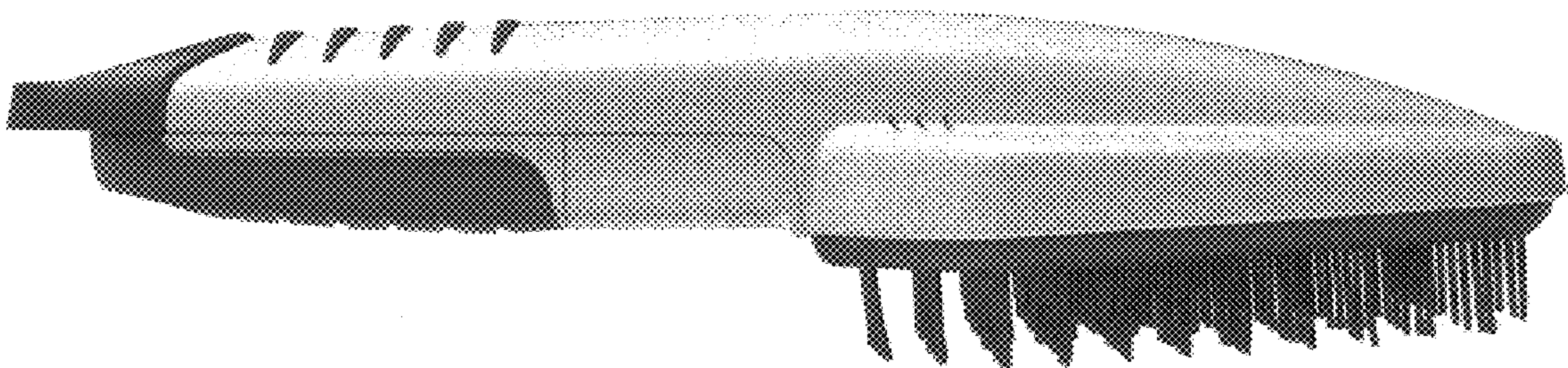


FIG. 4

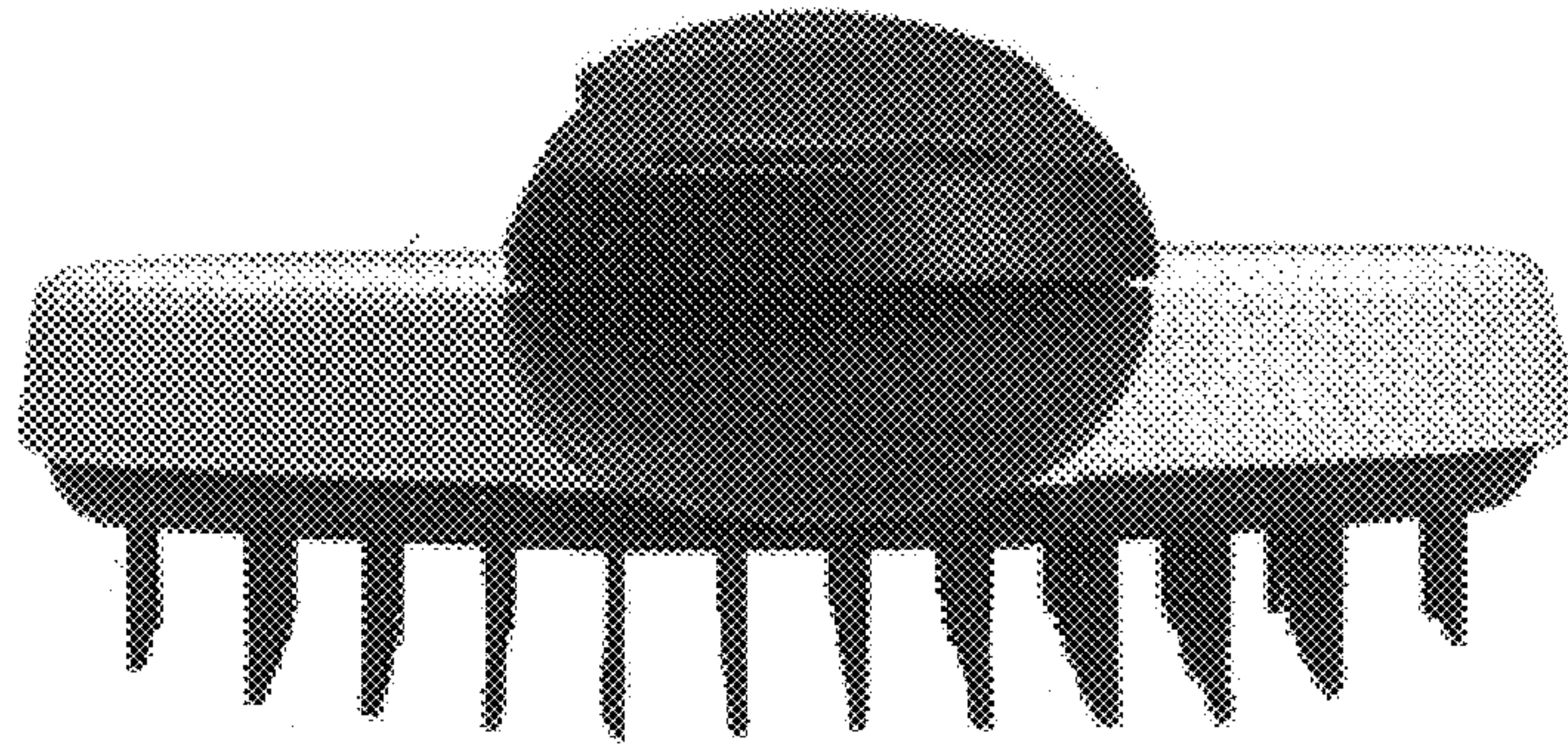


FIG. 5

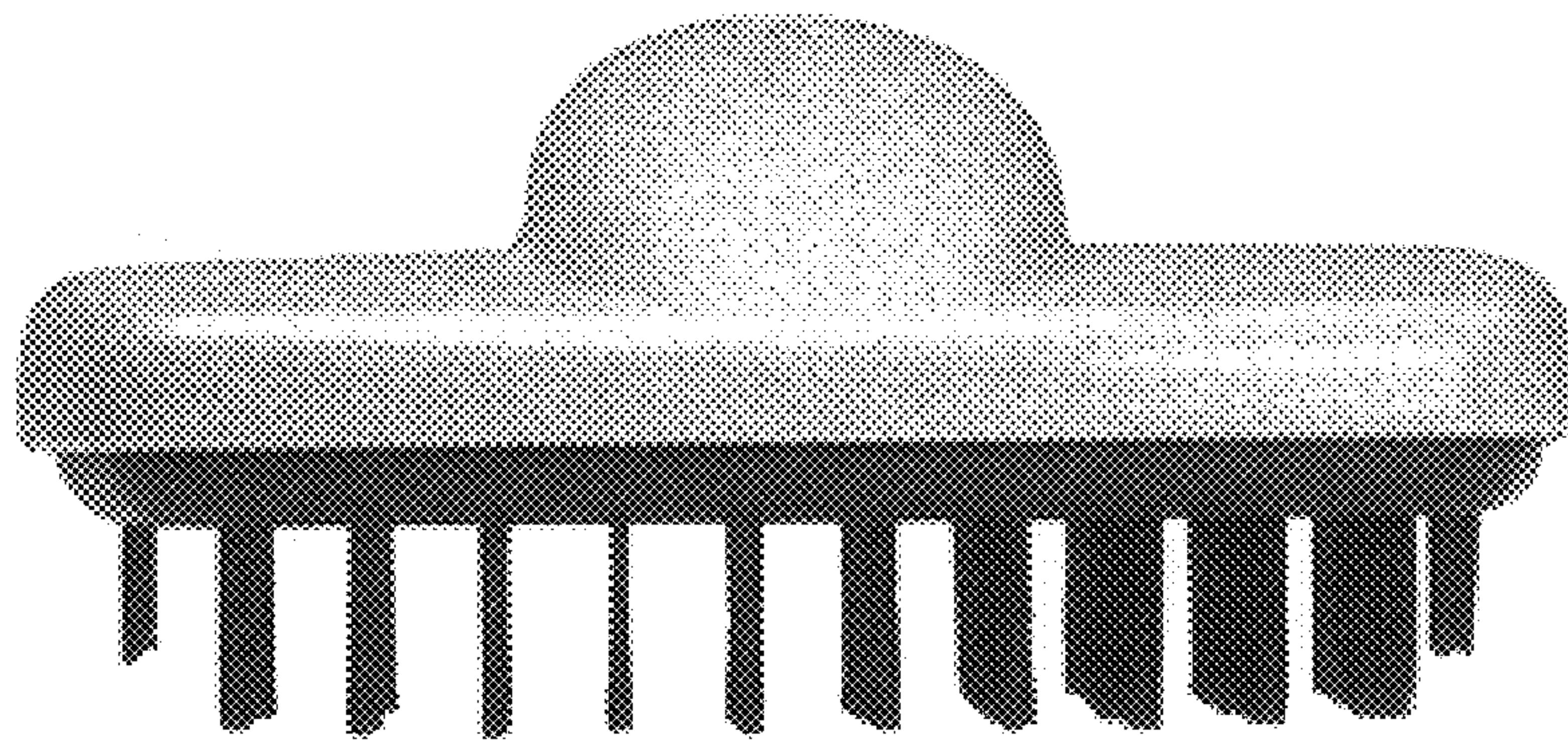


FIG. 6

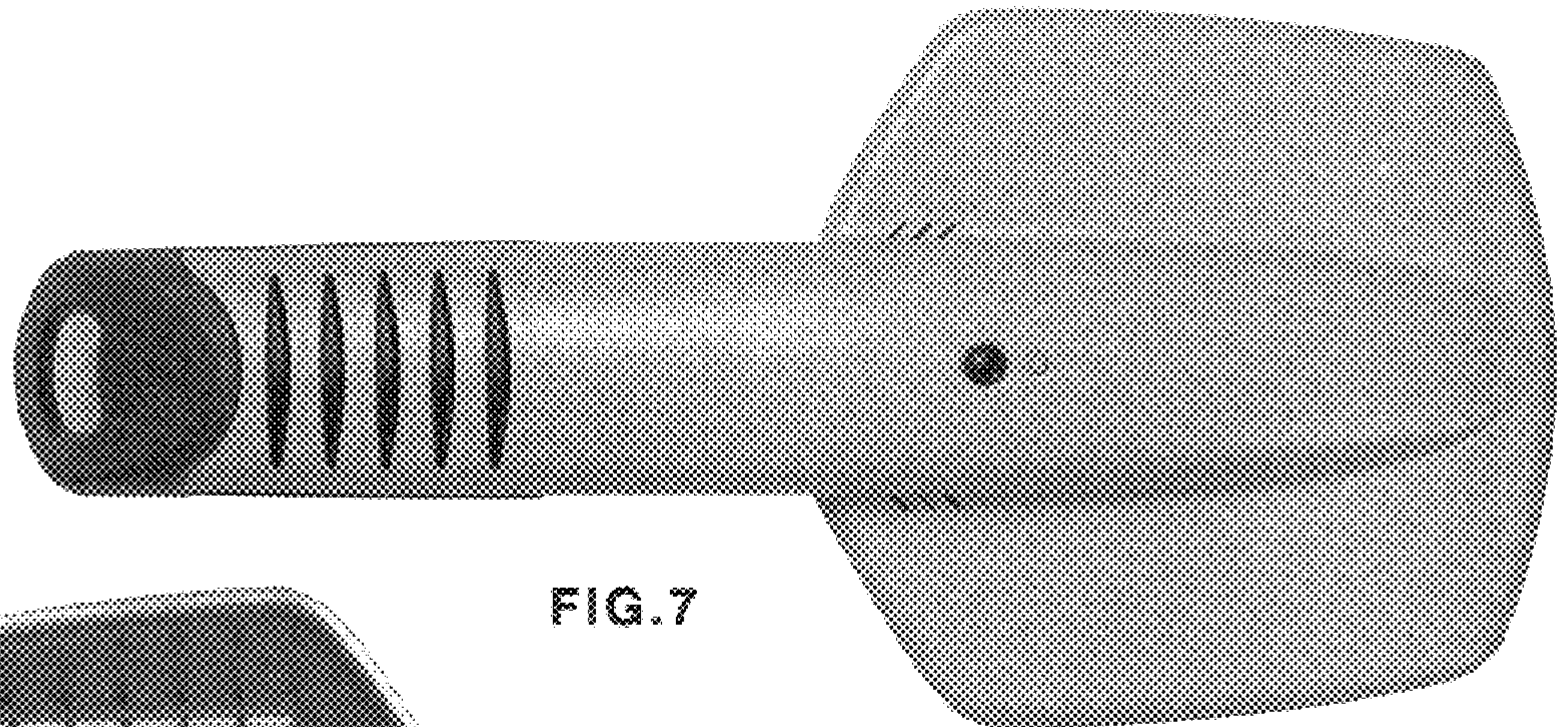


FIG. 7

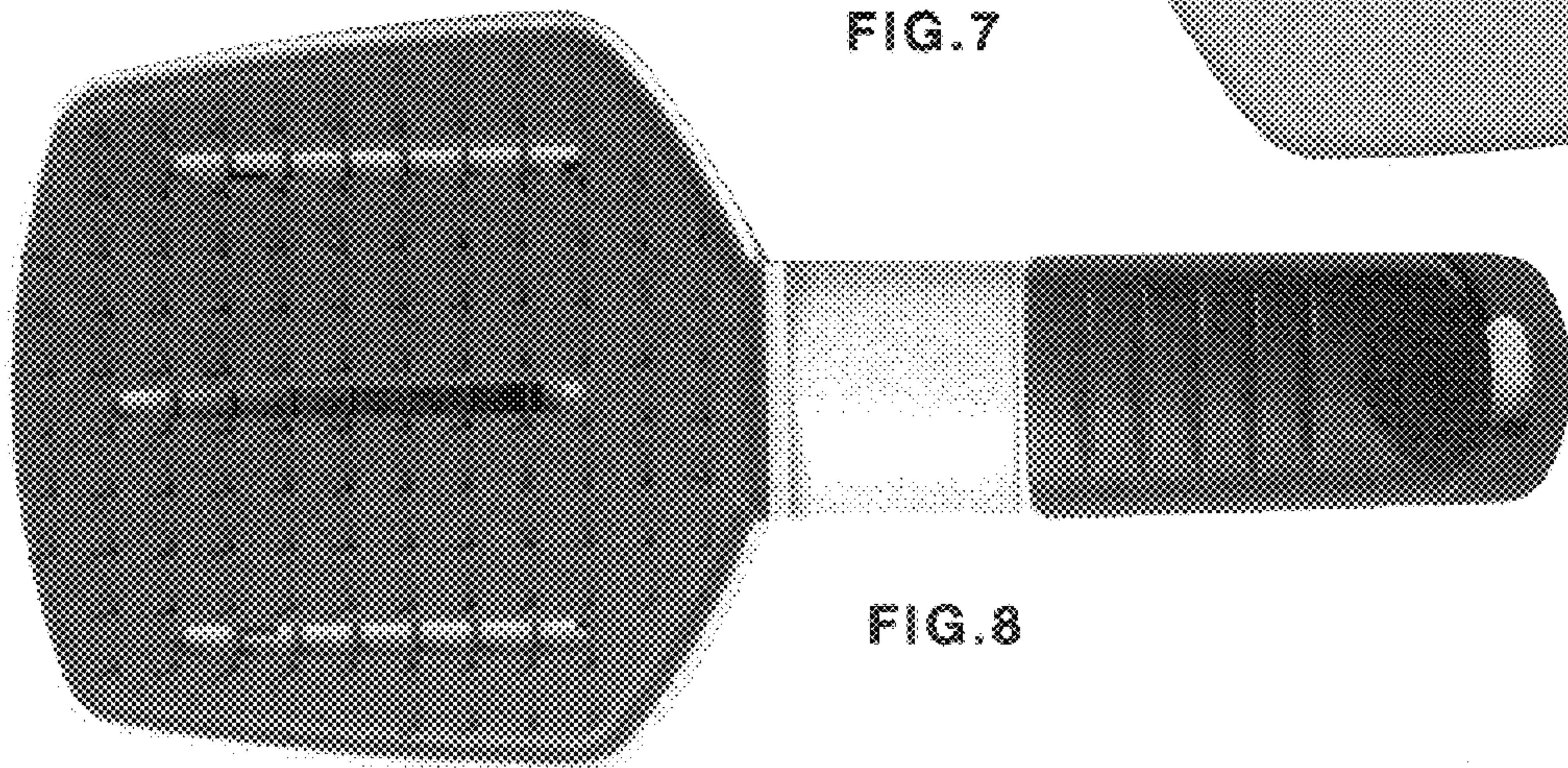


FIG. 8

UNITED STATES PATENT AND TRADEMARK OFFICE
Certificate

Patent No. D 417,551

Patented: December 14, 1999

On petition requesting issuance of a certificate for correction of inventorship pursuant to 35 U.S.C. 256, it has been found that the above identified patent, through error and without any deceptive intent, improperly sets forth the inventorship.

Accordingly, it is hereby certified that the correct inventorship of this patent is: Rene C. Pinchuk, Kensington, CA; and Spencer MacKay, Agoura Hills, CA.

Signed and Sealed this First Day of April 2003.

ALAN P. DOUGLAS
Supervisory Patent Examiner
Art Unit 2911