



US00D417550S

# United States Patent [19]

[11] Patent Number: **Des. 417,550**

Lu

[45] Date of Patent: **\*\* Dec. 14, 1999**

[54] **GRILL BRUSH**

5,479,673 1/1996 Carton ..... 15/105 X

[76] Inventor: **Mark Lu**, 4950 Candacraig Rd., Alpharetta, Ga. 30022

*Primary Examiner*—Alan P. Douglas  
*Assistant Examiner*—Lavone D. Tabor  
*Attorney, Agent, or Firm*—James B. Middleton; Walter A. Rodgers

[\*\*] Term: **14 Years**

[21] Appl. No.: **29/097,325**

[57] **CLAIM**

[22] Filed: **Dec. 4, 1998**

The ornamental design for a grill brush, as shown and described.

[51] **LOC (6) Cl.** ..... **04-01**

**DESCRIPTION**

[52] **U.S. Cl.** ..... **D4/120; D32/42**

[58] **Field of Search** ..... D4/116, 119, 120, D4/130, 132, 134; D28/63; D32/40, 42, 51; 15/105, 107, 114, 115, 159.1, 160

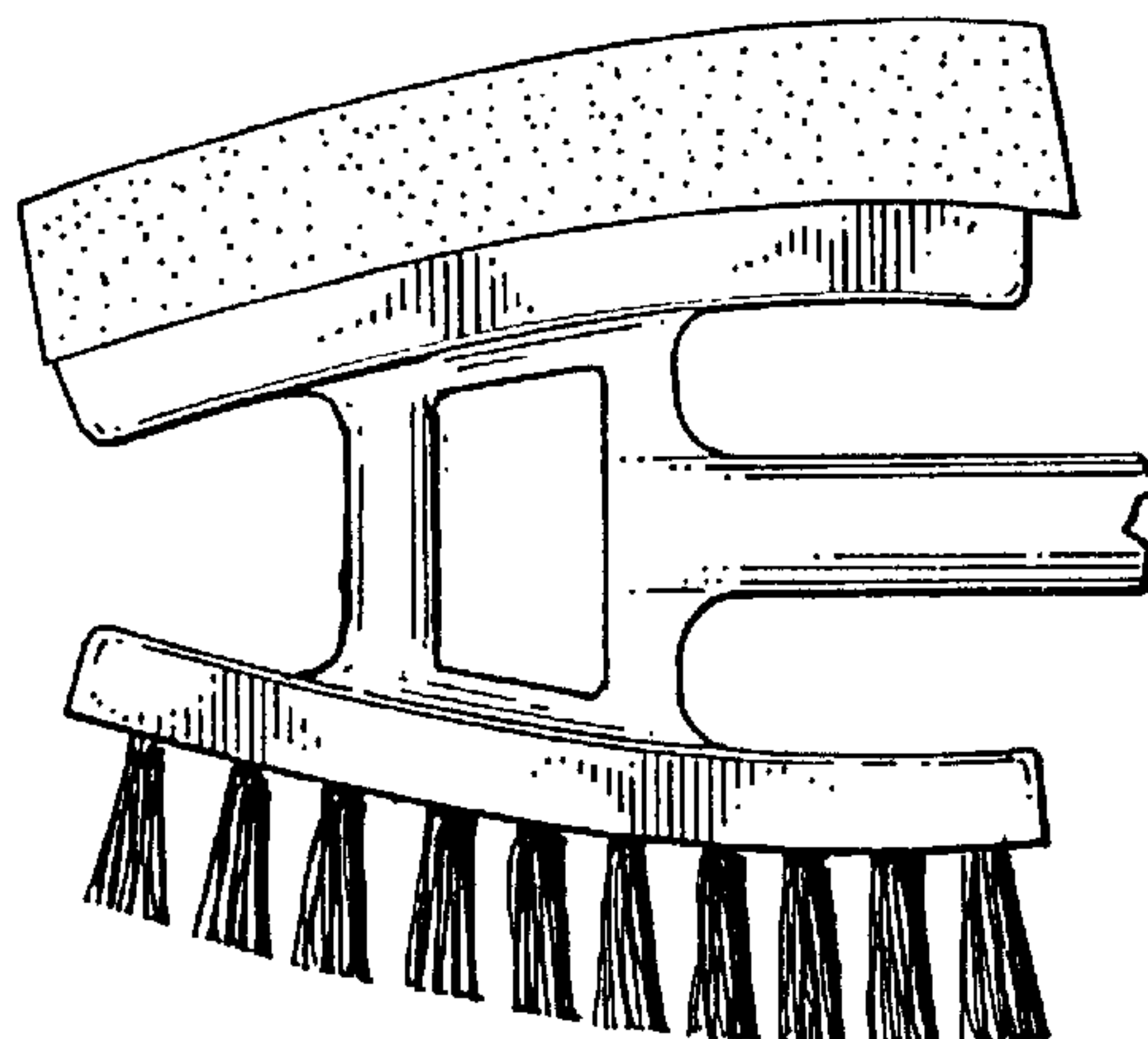
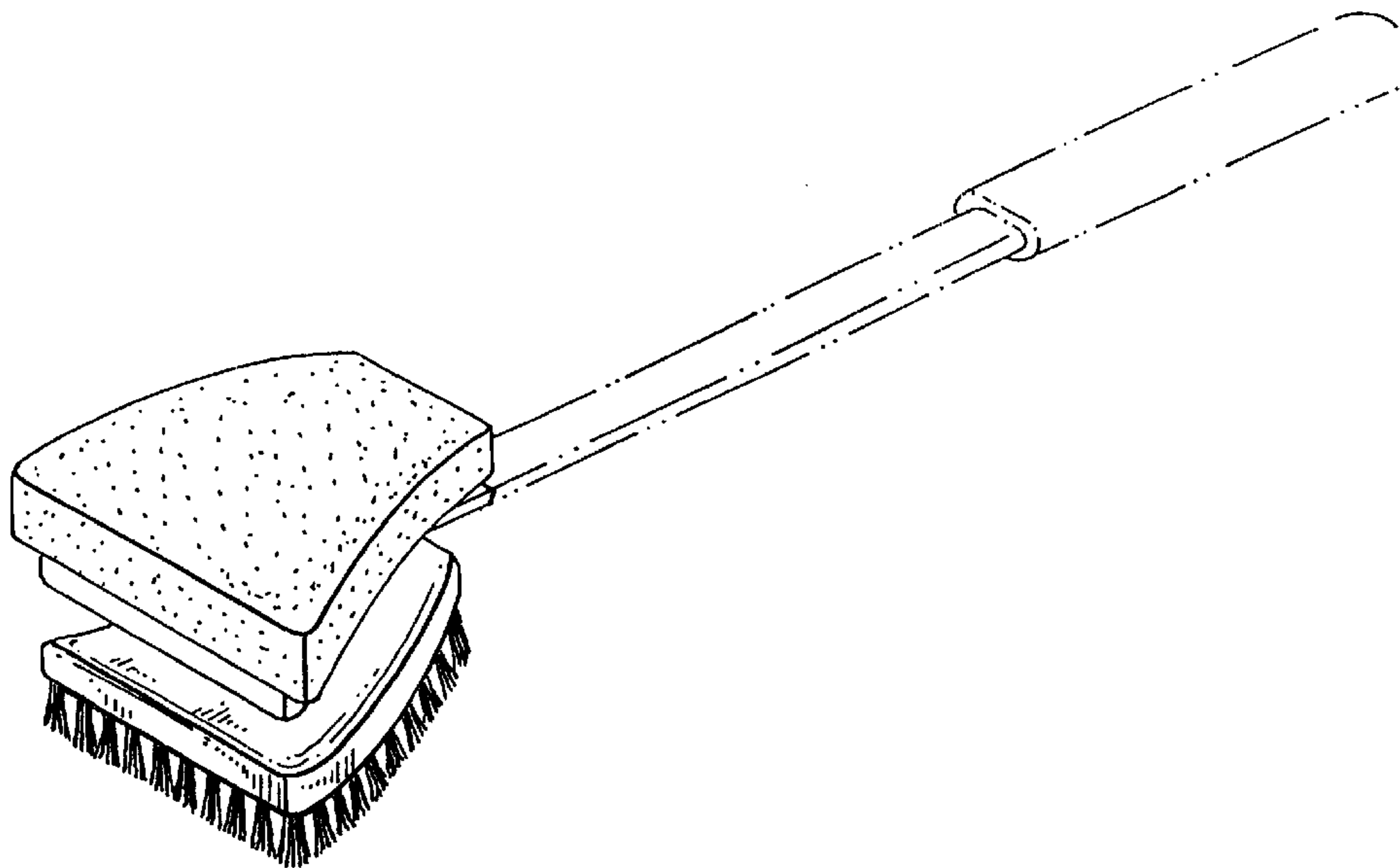
FIG. 1 is perspective view showing the top, front and right side of a grill brush embodying my new design, the portion in broken lines forming no part of the inventive design; FIG. 2 is an enlarged right side elevational view thereof, the left side being a mirror image thereof; FIG. 3 is a rear elevational view thereof; FIG. 4 is an enlarged, front elevational view thereof; and, FIG. 5 is a bottom plan view thereof.

[56] **References Cited**

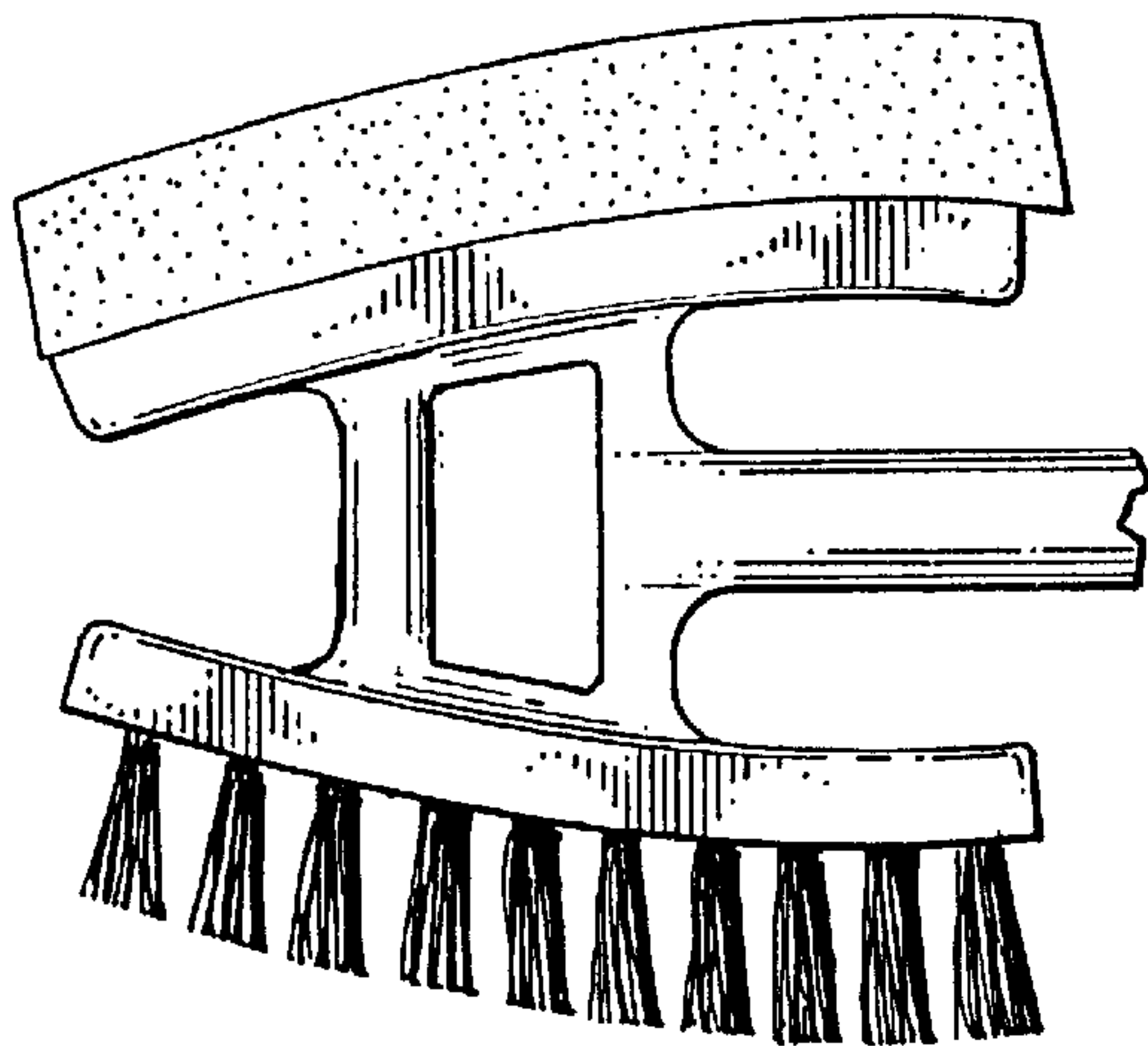
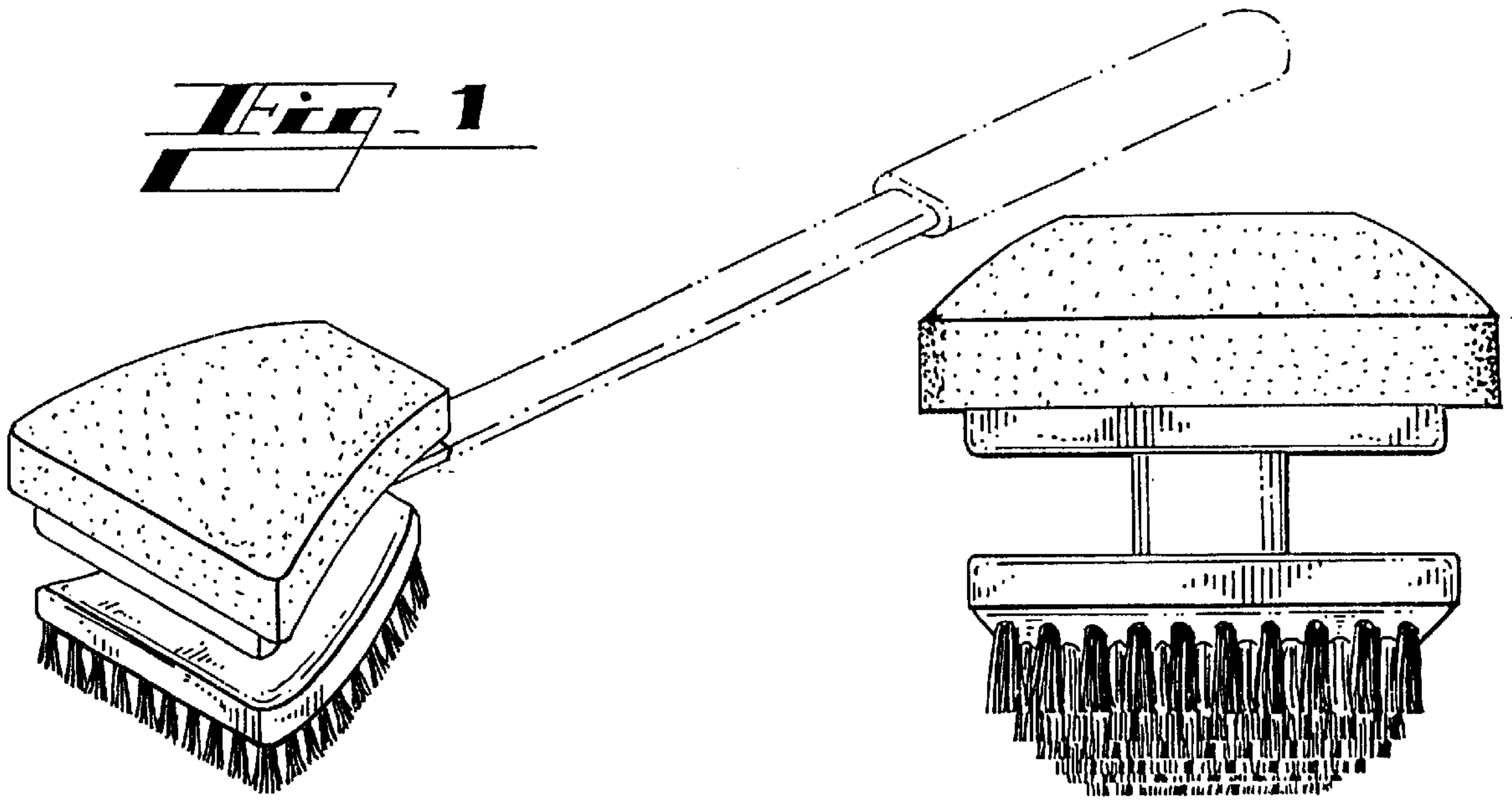
**U.S. PATENT DOCUMENTS**

D. 374,557 10/1996 Whitaker ..... D4/120  
D. 400,328 10/1998 Zemel ..... D32/42 X  
1,989,921 2/1935 Goddard ..... 15/114 X

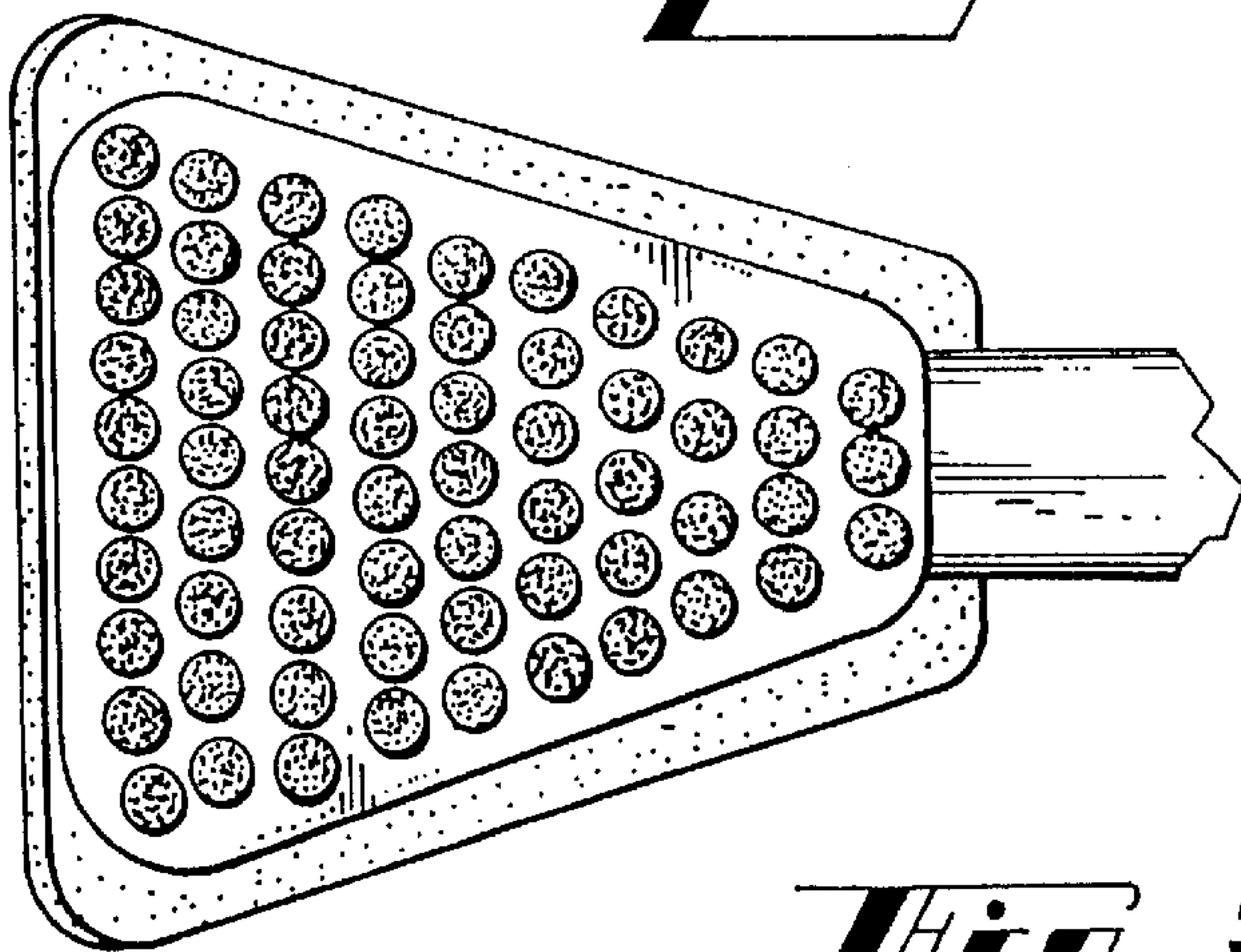
**1 Claim, 1 Drawing Sheet**



*Fig. 1*

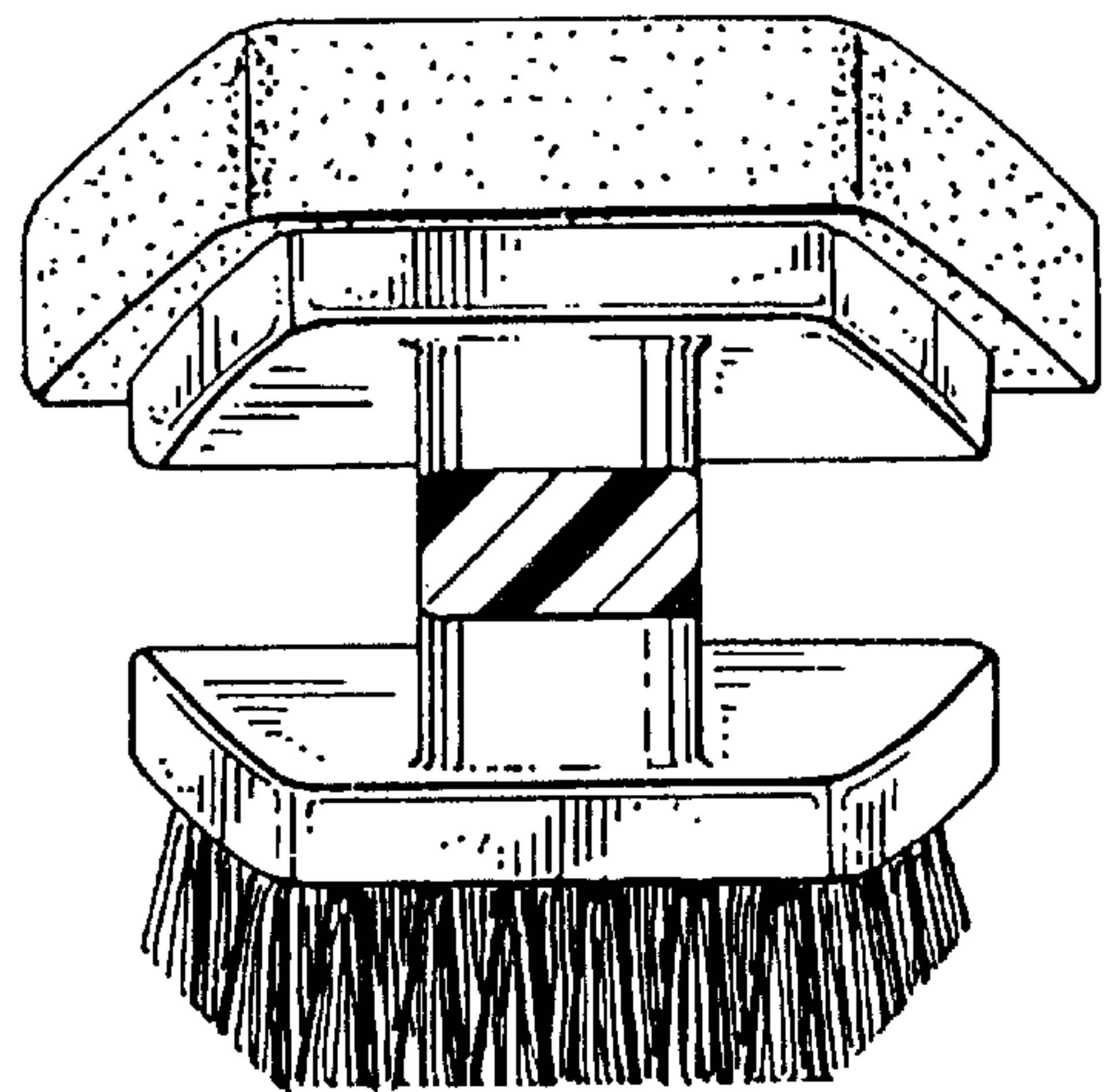


*Fig. 2*



*Fig. 3*

*Fig. 4*



*Fig. 5*

