



US00D417548S

# United States Patent [19]

[11] **Patent Number: Des. 417,548**

**Craven et al.**

[45] **Date of Patent: \*\* Dec. 14, 1999**

[54] **SPORTING GOODS CONTAINER**

[57] **CLAIM**

[76] Inventors: **James Grant Craven**, 721 N. Third;  
**Daniel Sherman Gray**, 600 Poppy  
Ave., both of Patterson, Calif. 95363

The ornamental design for a sporting goods container, as shown and described.

[\*\*] Term: **14 Years**

**DESCRIPTION**

[21] Appl. No.: **29/091,787**

FIG. 1 is a perspective view of the sporting goods container showing a first embodiment of our new design;

[22] Filed: **Aug. 4, 1998**

FIG. 2 is a top plan view thereof;

[51] **LOC (6) Cl.** ..... **03-01**

FIG. 3 is a bottom plan view thereof;

[52] **U.S. Cl.** ..... **D3/254; D3/905**

FIG. 4 is a left side elevational view thereof;

[58] **Field of Search** ..... D3/254, 260, 283,  
D3/284, 286, 295, 296, 310, 901, 904,  
905; D6/440, 552; 206/315.1, 315.11

FIG. 5 is a right side elevational view thereof;

FIG. 6 is a front elevational view thereof;

FIG. 7 is a rear elevational view thereof;

FIG. 8 is a perspective view of the sporting goods container showing a second embodiment of our new design;

FIG. 9 is a top plan view of said second embodiment;

[56] **References Cited**

**U.S. PATENT DOCUMENTS**

D. 212,661	11/1968	Gigliuto	.....	D3/296
D. 258,175	2/1981	Hazeltine	.....	D3/284
D. 278,397	4/1985	Frankenreiter	.....	D6/440
D. 370,342	6/1996	Gwyther	.....	D3/254
5,704,158	1/1998	Whiteaker	.....	206/315.11 X

FIG. 10 is a bottom plan view of said second embodiment;

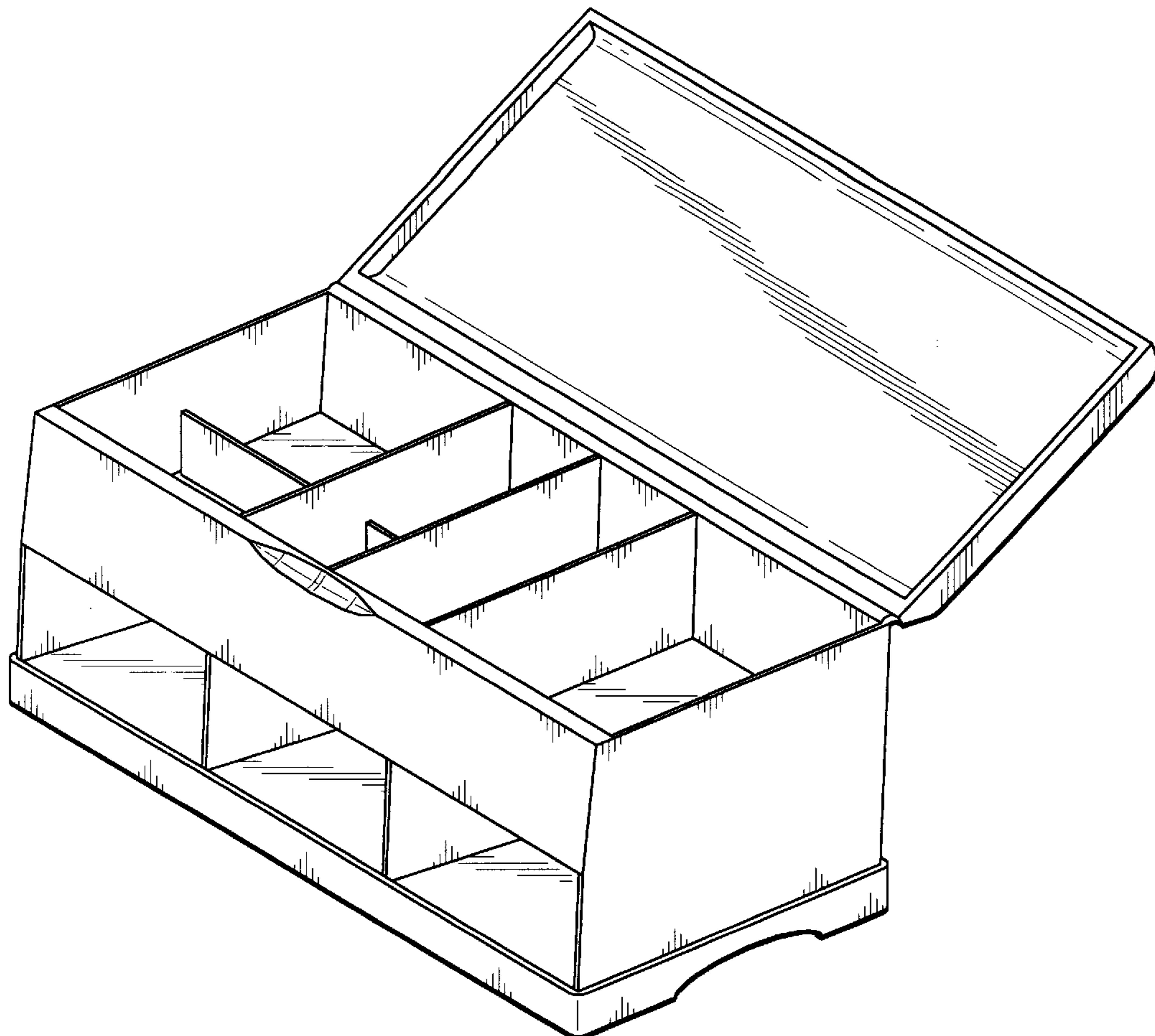
FIG. 11 is a left side elevational view of said second embodiment;

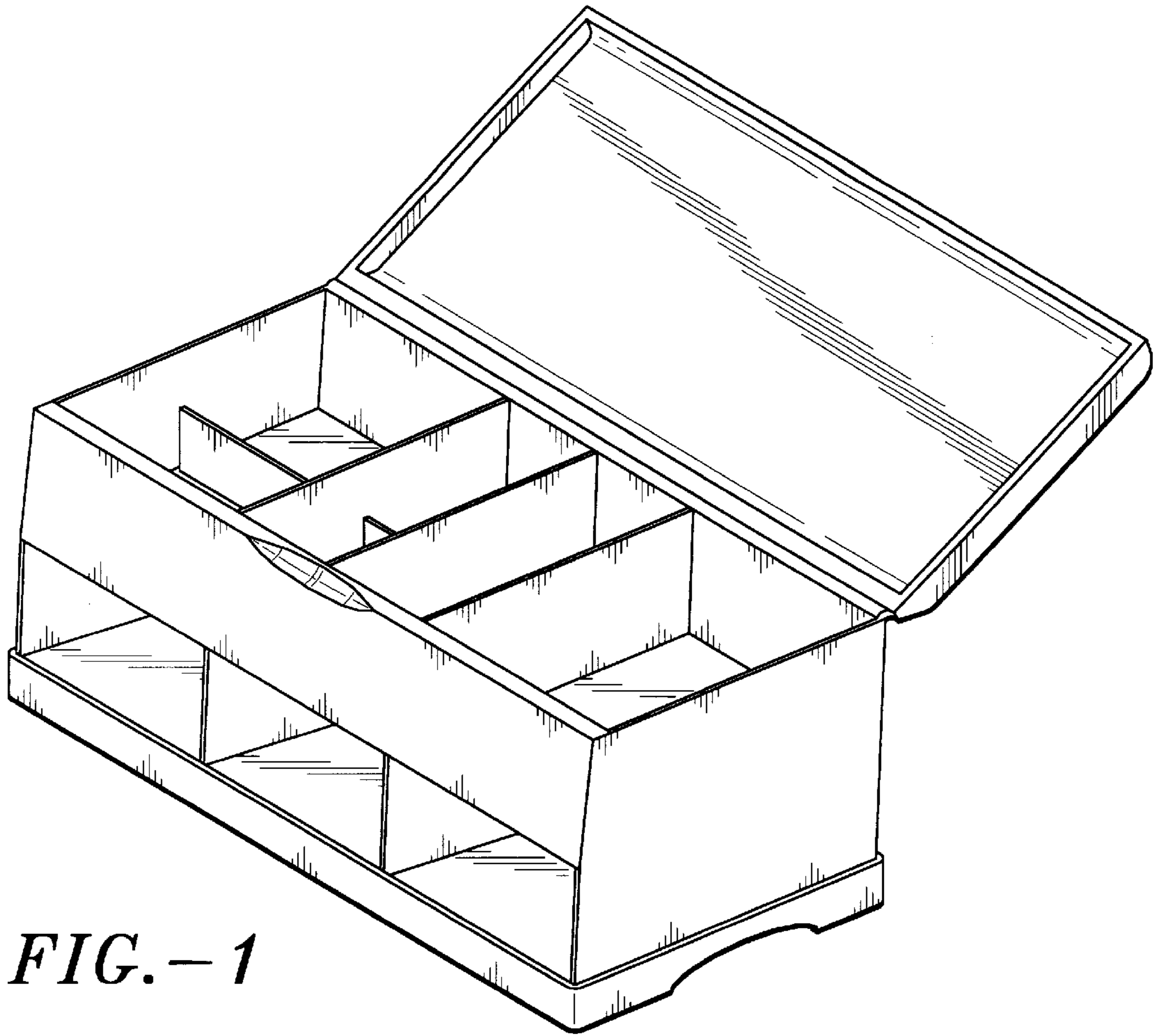
FIG. 12 is a right side elevational view of said second embodiment;

FIG. 13 is a front elevational view of said second embodiment; and,  
FIG. 14 is a rear elevational view of said second embodiment.

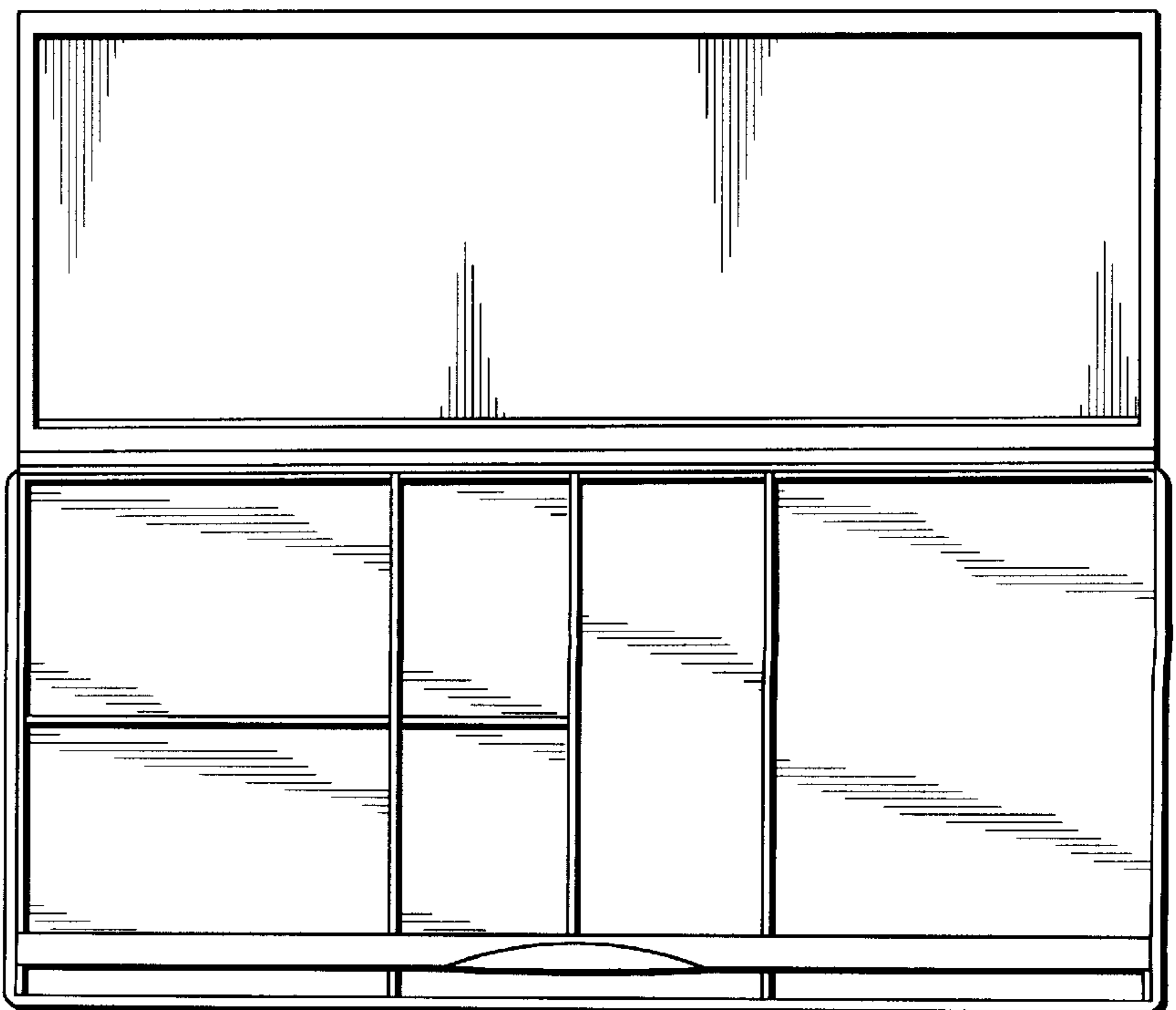
*Primary Examiner*—Louis S. Zarfaz  
*Assistant Examiner*—Catherine R. Oliver  
*Attorney, Agent, or Firm*—Francis Law Group

**1 Claim, 5 Drawing Sheets**

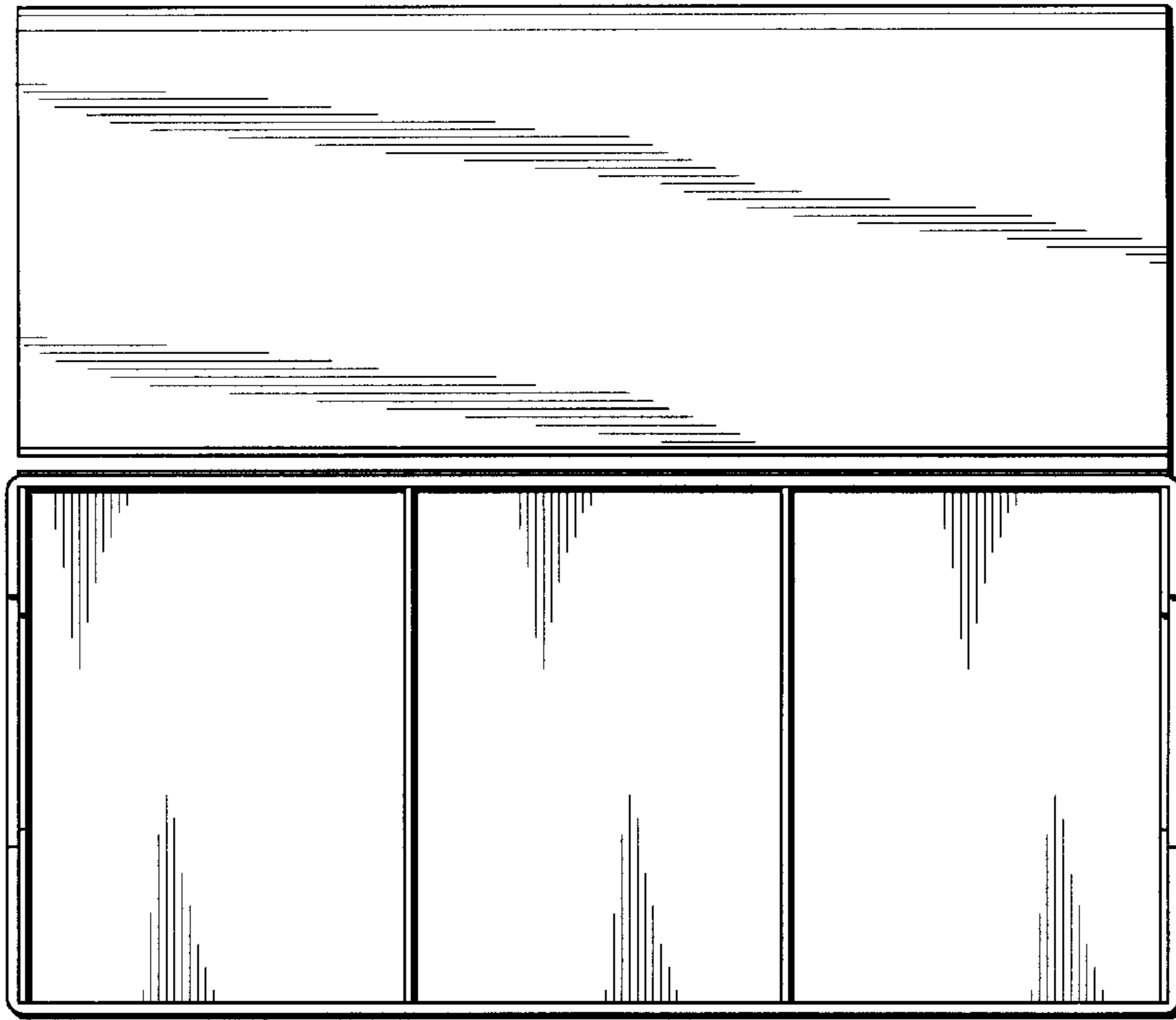




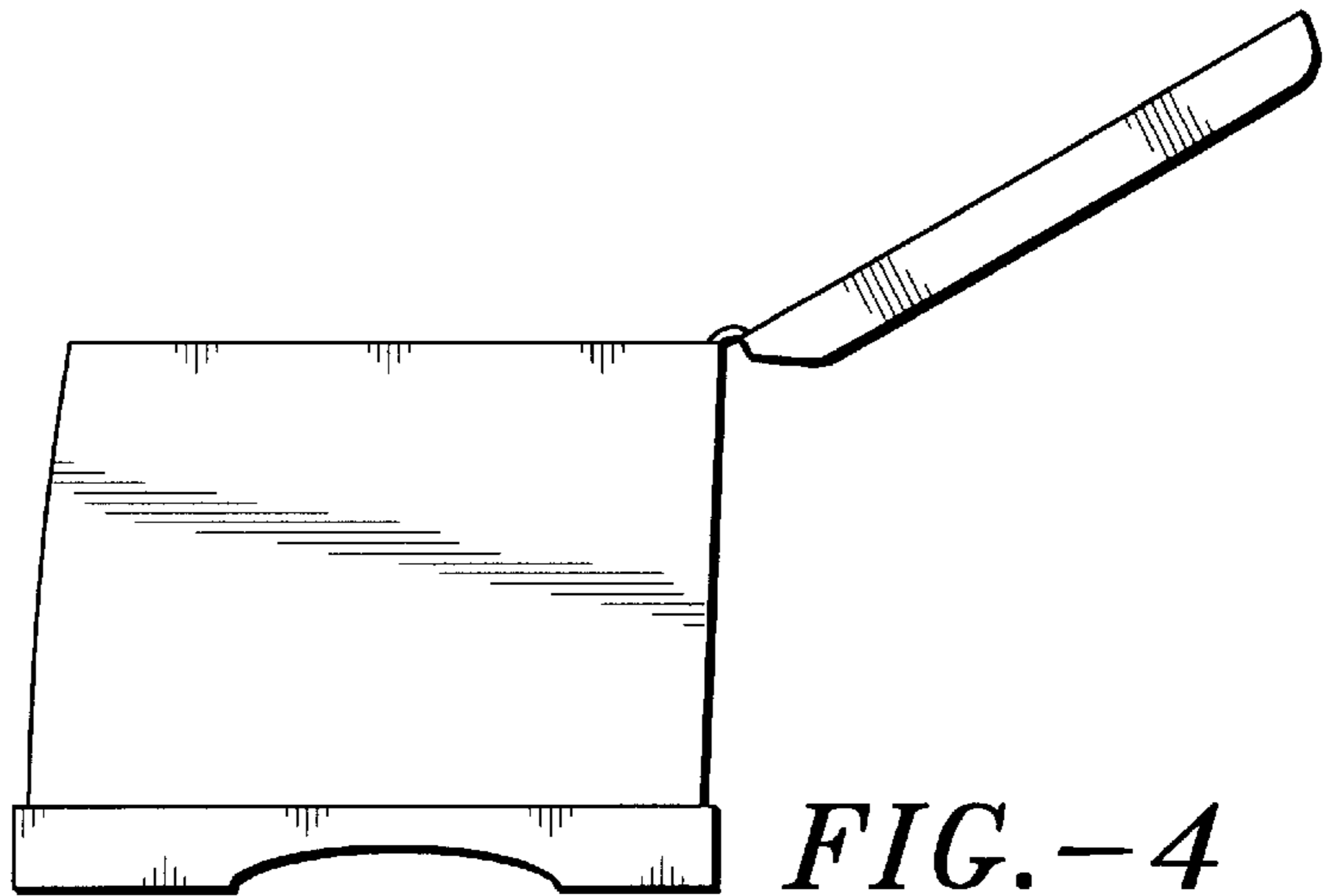
*FIG. - 1*



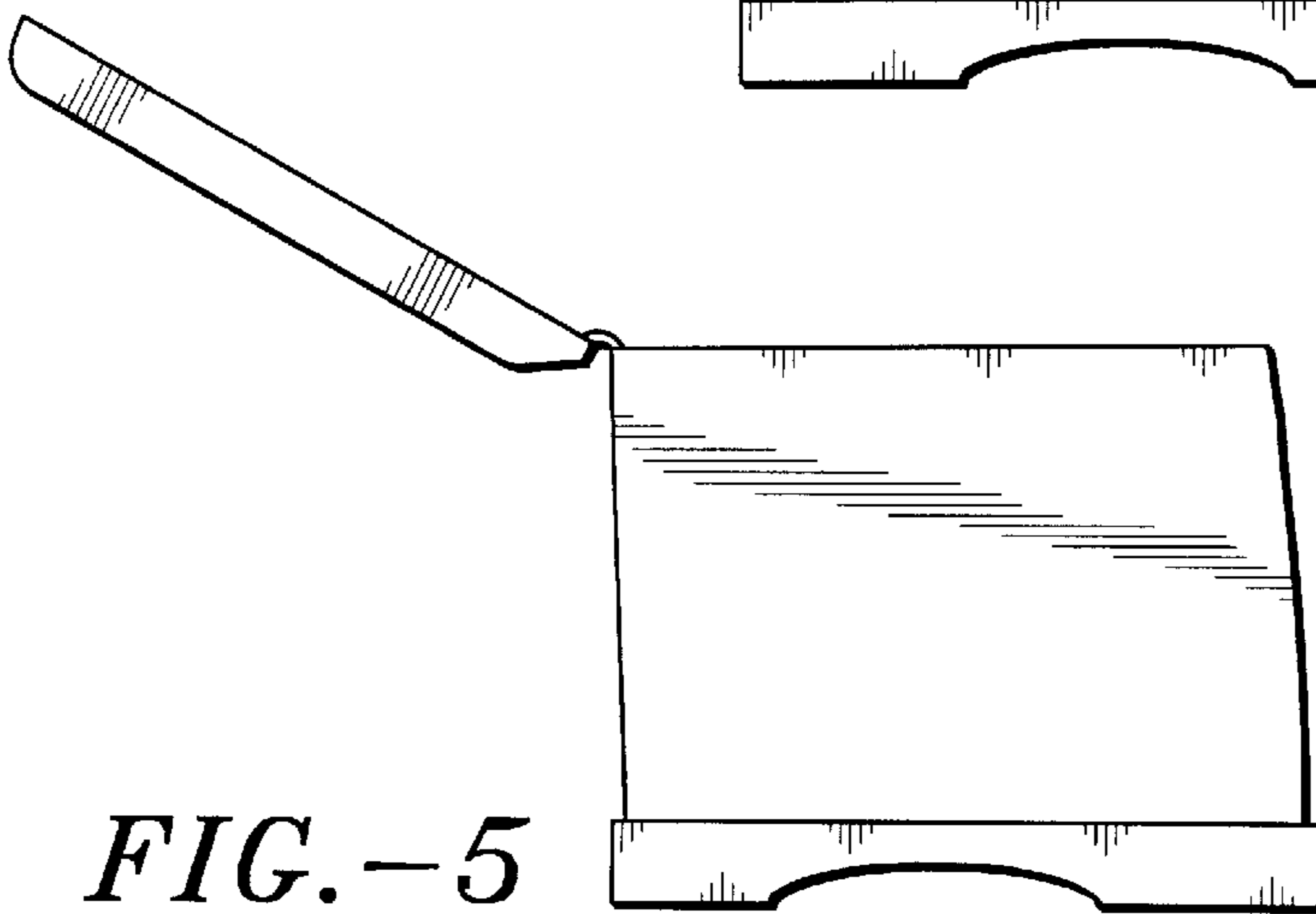
*FIG. - 2*



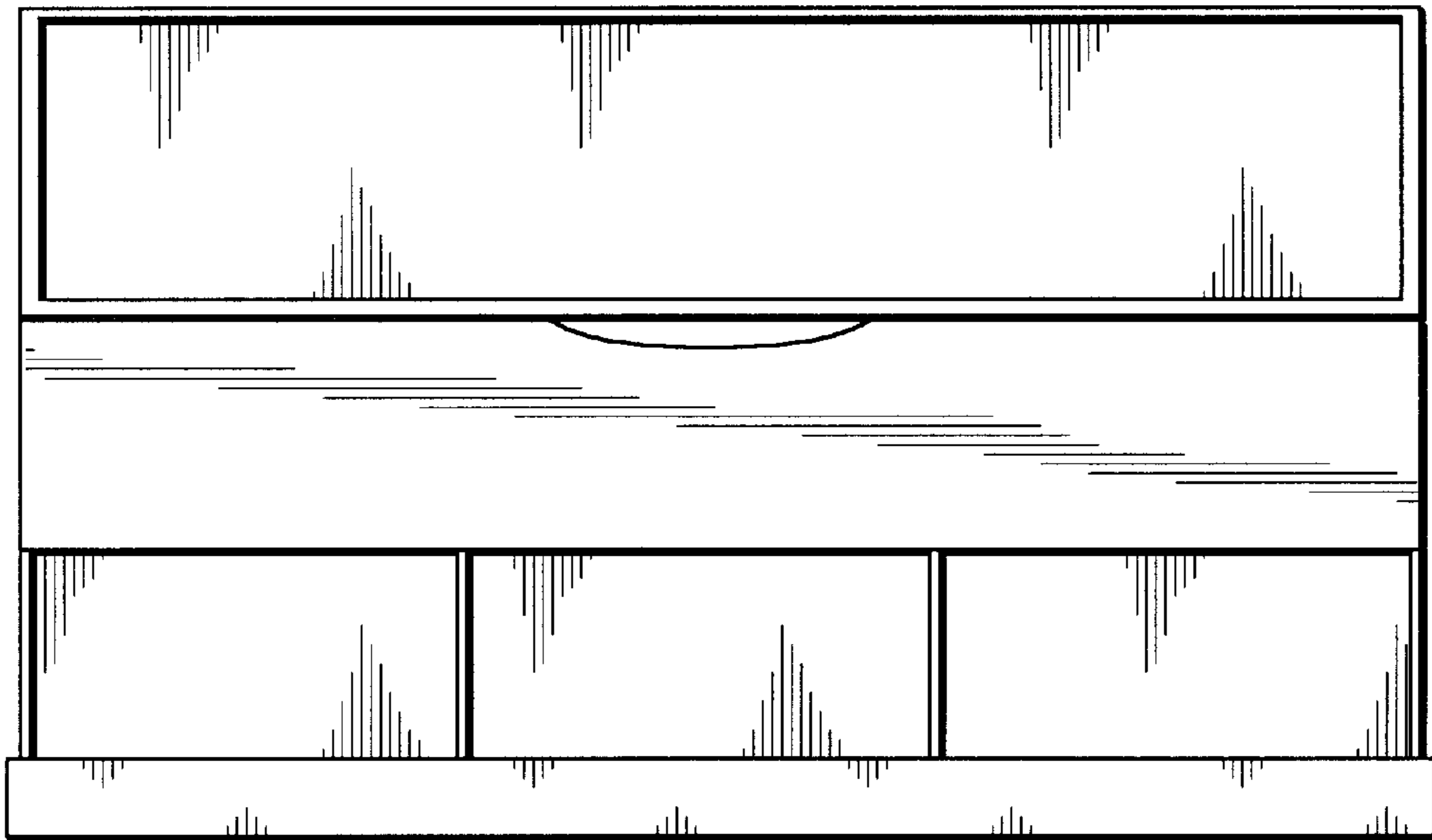
*FIG.-3*



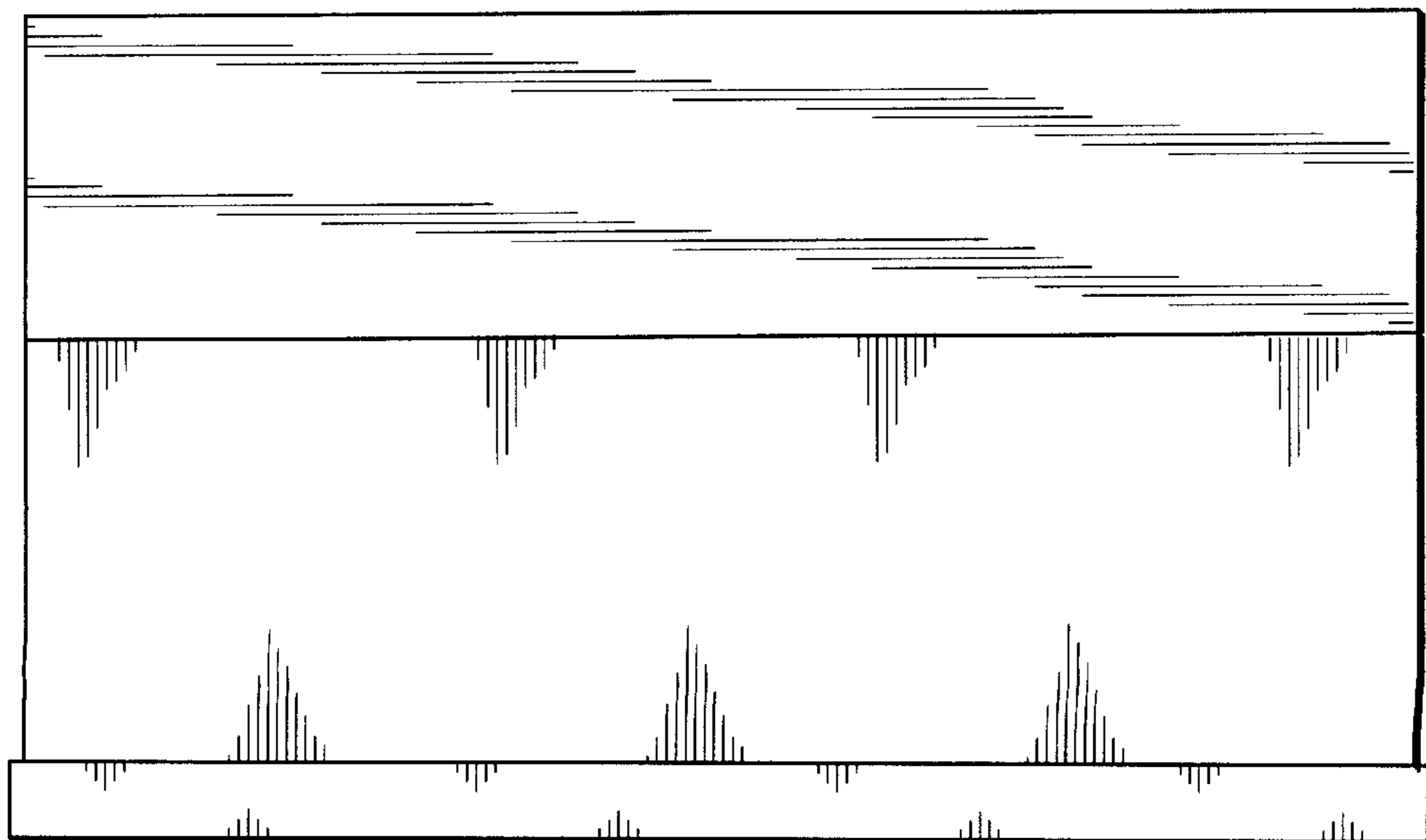
*FIG.-4*



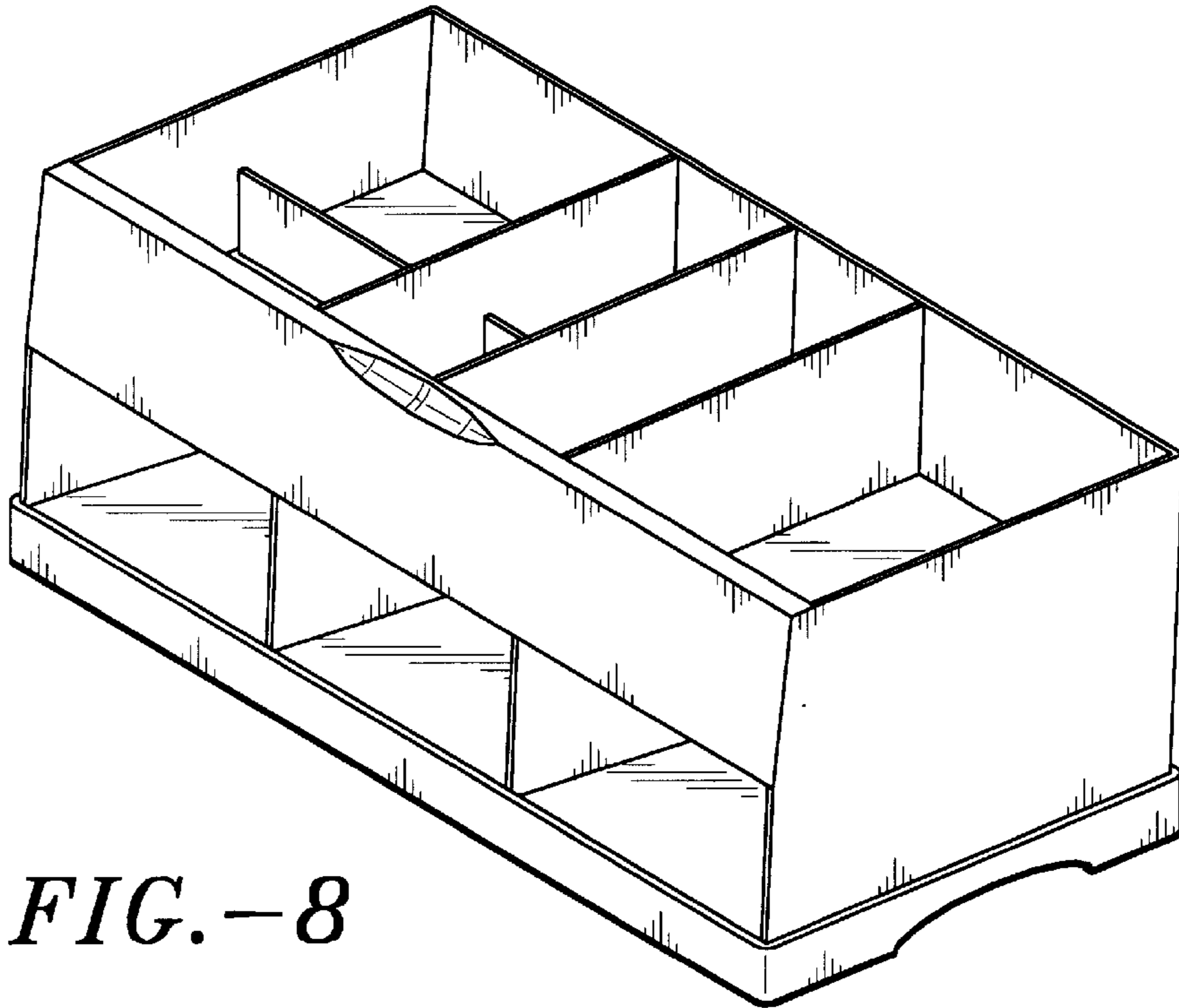
*FIG.-5*



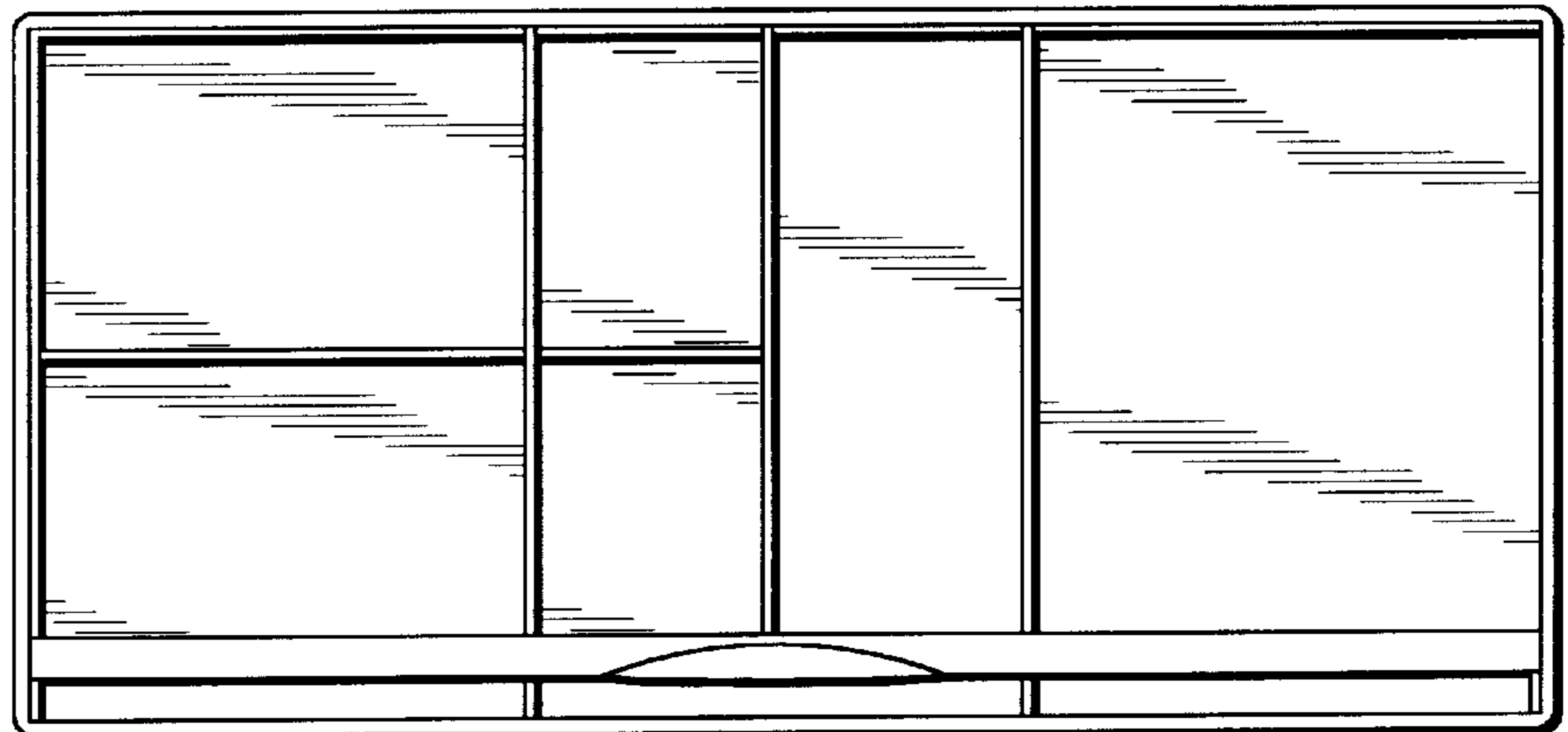
*FIG. -6*



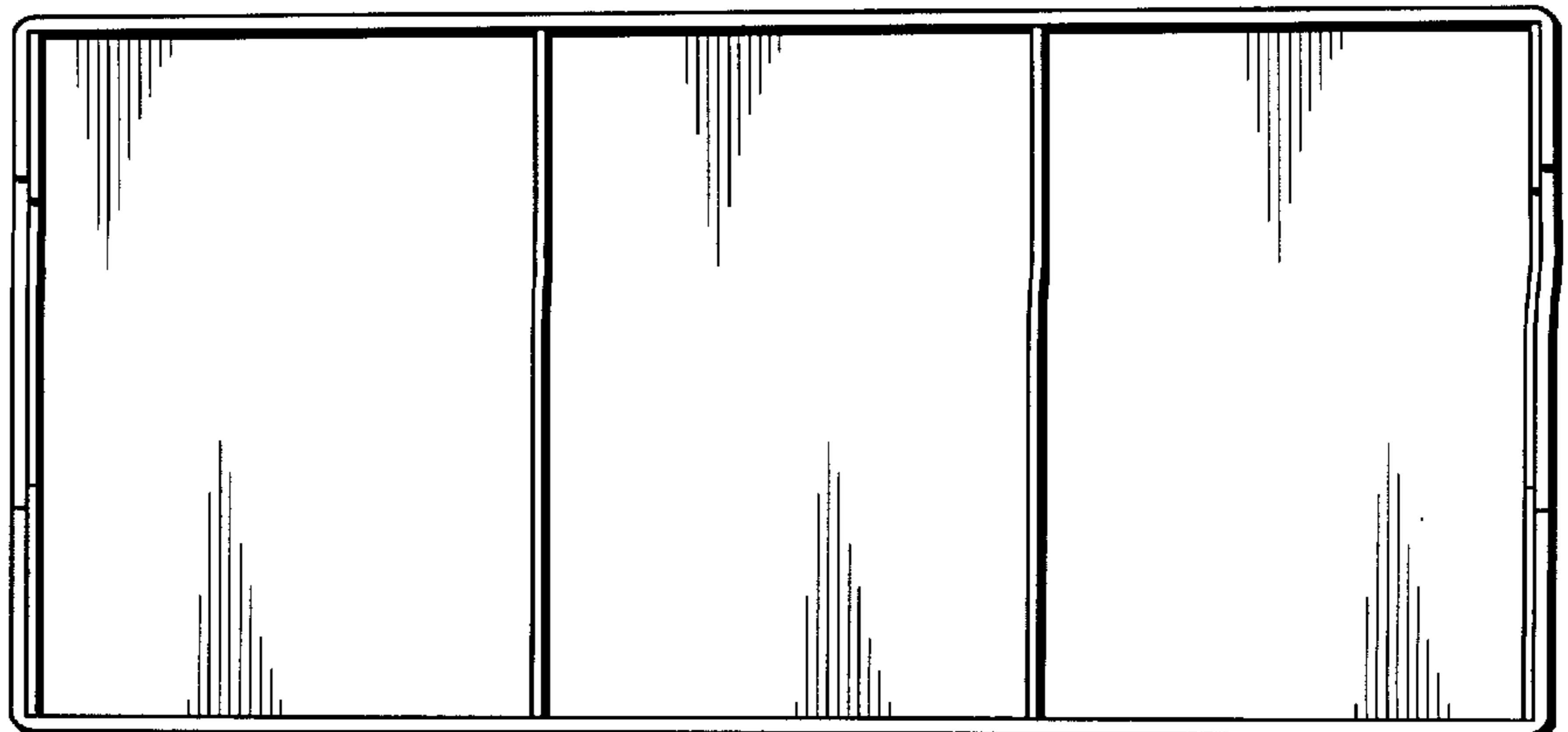
*FIG. -7*



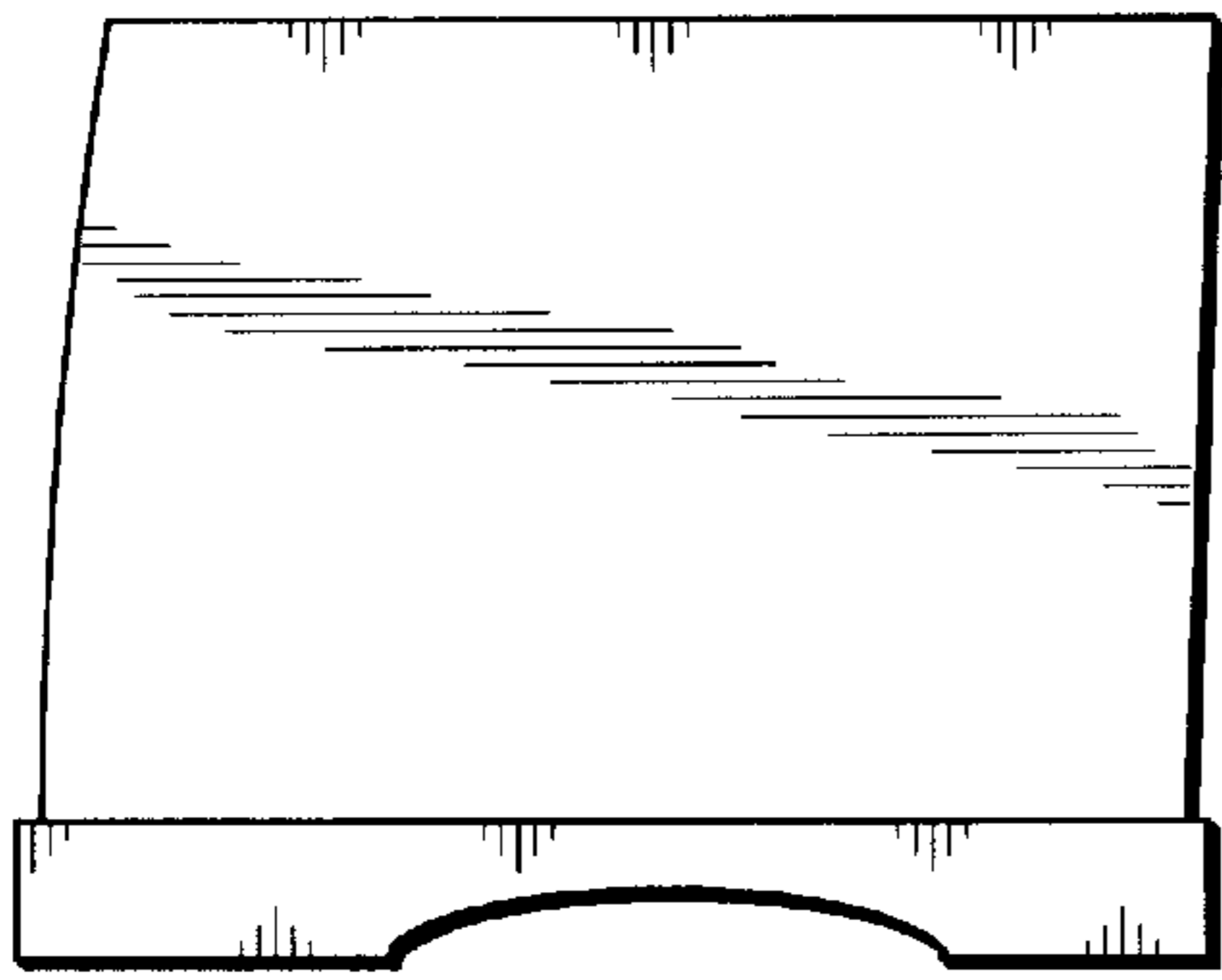
*FIG. -8*



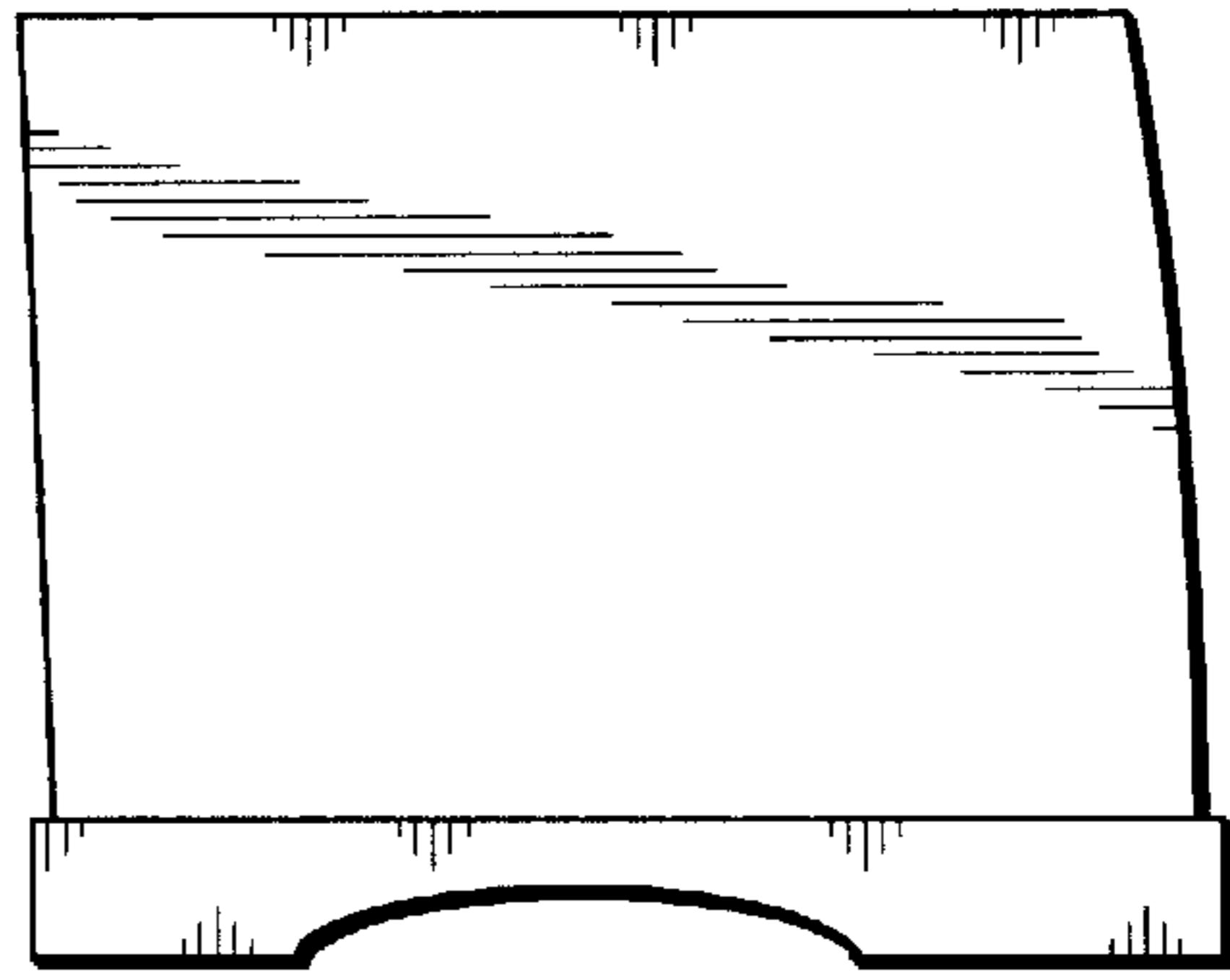
*FIG. -9*



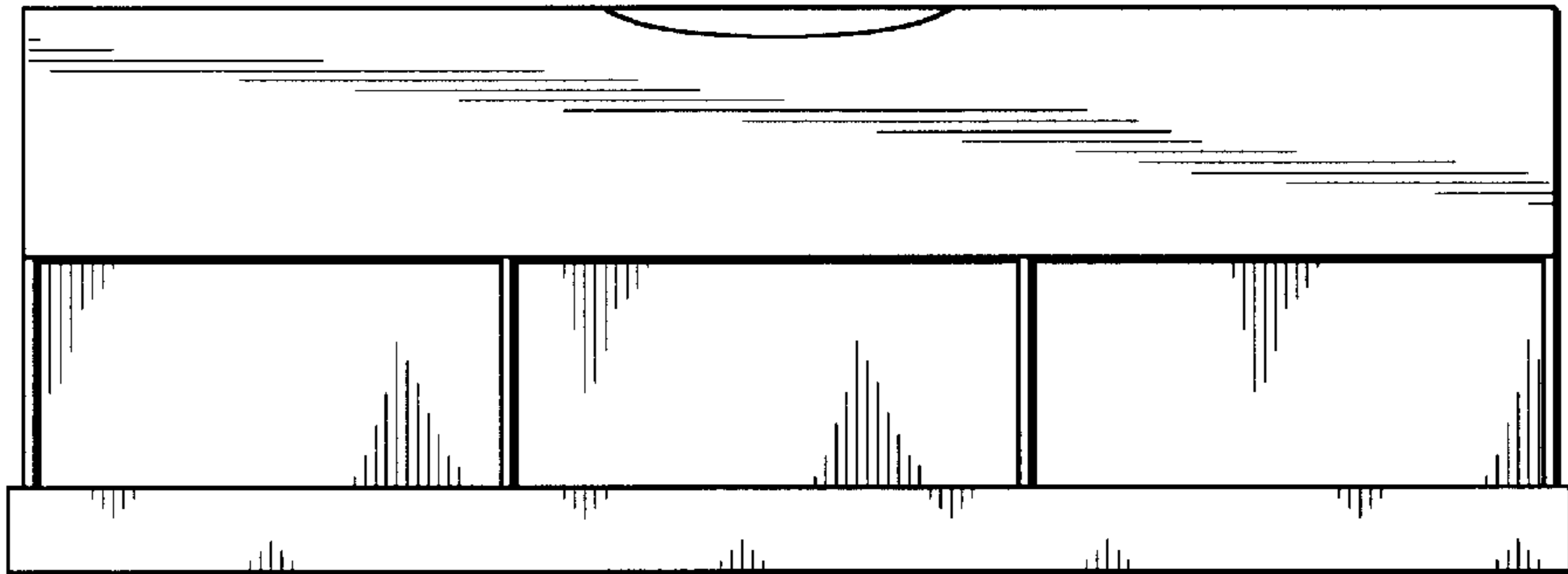
*FIG. -10*



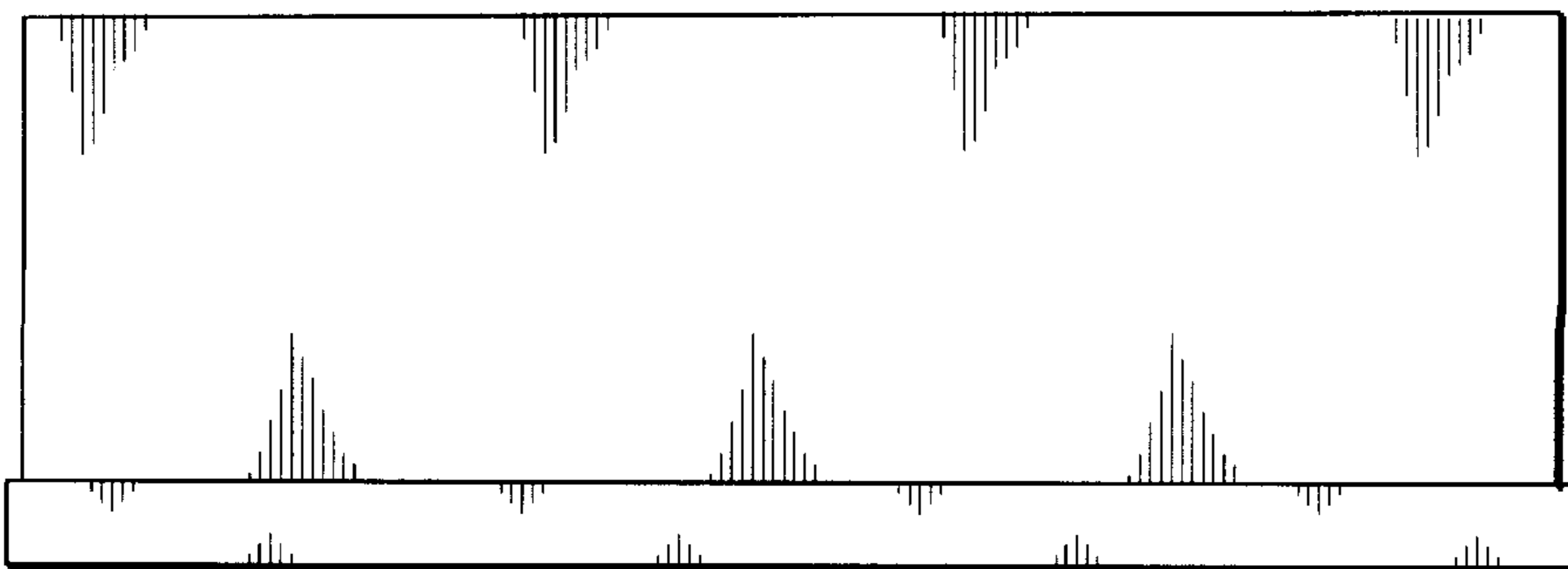
*FIG. - 11*



*FIG. - 12*



*FIG. - 13*



*FIG. - 14*