



US00D417541S

United States Patent [19]
Conway

[11] **Patent Number: Des. 417,541**

[45] **Date of Patent: ** Dec. 14, 1999**

[54] **CASE FOR SPECTACLES OR OTHER ARTICLES**

[75] Inventor: **Gary Roy Conway**, Cobham, United Kingdom

[73] Assignee: **Optoplast plc**, Liverpool, United Kingdom

[**] Term: **14 Years**

[21] Appl. No.: **29/100,048**

[22] Filed: **Jan. 27, 1999**

[30] **Foreign Application Priority Data**

Jul. 29, 1998 [GB] United Kingdom 2076433

[51] **LOC (6) Cl.** **03-01**

[52] **U.S. Cl.** **D2/263; D3/264; D3/265**

[58] **Field of Search** D3/201, 205, 263, D3/264, 265, 266; D16/134, 136; D28/73, 78; 206/5, 5.1, 6, 316.1; D9/341, 415

[56] **References Cited**

U.S. PATENT DOCUMENTS

D. 26,394	12/1896	Spencer	D3/265
D. 27,622	9/1897	Zoerb	D3/265
D. 49,217	6/1916	King	D3/265
D. 110,442	7/1938	Pratt	D3/265
D. 259,596	6/1981	Gray	D3/205
D. 262,585	1/1982	Anema	D3/205
D. 316,932	5/1991	Escher, Jr.	D3/265
D. 333,037	2/1993	Dweck et al.	D3/265
D. 382,708	8/1997	Canning	D3/265
4,703,519	10/1987	Krenzel	383/97
5,016,749	5/1991	Kaye et al.	206/5.1
5,615,765	4/1997	Roericht	206/6

Primary Examiner—Celia Murphy
Attorney, Agent, or Firm—Cobrin & Gittes

[57] **CLAIM**

The ornamental design for a case for spectacles or other articles, as shown and described.

DESCRIPTION

FIG. 1 is a front perspective view of a case for spectacles or other articles showing my new design;
 FIG. 2 is a front elevational view thereof;
 FIG. 3 is a rear elevational view thereof;
 FIG. 4 is a top plan view thereof;
 FIG. 5 is a bottom plan view thereof; and
 FIG. 6 is a left side elevational view thereof, the right side being a mirror image;
 FIG. 7 is a front perspective view of an alternate embodiment of the design shown in FIG. 1;
 FIG. 8 is a rear elevational view of FIG. 7;
 FIG. 9 is a bottom plan view of FIG. 7;
 FIG. 10 is a left side elevational view of FIG. 7, the right side being a mirror image;
 FIG. 11 is a front perspective view of a second embodiment of the design shown in FIG. 1;
 FIG. 12 is a rear elevational view of FIG. 11;
 FIG. 13 is a bottom plan view of FIG. 11;
 FIG. 14 is a left side elevational view of FIG. 11, the right side being a mirror image;
 FIG. 15 is a front perspective view of a third embodiment of the design shown in FIG. 1;
 FIG. 16 is a bottom plan view of FIG. 15;
 FIG. 17 is a rear elevational view of FIG. 15; and,
 FIG. 18 is a left side elevational view of FIG. 15, the right side being a mirror image.

1 Claim, 9 Drawing Sheets

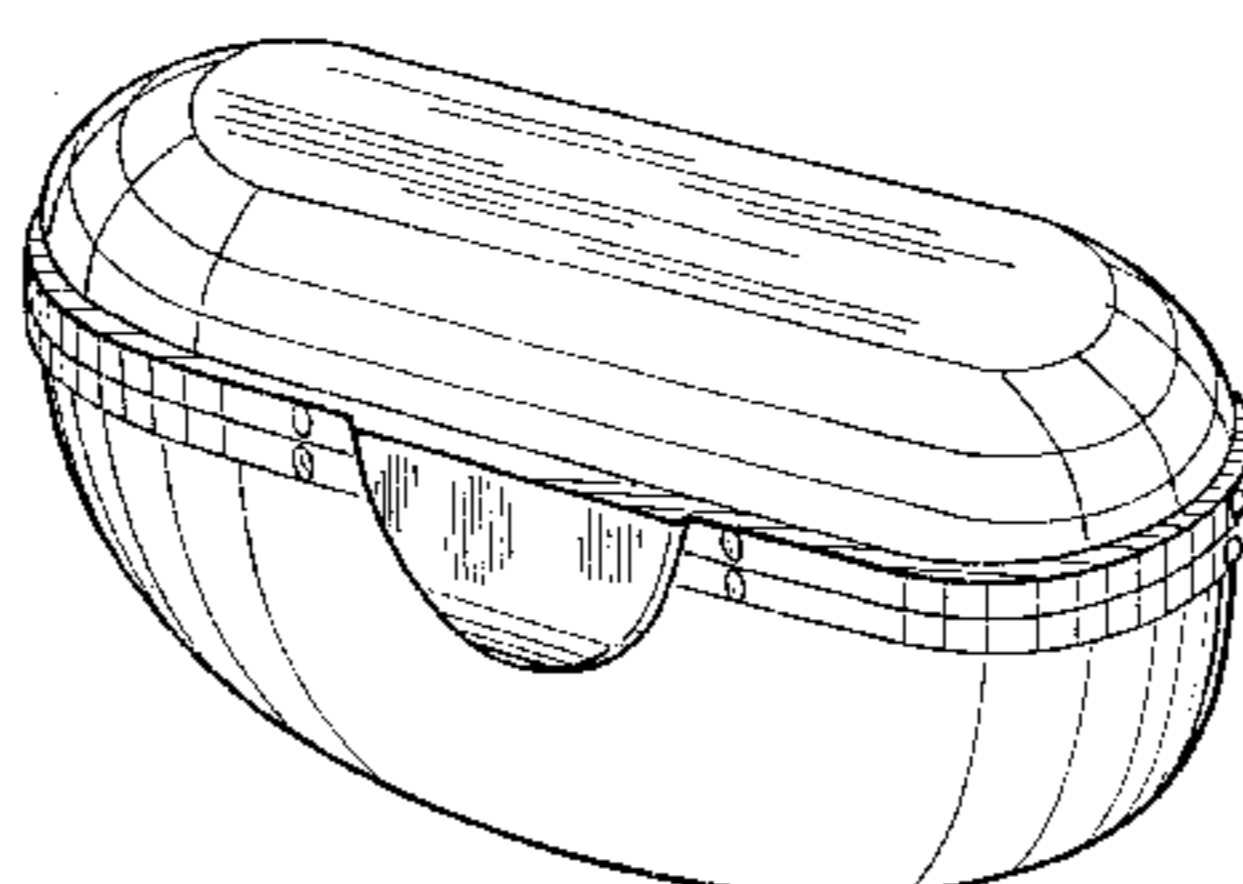
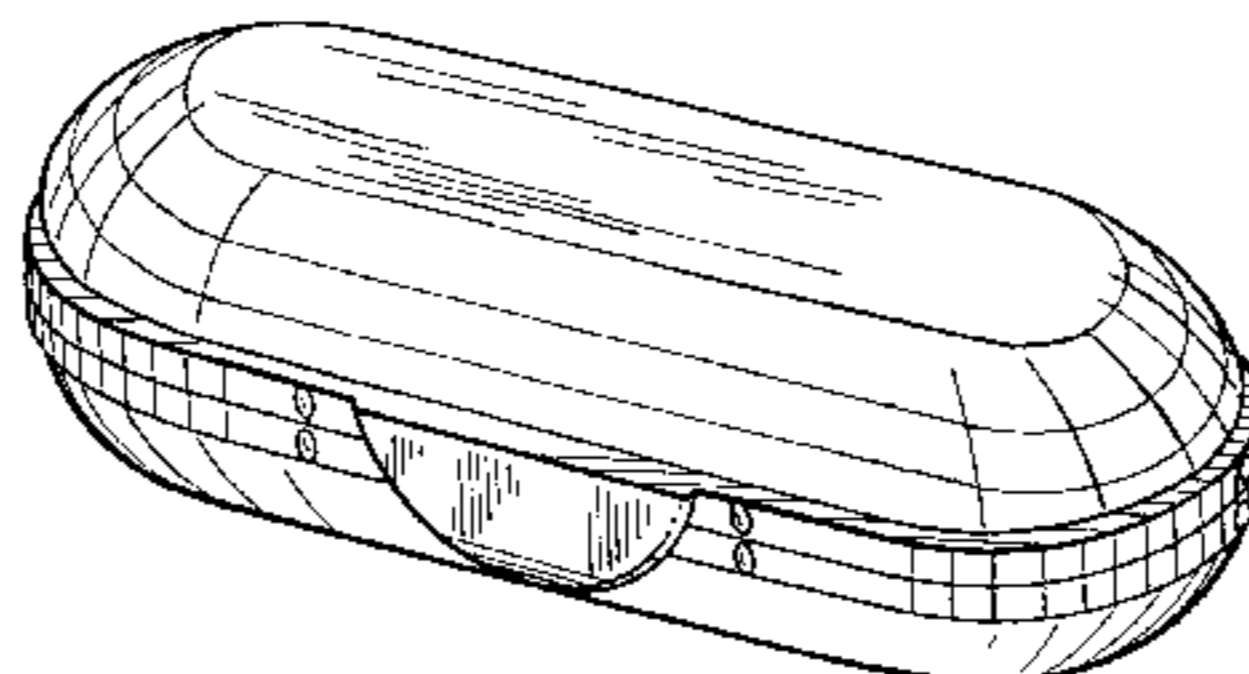
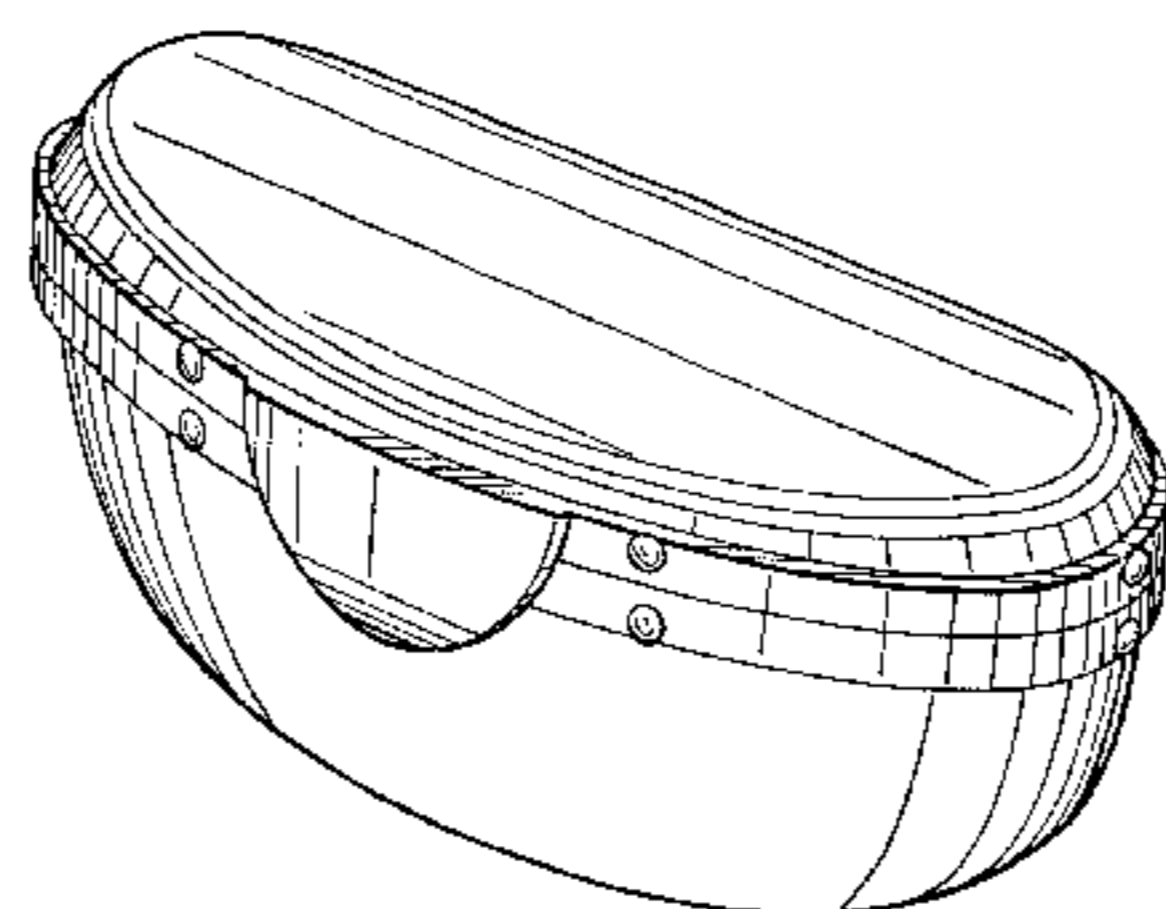


FIG. 1

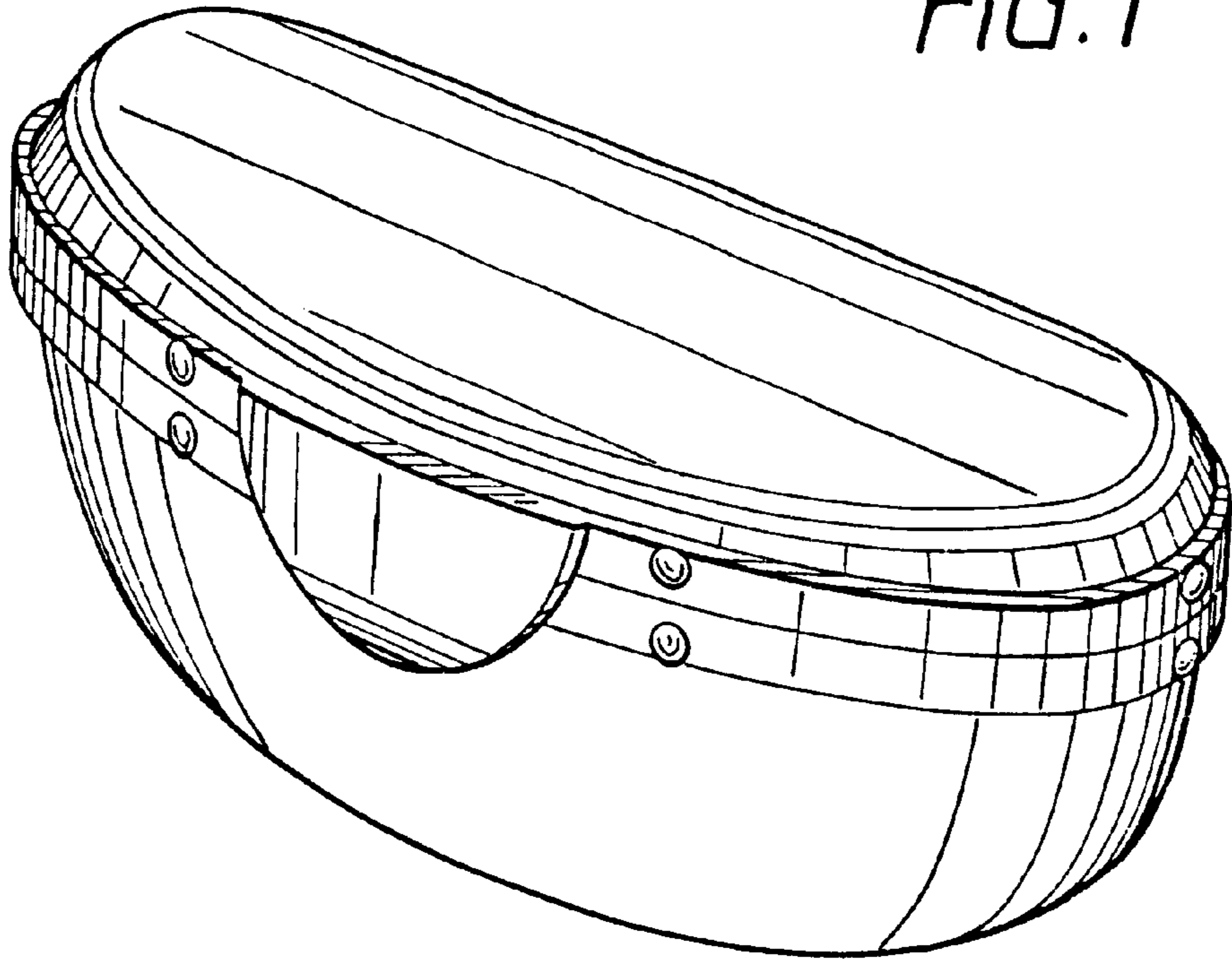


FIG. 2

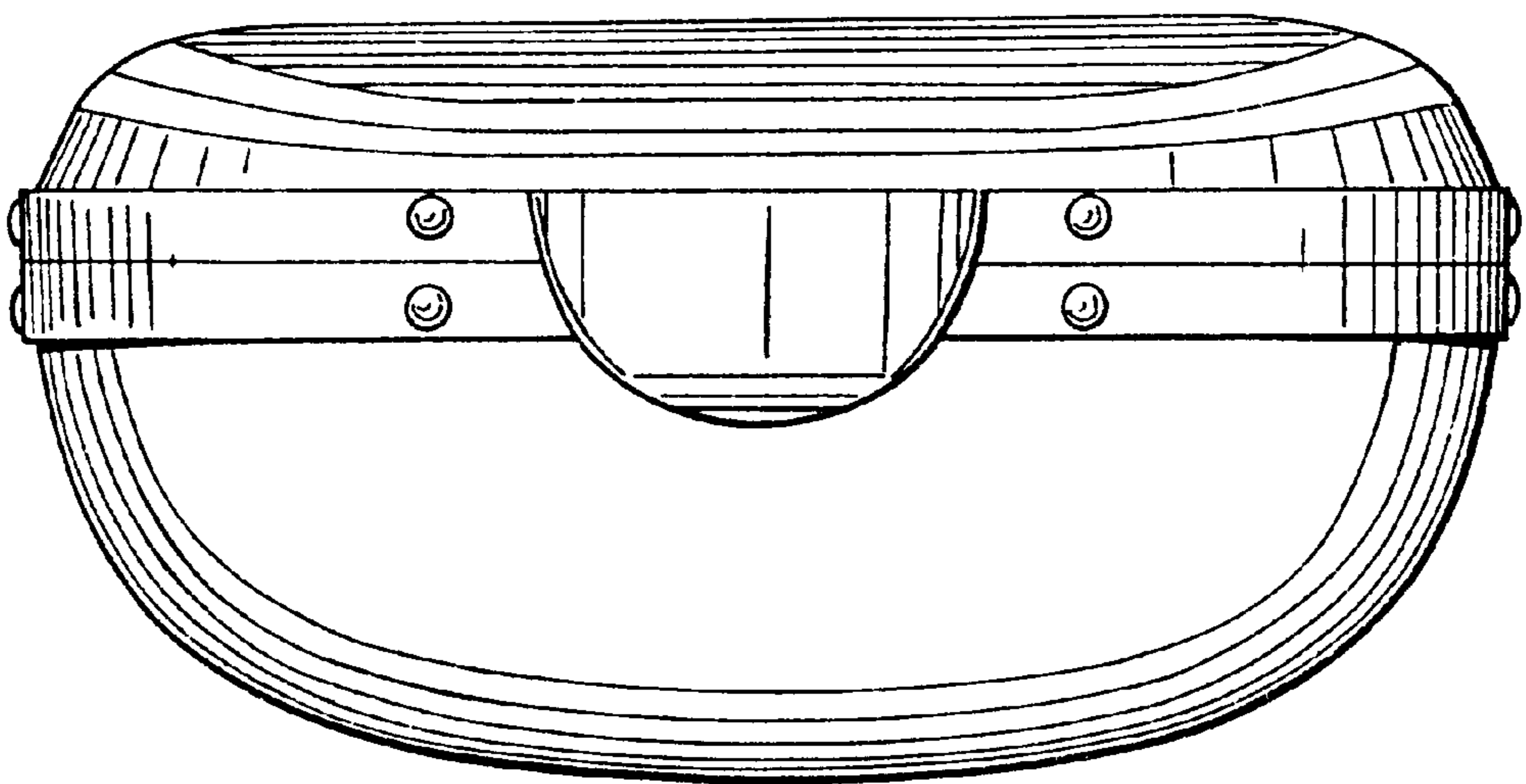


FIG. 3

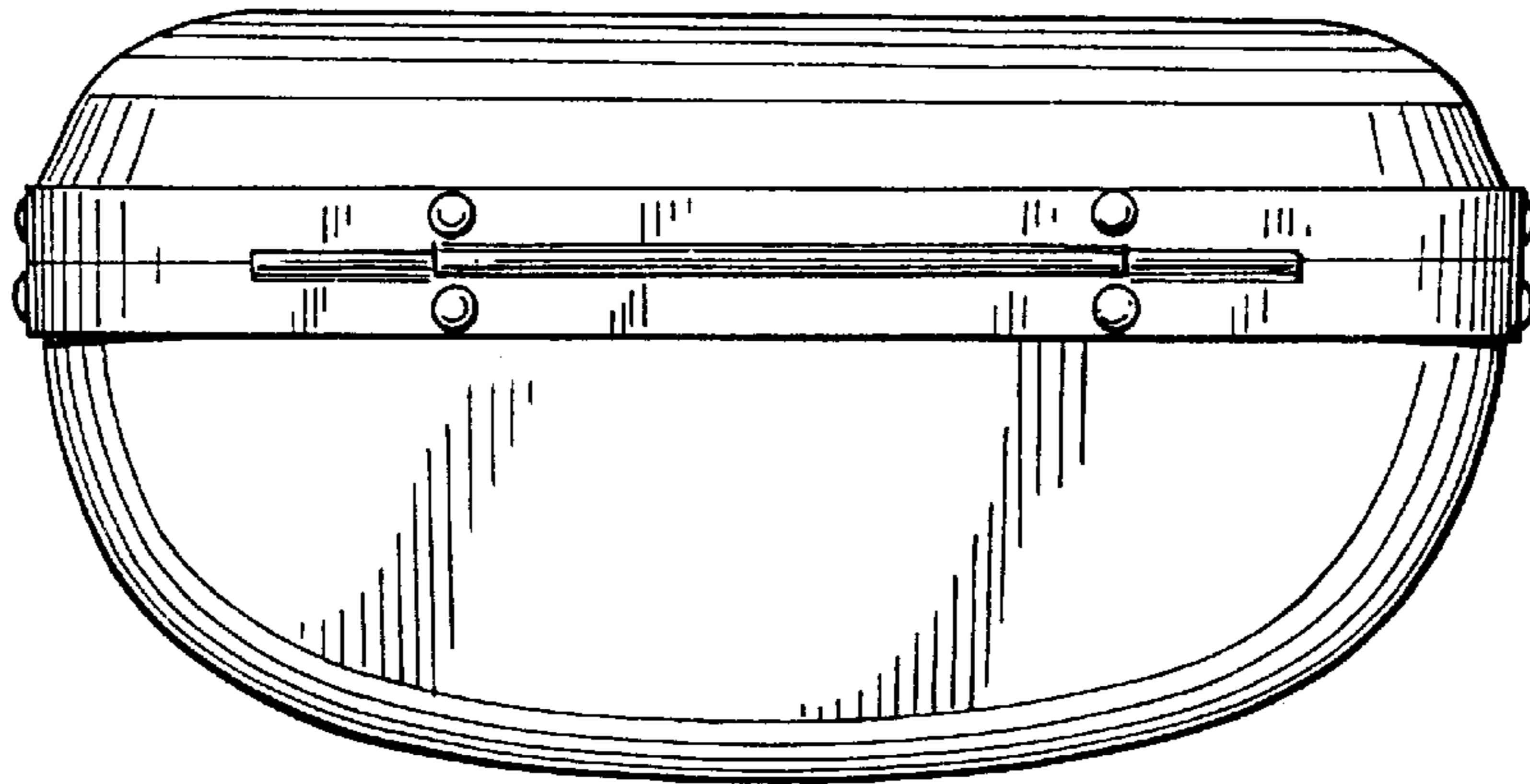


FIG. 4

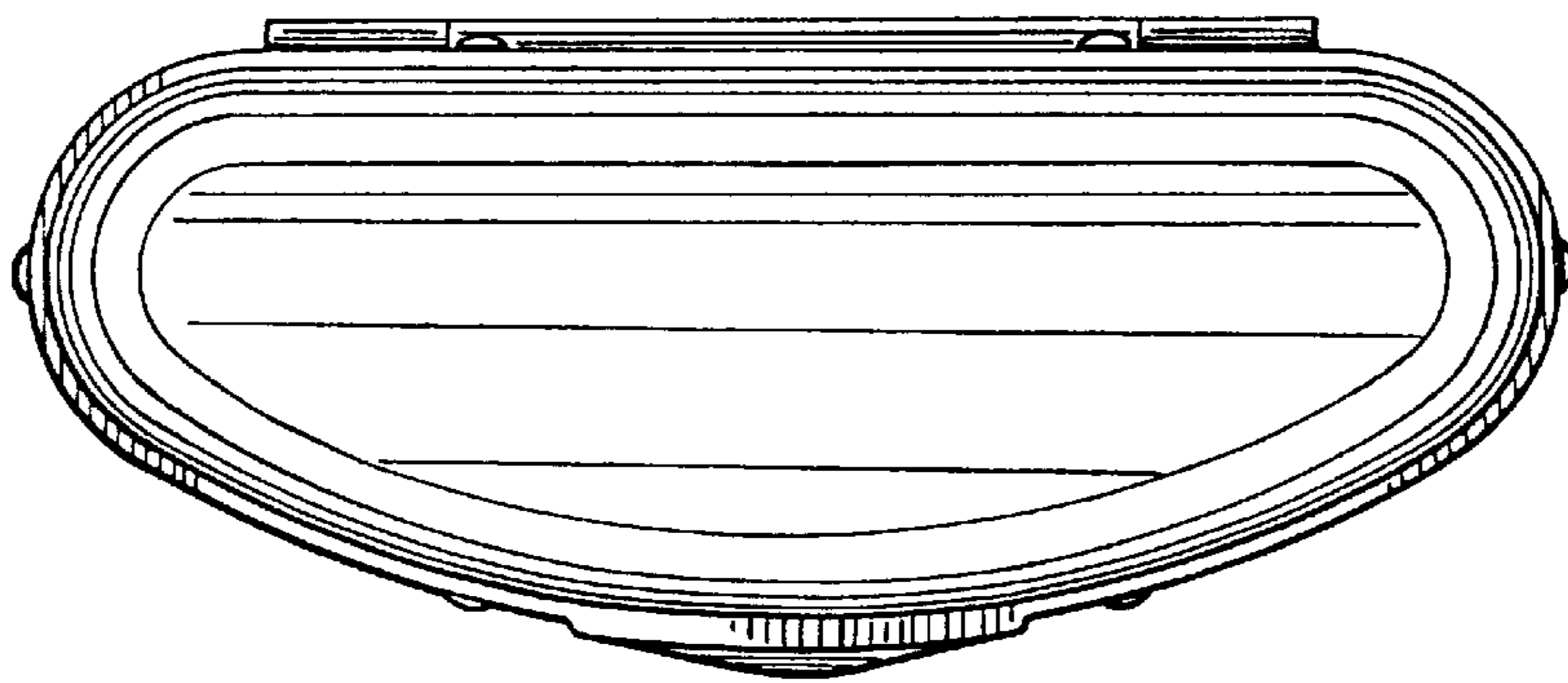


FIG. 5

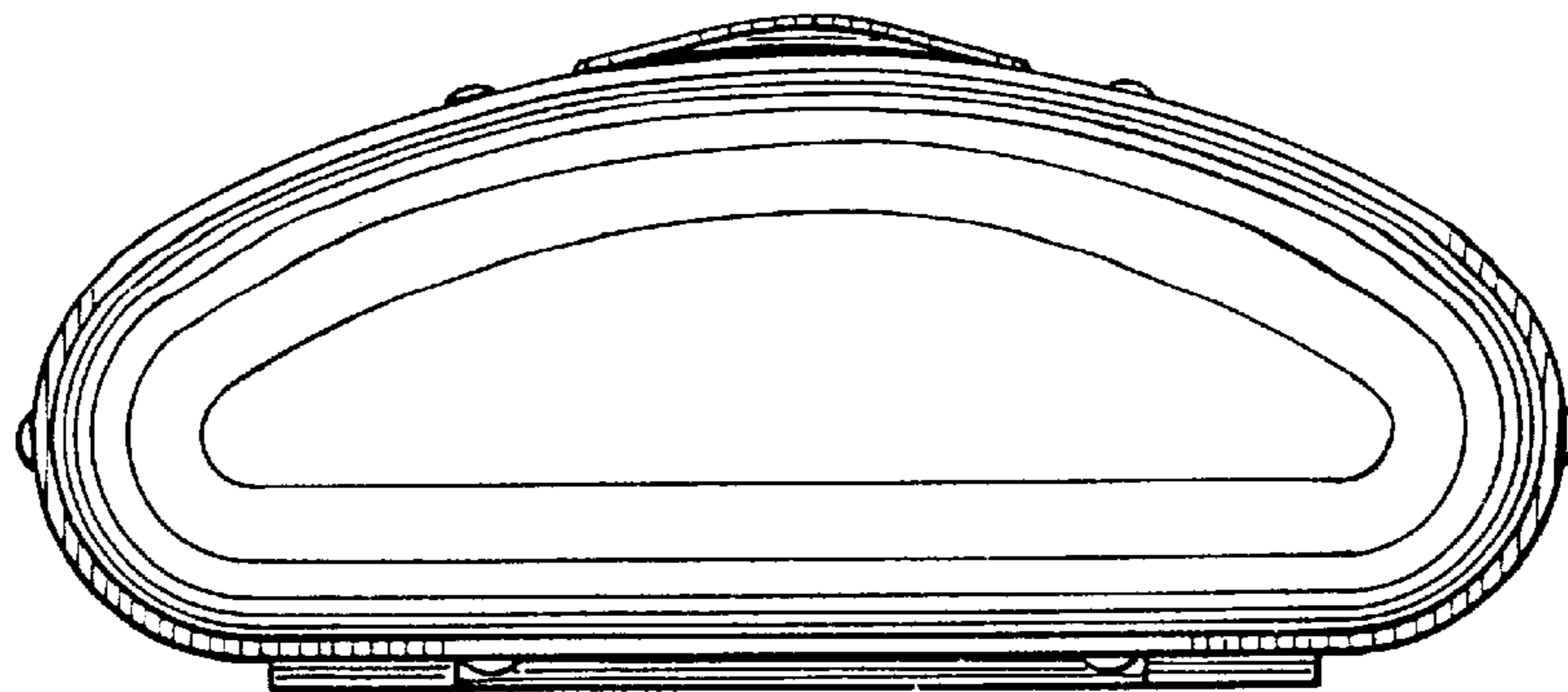


FIG. 6

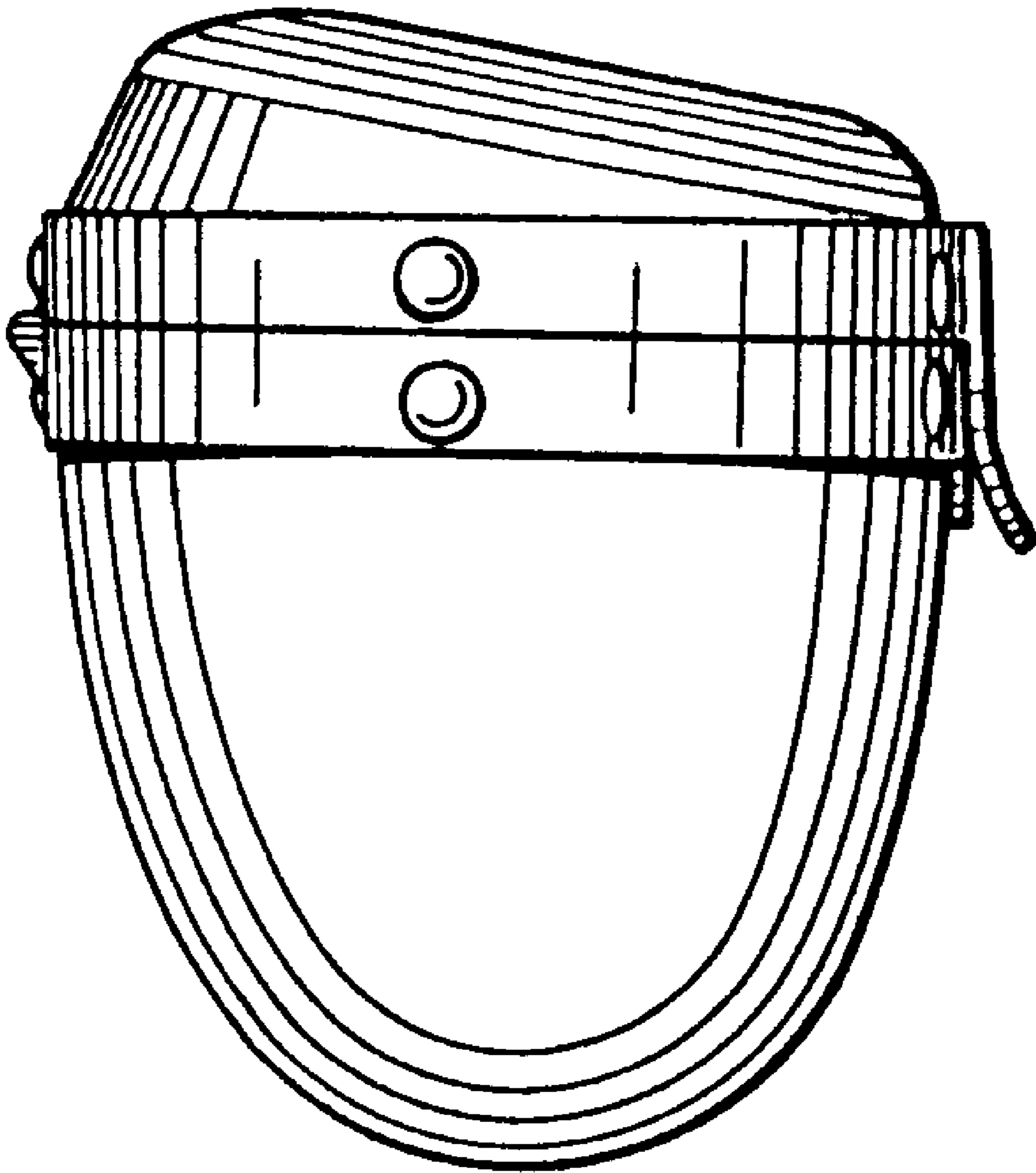


FIG. 7

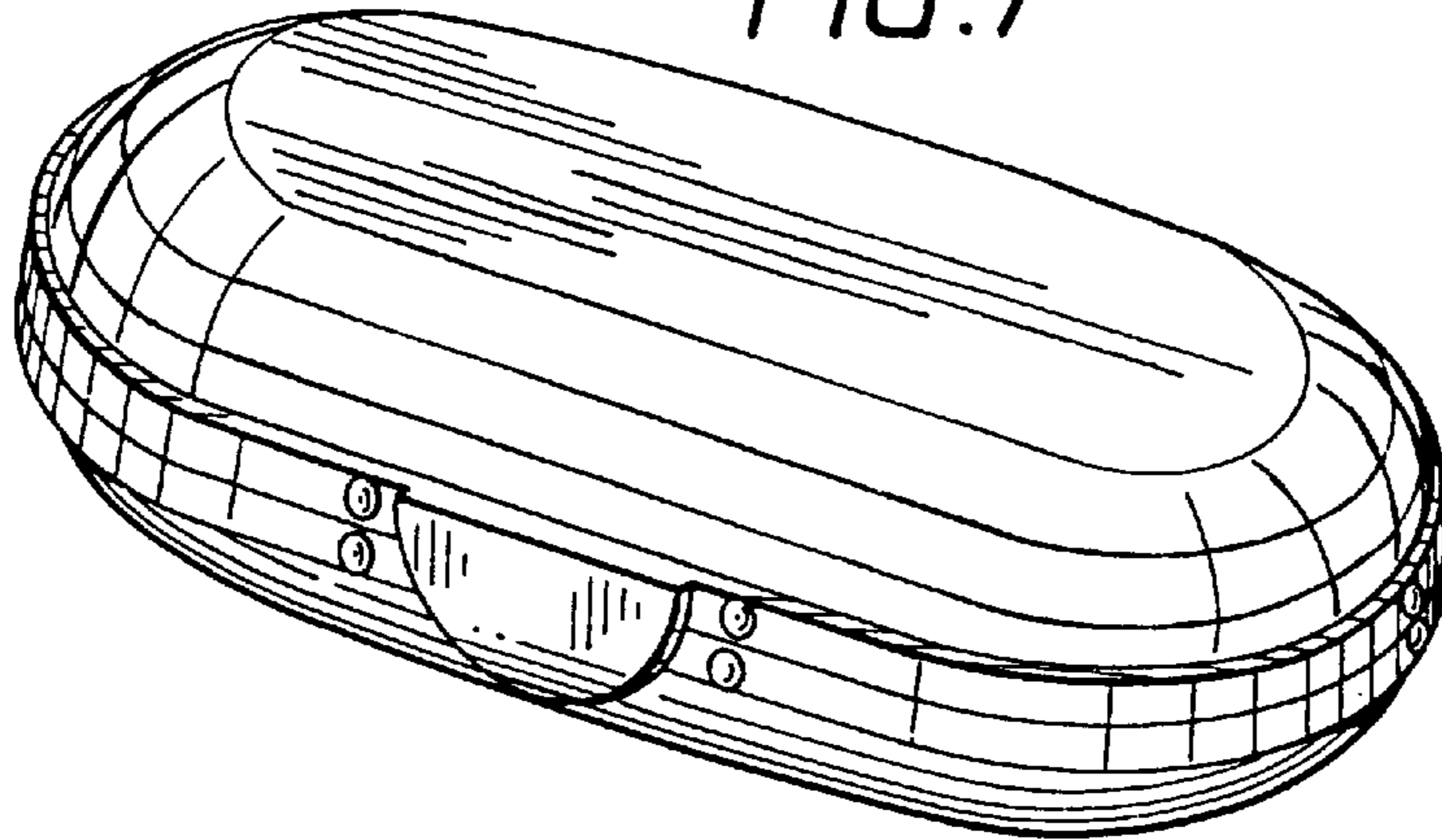


FIG. 8

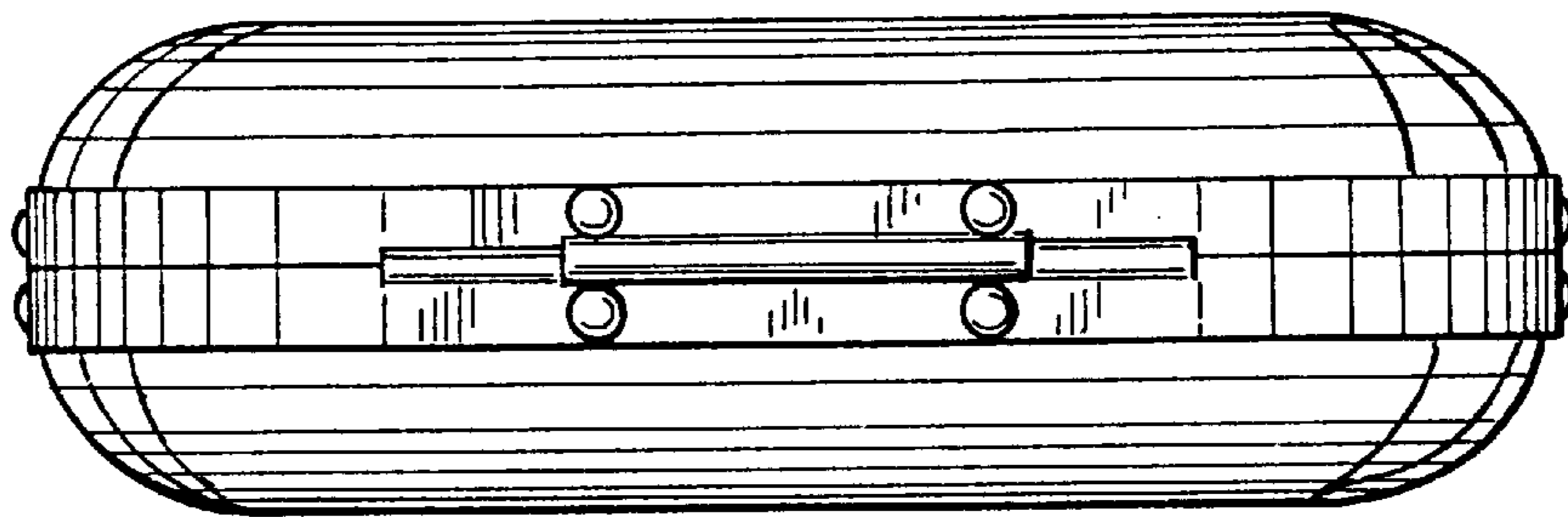


FIG. 9

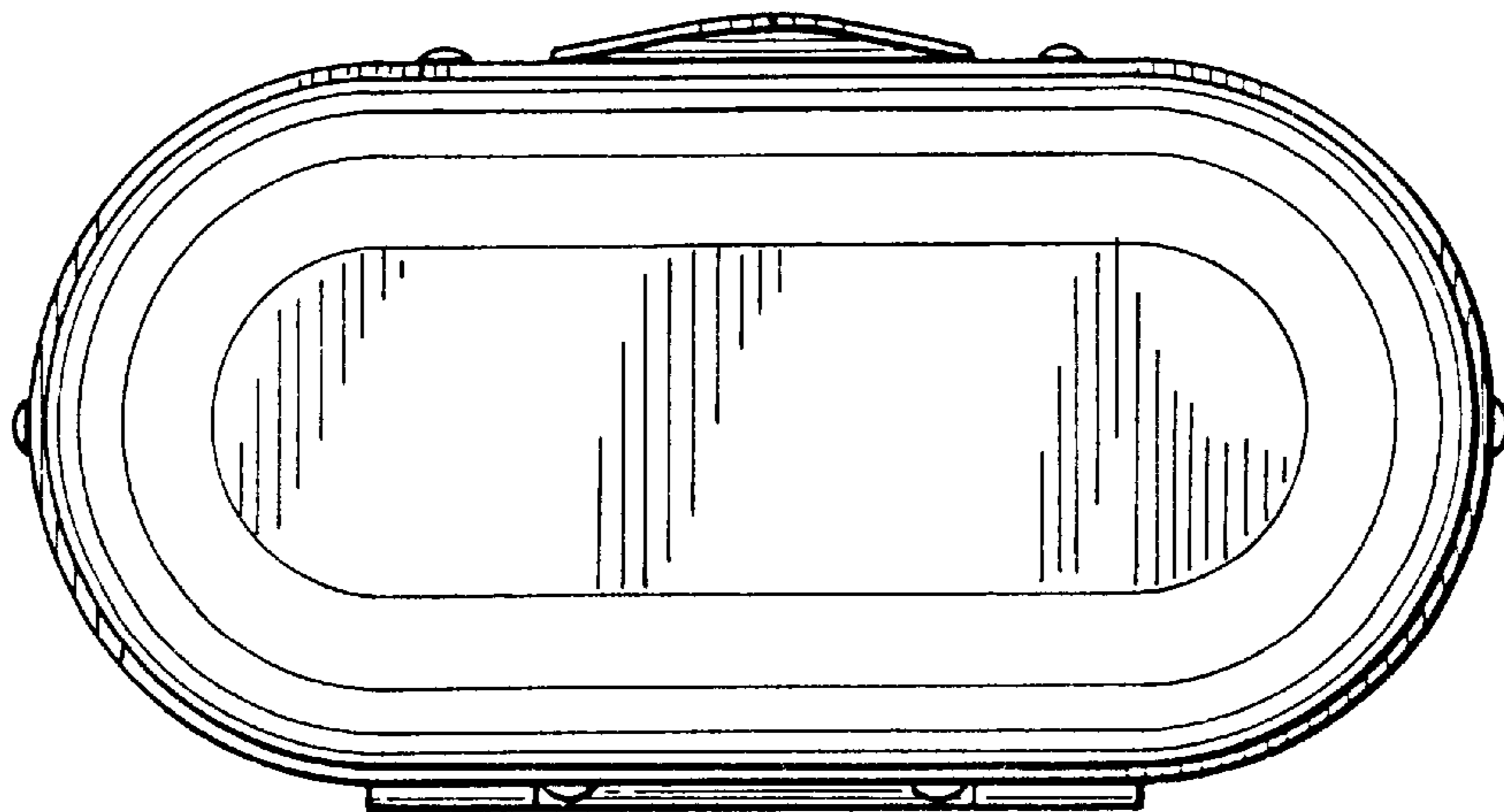


FIG. 10

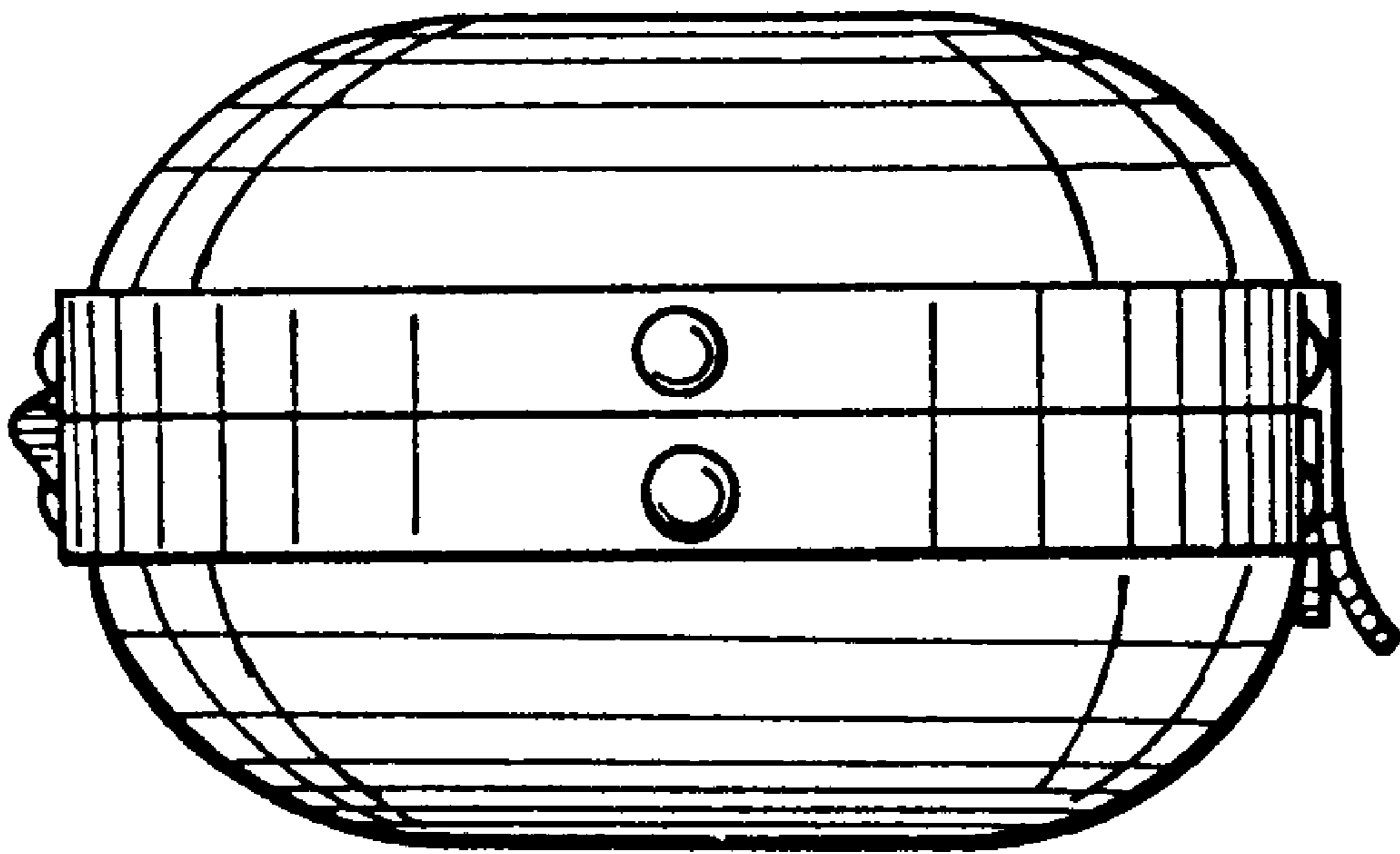


FIG. 11

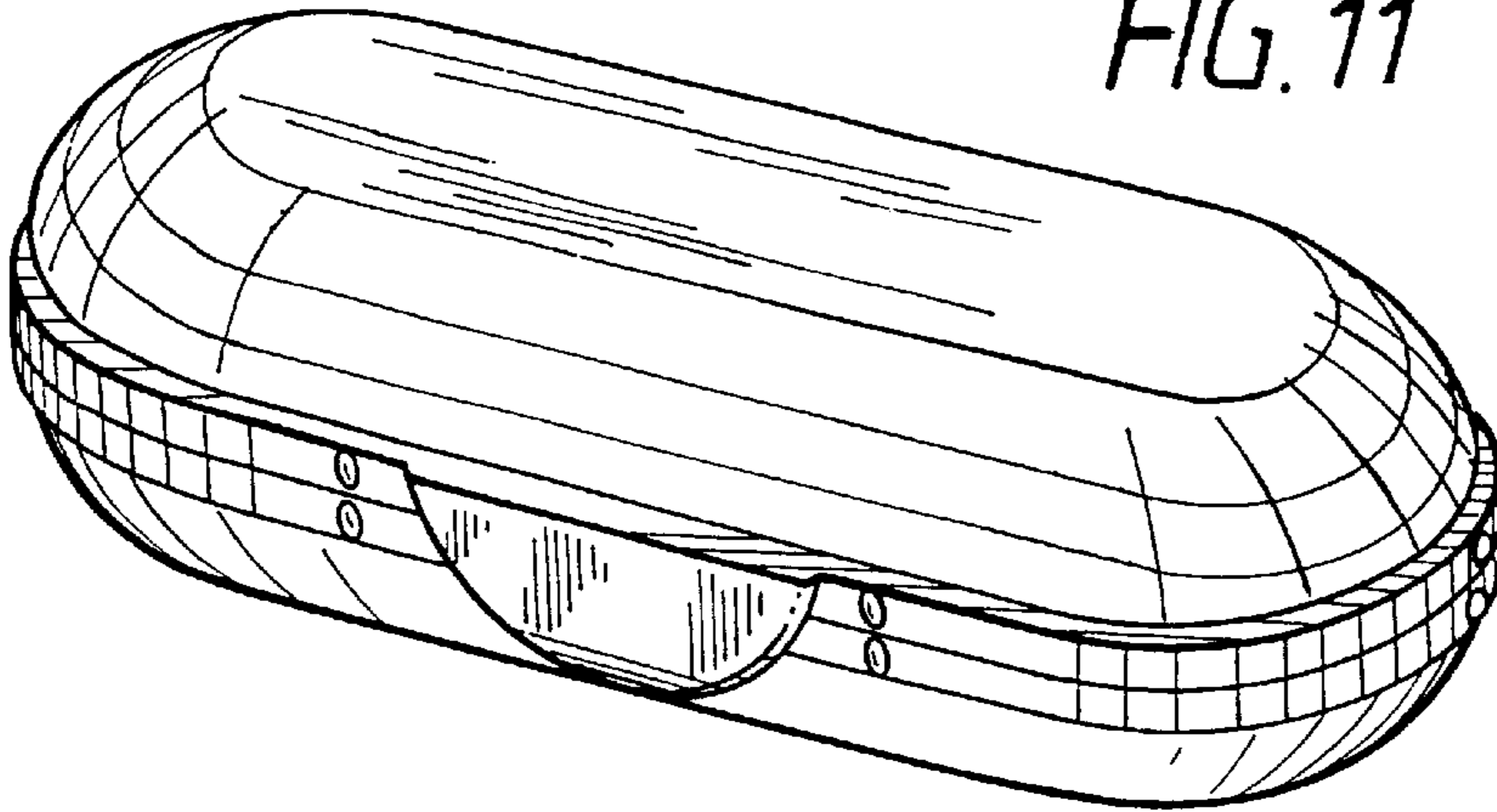


FIG. 12

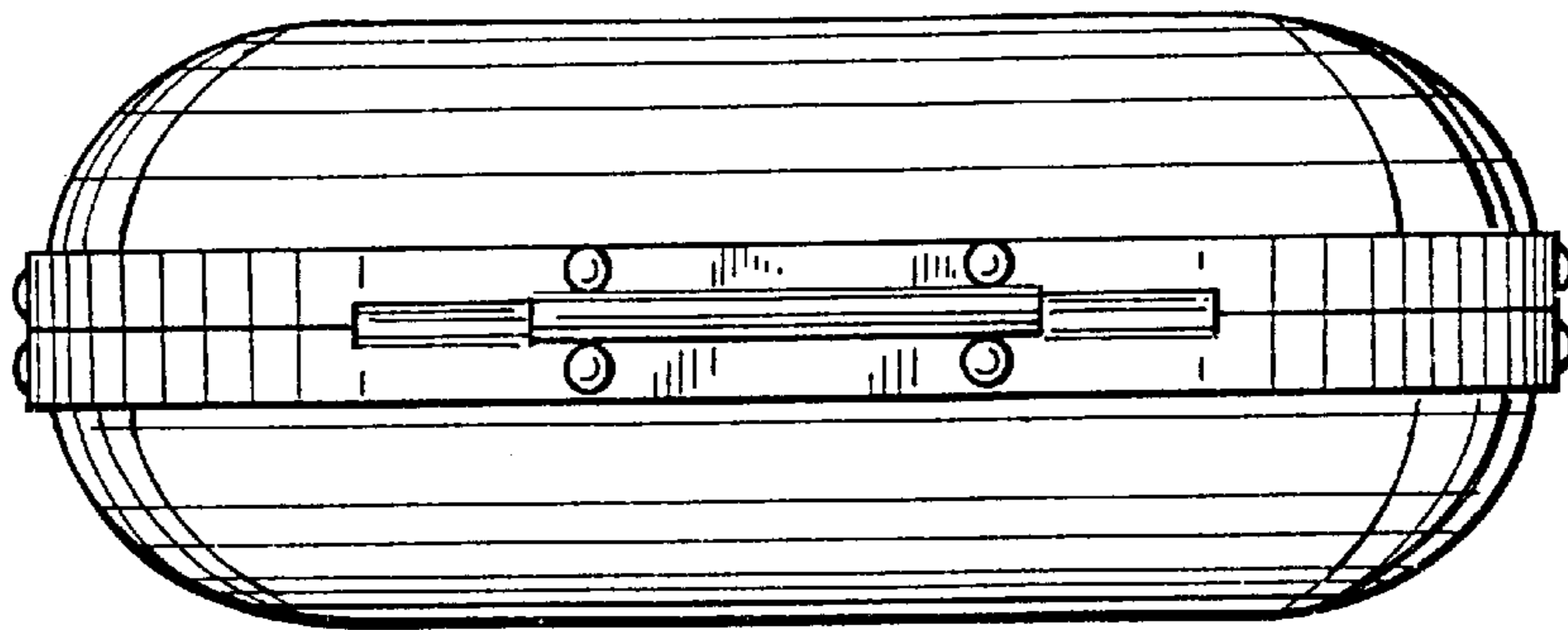


FIG. 13

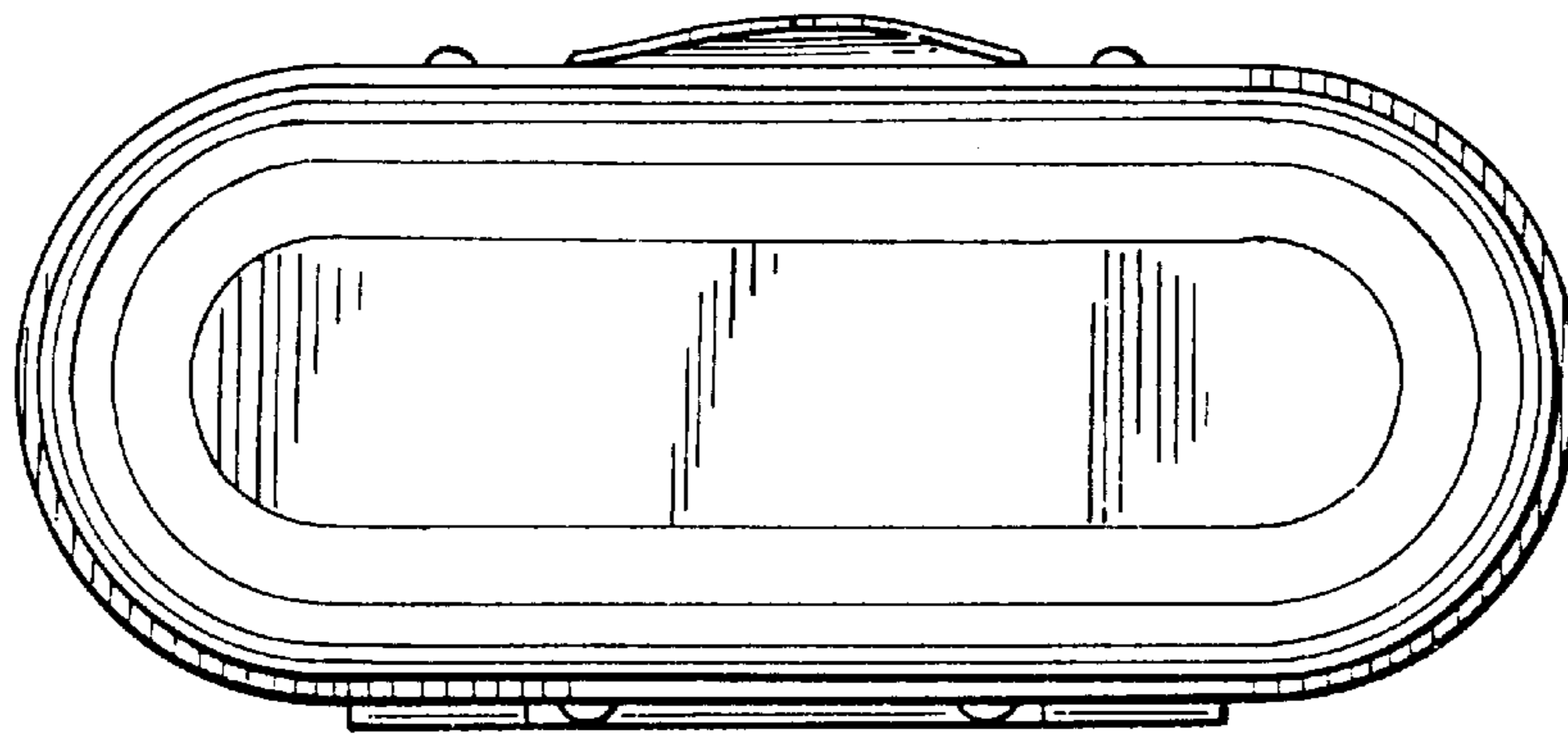
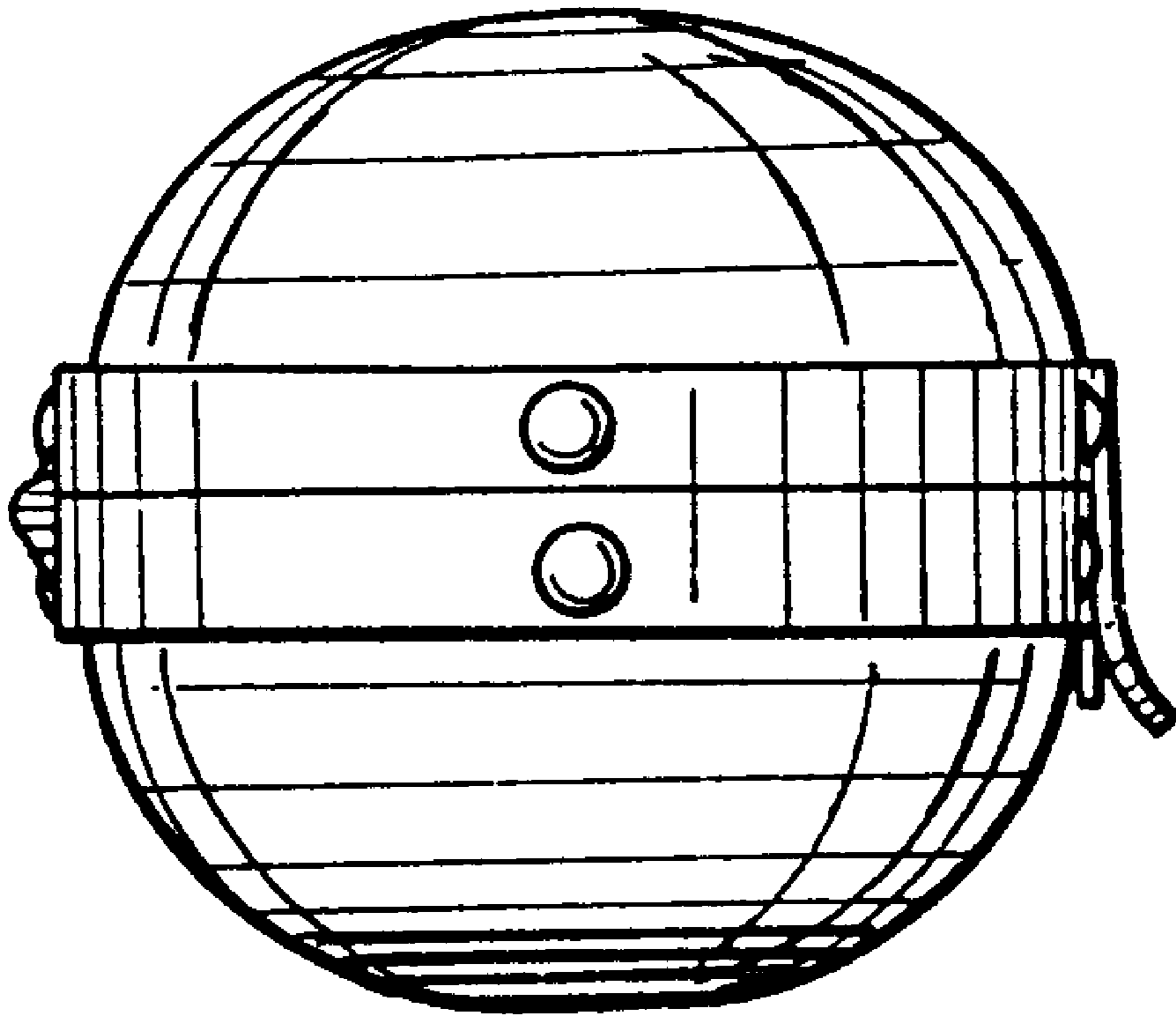


FIG. 14



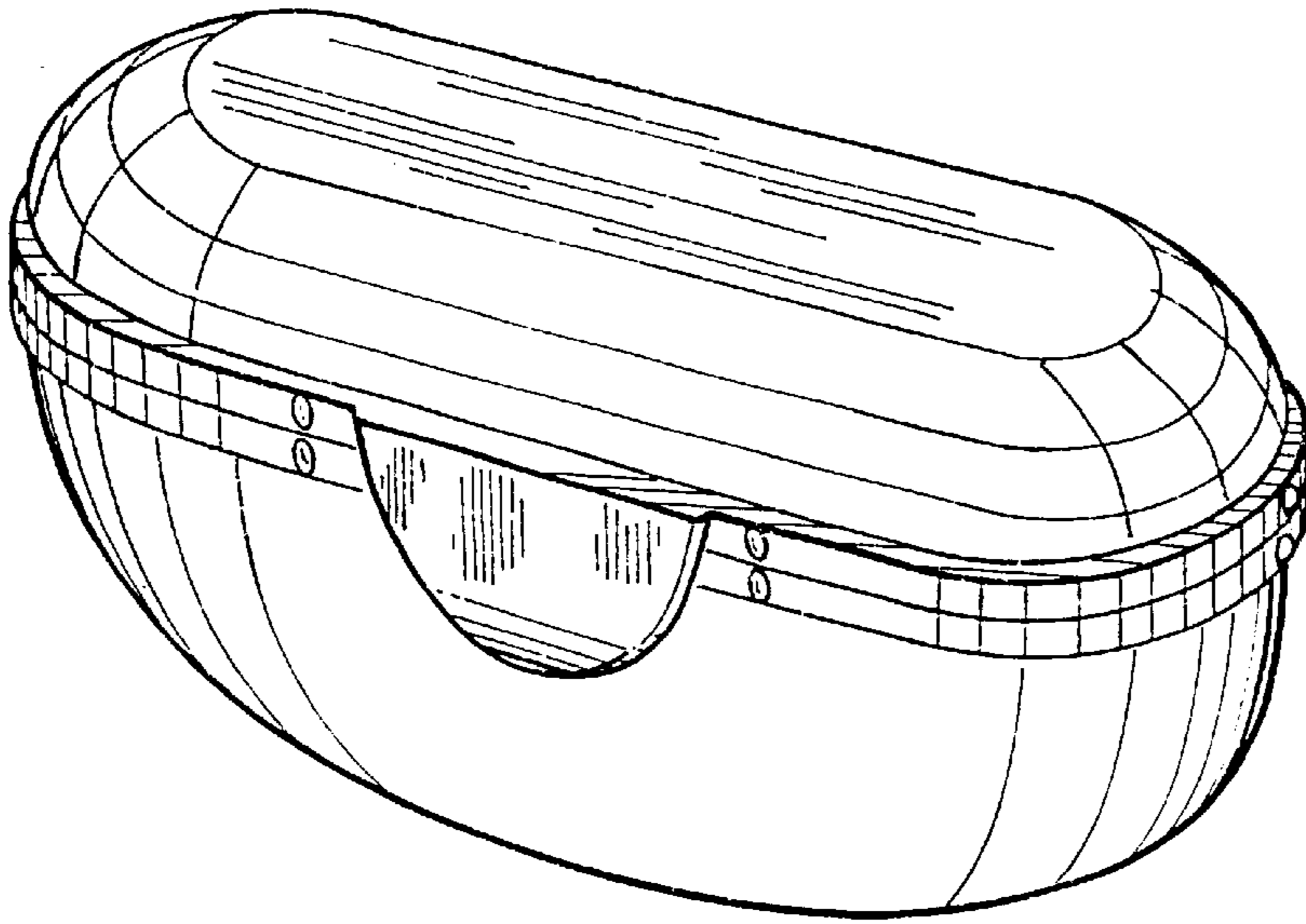


FIG. 15

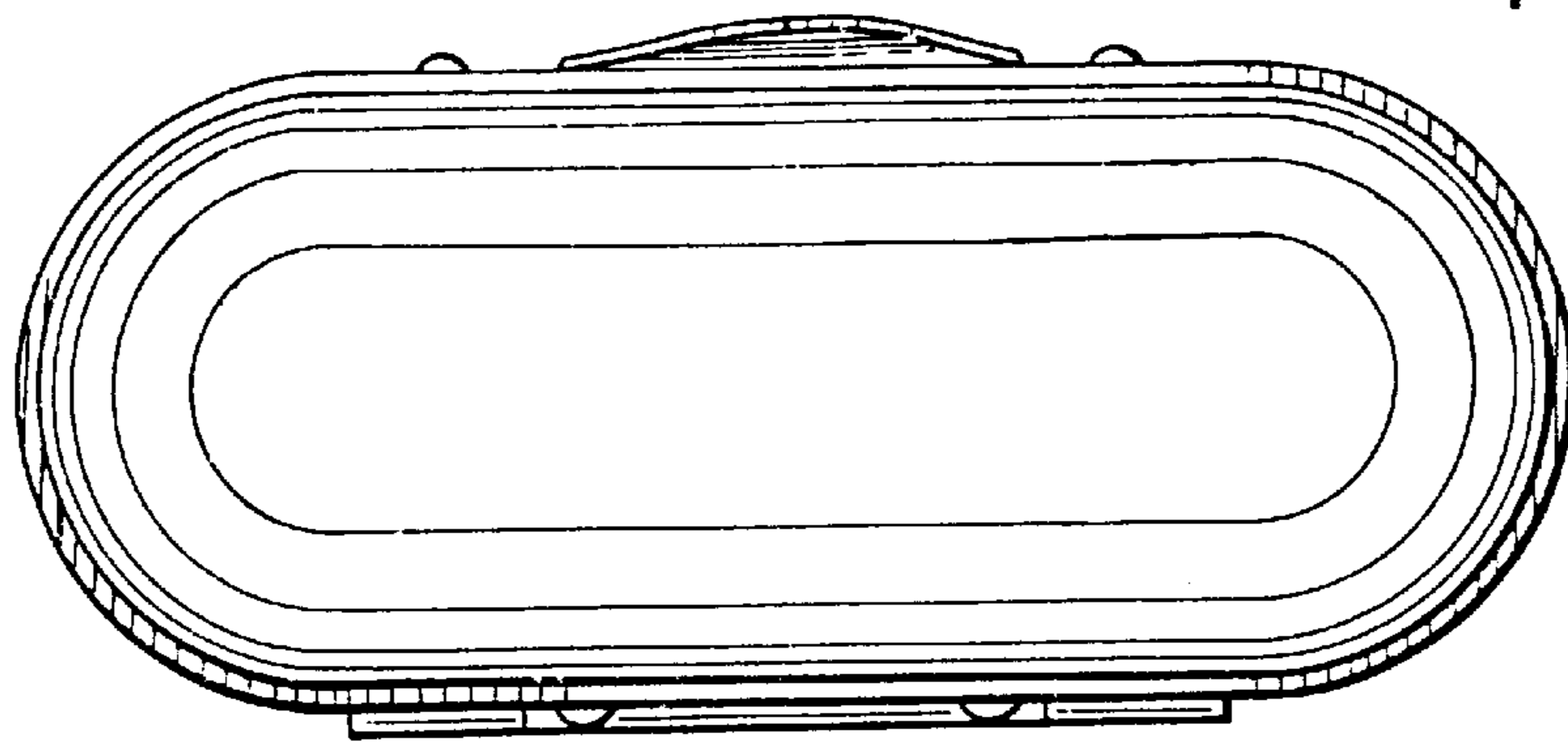


FIG. 16

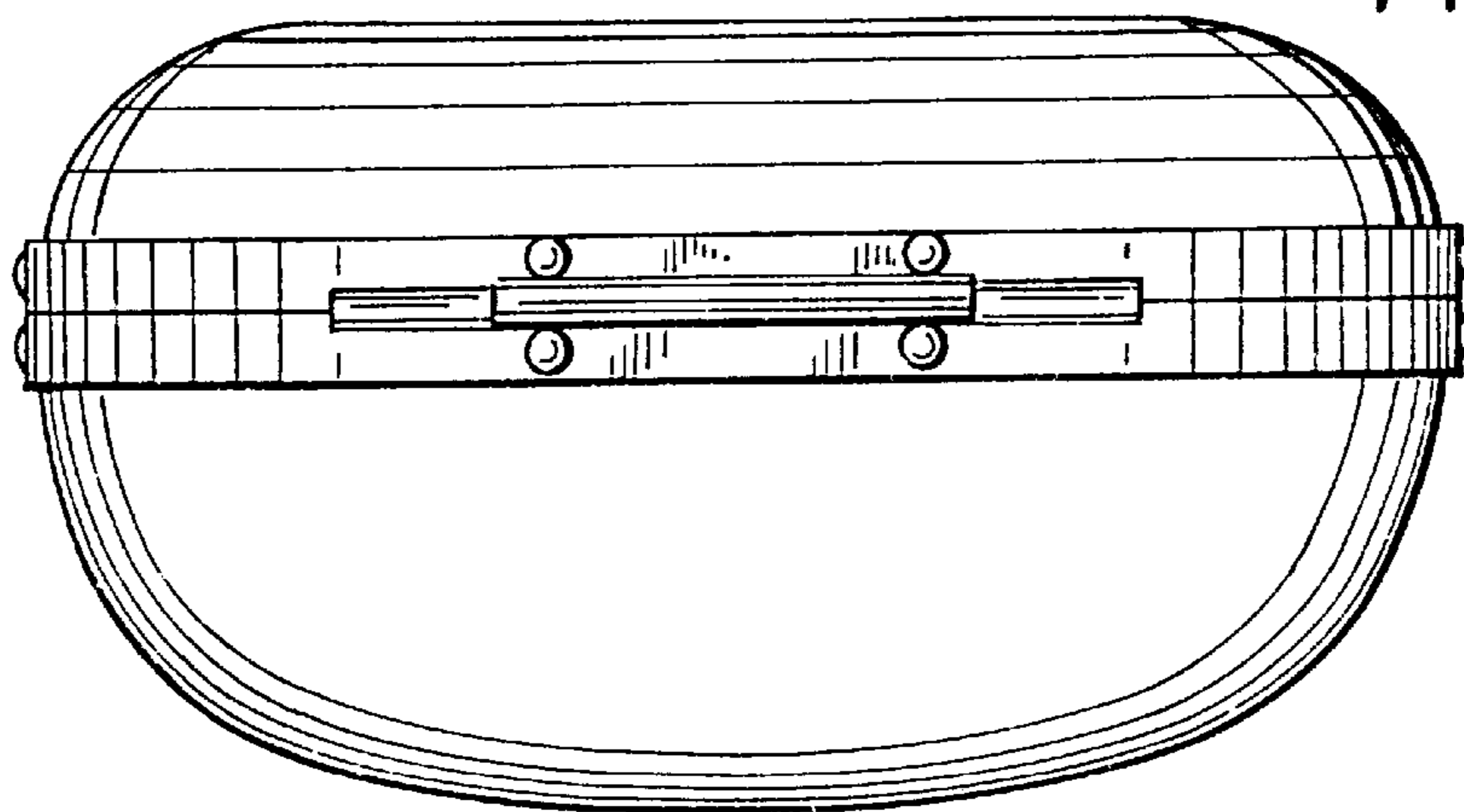


FIG. 17

FIG. 18

