



US00D417538S

# United States Patent [19]

[11] Patent Number: **Des. 417,538**

Tisbo et al.

[45] Date of Patent: **\*\* Dec. 7, 1999**

[54] **MOLDED PORTABLE HOSE REEL CART**

D. 409,813 5/1999 Tisbo et al. .... D34/24

[75] Inventors: **Thomas A. Tisbo**, Barrington Hills; **Torrence C. Anderson**, Aurora; **Brian R. Moon**, Dekalb; **Michael G. Uffner**, Naperville; **Michael R. Vogler**, Aurora, all of Ill.

*Primary Examiner*—Kay H. Chin  
*Attorney, Agent, or Firm*—Welsh & Katz, Ltd.

[73] Assignee: **Suncast Corporation**, Batavia, Ill.

[57] **CLAIM**

The ornamental design for a molded portable hose reel cart, as shown and described.

[\*\*] Term: **14 Years**

**DESCRIPTION**

[21] Appl. No.: **29/096,397**

FIG. 1 is a front perspective view of a molded portable hose reel cart showing our new design; FIG. 2 is a side view of the hose reel cart of FIG. 1, as viewed from the right-hand side thereof; FIG. 3 is a side view of the hose reel cart of FIG. 1, as viewed from the left-hand side thereof; FIG. 4 is a front view of the hose reel cart of FIG. 1; FIG. 5 is a rear view of the hose reel cart of FIG. 1; FIG. 6 is a top view of the hose reel cart of FIG. 1; and, FIG. 7 is a bottom view of the hose reel cart of FIG. 1.

[22] Filed: **Nov. 12, 1998**

[51] **LOC (6) Cl.** ..... **12-02**

[52] **U.S. Cl.** ..... **D34/24; D8/359**

[58] **Field of Search** ..... **D34/12-27; D8/359; 242/355.27, 355.16**

[56] **References Cited**

**U.S. PATENT DOCUMENTS**

D. 390,315 2/1998 Spear et al. .... D34/24

**1 Claim, 6 Drawing Sheets**

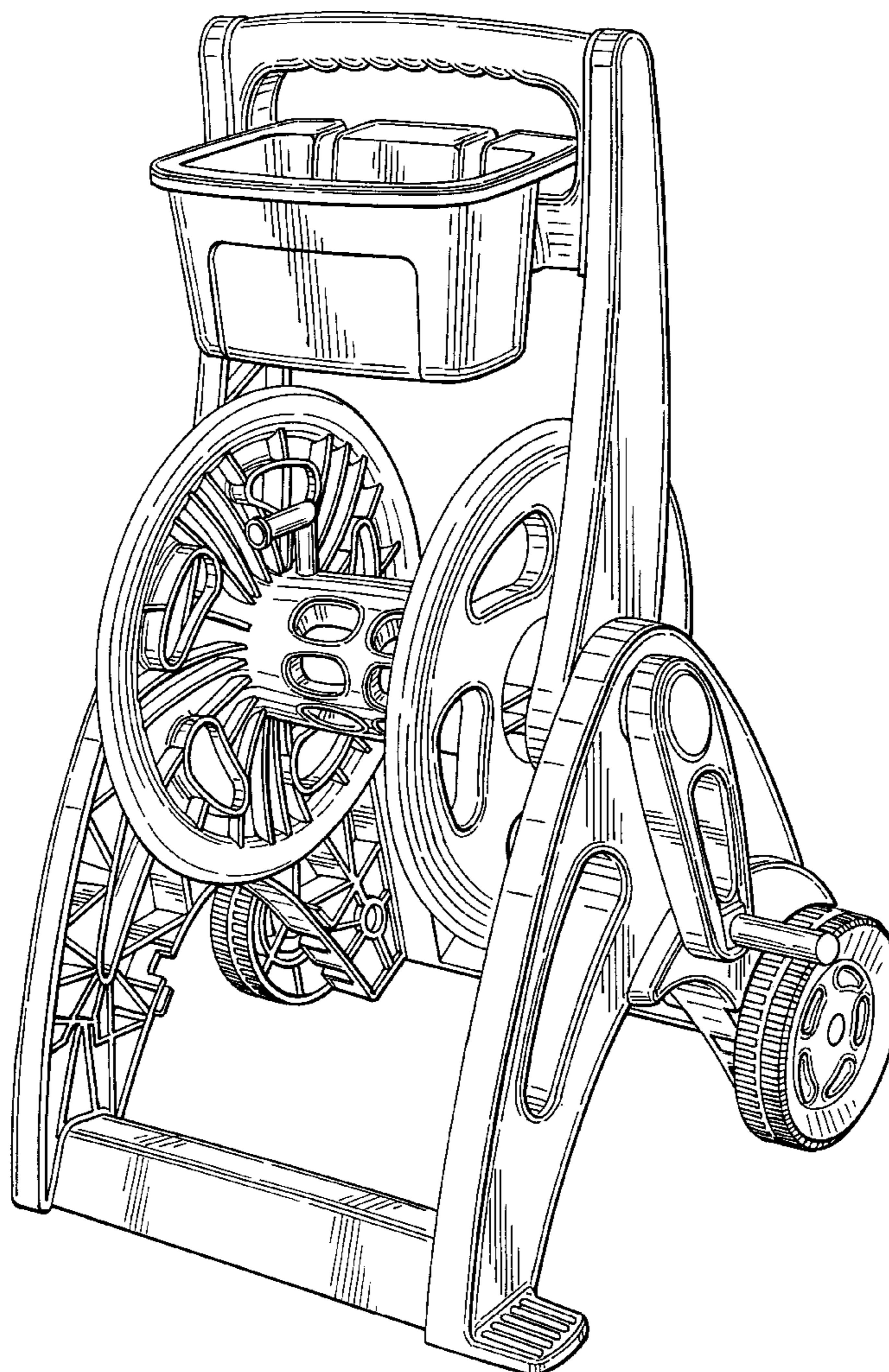


FIG. 1

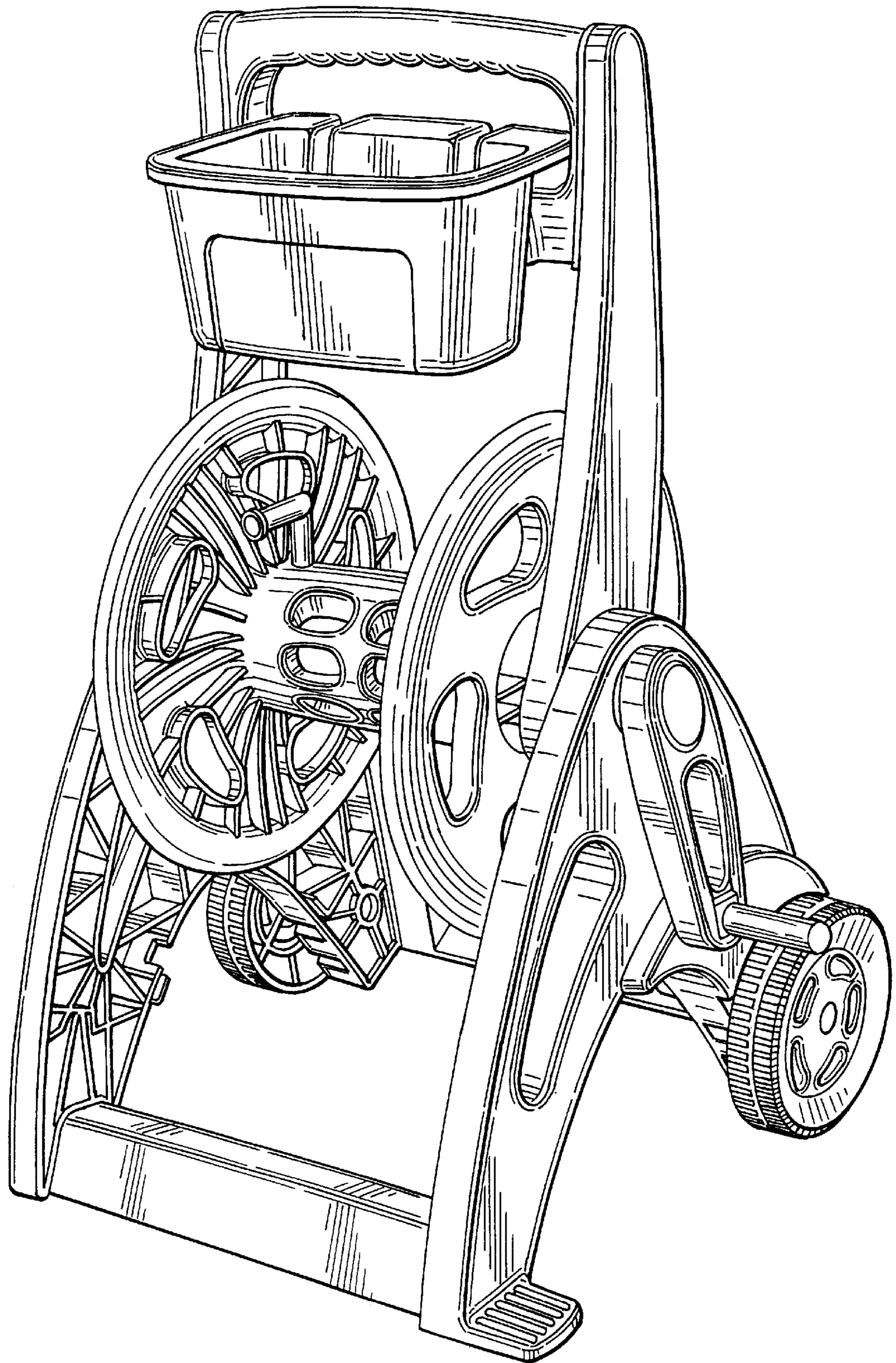




FIG. 2

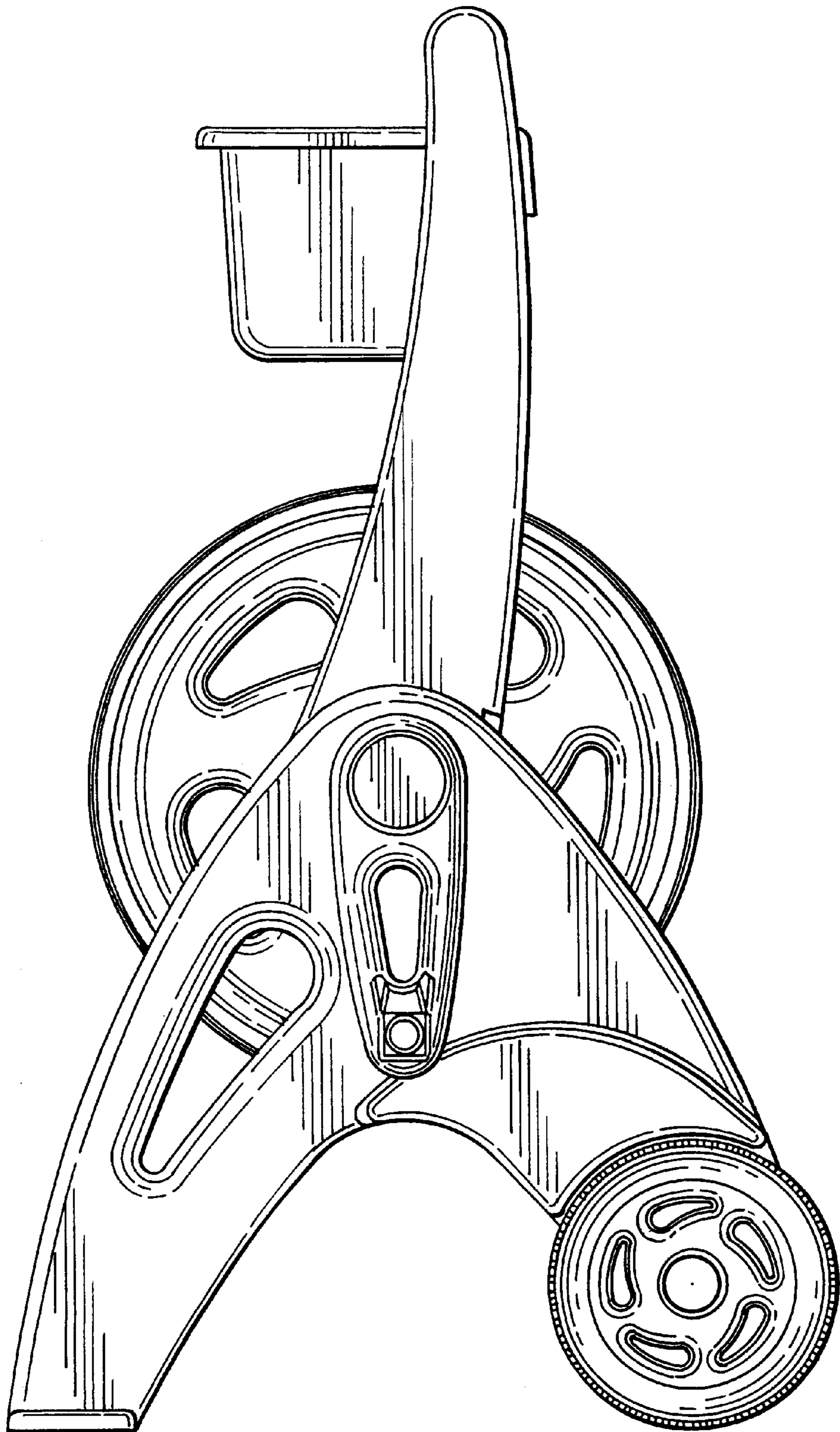


FIG. 3

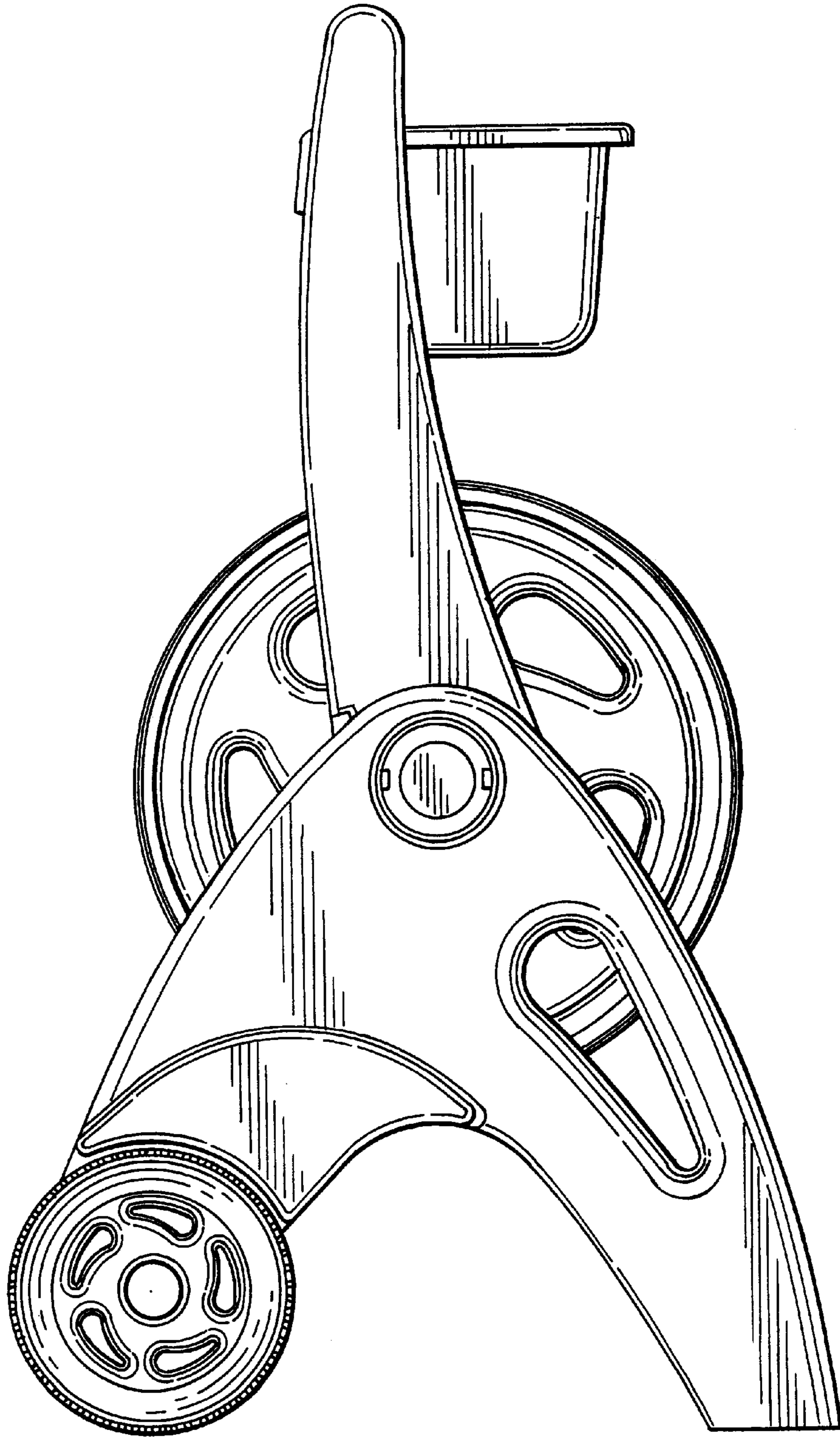


FIG. 4

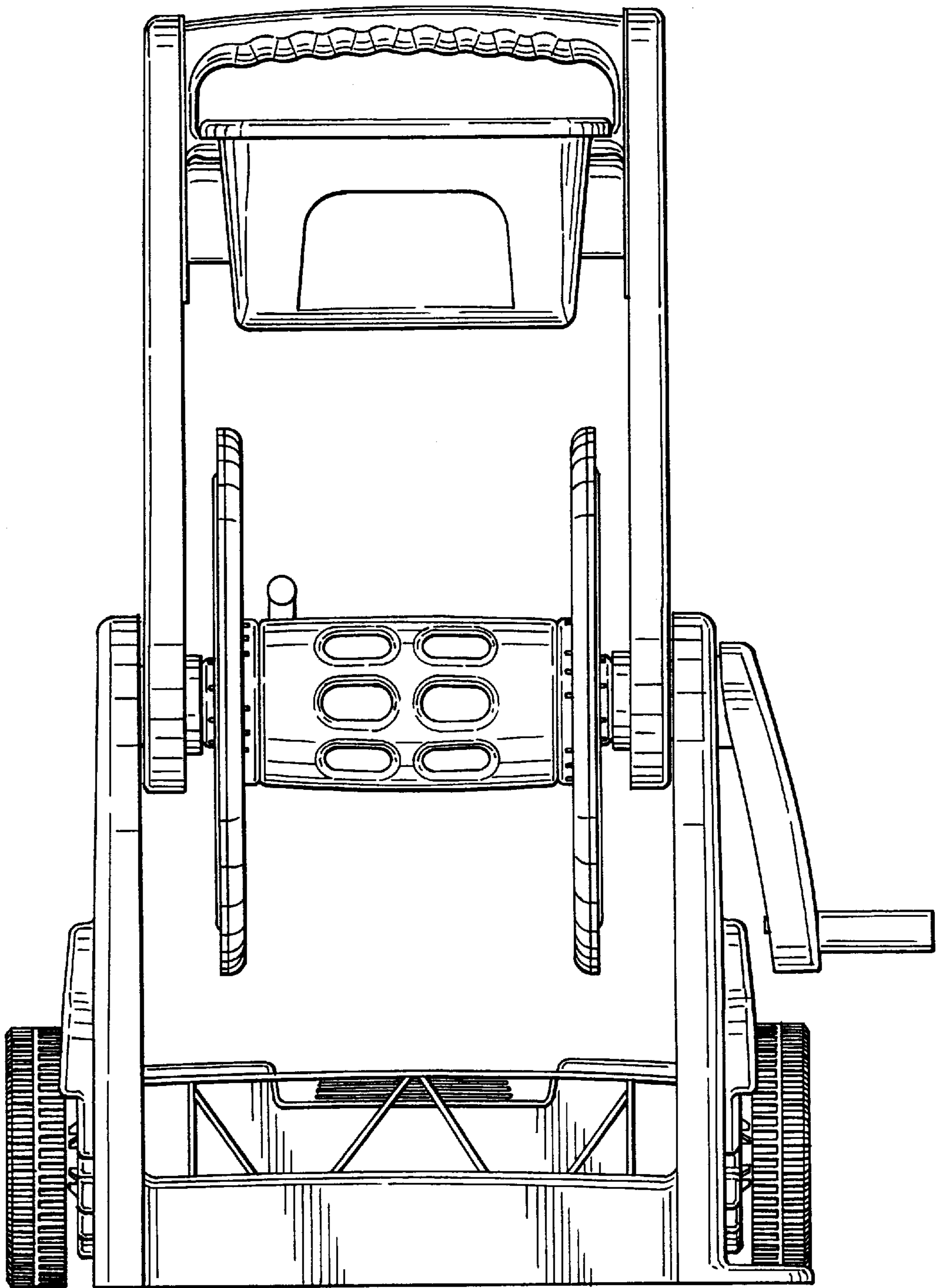


FIG. 5

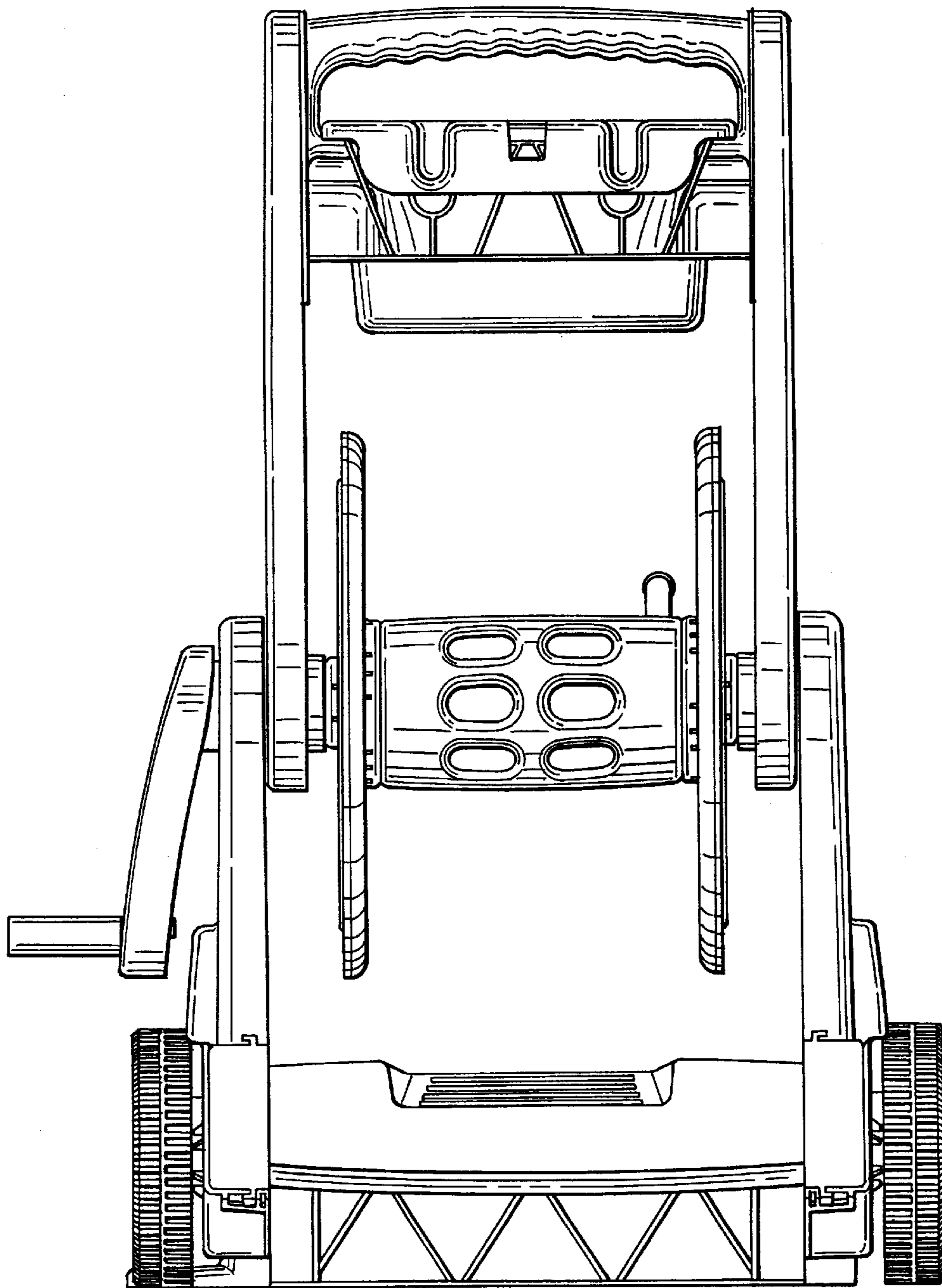




FIG. 6

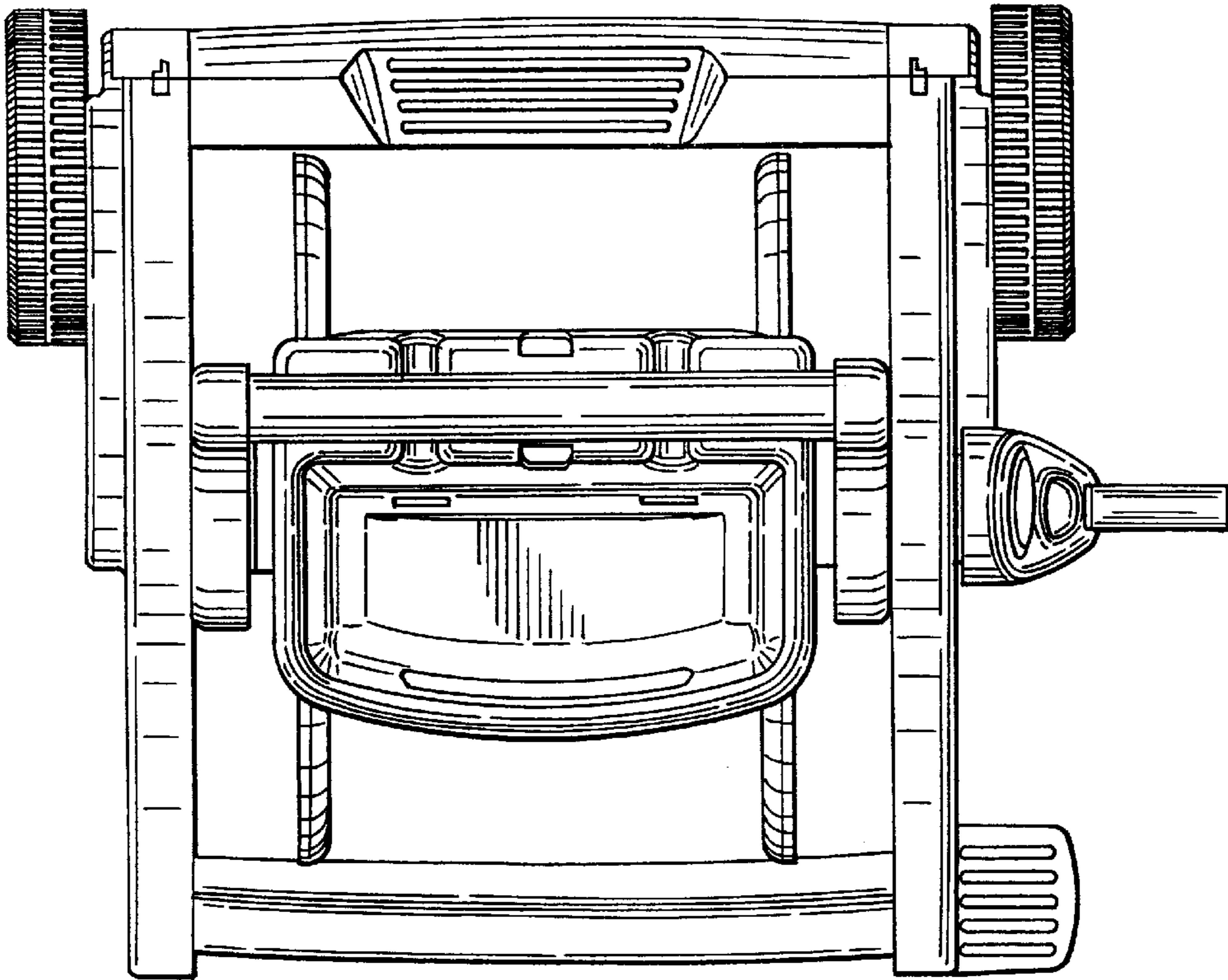


FIG. 7

