



US00D417535S

**United States Patent** [19]  
**Wright et al.**

[11] **Patent Number: Des. 417,535**

[45] **Date of Patent: \*\* Dec. 7, 1999**

[54] **GOLF SHOE CLEANING DEVICE**

2,857,173 10/1958 Benander .  
3,065,478 11/1962 Lawrin .  
5,345,641 9/1994 Webster ..... 15/105

[76] Inventors: **James W. Wright**, 8481 N. Johnson Rd., Belding, Mich. 48809; **Stephen R. Powell**, 2452 Brockton Cir., Naperville, Ill. 60565

*Primary Examiner*—Alan P. Douglas  
*Assistant Examiner*—Cynthia E. Ramirez

[\*\*] Term: **14 Years**

[57] **CLAIM**

[21] Appl. No.: **29/086,339**

The ornamental design for a golf shoe cleaning device, as shown and described.

[22] Filed: **May 21, 1997**

**DESCRIPTION**

[51] **LOC (6) Cl.** ..... **98-99**

[52] **U.S. Cl.** ..... **D32/47**

[58] **Field of Search** ..... D32/47, 35, 46;  
15/110, 112, 160, 161, 237, 105; D4/118,  
119, 120, 130

FIG. 1 is a perspective view of the golf shoe cleaning device showing our new design, it being understood that the broken lines showing of a golf car are for illustration purposes only and form no part of the claimed design;

FIG. 2 is an enlarged side and front perspective view thereof;

FIG. 3 is a front elevational view thereof; and,

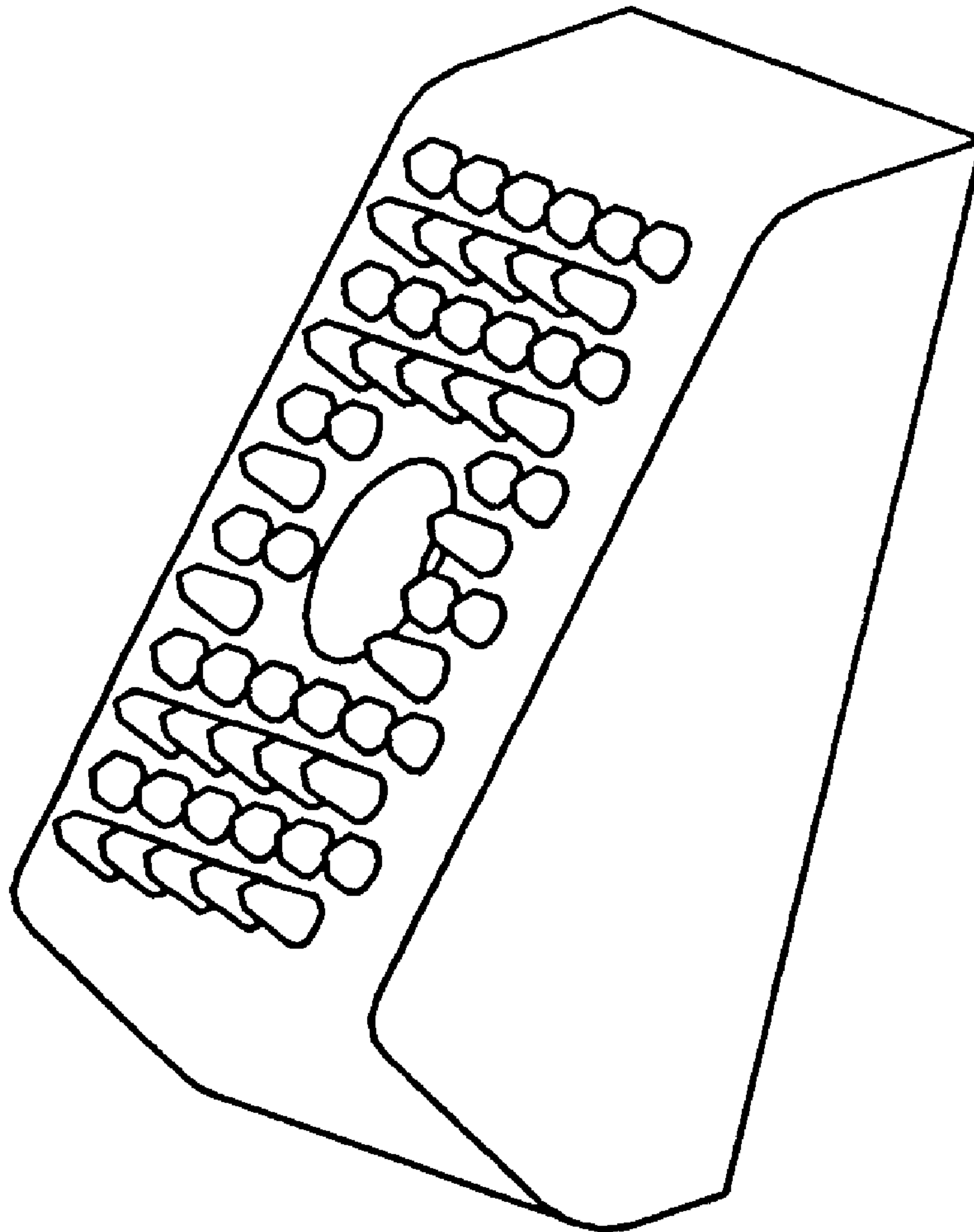
FIG. 4 is a right side elevational view thereof, the other side being a mirror image.

[56] **References Cited**

**U.S. PATENT DOCUMENTS**

92,026 6/1869 Farrington .  
D. 372,569 8/1996 Rook ..... D32/47

**1 Claim, 1 Drawing Sheet**



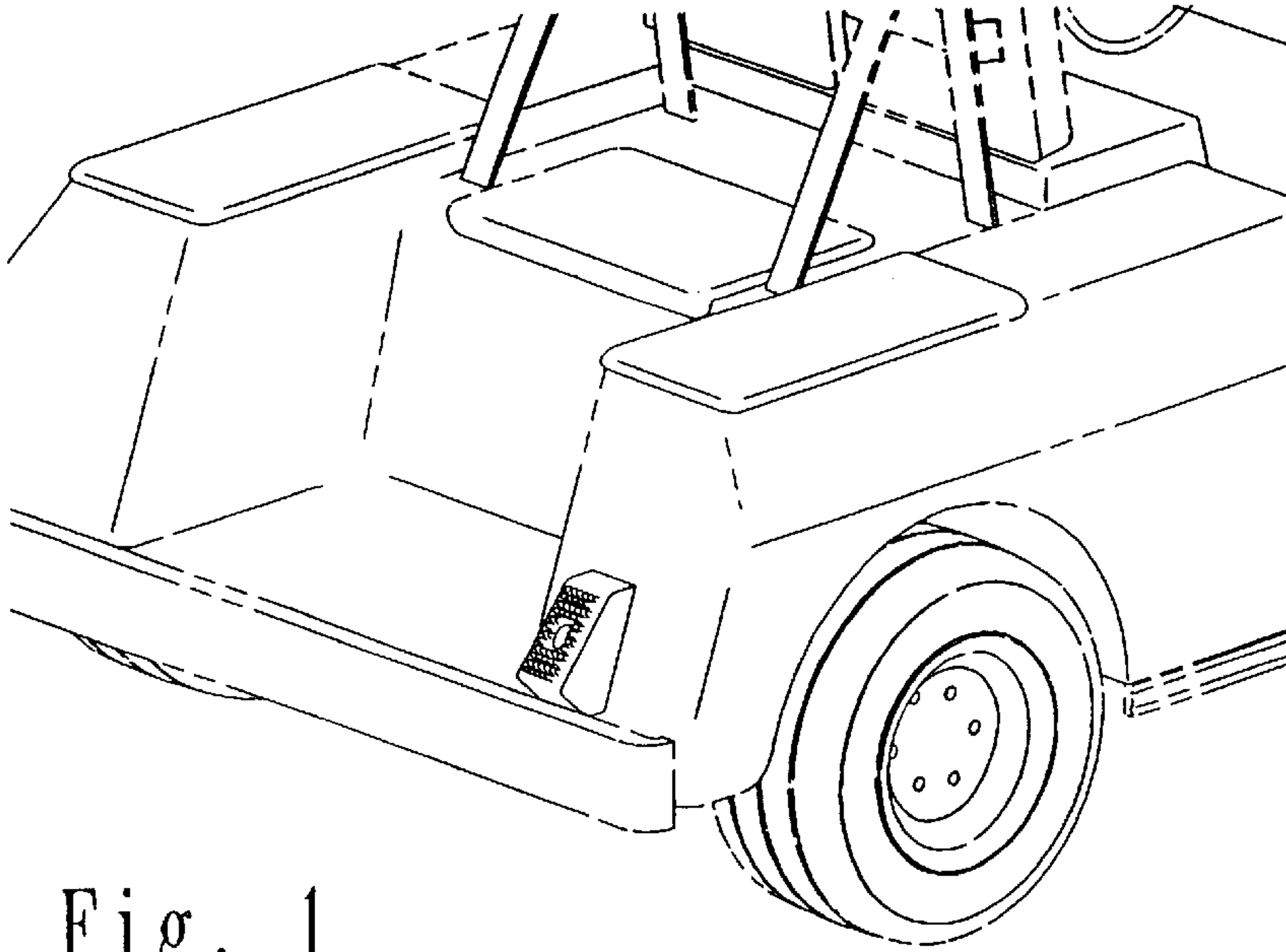


Fig. 1

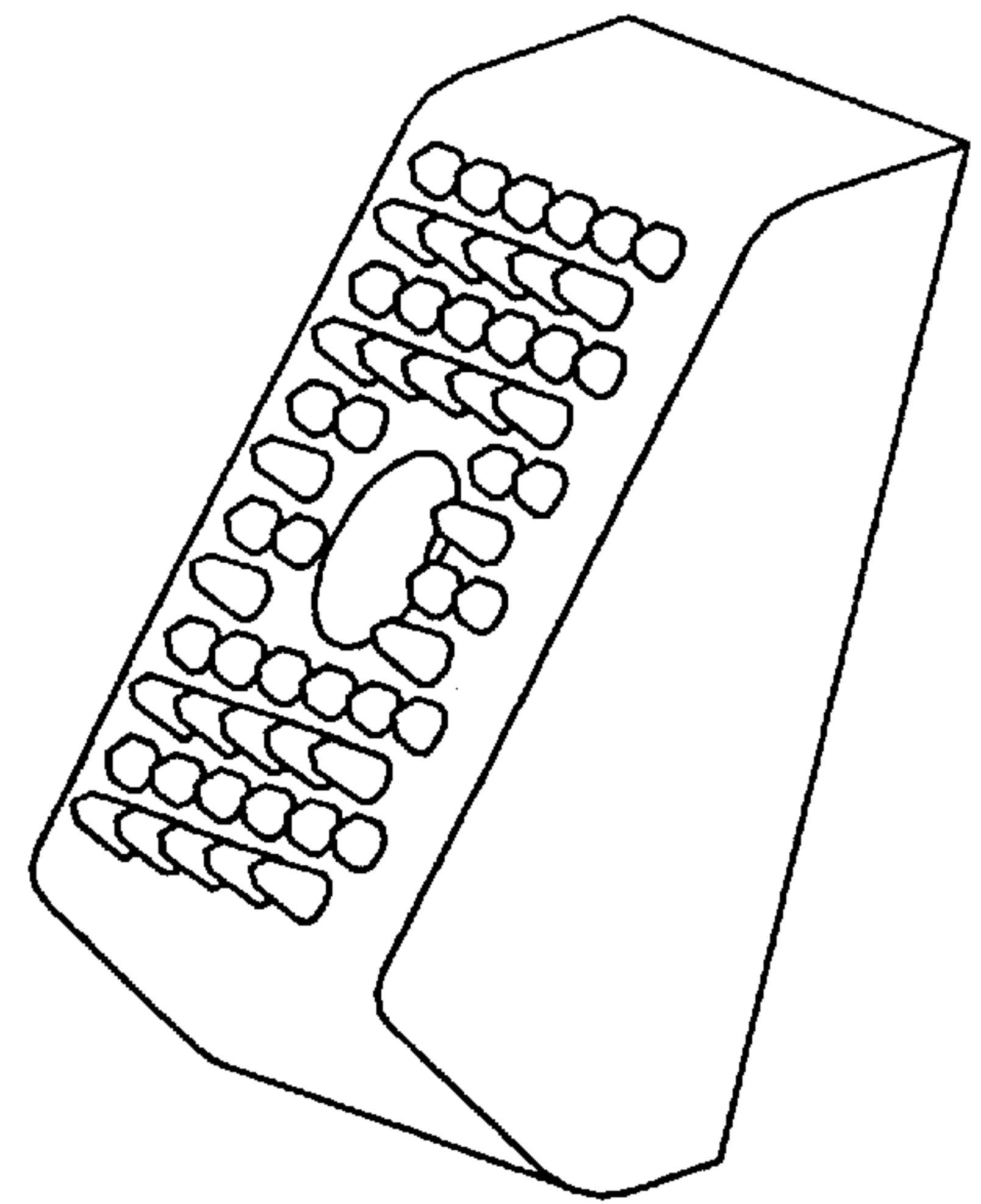


Fig. 2

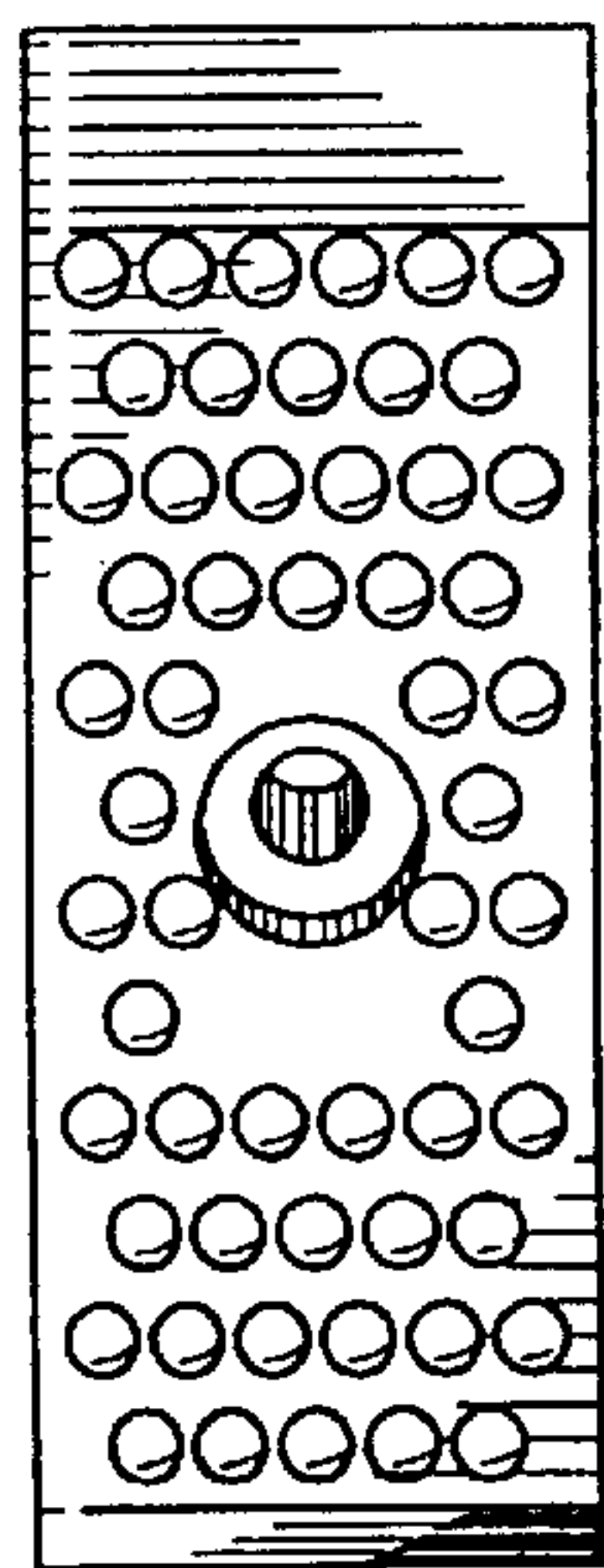


Fig. 3

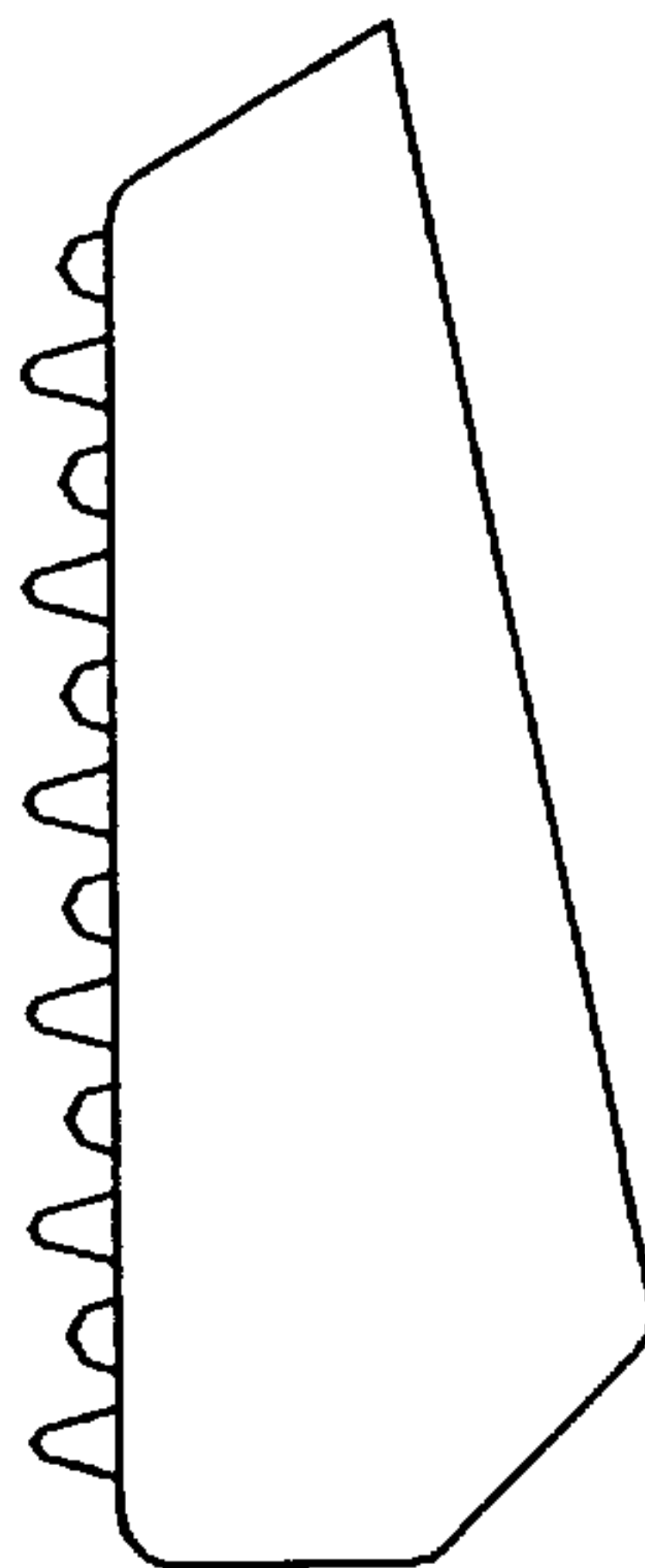


Fig. 4