



US00D417534S

# United States Patent [19]

Holston et al.

[11] Patent Number: **Des. 417,534**

[45] Date of Patent: **\*\* Dec. 7, 1999**

[54] **COMBINED VACUUM CLEANER MUFFLER AND DEFLECTOR**

[75] Inventors: **Stuart V. Holston, O'Fallon; Kiyoshi Hoshino**, Chesterfield, both of Mo.

[73] Assignee: **Emerson Electric Co.**, St. Louis, Mo.

[\*\*] Term: **14 Years**

[21] Appl. No.: **29/089,900**

[22] Filed: **Jun. 24, 1998**

[51] **LOC (6) Cl.** ..... **15-05**

[52] **U.S. Cl.** ..... **D32/31**

[58] **Field of Search** ..... D32/31, 21, 23, D32/24, 25, 30; 15/323, 325, 326, 327.1, 327.2, 321, 347, 353; 96/382; 181/256, 230; 55/368, 375, 380, DIG. 21, 374

[56] **References Cited**

**U.S. PATENT DOCUMENTS**

D. 275,333	8/1984	Williams et al.	.....	D32/31
D. 299,772	2/1989	Smith	.....	D32/31
D. 300,574	4/1989	Smith	.....	D32/31
2,253,310	8/1941	Smellie	.	
2,328,236	8/1943	Stoner	.	
4,015,683	4/1977	Williams	.	
4,299,305	11/1981	Eriksson	.....	181/230
4,597,130	7/1986	Lyman	.....	15/327.1

5,340,952	8/1994	Takiguchi	.....	181/282
5,353,469	10/1994	Fellhauer	.....	15/326
5,400,463	3/1995	Attard et al.	.....	15/326
5,464,460	11/1995	Bosses	.....	55/374
5,513,417	5/1996	Kim et al.	.....	15/326
5,765,257	6/1998	Steger et al.	.....	15/326

**FOREIGN PATENT DOCUMENTS**

4418433	12/1994	Germany	.
3-295525	4/1990	Japan	.

*Primary Examiner*—Ruth McInroy  
*Attorney, Agent, or Firm*—Arnold, White & Durkee

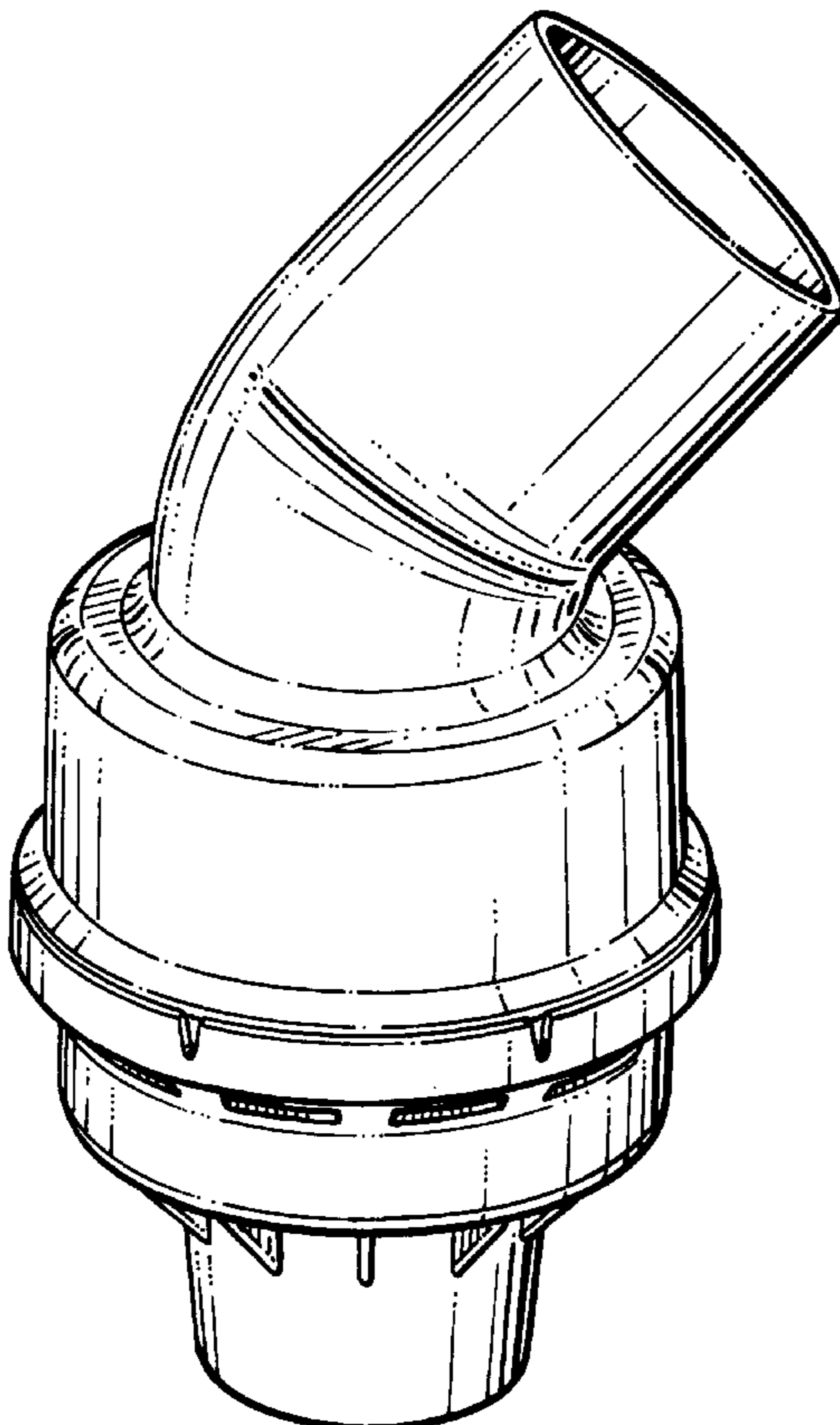
[57] **CLAIM**

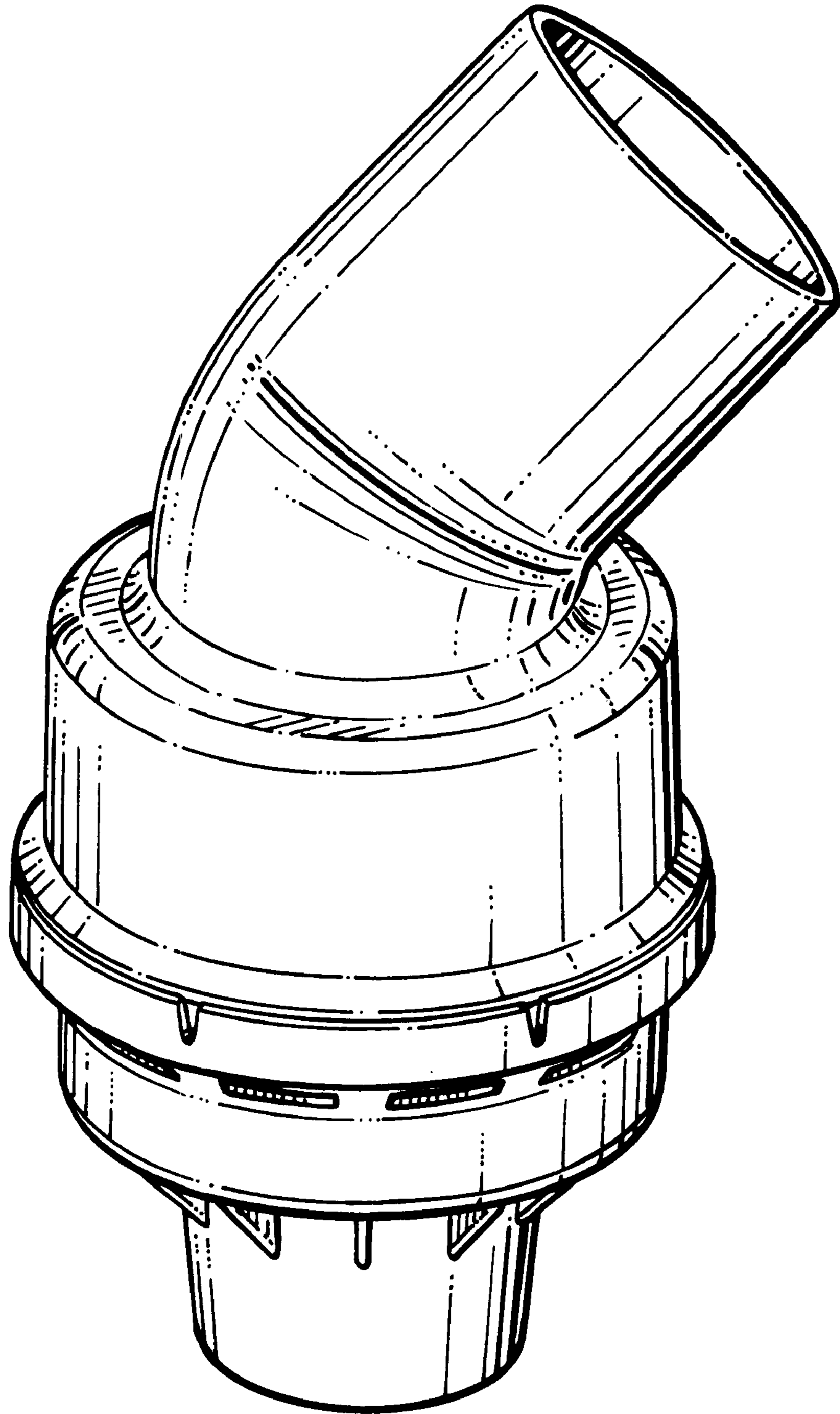
The ornamental design for a combined vacuum cleaner muffler and deflector, as shown and described.

**DESCRIPTION**

FIG. 1 is a perspective view of a combined vacuum cleaner muffler and deflector showing our new design; FIG. 2 is a side elevational view thereof; FIG. 3 is a side elevational view of the opposite side of FIG. 2; FIG. 4 is a bottom view thereof; FIG. 5 is a top view thereof; FIG. 6 is an end elevational view thereof; and, FIG. 7 is an end elevational view of the opposite side of FIG. 6.

**1 Claim, 4 Drawing Sheets**





**FIG. 1**

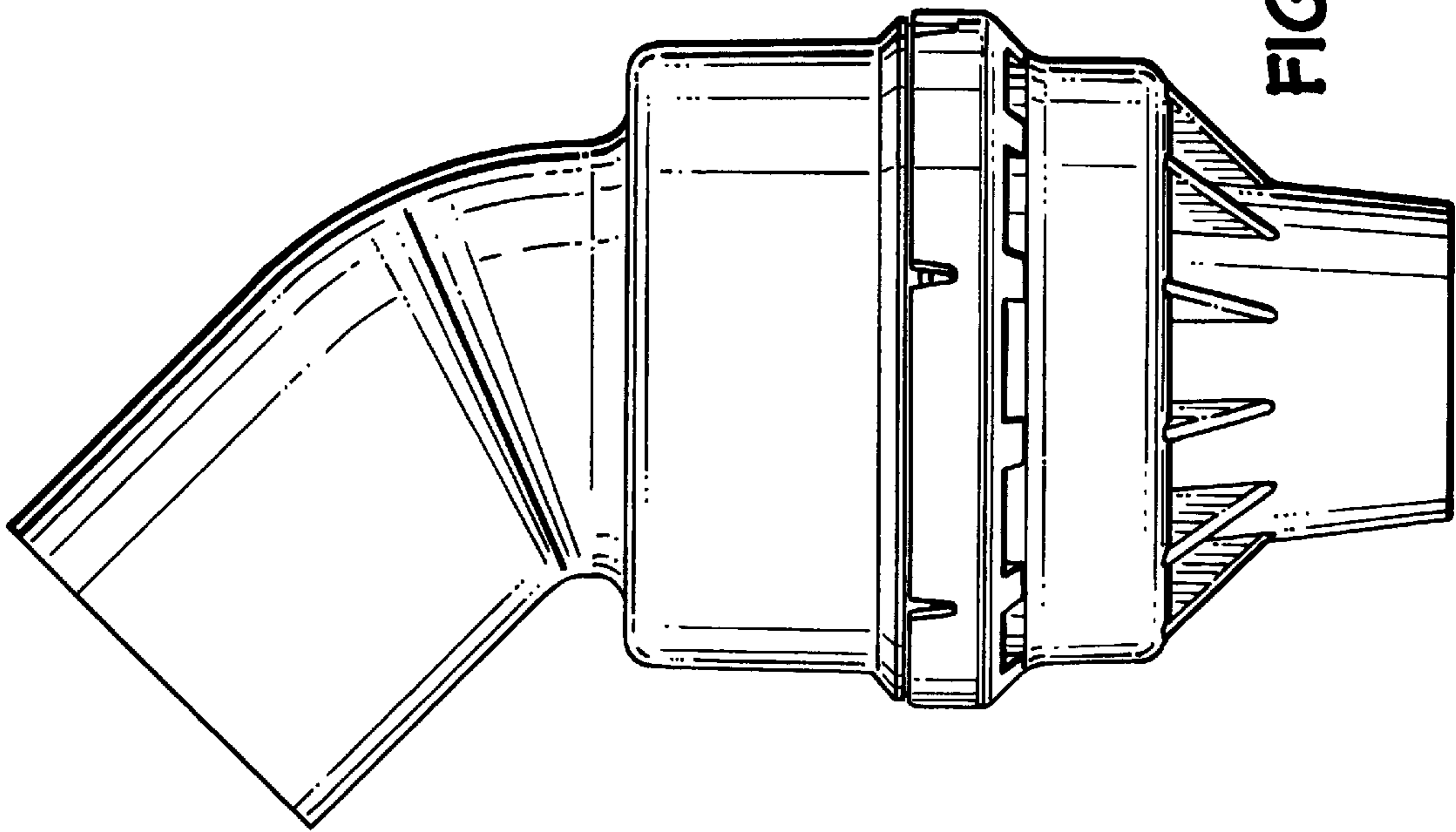


FIG. 3

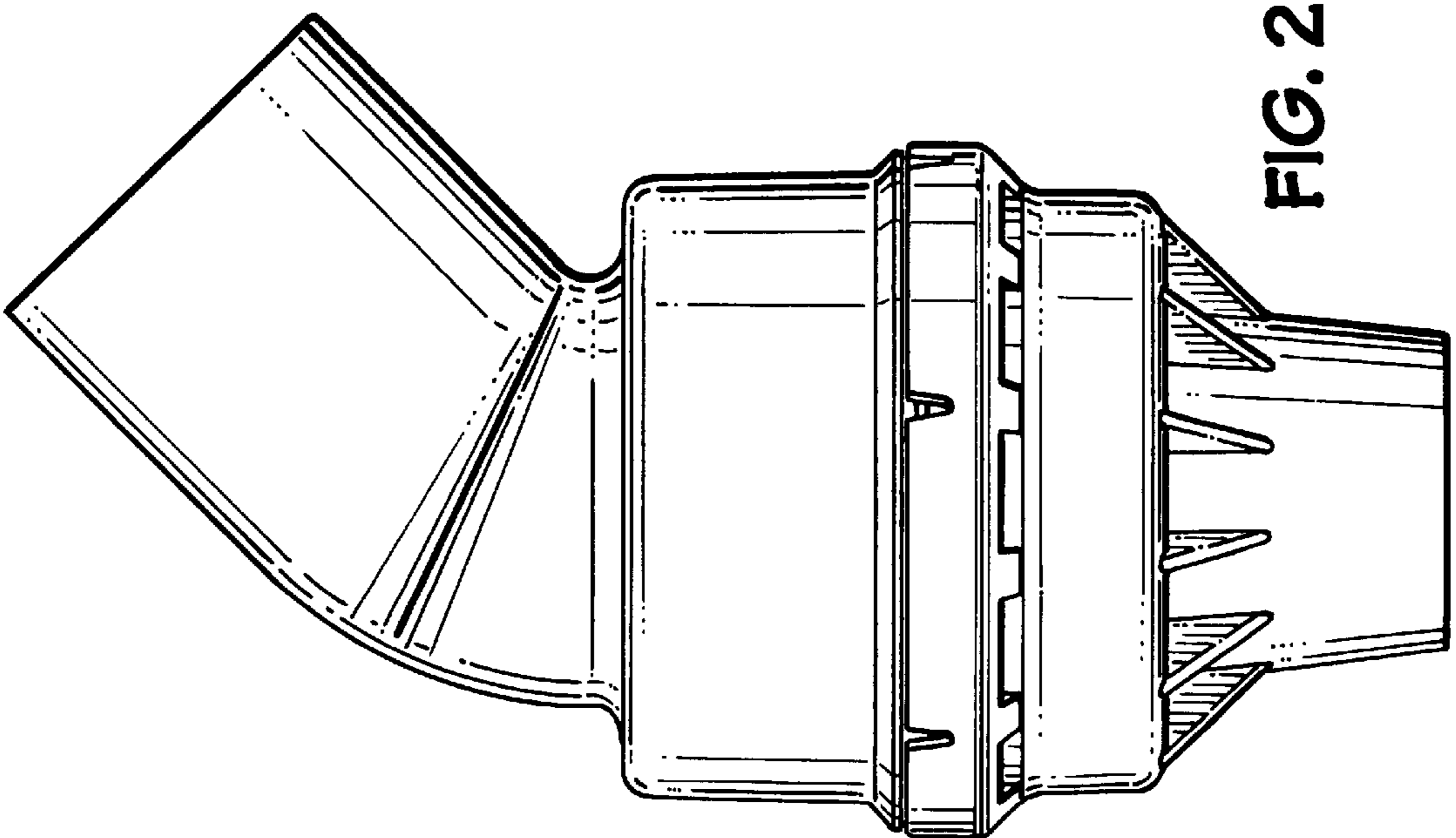


FIG. 2

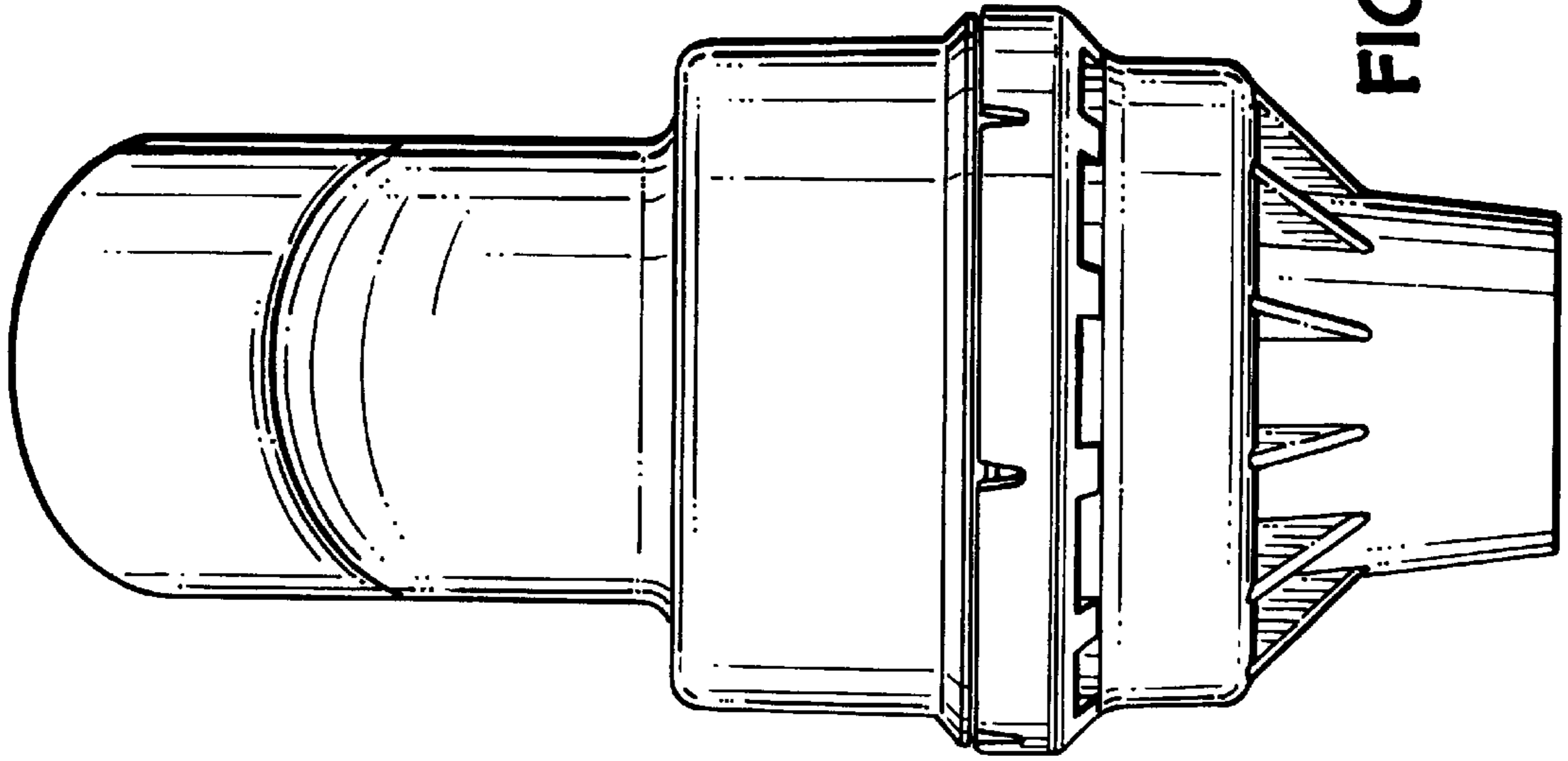


FIG. 5

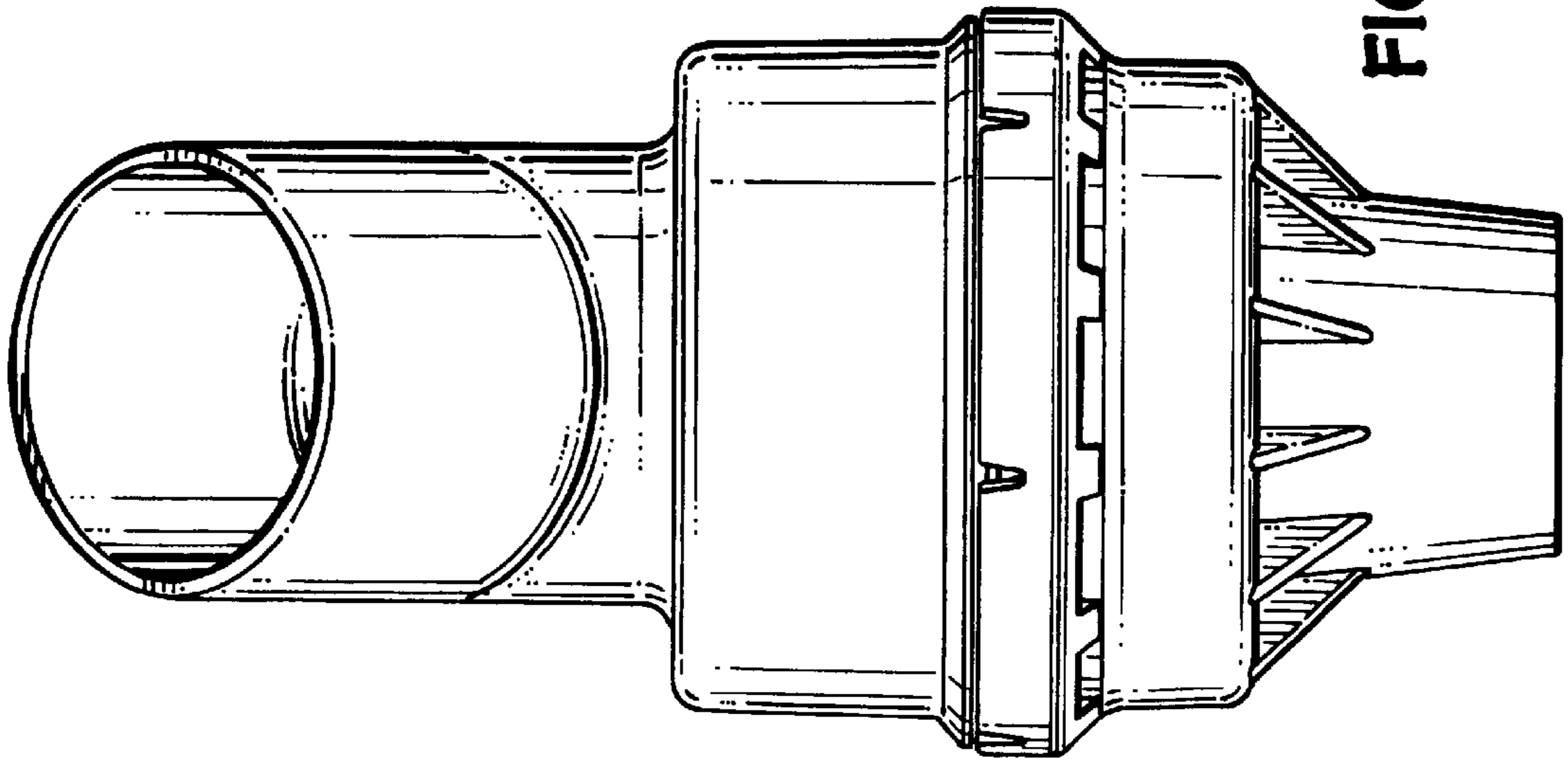
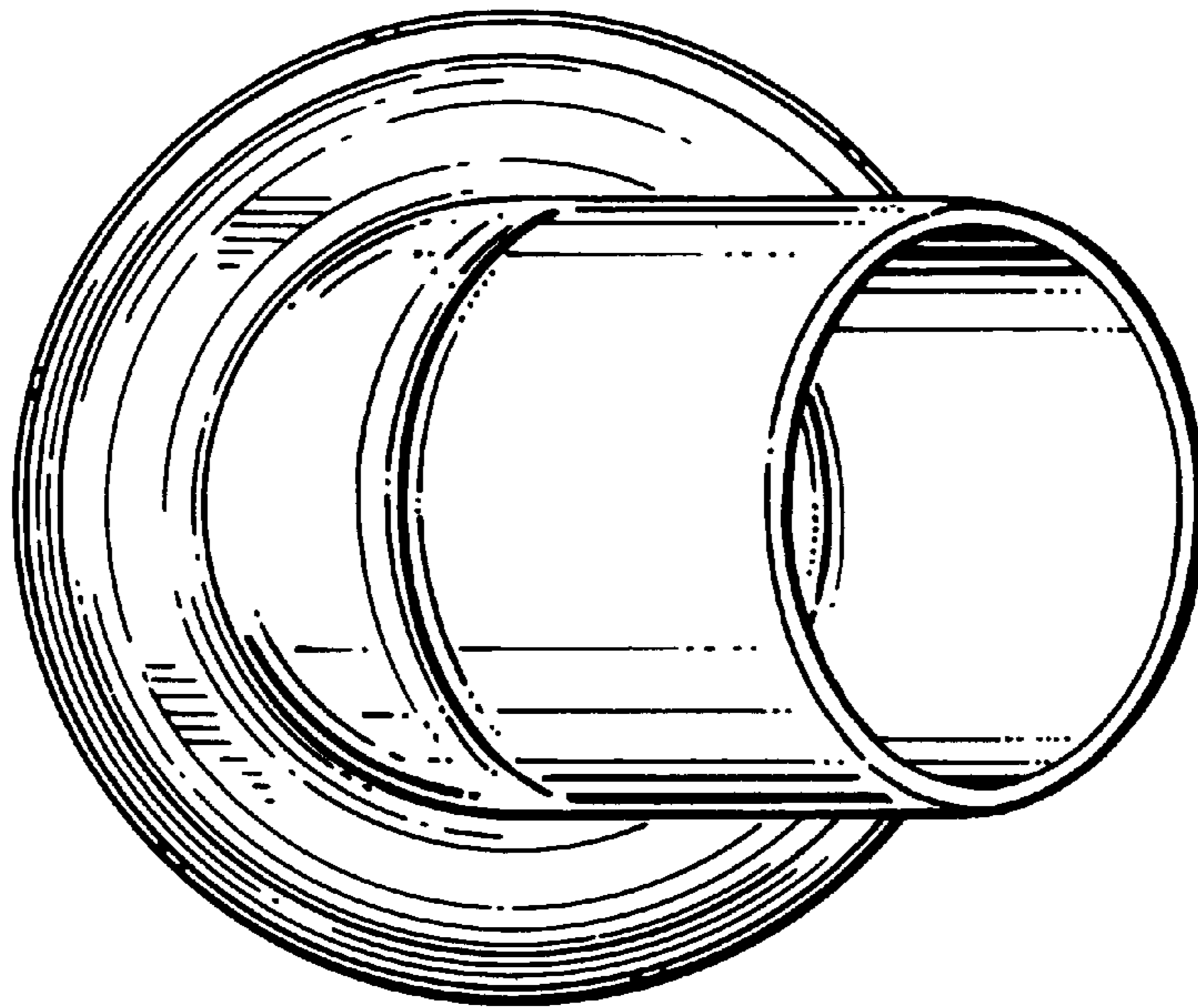


FIG. 4

**FIG. 6**



**FIG. 7**

