



US00D417533S

United States Patent [19]

Burchard et al.

[11] Patent Number: Des. 417,533

[45] Date of Patent: ** Dec. 7, 1999

[54] VACUUM CLEANER

[75] Inventors: **Thomas H. Burchard**, Winchester;
Michel D. Arney, Needham;
Youngmihn Kim, Lexington; **Jonas R. Brickus**, Boston, all of Mass.

[73] Assignee: **Fantom Technologies Inc.**, Welland, Canada

[**] Term: **14 Years**

[21] Appl. No.: **29/088,291**

[22] Filed: **May 20, 1998**

4,571,772	2/1986	Dyson	15/335
4,573,236	3/1986	Dyson	15/333
4,593,429	6/1986	Dyson	15/353
4,643,748	2/1987	Dyson	55/338
4,826,515	5/1989	Dyson	55/345
4,853,008	8/1989	Dyson	55/345
4,853,011	8/1989	Dyson	55/345
5,062,870	11/1991	Dyson	55/213
5,078,761	1/1992	Dyson	55/213
5,090,976	2/1992	Dyson	55/337
5,101,532	4/1992	Dyson et al.	15/320
5,145,499	9/1992	Dyson	55/337
5,160,356	11/1992	Dyson	55/345
5,267,371	12/1993	Soler et al.	15/327.5
5,558,697	9/1996	Dyson	95/12

Related U.S. Application Data

[63] Continuation of application No. 29/076,472, Sep. 15, 1997.

[30] Foreign Application Priority Data

Jul. 15, 1997 [CA] Canada 1997-1858

[51] LOC (6) Cl. **15-05**

[52] U.S. Cl. **D32/22**

[58] Field of Search D32/17-18, 21-22,
D32/31-34; 15/320-323, 329, 335, 344,
347, 350-351, 352, 361, 410, 412

[56] References Cited

U.S. PATENT DOCUMENTS

Re. 32,257	10/1986	Dyson	15/335
D. 305,269	12/1989	Dyson	D32/22
D. 309,203	7/1990	Goodrich	D32/22
D. 343,707	1/1994	Dyson	D32/22
D. 365,669	12/1995	Piccaluga et al.	D32/22
D. 375,820	11/1996	Piccaluga et al.	D32/22
D. 407,873	4/1999	Burchard et al.	D32/31
D. 407,874	4/1999	Burchard et al.	D32/31
D. 407,875	4/1999	Burchard et al.	D32/31
4,373,228	2/1983	Dyson	15/350
4,377,882	3/1983	Dyson	15/335

FOREIGN PATENT DOCUMENTS

60796	5/1988	Canada .
63719	7/1989	Canada .
69853	1/1992	Canada .
72278	3/1993	Canada .
73765	1/1994	Canada .
75186	11/1994	Canada .

Primary Examiner—Ruth McInroy
Attorney, Agent, or Firm—Philip C. Mendes da Costa;
Bereskin & Parr

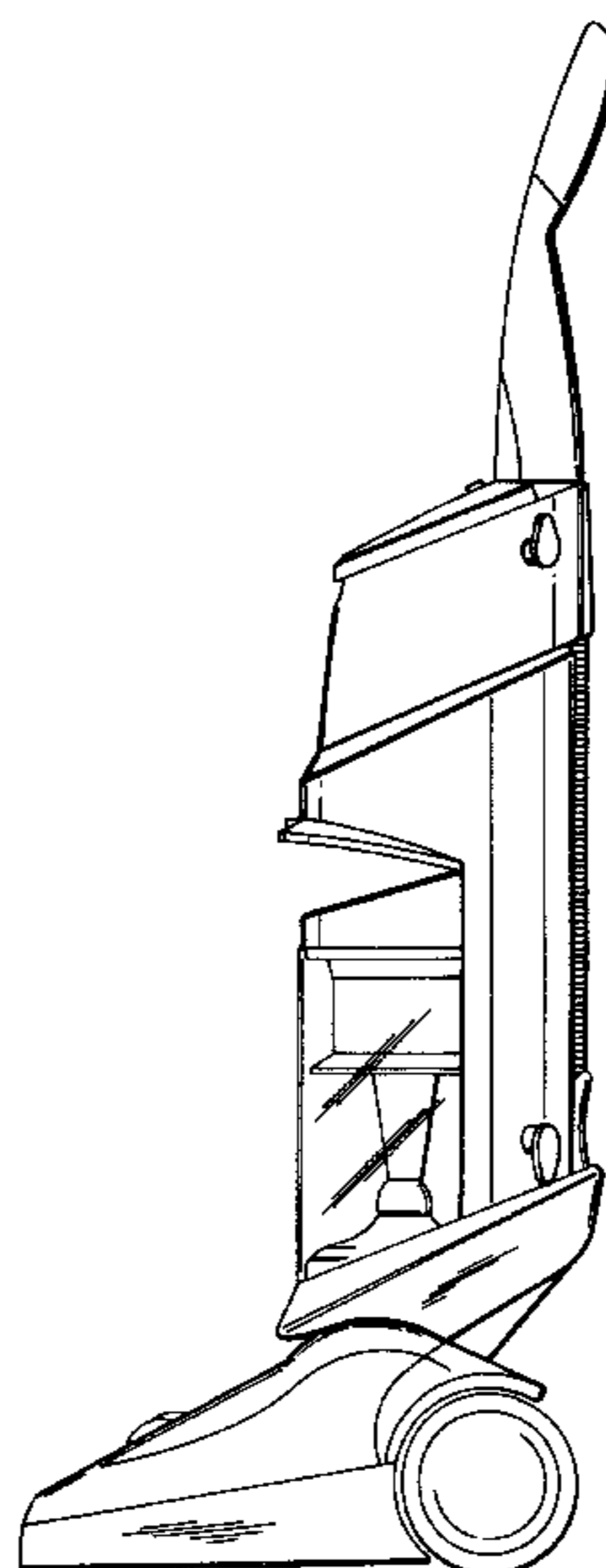
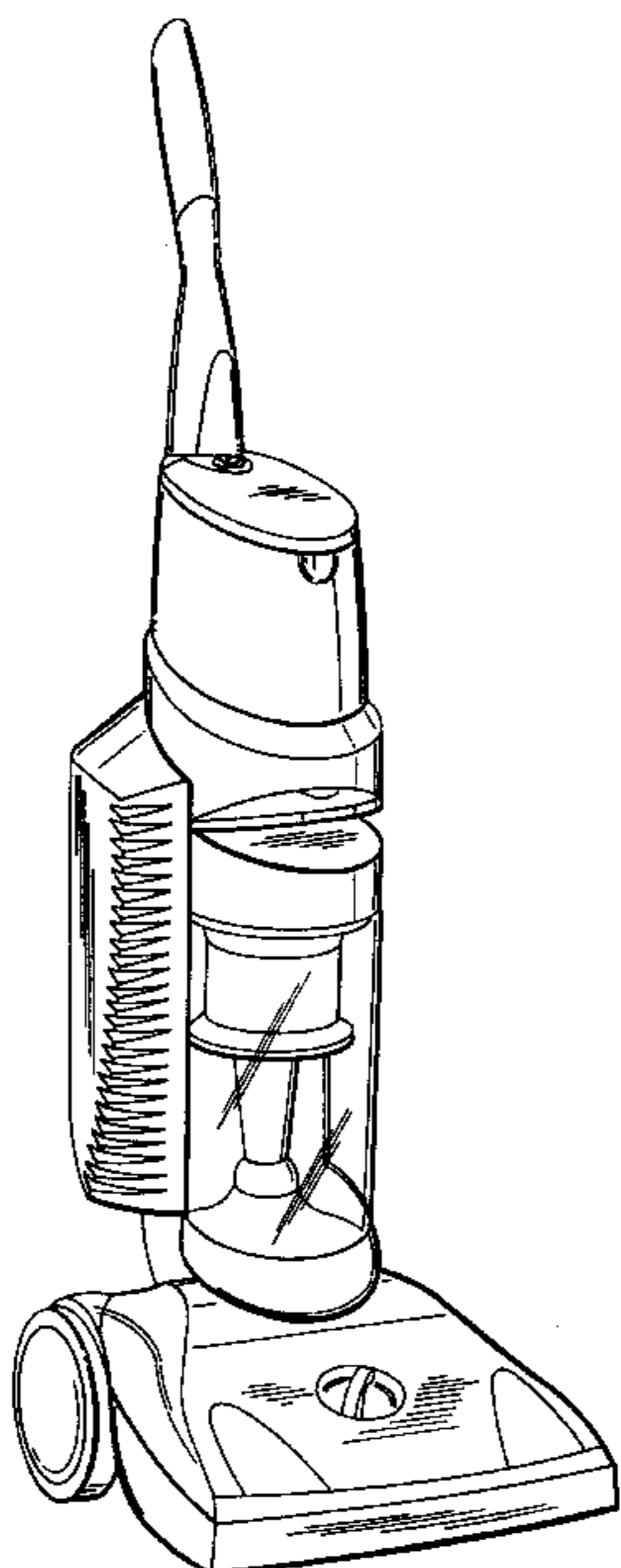
[57] CLAIM

The ornamental design for a vacuum cleaner, as shown and described.

DESCRIPTION

FIG. 1 is a front and left side perspective view of a vacuum cleaner showing our new design;
FIG. 2 is a front elevational view thereof;
FIG. 3 is a right side elevational view thereof;
FIG. 4 is a rear elevational view thereof;
FIG. 5 is a left side elevational view thereof; and,
FIG. 6 is a top plan view thereof.

1 Claim, 3 Drawing Sheets



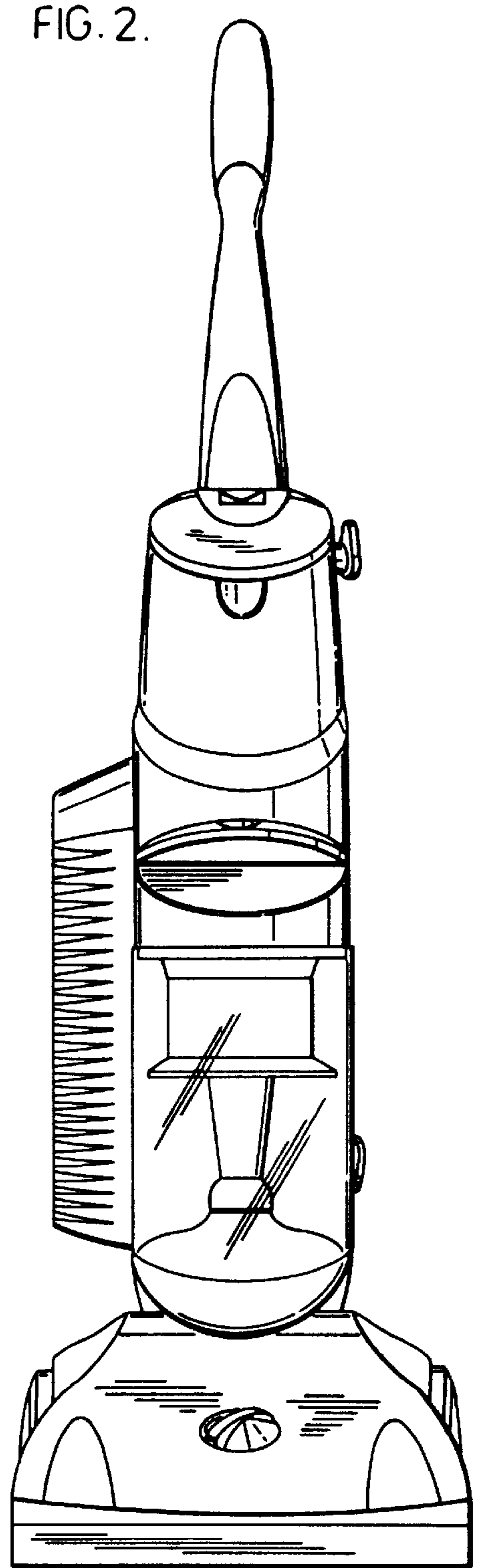
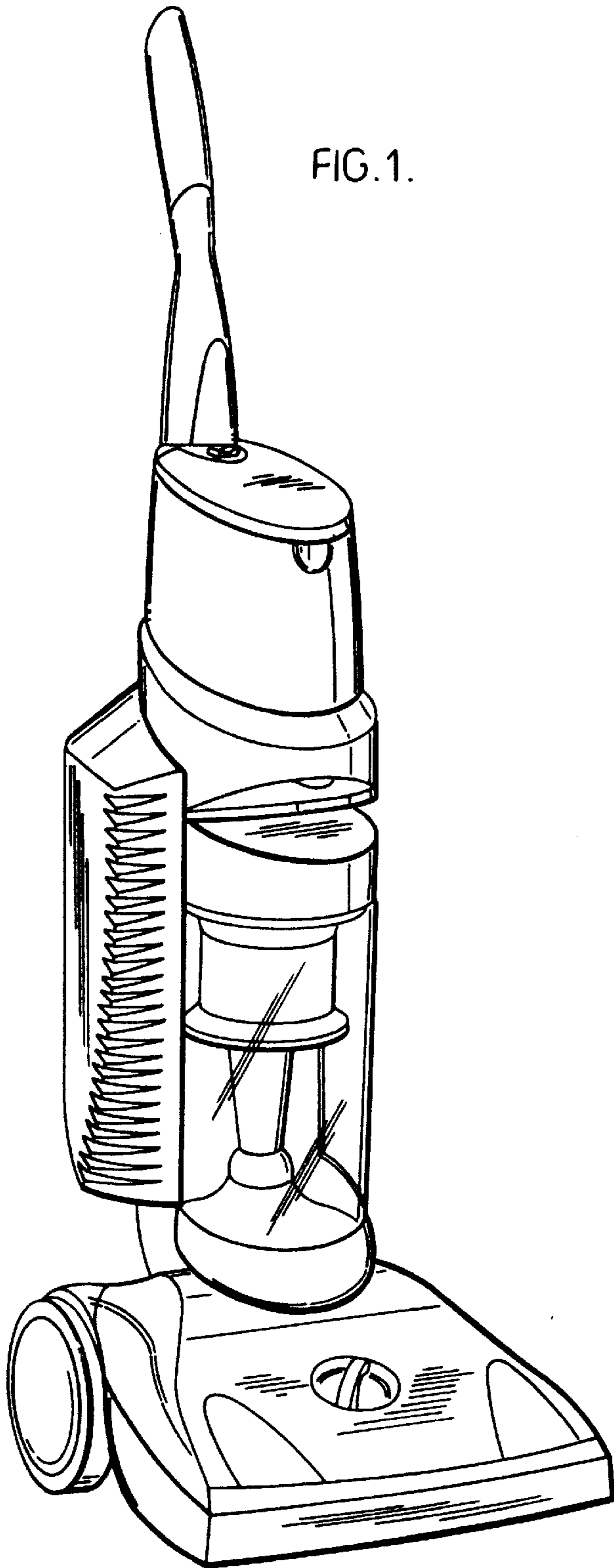


FIG. 3.

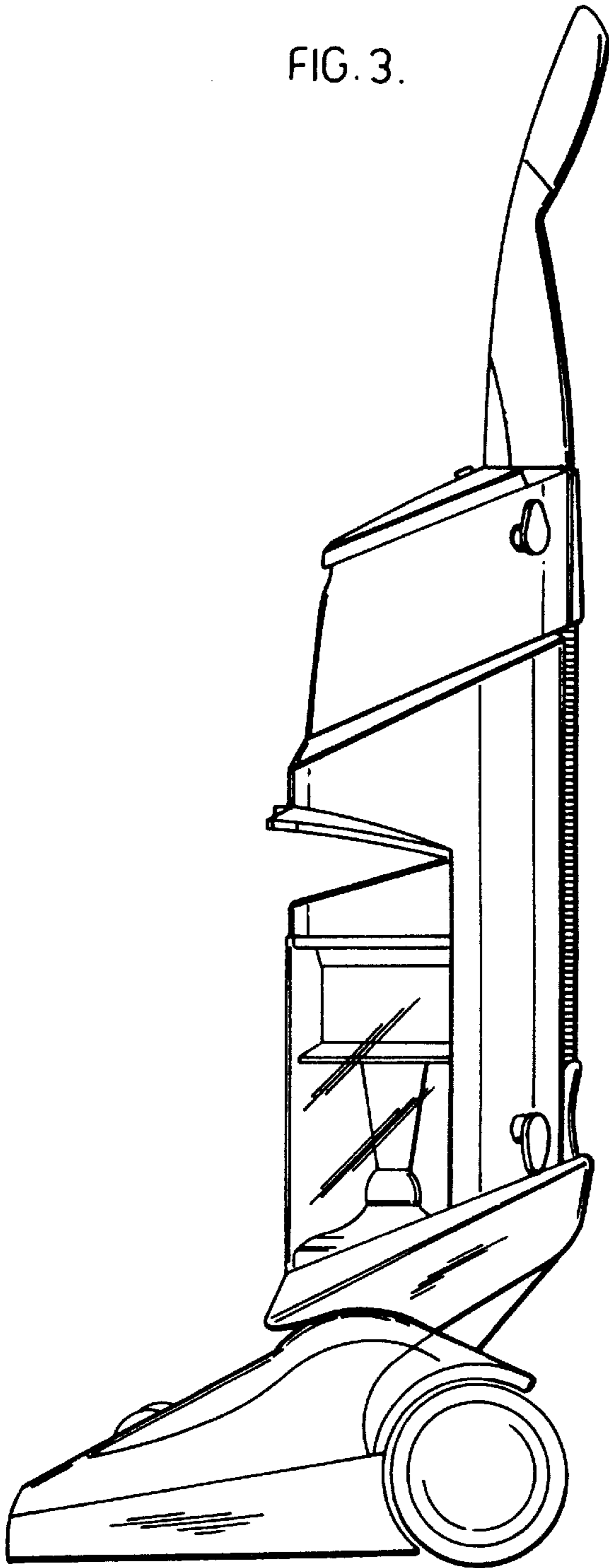


FIG. 4.

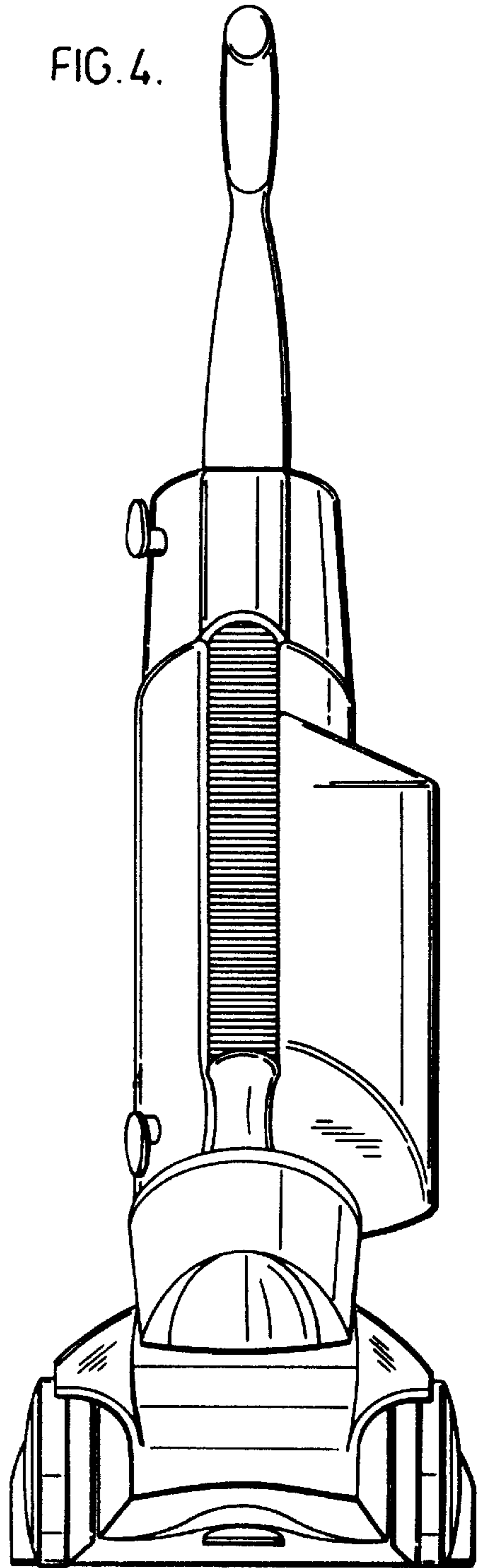


FIG. 5.

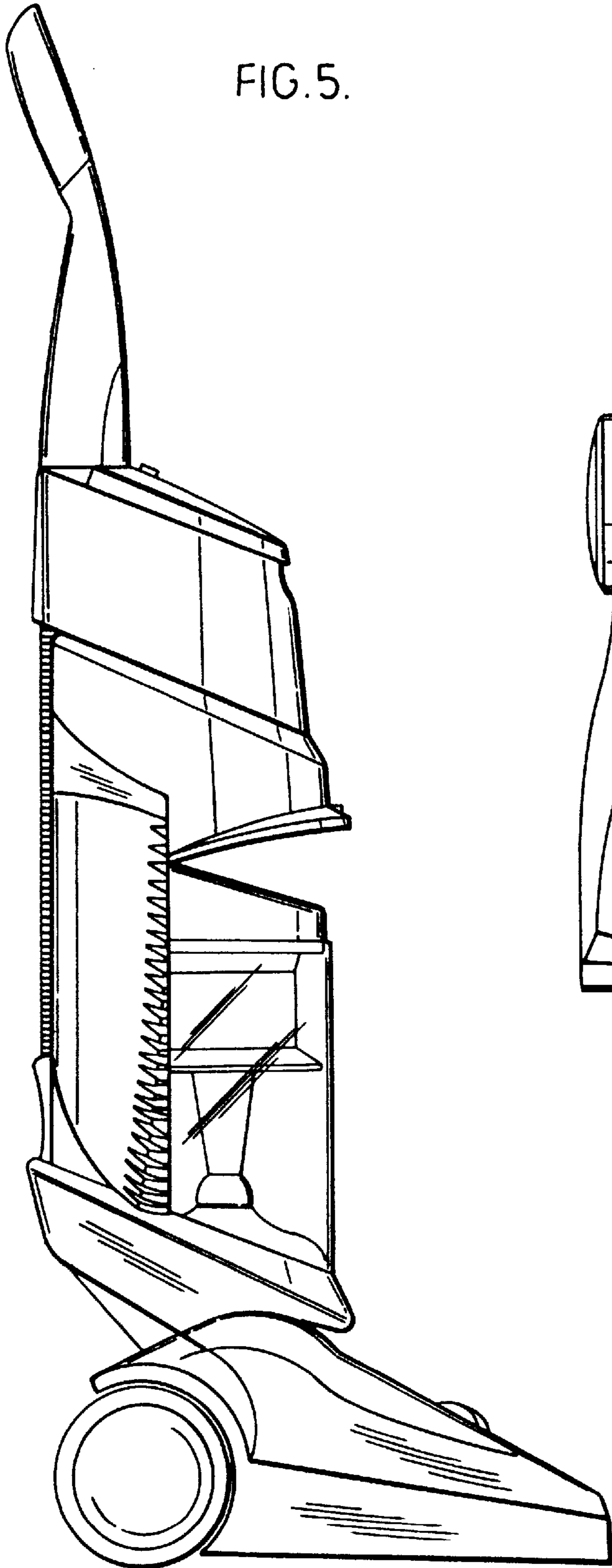


FIG. 6.

