



US00D417532S

**United States Patent** [19]  
**Worsham**

[11] **Patent Number: Des. 417,532**

[45] **Date of Patent: \*\* Dec. 7, 1999**

[54] **BALL MOVING SYSTEM**

[75] Inventor: **Jack W. Worsham**, Greensboro, N.C.

[73] Assignee: **Intertech Corporation**, Greensboro, N.C.

[\*\*] Term: **14 Years**

[21] Appl. No.: **29/096,389**

[22] Filed: **Nov. 12, 1998**

[51] **LOC (6) Cl.** ..... **15-05**

[52] **U.S. Cl.** ..... **D32/1; D21/791; D15/199**

[58] **Field of Search** ..... **D15/199; D21/791; D32/1; 209/363; 482/35; 406/182; 273/395; D34/1; 134/34.6; 15/21.2, 3.13, 302, 97.1**

[56] **References Cited**

**U.S. PATENT DOCUMENTS**

5,890,249 4/1999 Hoffman ..... 15/4  
5,913,982 6/1999 Phillips ..... 134/6

*Primary Examiner*—Antoine Duval Davis

[57] **CLAIM**

The ornamental design for a ball moving system, as shown and described.

**DESCRIPTION**

FIG. 1 is a front elevational view of the ball moving system of the present invention;

FIG. 2 is a right side elevational view of the system of FIG. 1;

FIG. 3 is a left side elevational view of the system of FIG. 1;

FIG. 4 is a top plan view of the system of FIG. 1;

FIG. 5 is a bottom plan view of the system of FIG. 1; and

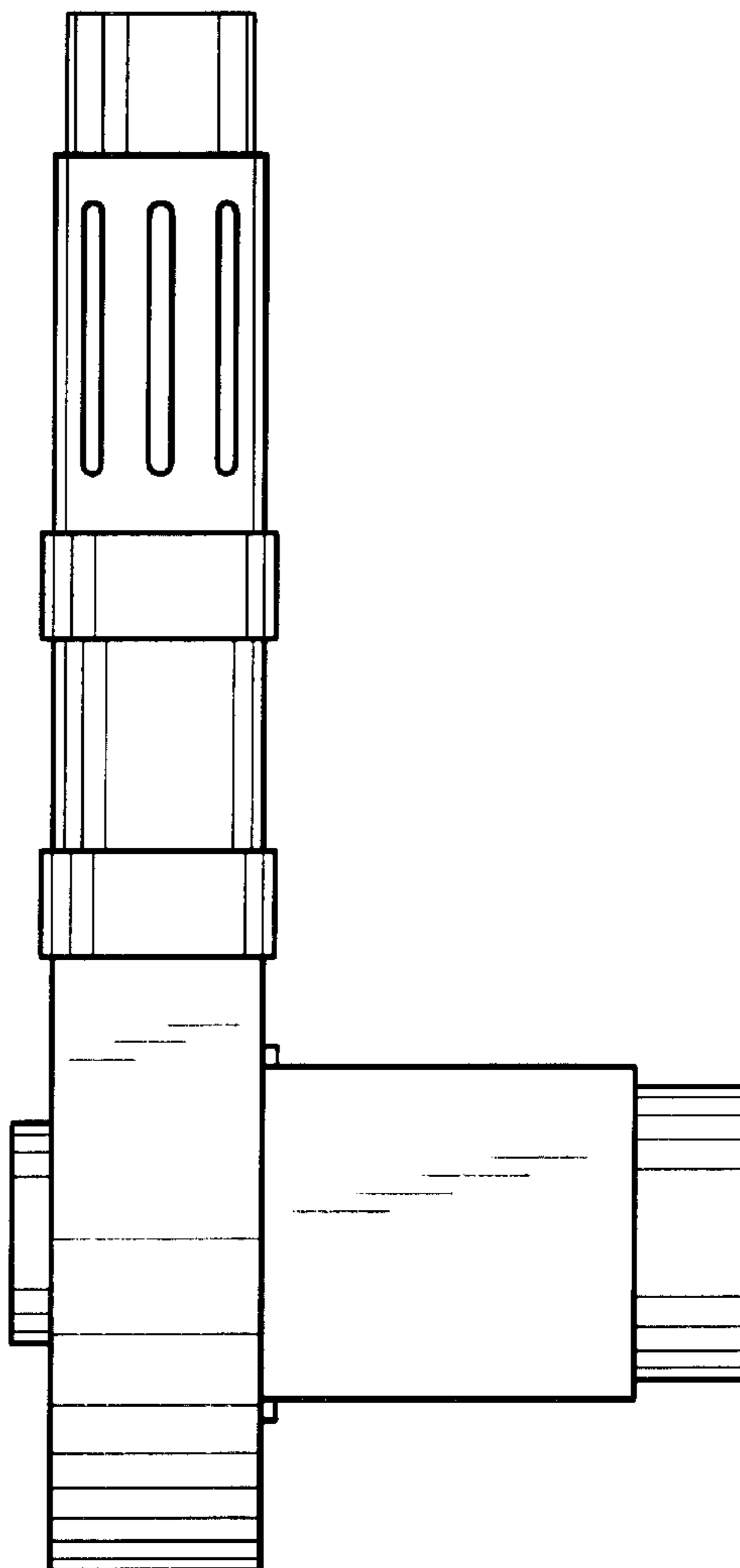
FIG. 6 is a back elevational view of the system of FIG. 1.

FIG. 7 is a front elevational view of an alternate ball moving system of the present invention;

FIG. 8 is right side elevational view of the system of FIG. 7; and,

FIG. 9 is left side elevational view of the system of FIG. 7, the top, bottom and back views being identical to FIGS. 4-6 respectively.

**1 Claim, 5 Drawing Sheets**



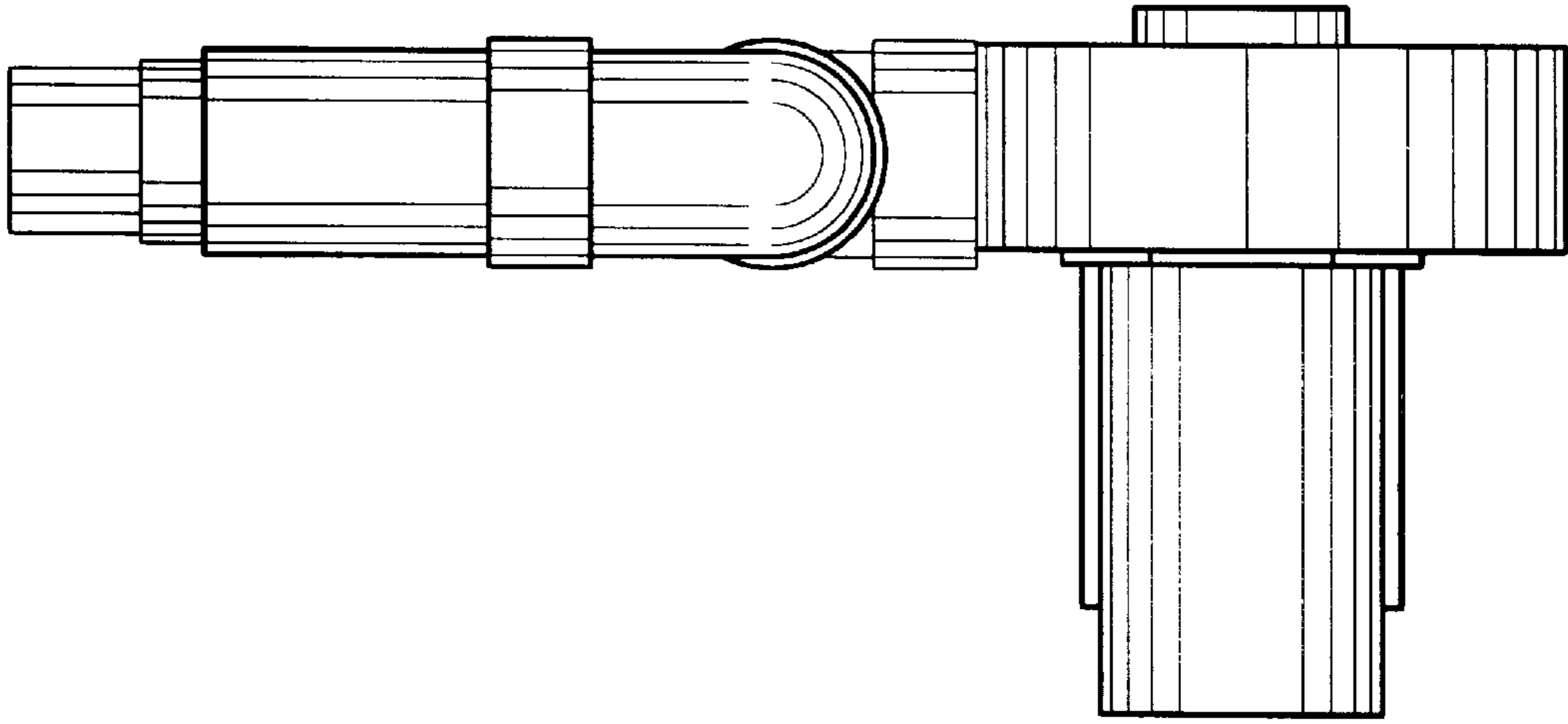


FIG. 6

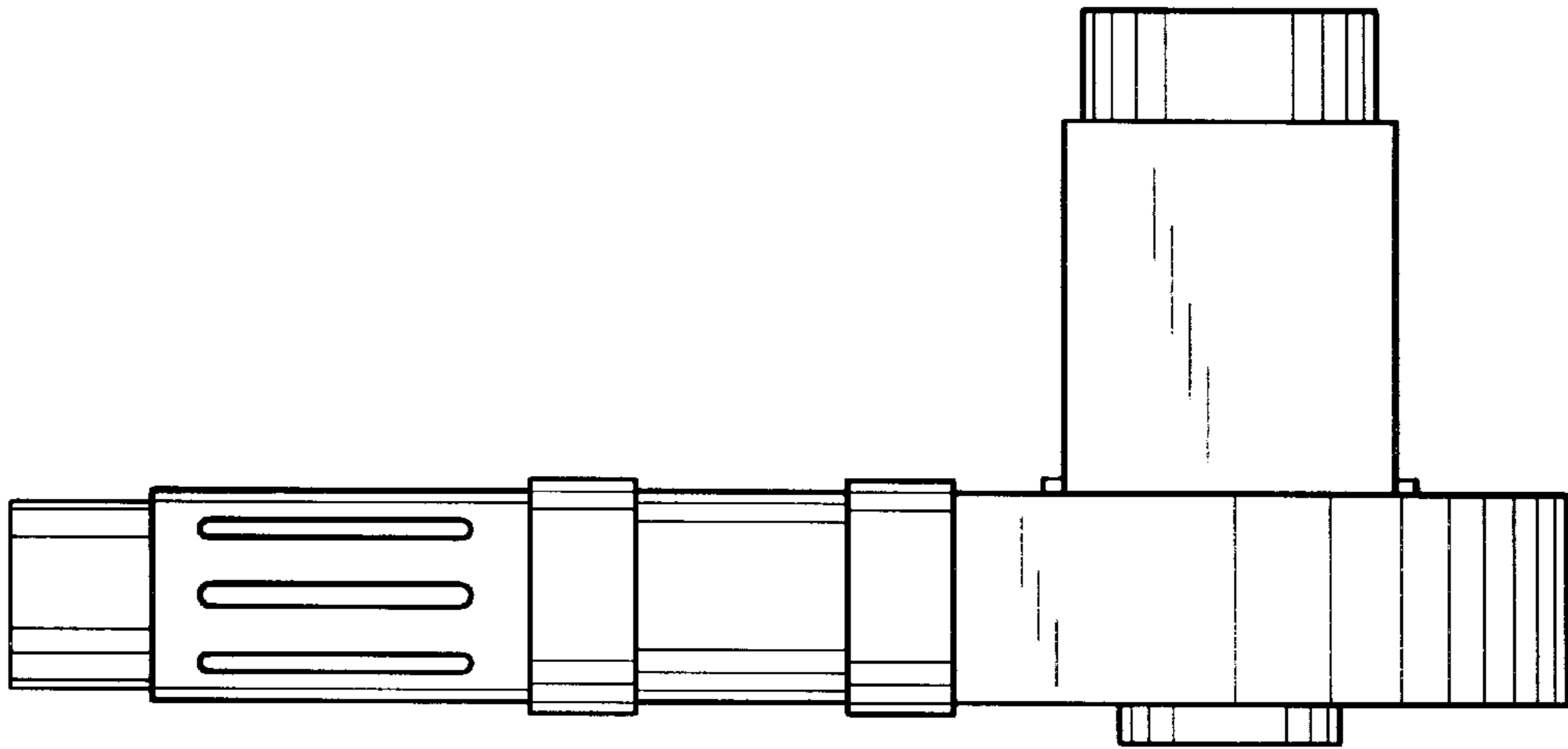


FIG. 1

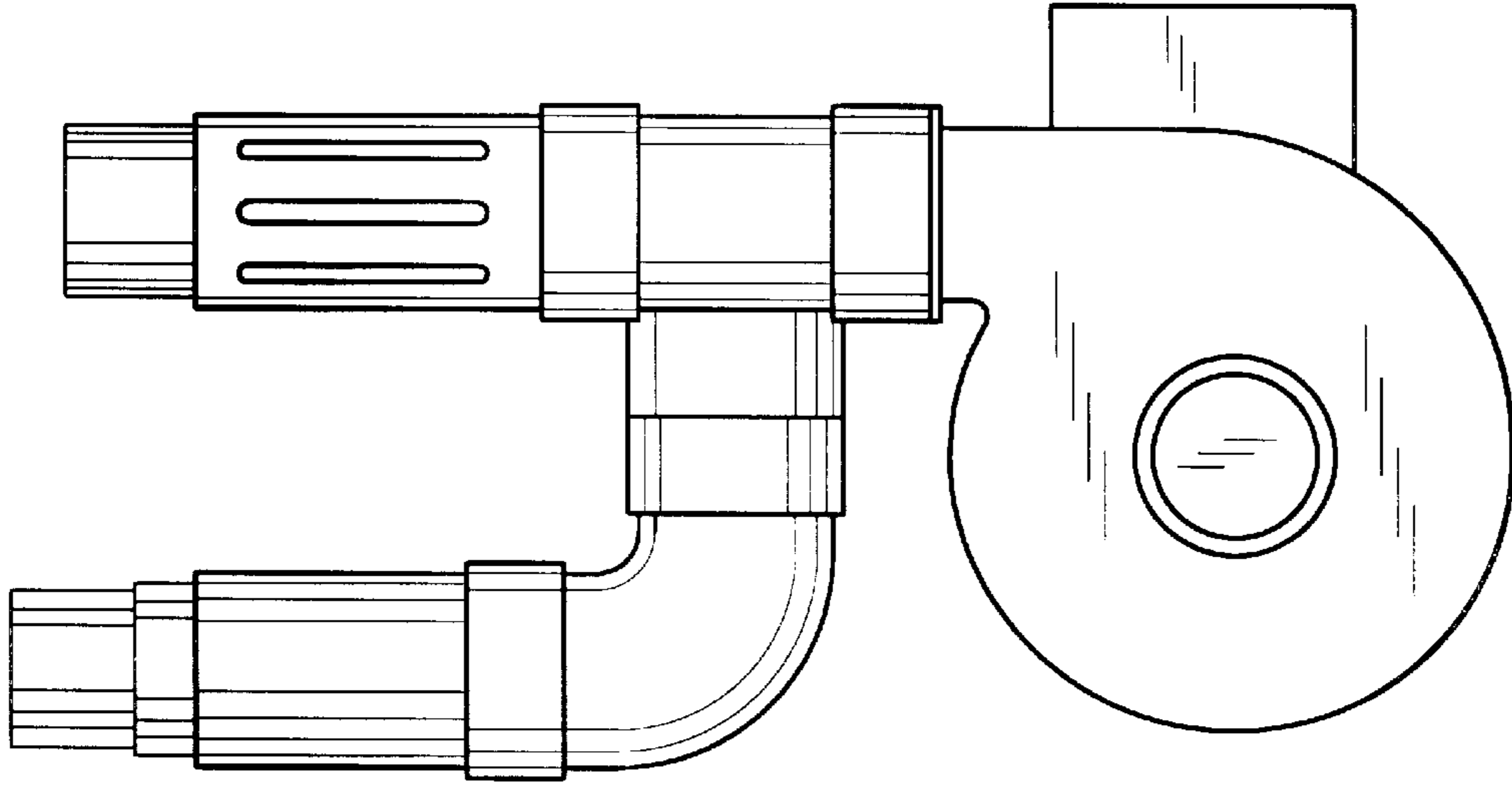


FIG. 2

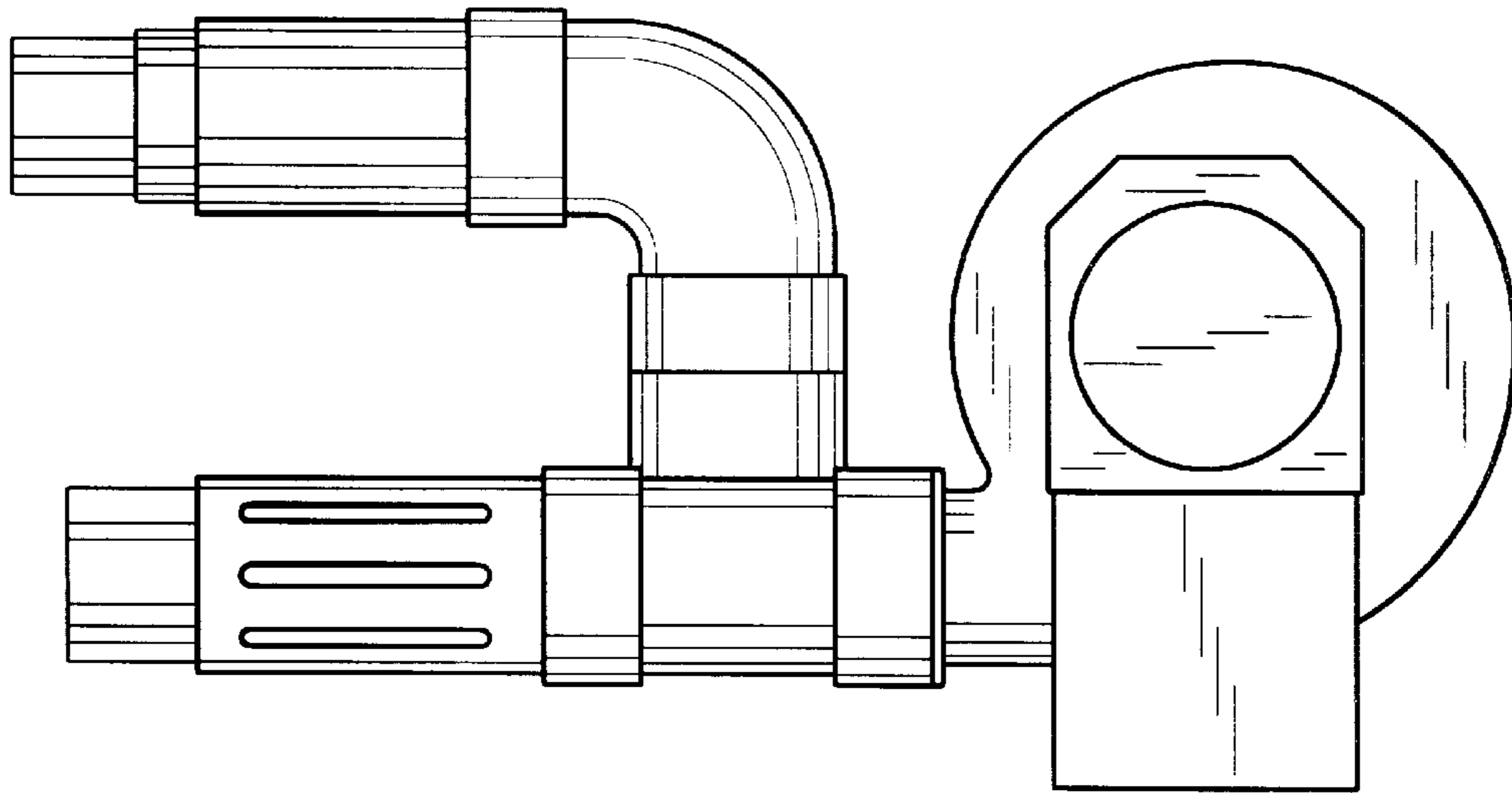


FIG. 3

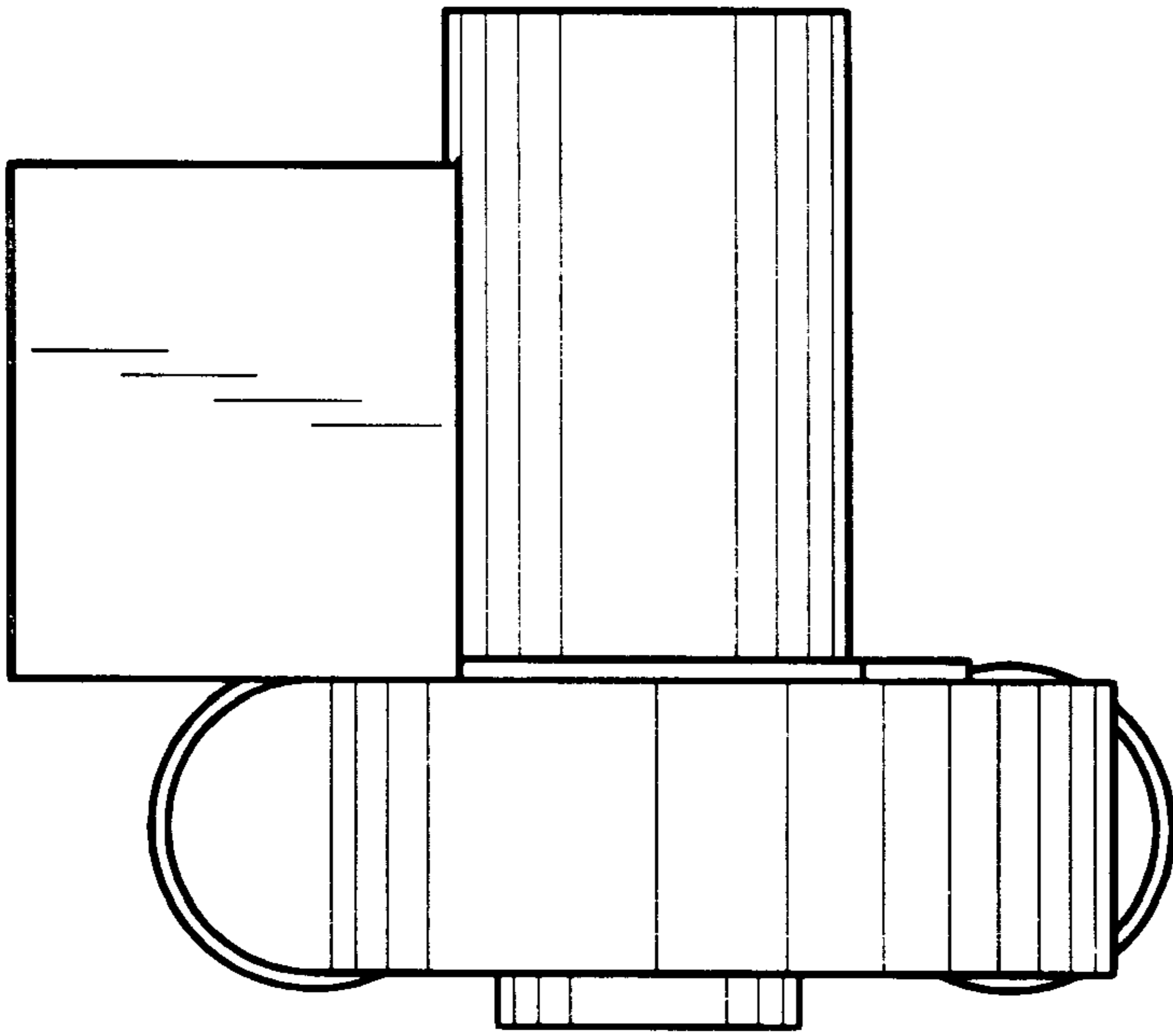


FIG. 4

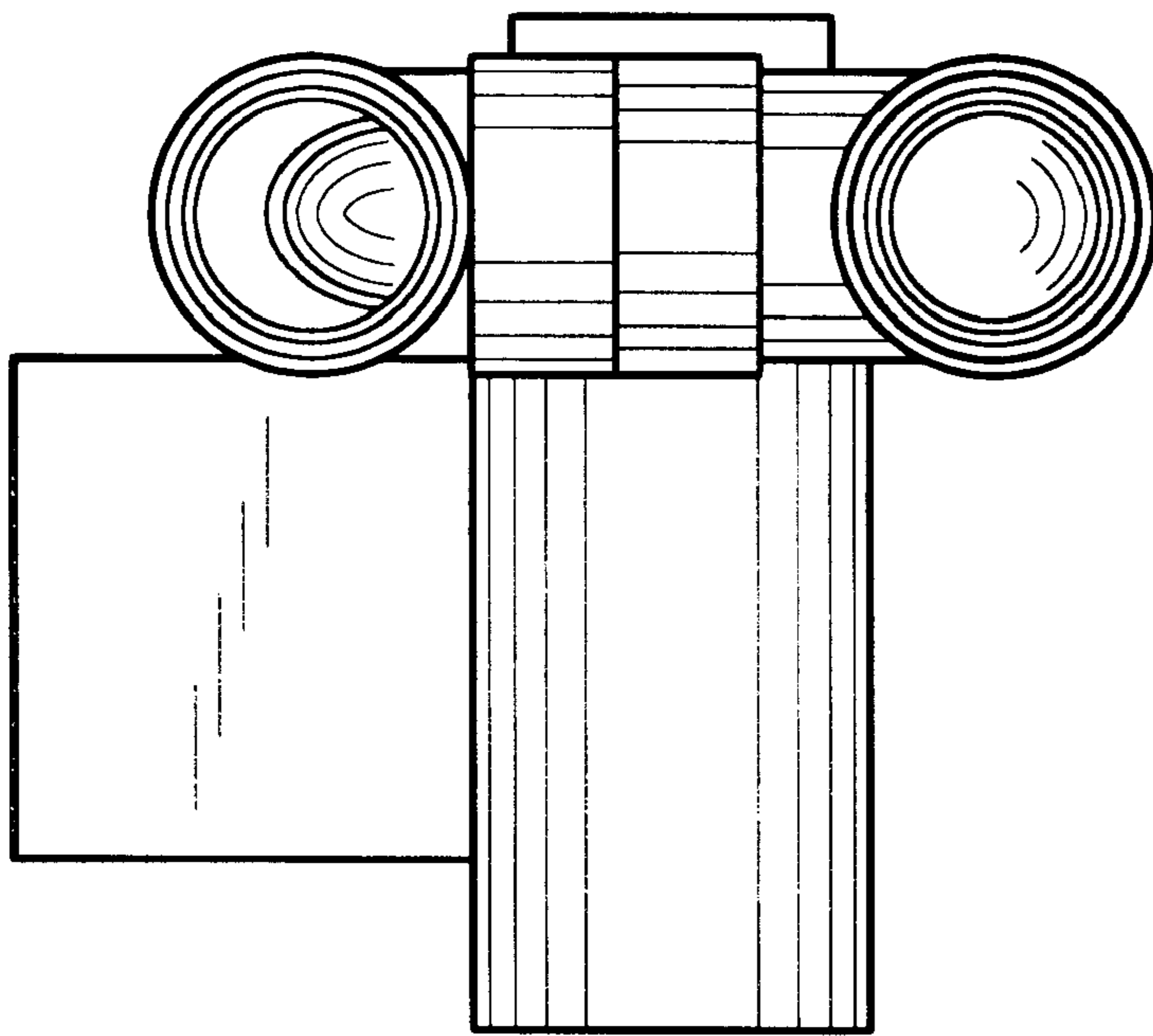


FIG. 5

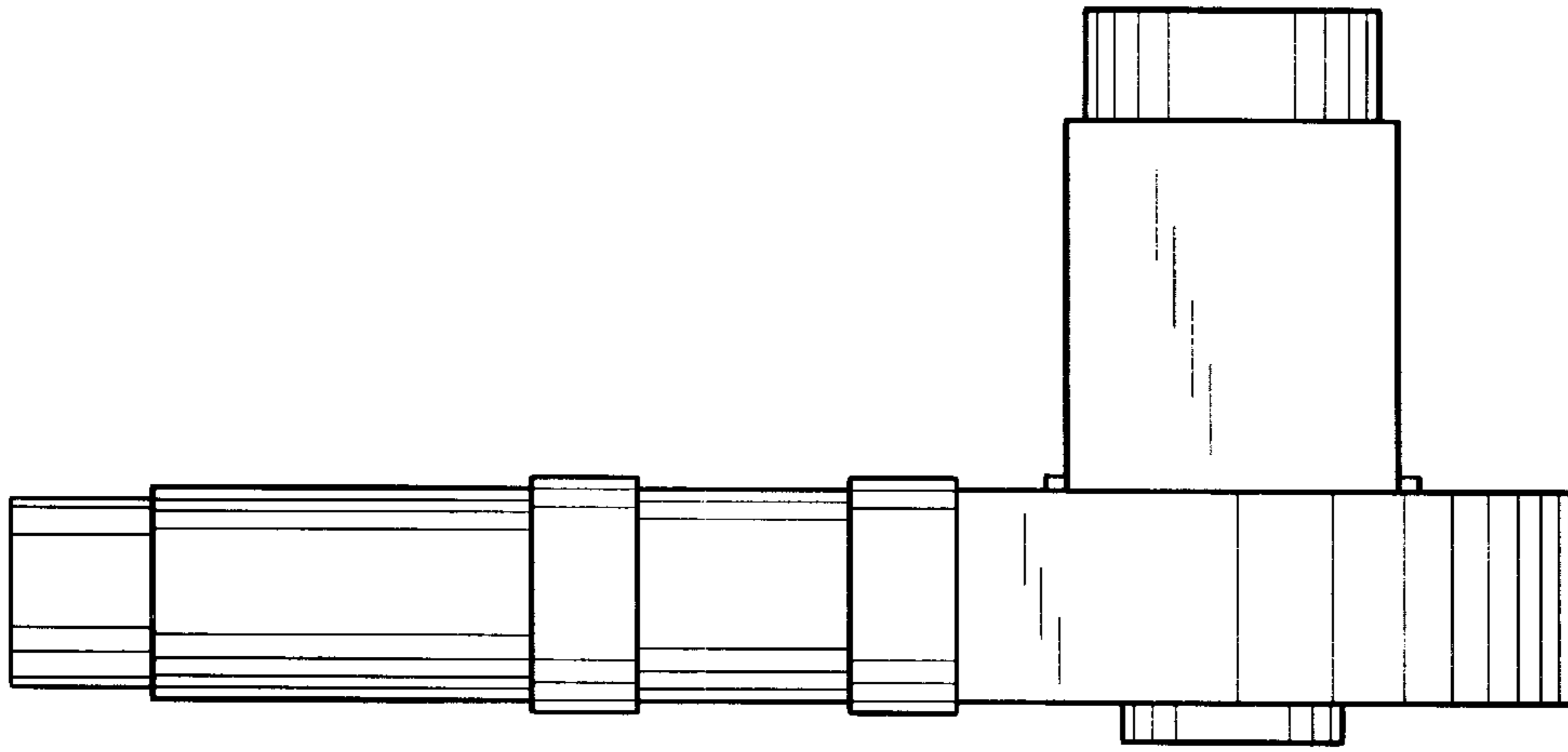


FIG. 7

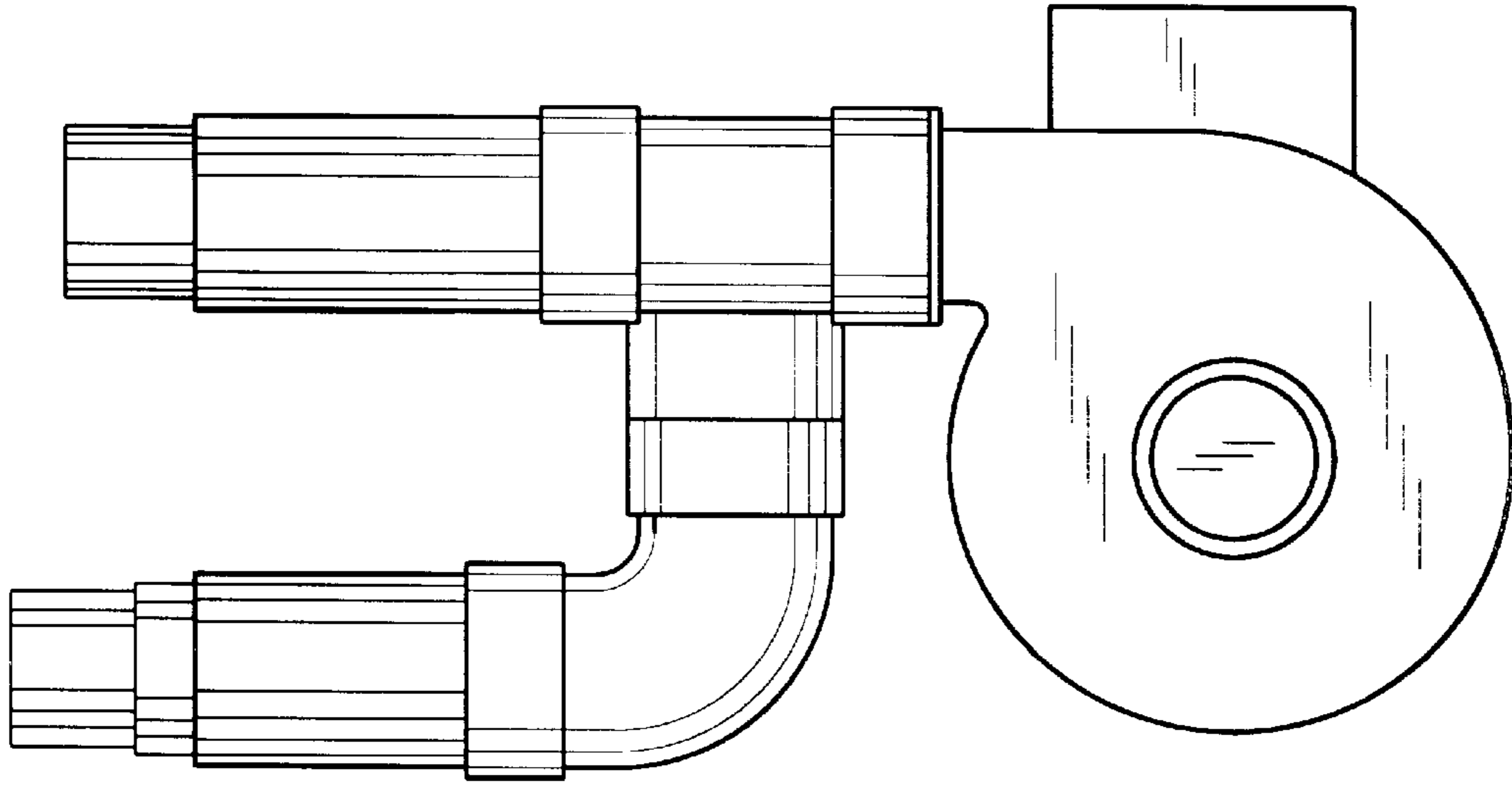


FIG. 9

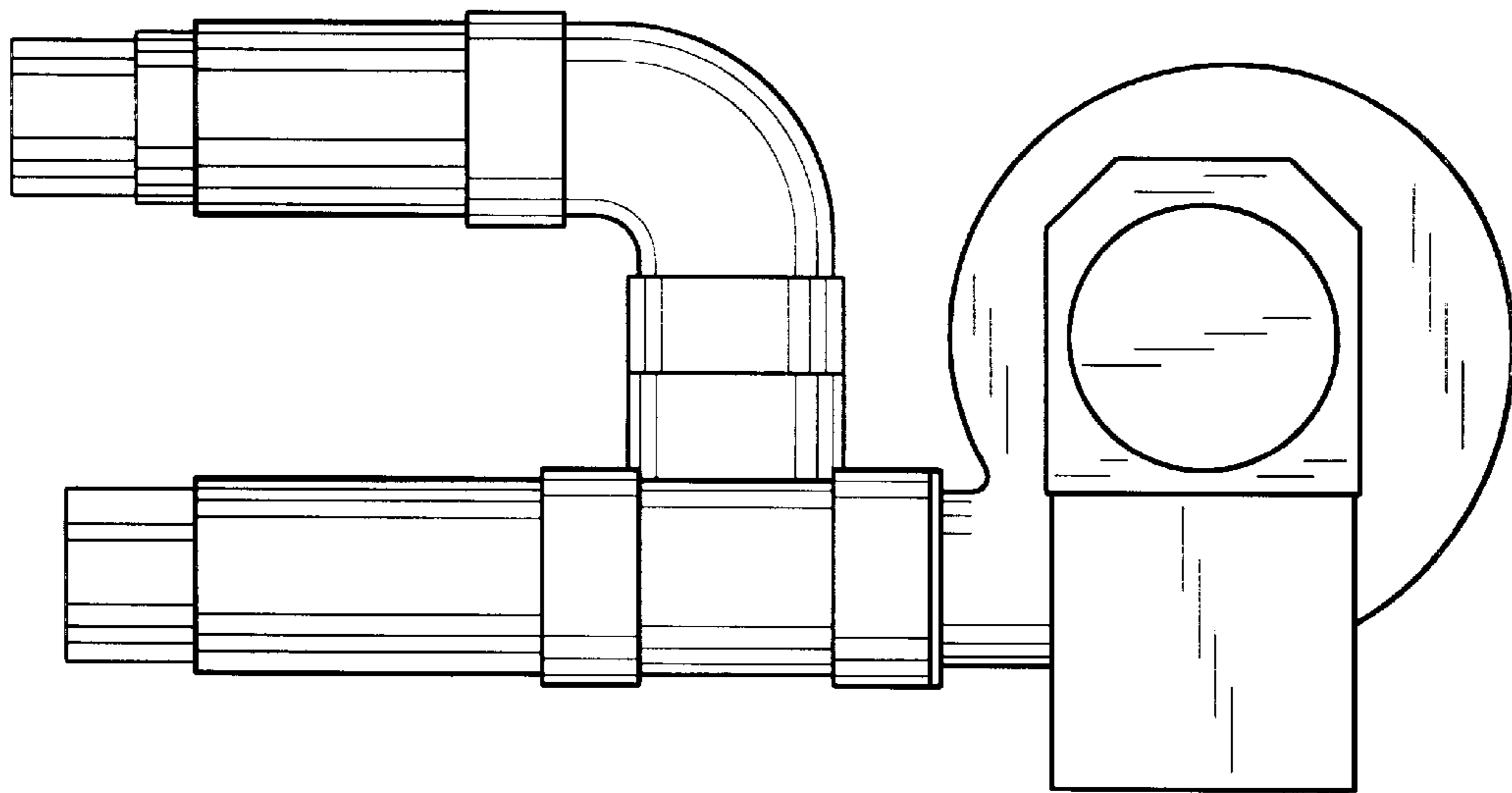


FIG. 8