



US00D417529S

United States Patent [19]

[11] **Patent Number: Des. 417,529**

Stampe

[45] **Date of Patent: ** Dec. 7, 1999**

[54] **APPARATUS FOR DETERRING ANIMALS FROM AGGRAVATING AREAS WITHIN OR ADJACENT WOUNDS**

4,153,009 5/1979 Boyle .
4,476,814 10/1984 Miller 119/815
5,469,814 11/1995 Moy et al. 119/815

[76] Inventor: **David A. Stampe**, 13867 Garrett Ave., Apple Valley, Minn. 55124

Primary Examiner—Louis S. Zarfes
Assistant Examiner—Catherine R. Oliver
Attorney, Agent, or Firm—Skinner and Associates

[**] Term: **14 Years**

[57] CLAIM

[21] Appl. No.: **29/080,932**

The ornamental design for the “apparatus for deterring animals from aggravating areas within or adjacent wounds”, as shown and described.

[22] Filed: **Dec. 19, 1997**

[51] **LOC (6) Cl.** **30-01**

DESCRIPTION

[52] **U.S. Cl.** **D30/144**

[58] **Field of Search** D30/144, 199;
128/882; D19/65; 119/654, 655, 815, 821,
822, 824, 856, 862; 54/80

FIG. 1 is a perspective view of the apparatus for deterring animals from aggravating areas within or adjacent wounds showing my new design;

FIG. 2 is a front view of the design;

FIG. 3 is a rear view of the design;

FIG. 4 is a top plan view of the design;

FIG. 5 is a side view, with the opposite side being a mirror image; and,

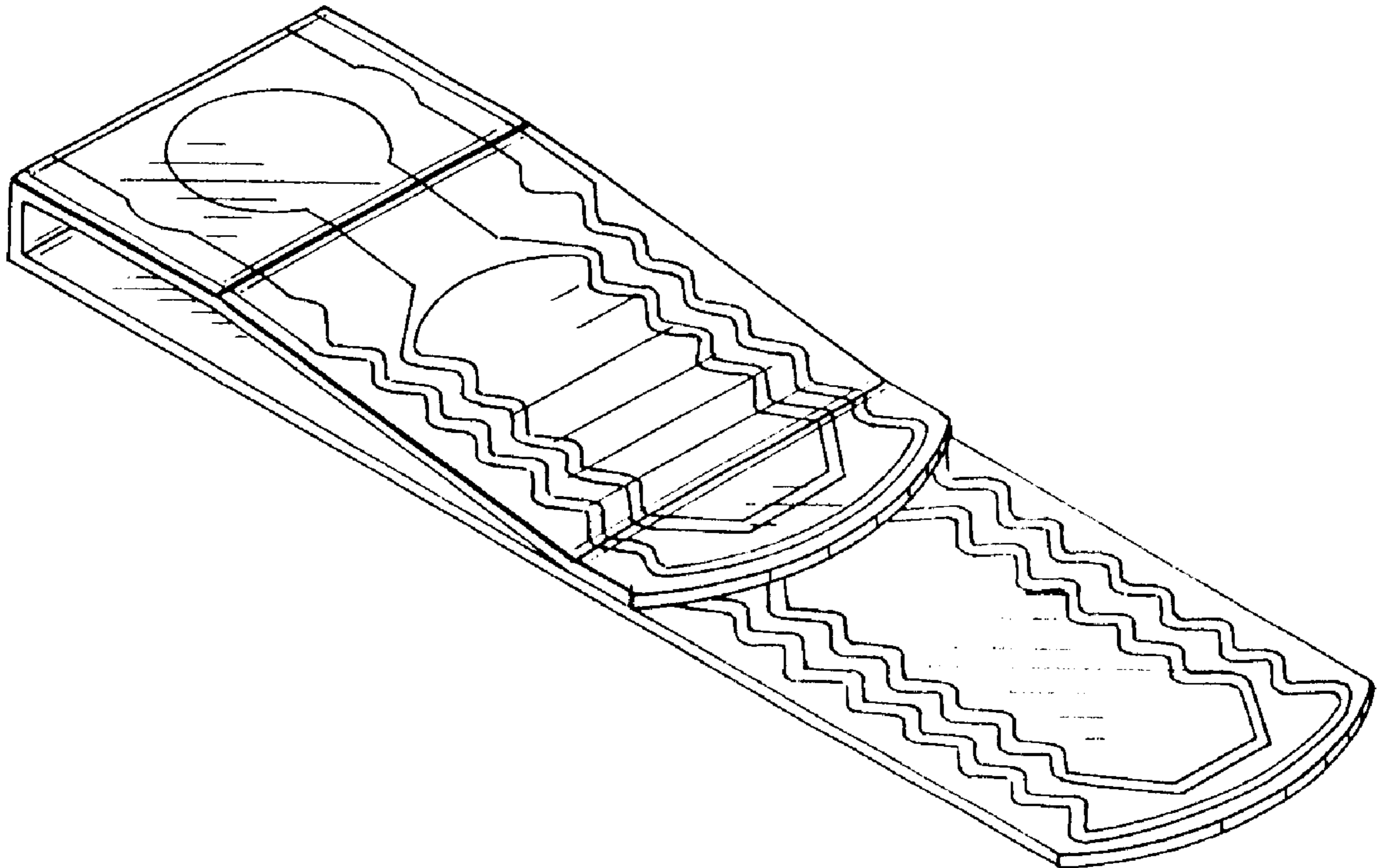
FIG. 6 is a bottom plan view of the design.

[56] References Cited

U.S. PATENT DOCUMENTS

2,177,789 10/1939 Sacker .
2,998,008 8/1961 Klesa 119/856
3,042,036 7/1962 Abadjieff .
3,942,306 3/1976 Kulka 54/80
4,036,179 7/1977 Turner et al. 119/815

1 Claim, 1 Drawing Sheet



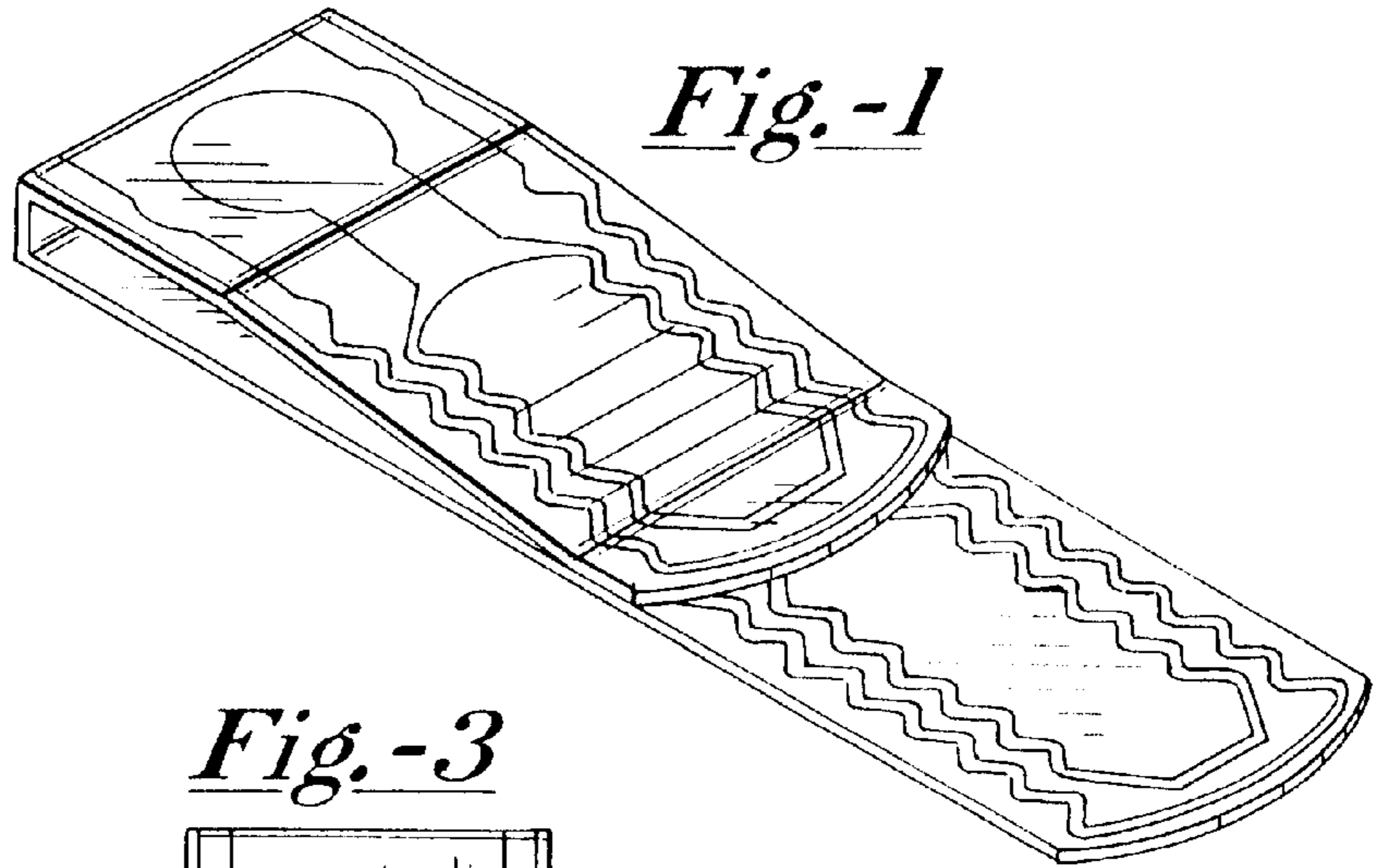


Fig. -2

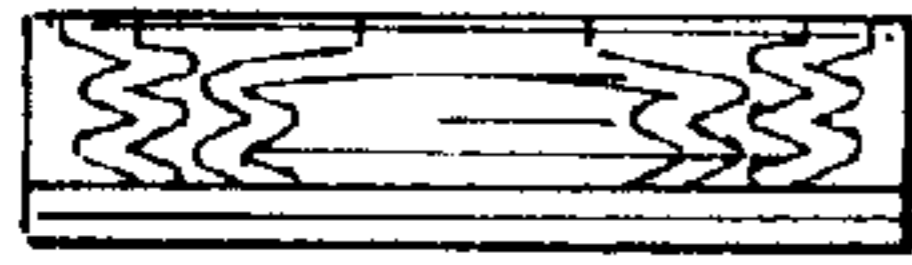


Fig. -3



Fig. -4

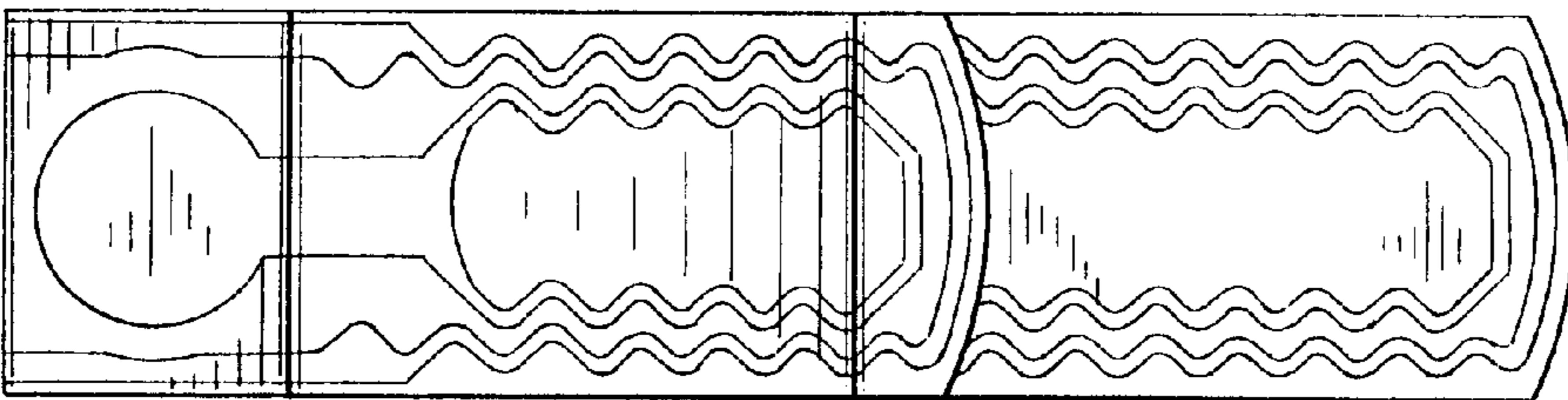


Fig. -5



Fig. -6

