



US00D417527S

United States Patent [19]

Knuth et al.

[11] Patent Number: **Des. 417,527**

[45] Date of Patent: **** Dec. 7, 1999**

[54] **COMBINED BIRD HOUSE AND FEEDER**

[76] Inventors: **Warren C. Knuth**, 4629 Parkridge Dr., Racine, Wis. 53402; **Michael George**, 3767 S. Iowa St., Saint Francis, Wis. 53235

[**] Term: **14 Years**

[21] Appl. No.: **29/083,284**

[22] Filed: **Feb. 9, 1998**

[51] **LOC (6) Cl.** **30-03**

[52] **U.S. Cl.** **D30/111; D30/125**

[58] **Field of Search** D30/110-111, D30/124-125; 119/329, 428-435, 464, 467, 475, 478, 484, 51.01, 51.03, 51.5, 52.1-52.3, 57.8-57.9, 72, 74; D6/358; D11/157

[56] **References Cited**

U.S. PATENT DOCUMENTS

D. 75,618	6/1928	Faulkner	D30/111
D. 152,472	1/1949	Hawkinson	D30/111
D. 173,294	10/1954	Voeks	D30/111
D. 193,787	10/1962	Clever	D30/128
D. 232,011	7/1974	Denton	.	
D. 246,469	11/1977	Morton et al.	.	
D. 248,651	7/1978	Zivica	D99/37
D. 279,430	7/1985	McLeroy	D6/358

D. 285,129	8/1986	Phillips et al.	D30/102
D. 307,200	4/1990	Posenauer	D30/111
D. 321,845	11/1991	Nys	D11/157
D. 350,710	9/1994	Keiffer	D11/157
D. 370,312	5/1996	Prehart	D30/111
D. 375,394	11/1996	Hodges	.	
D. 376,250	12/1996	Conley, Jr.	.	
1,169,409	1/1916	Larson	.	
3,040,706	6/1962	O'Dell	119/57.8
4,033,296	7/1977	Cudmore	.	

Primary Examiner—Cathy Anne MacCormac
Attorney, Agent, or Firm—Richard C. Litman

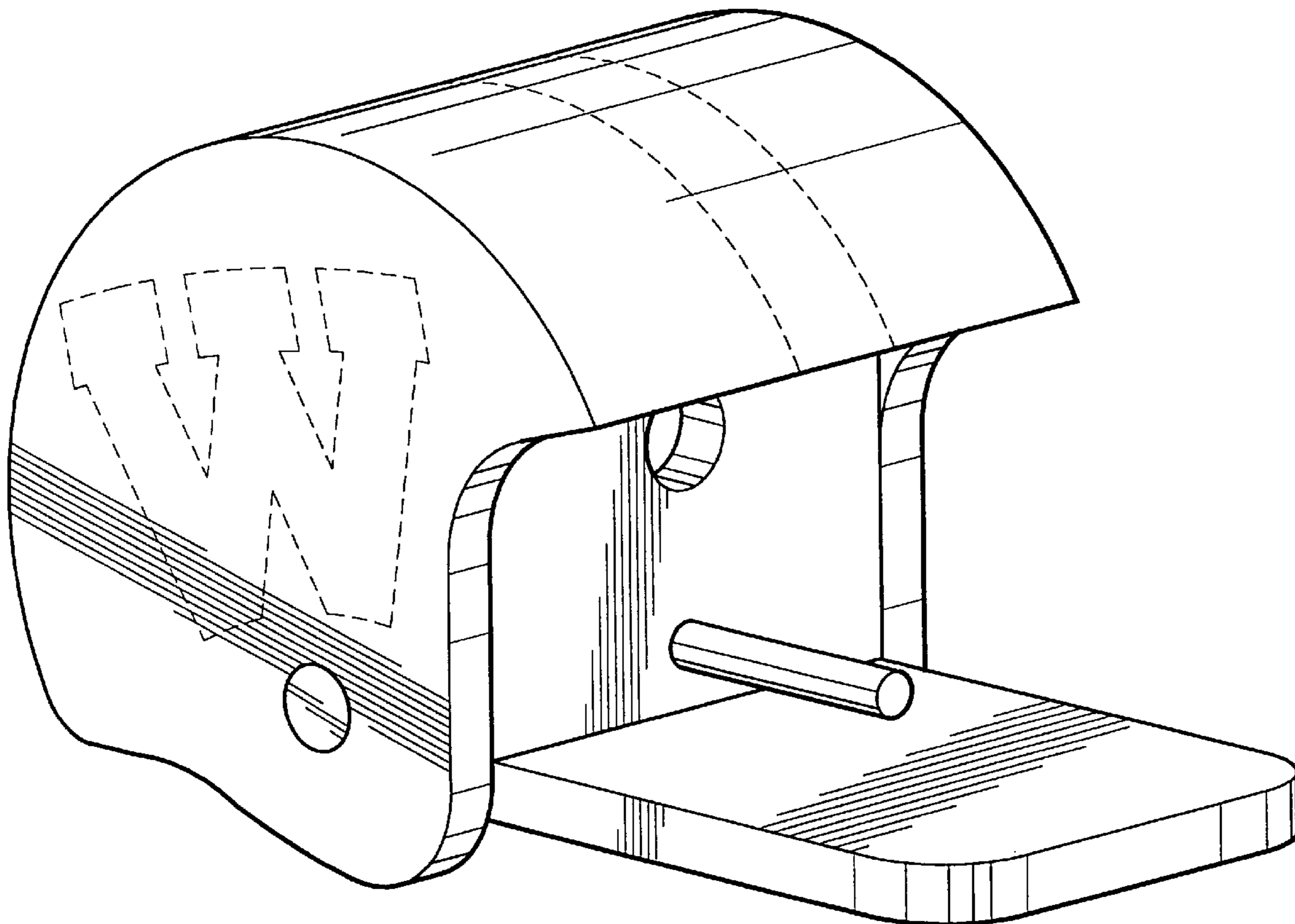
[57] **CLAIM**

The ornamental design for a combined bird house and feeder, as shown and described.

DESCRIPTION

FIG. 1 is a perspective view of a combined bird house and feeder showing our new design; FIG. 2 is a front elevational view thereof; FIG. 3 is a rear elevational view thereof; FIG. 4 is a right side elevational view with the left side being a mirror image thereof; FIG. 5 is a top view thereof; and, FIG. 6 is a bottom view thereof. The broken lines in FIGS. 1 and 4 are for purposes of illustration only and form no part of the claimed design.

1 Claim, 4 Drawing Sheets



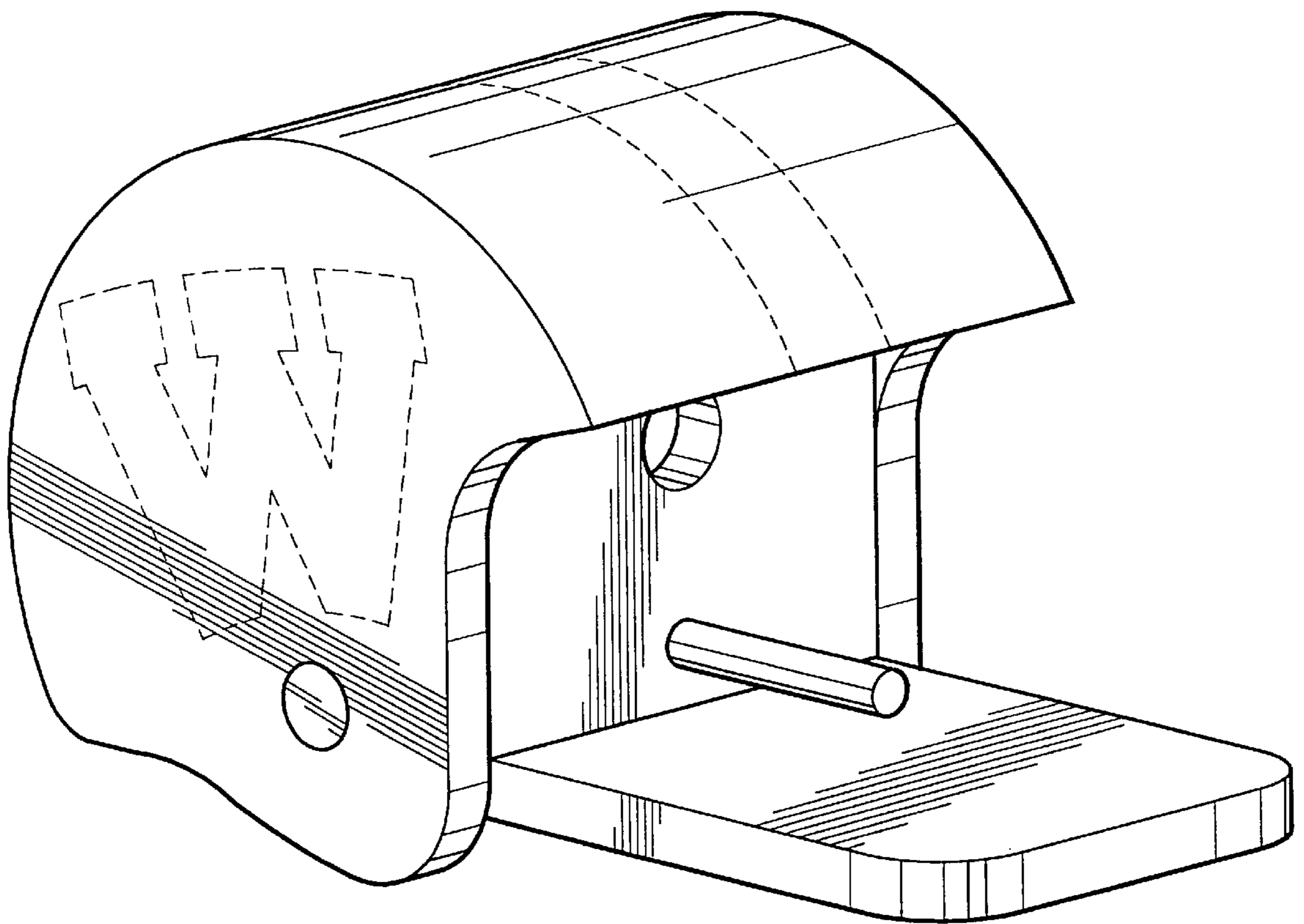


Fig. 1

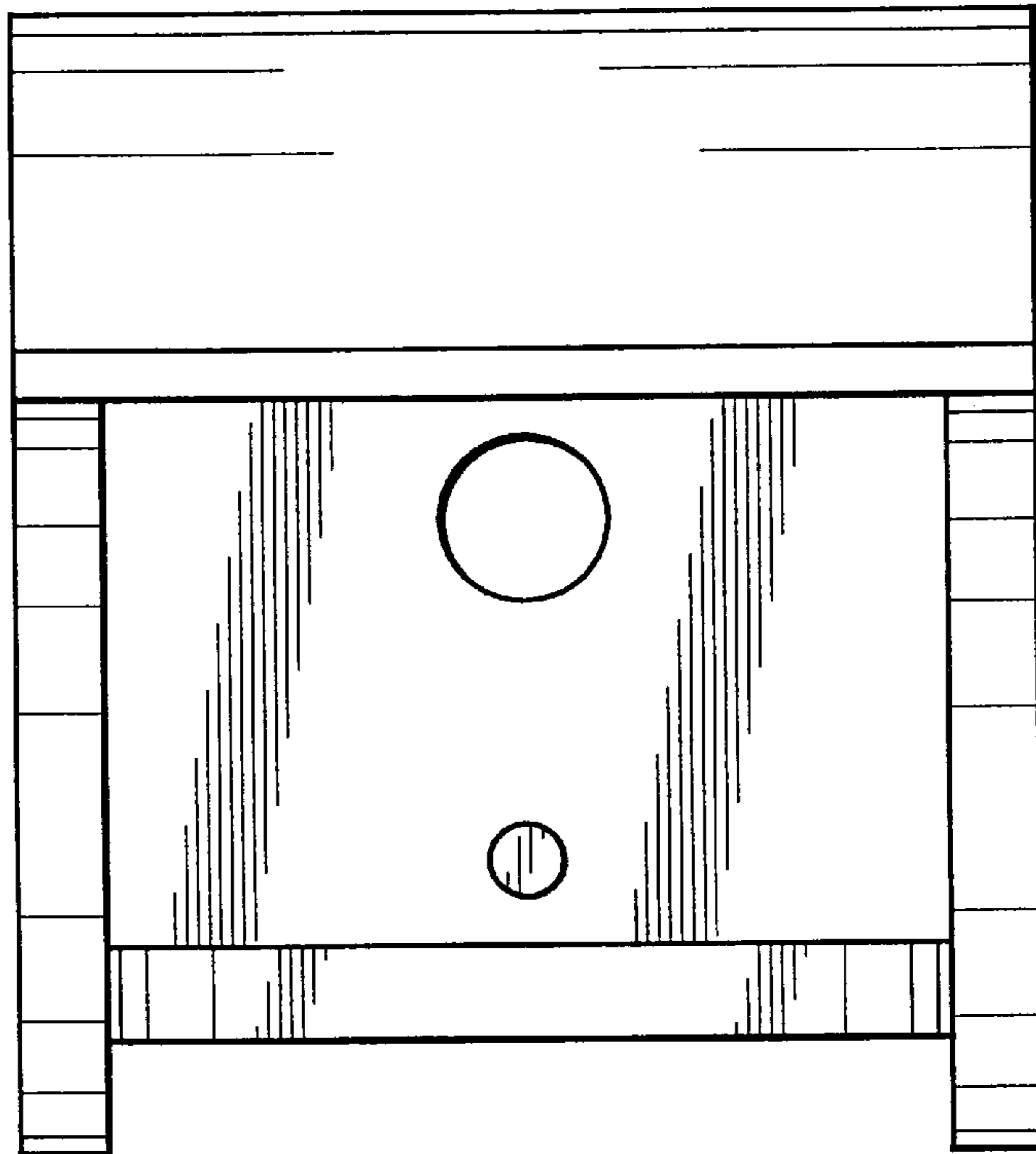


Fig. 2

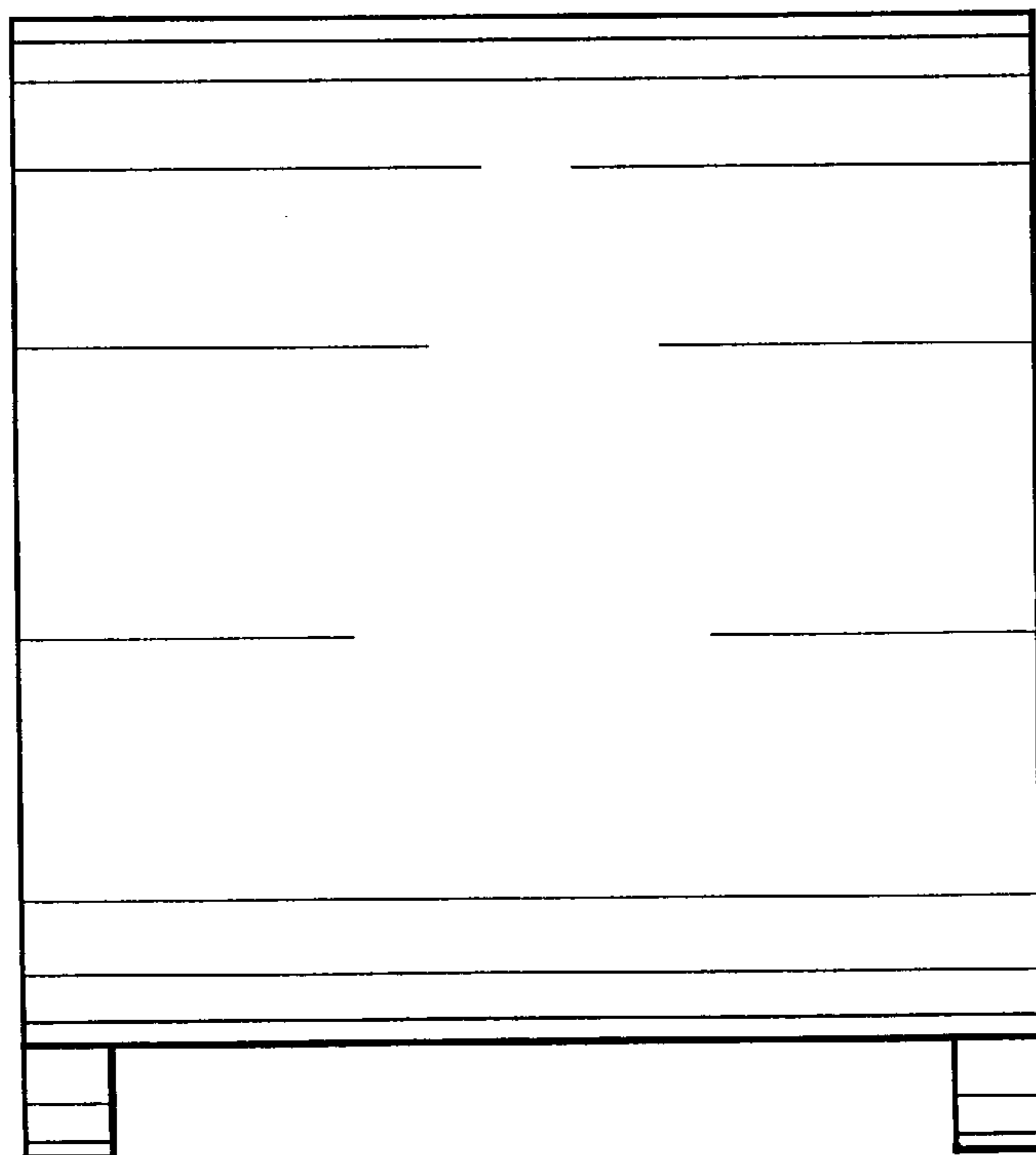


Fig. 3

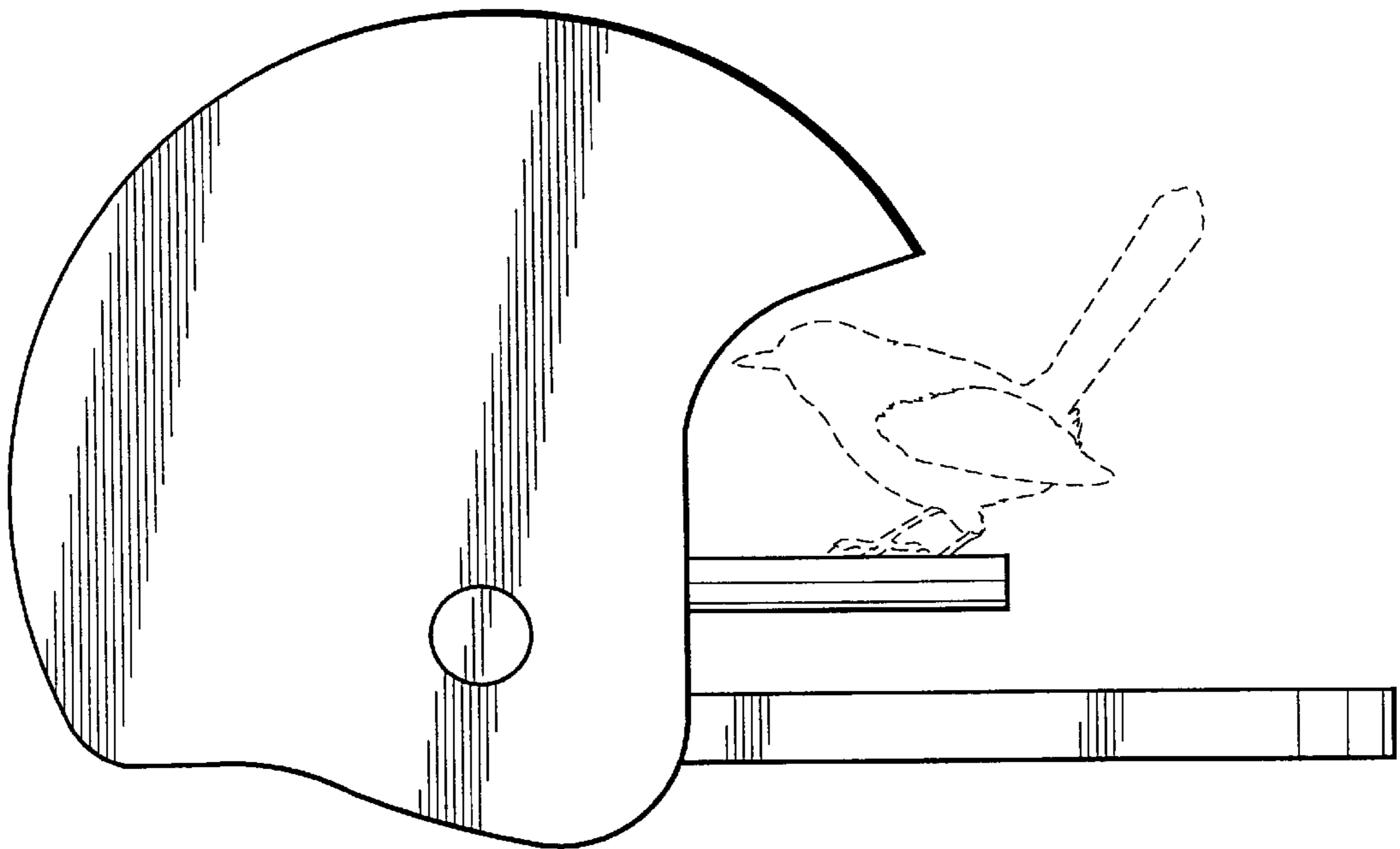


Fig. 4

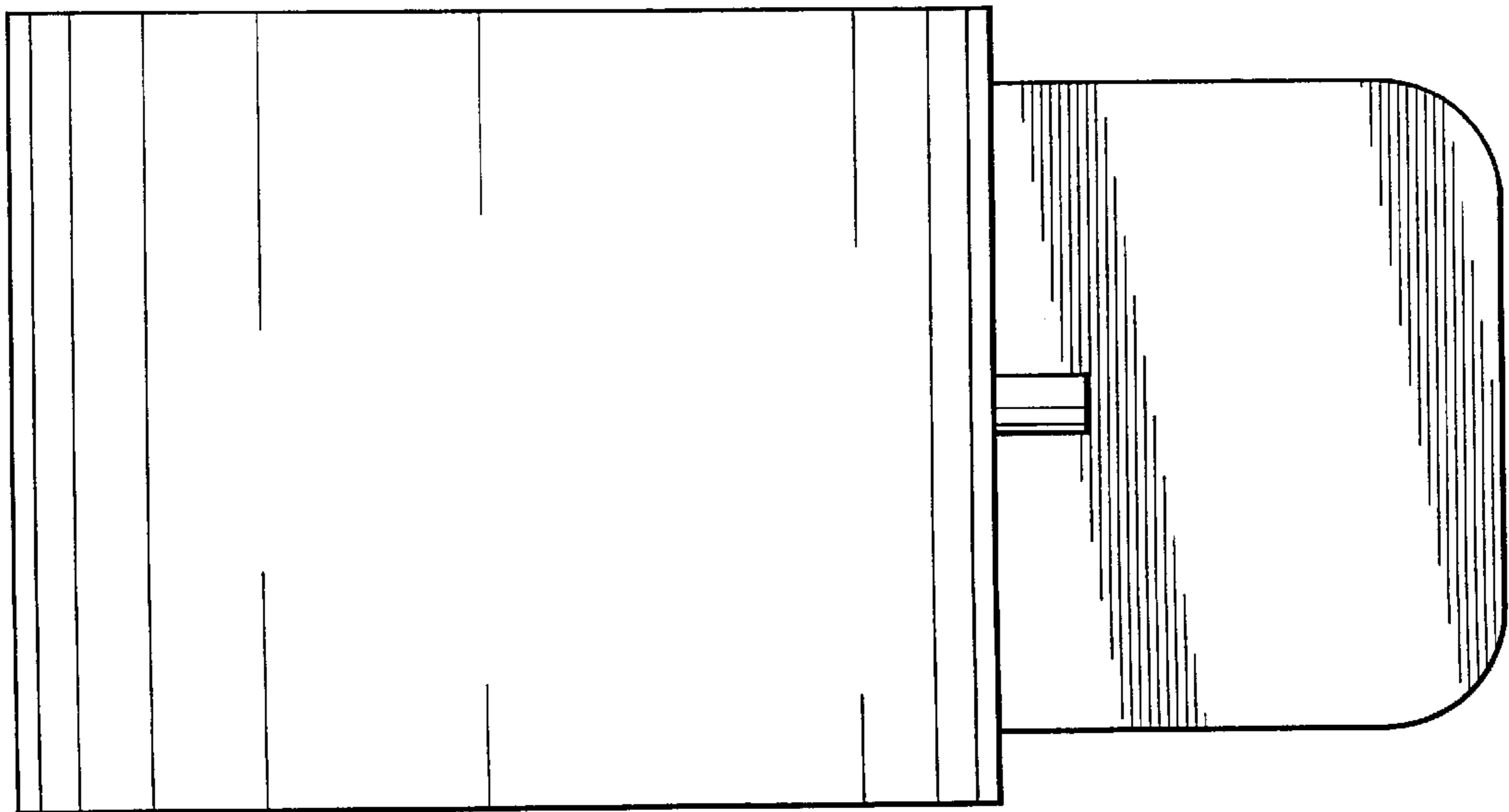


Fig. 5

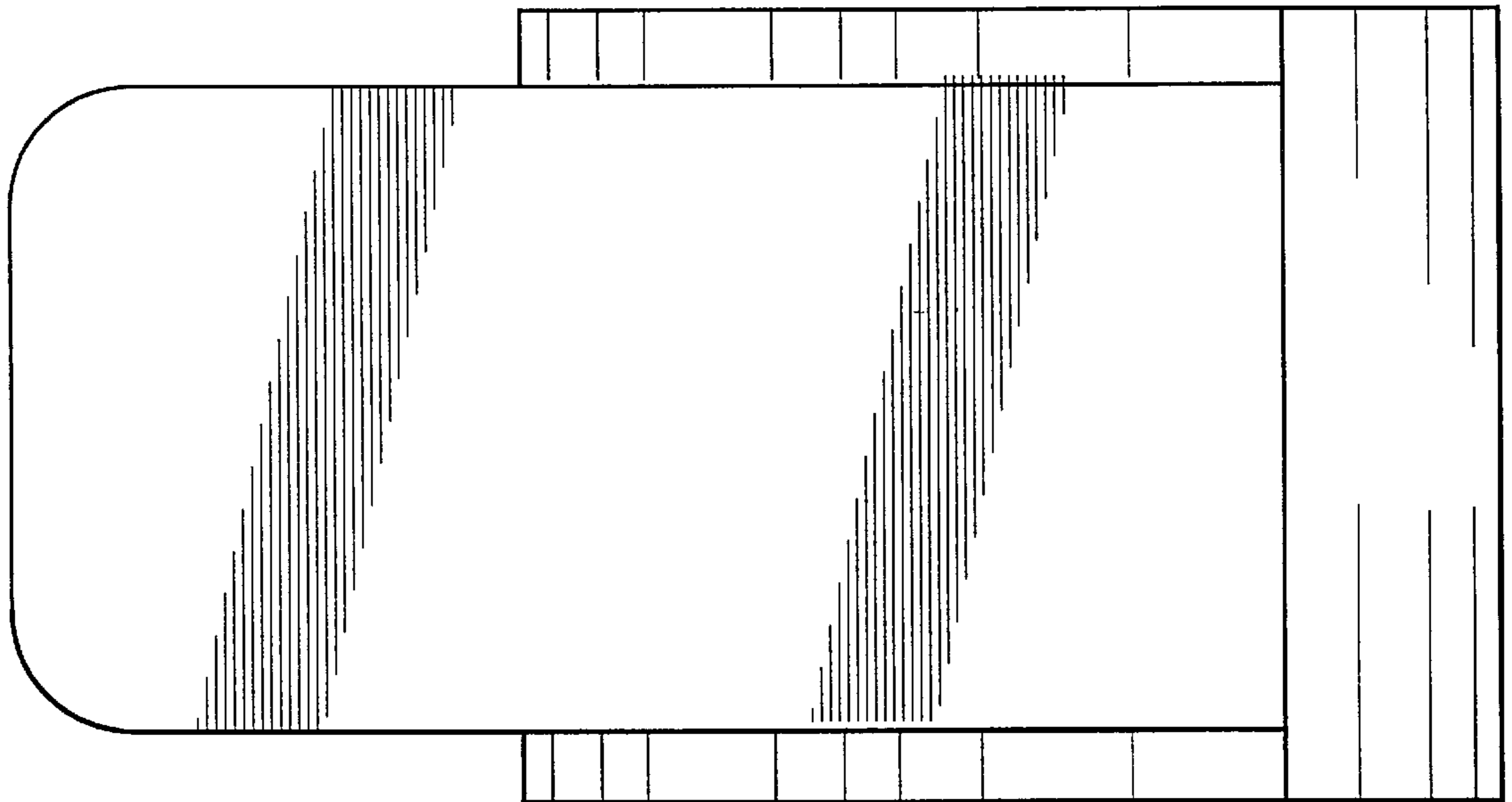


Fig. 6