



US00D417525S

# United States Patent [19] Brushett

[11] Patent Number: **Des. 417,525**

[45] Date of Patent: **\*\* Dec. 7, 1999**

[54] **CIGAR CUTTER**

[75] Inventor: **Robert Brushett**, Toronto, Canada

[73] Assignee: **The Groove Cutter Company**,  
Toronto, Canada

[\*\*] Term: **14 Years**

[21] Appl. No.: **29/098,296**

[22] Filed: **Dec. 23, 1998**

[51] **LOC (6) Cl.** ..... **27-99**

[52] **U.S. Cl.** ..... **D27/195**

[58] **Field of Search** ..... 30/109-113; D27/194,  
D27/195; 131/253, 254, 255

[56] **References Cited**

**U.S. PATENT DOCUMENTS**

260,117	6/1882	Oakman, Jr. .	
D. 283,451	4/1986	Kolpin .....	D27/195
319,456	6/1885	Collard .	
370,735	9/1887	Gonon .	
D. 385,654	10/1997	Taylor et al. ....	D27/195
589,405	9/1897	Billings .	
799,364	9/1905	White .....	131/255
903,431	11/1908	Arnold .	
964,561	7/1910	Salviolo .	

1,336,724	4/1920	Berberich .	
1,908,890	5/1933	Burns .	
4,353,379	10/1982	Castellanos .....	131/231
5,799,662	9/1998	Conte .....	131/255
5,806,532	9/1998	Kuenzel .....	131/254 X

**OTHER PUBLICATIONS**

The Saint Croix Courier, Dec. 30, 1997, "Getting into the Groove".

*Primary Examiner*—Susan J. Lucas  
*Assistant Examiner*—Jennifer Rivard  
*Attorney, Agent, or Firm*—Fredrikson & Byron, P.A.

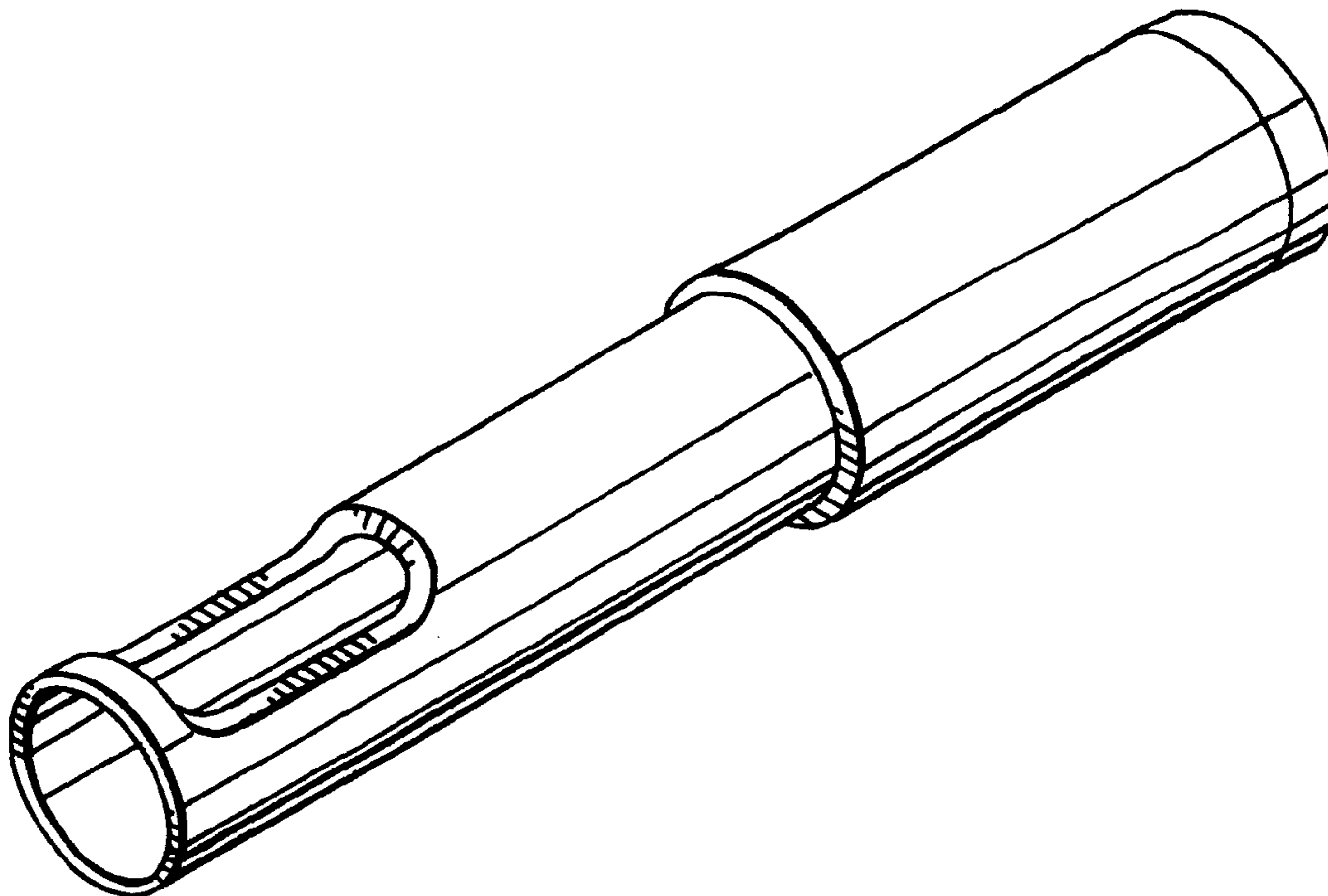
[57] **CLAIM**

I claim the ornamental design for a cigar cutter, as shown and described.

**DESCRIPTION**

FIG. 1 is a top perspective view of the cigar cutter;  
FIG. 2 is a top plan view of the cigar cutter;  
FIG. 3 is a side view of the cigar cutter, the opposite side being a mirror image;  
FIG. 4 is a bottom view of the cigar cutter;  
FIG. 5 is a view of one end of the cigar cutter; and,  
FIG. 6 is a view of the other end of the cigar cutter.

**1 Claim, 1 Drawing Sheet**



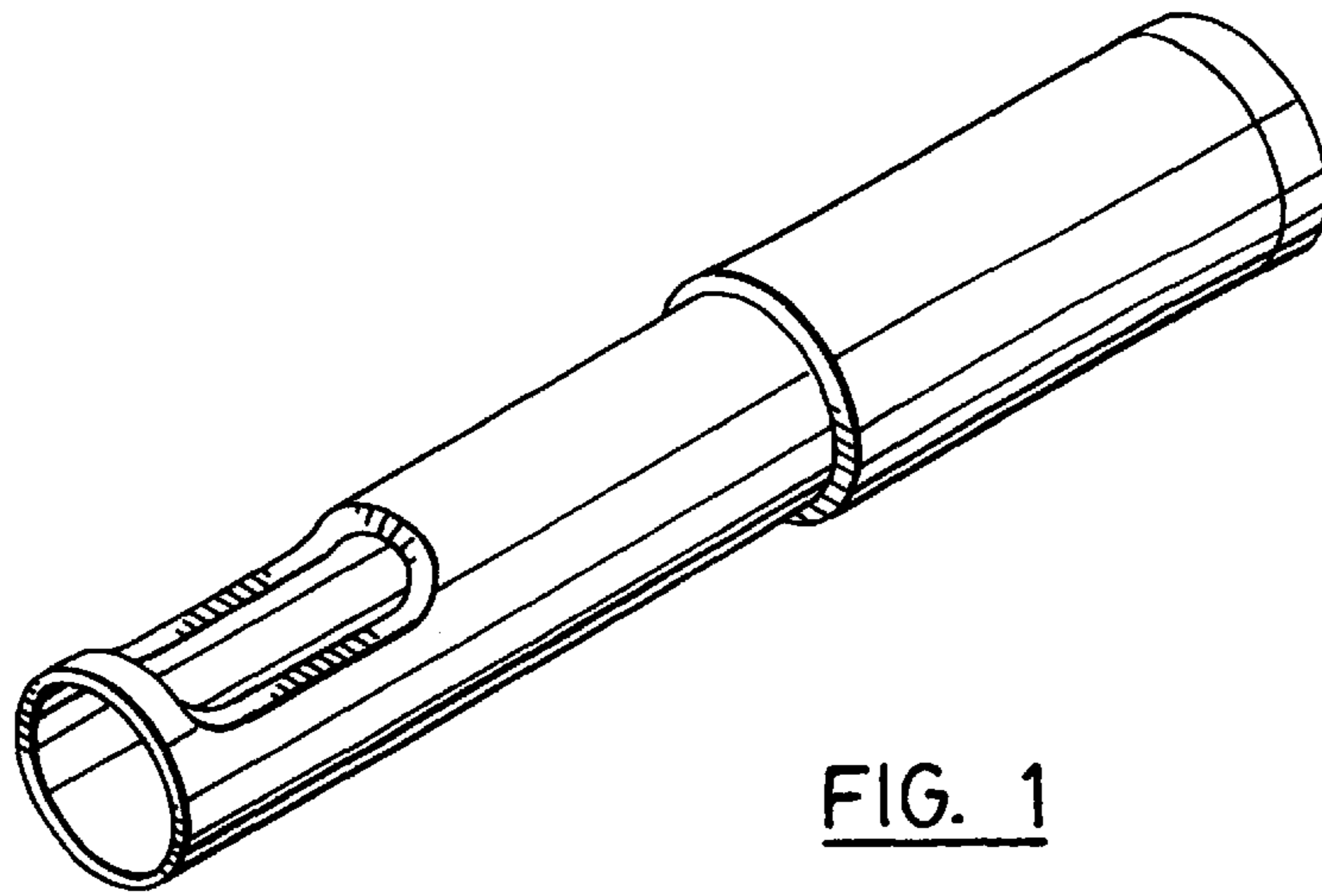


FIG. 1

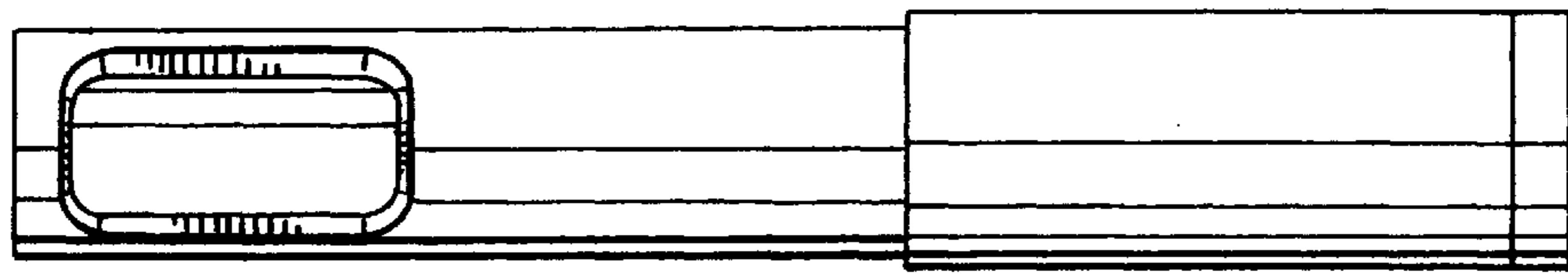


FIG. 2

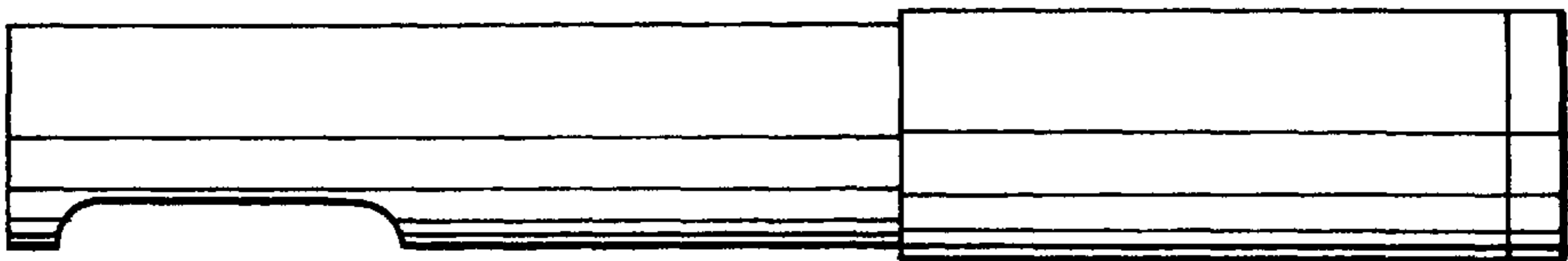


FIG. 3

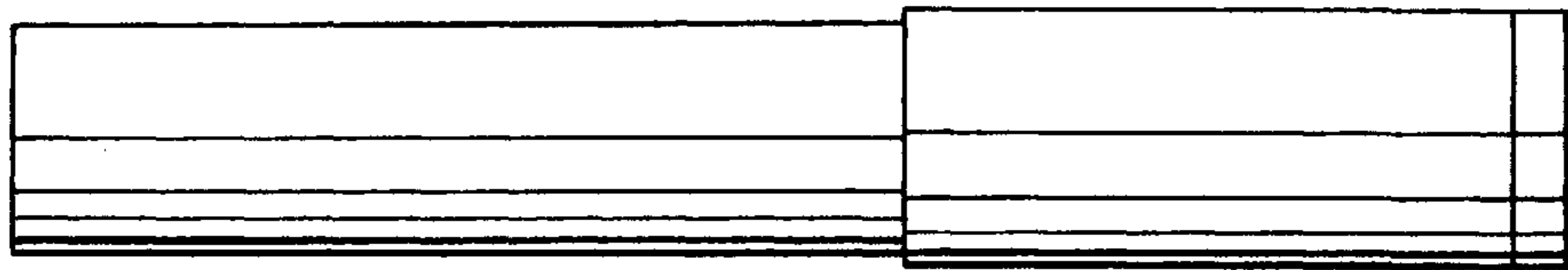


FIG. 4



FIG. 5

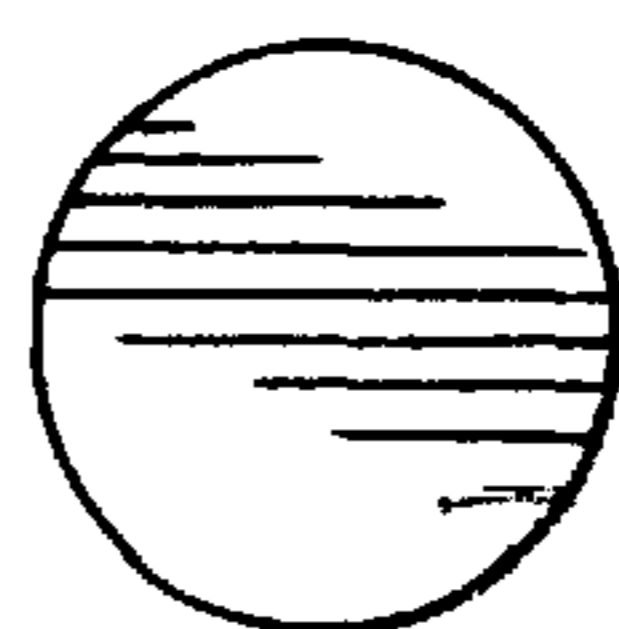


FIG. 6