



US00D417524S

United States Patent ^[19] Green

[11] **Patent Number: Des. 417,524**

[45] **Date of Patent: ** Dec. 7, 1999**

[54] **LIGHTER CASE**

[75] Inventor: **Todd D. Green**, Greenfield, Ind.

[73] Assignee: **Novelty, Inc.**, Greenfield, Ind.

[**] Term: **14 Years**

[21] Appl. No.: **29/093,882**

[22] Filed: **Sep. 21, 1998**

[51] **LOC (6) Cl.** **27-06**

[52] **U.S. Cl.** **D27/192; D27/144**

[58] **Field of Search** D27/161, 172,
D27/186, 193, 189, 192, 188, 144, 118,
148; 431/253; 206/457, 261, 262, 265,
85-89; 220/906

[56] **References Cited**

U.S. PATENT DOCUMENTS

- D. 39,605 10/1908 Hubert .
- D. 80,495 2/1930 Reilly .
- D. 151,946 11/1948 Treiss .
- D. 152,386 1/1949 Zelenka .
- D. 158,906 6/1950 Stalker .
- D. 177,893 6/1956 Breitenstein .
- D. 191,765 11/1961 Sharma .
- D. 208,573 9/1967 Rappoport .
- D. 237,403 10/1975 Koch .
- D. 246,912 1/1978 Adelhardt .
- D. 272,660 2/1984 Torreblanca Cervantes .

- D. 295,224 4/1988 Miyamoto .
- D. 308,929 7/1990 Greig et al. D27/144
- D. 358,681 5/1995 Toombs .
- D. 360,483 7/1995 Milazzo .
- D. 367,943 3/1996 Tien .
- D. 371,865 7/1996 Williams .
- 3,473,692 10/1969 Moller 220/906
- 4,880,377 11/1989 Ficho .
- 5,056,659 10/1991 Howes et al. 206/457 X
- 5,647,499 7/1997 Piazza 220/906 X
- 5,829,623 11/1998 Otsuka et al. 220/906 X

Primary Examiner—Susan J. Lucas
Assistant Examiner—Jennifer Rivard
Attorney, Agent, or Firm—Woodard, Emhardt, Naughton,
Moriarty & McNett

[57] **CLAIM**

The ornamental design for a lighter case, as shown and described.

DESCRIPTION

FIG. 1 is a front elevational view of my lighter case.
FIG. 2 is a rear elevational view of my lighter case.
FIG. 3 is a left side elevational view of my lighter case.
FIG. 4 is a right side elevational view of my lighter case.
FIG. 5 is a top plan view of my lighter case; and,
FIG. 6 is a bottom plan view of my lighter case.
The broken lines are shown for illustrative purposes only
and form no part of the claimed design.

1 Claim, 5 Drawing Sheets



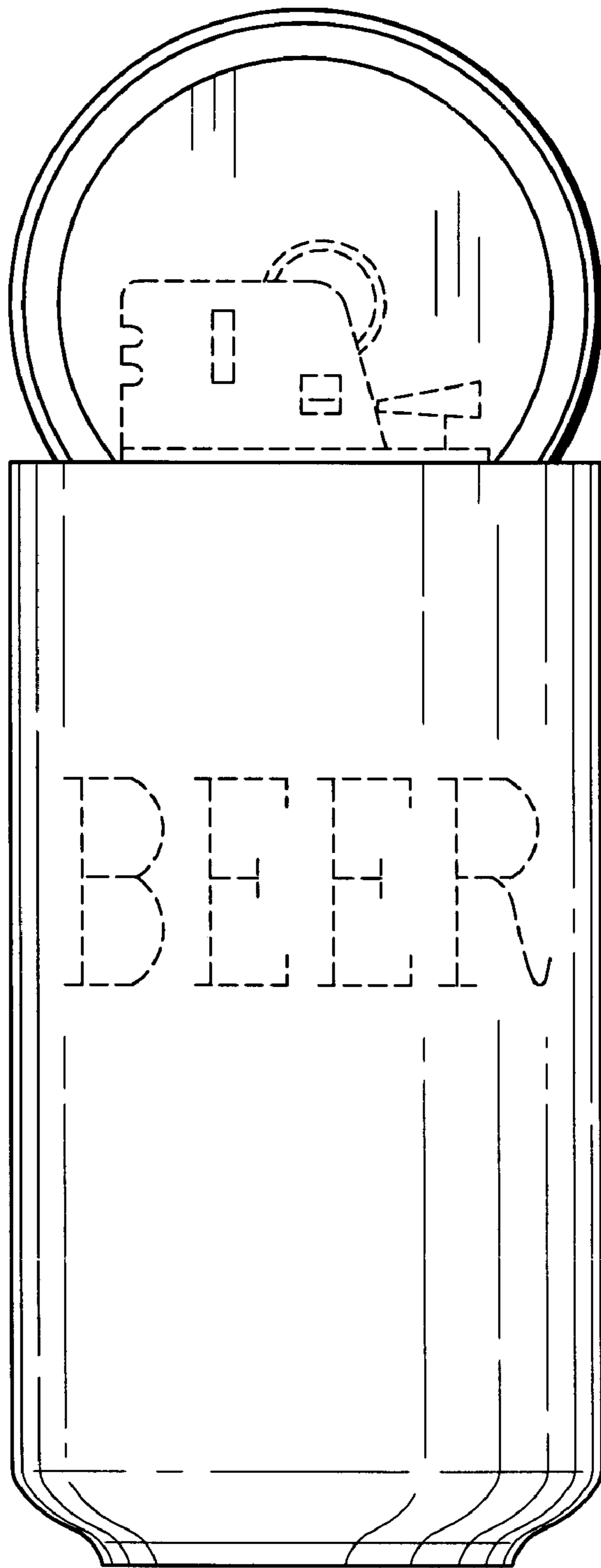


Fig. 1

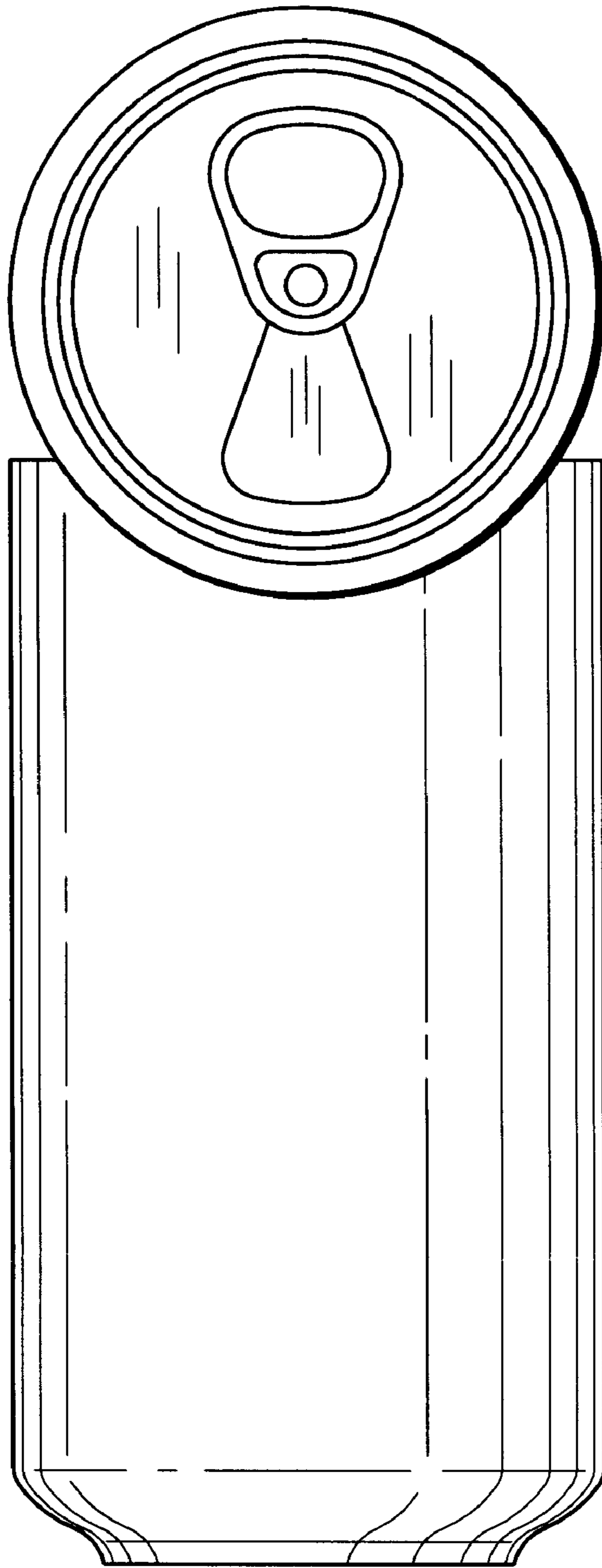


Fig. 2

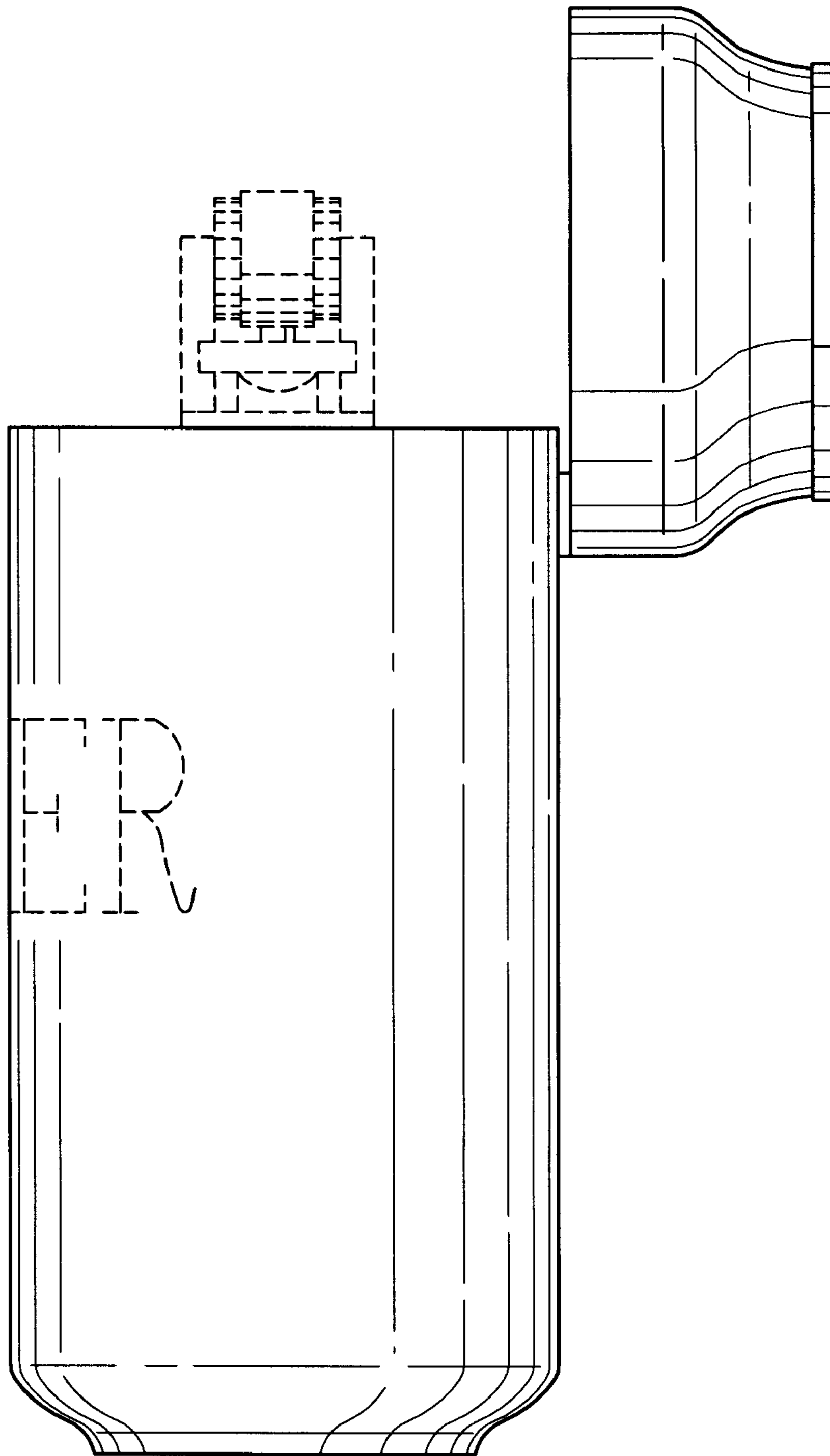


Fig. 3

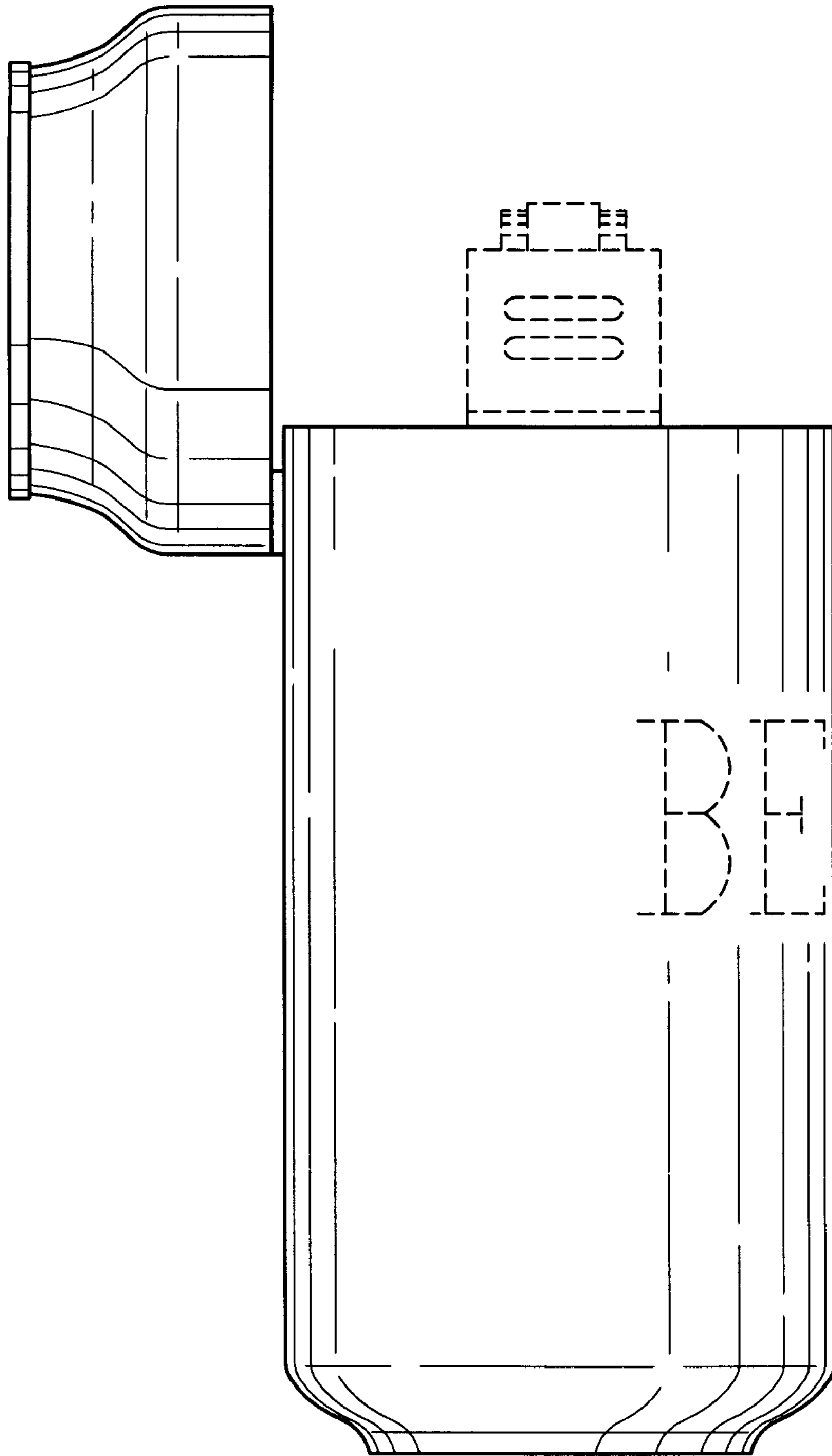


Fig. 4

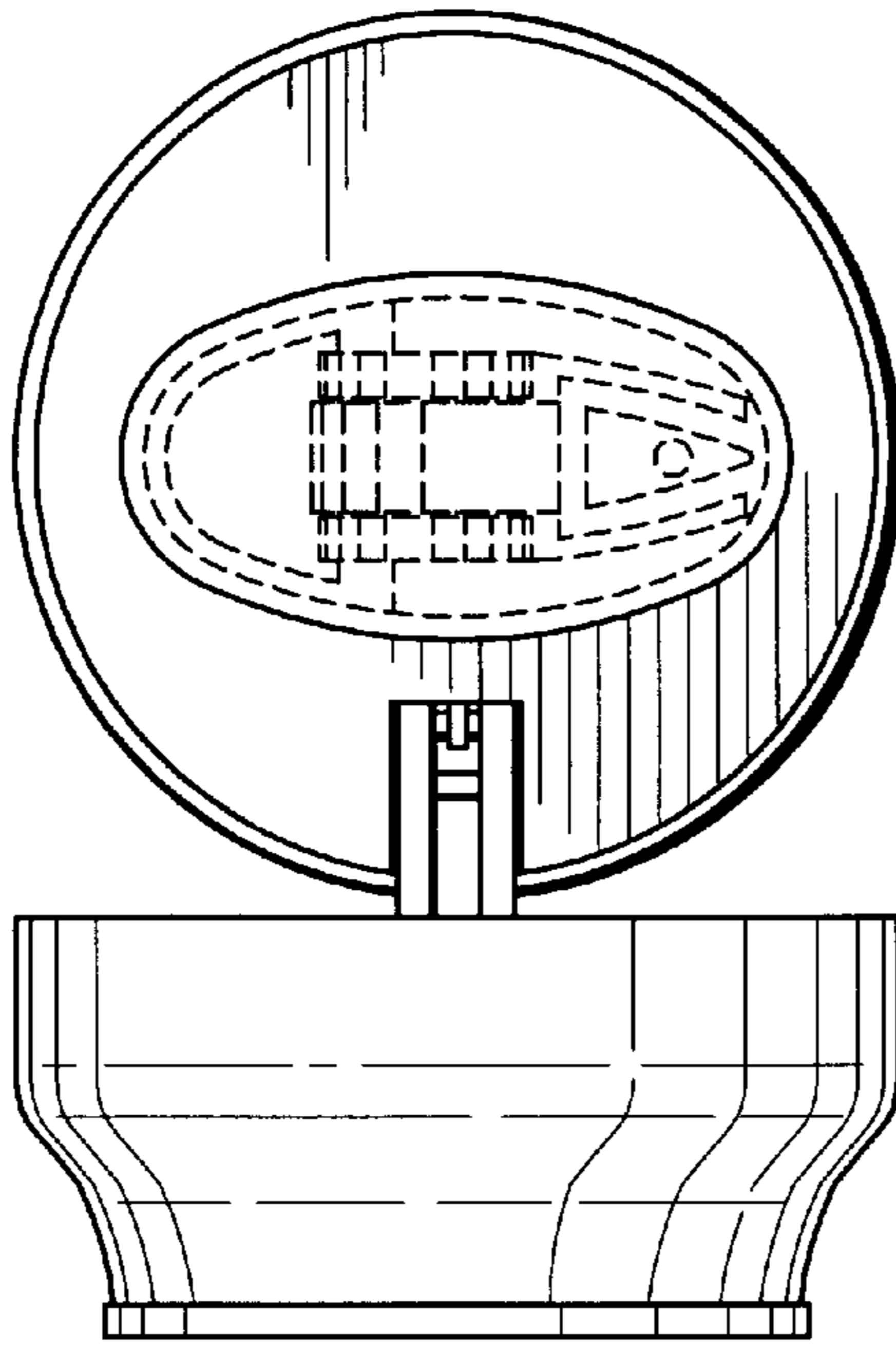


Fig. 5

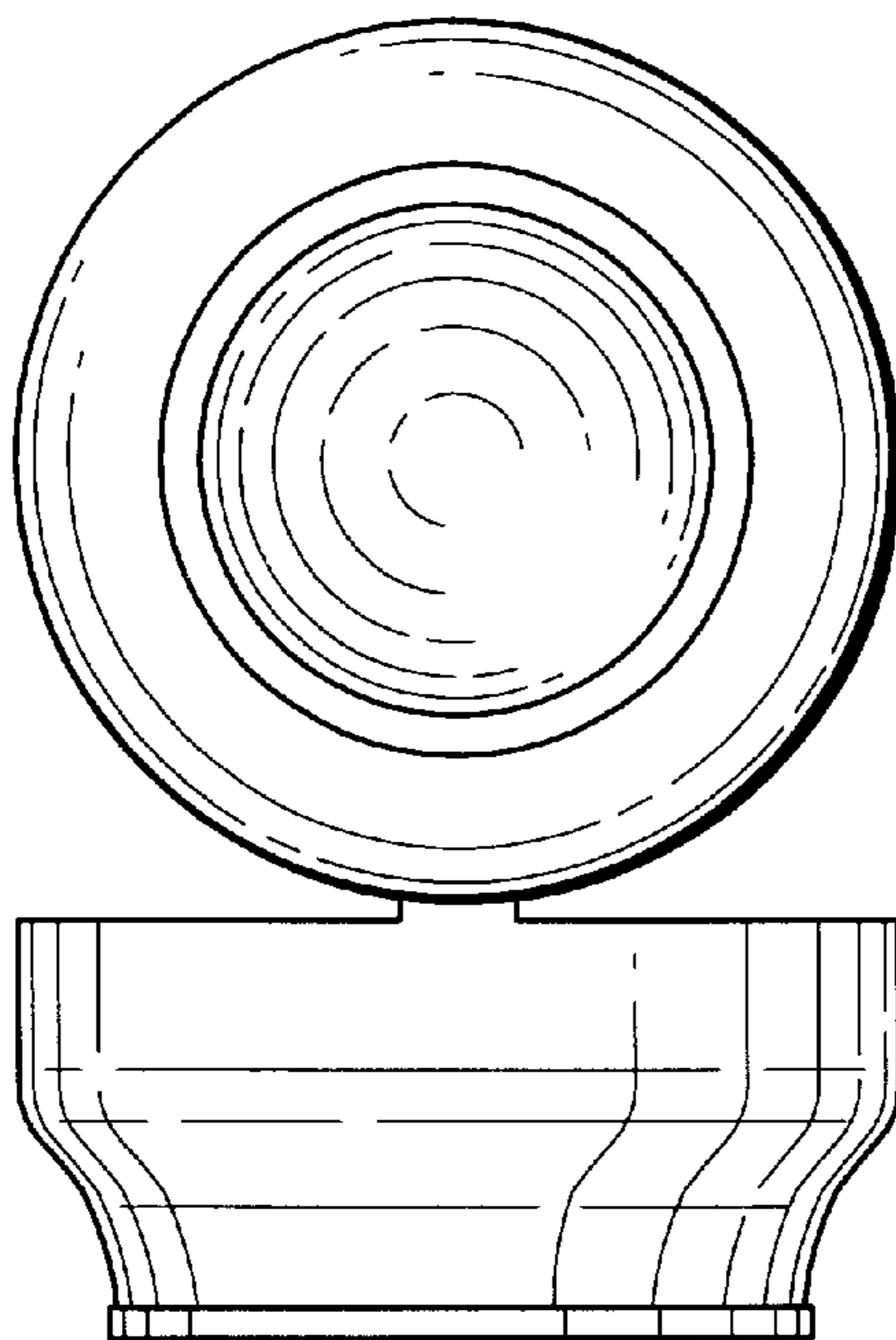


Fig. 6