



US00D417523S

United States Patent [19]
Kluck

[11] **Patent Number: Des. 417,523**

[45] **Date of Patent: ** Dec. 7, 1999**

[54] **PORTION OF A LIGHTING FIXTURE**

[75] Inventor: **Kevin Von Kluck**, Hudson, Ohio

[73] Assignee: **The L. D. Kichler Co.**, Cleveland, Ohio

[**] Term: **14 Years**

[21] Appl. No.: **29/094,495**

[22] Filed: **Oct. 3, 1998**

[51] **LOC (6) Cl.** **26-99**

[52] **U.S. Cl.** **D26/144; D26/89**

[58] **Field of Search** D26/72, 80-92,
D26/144, 145, 149, 148; 362/147, 404-408

[56] **References Cited**

U.S. PATENT DOCUMENTS

D. 398,068 9/1998 Millicia D26/81

OTHER PUBLICATIONS

Hartford Prospect catalog, dated Oct. 1997, p. 14, printed U.S.

Corbett lighting catalog, p. 29, chandelier support, Aug. 1995.

Checkolite Internationa catalog, p. 2, chandelier support, #1200-26, 1993.

Primary Examiner—Susan J. Lucas

Attorney, Agent, or Firm—Watts, Hoffmann, Fisher & Heinke, Co., L.P.A.

[57] **CLAIM**

I claim the ornamental design for a portion of a lighting fixture, as shown and described.

DESCRIPTION

FIG. 1 is a perspective view of a portion of the lighting fixture showing my new design;

FIG. 2 is a front elevational view of a portion of the lighting fixture, the rear elevational view being a mirror image;

FIG. 3 is a left side elevational view of a portion of the lighting fixture;

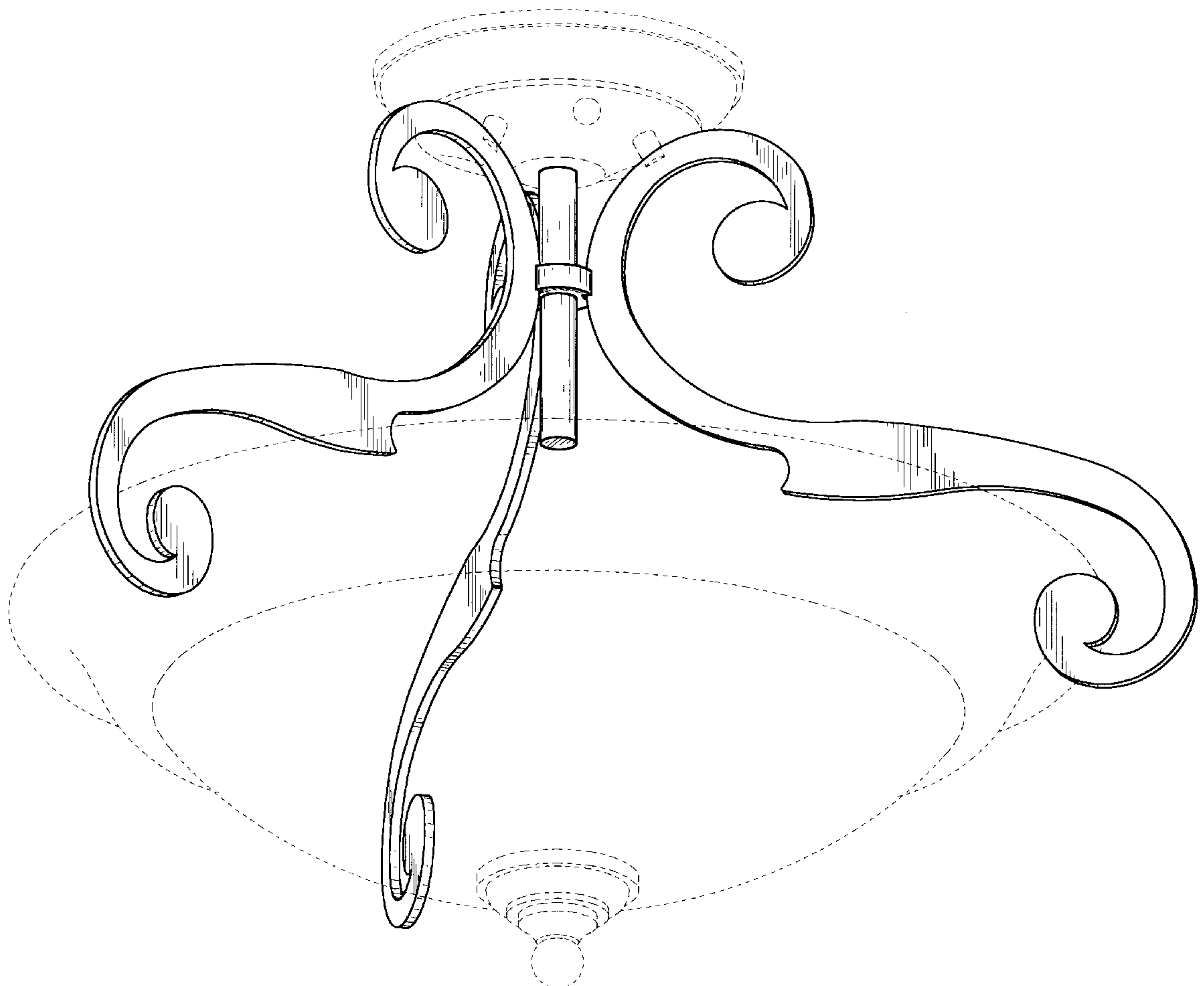
FIG. 4 is a right side elevational view of a portion of the lighting fixture;

FIG. 5 is a top plan view of a portion of the lighting fixture; and,

FIG. 6 is bottom plan view of a portion of the lighting fixture.

The broken lines shown are for illustrative purposes only and forms no part of the claimed design.

1 Claim, 6 Drawing Sheets



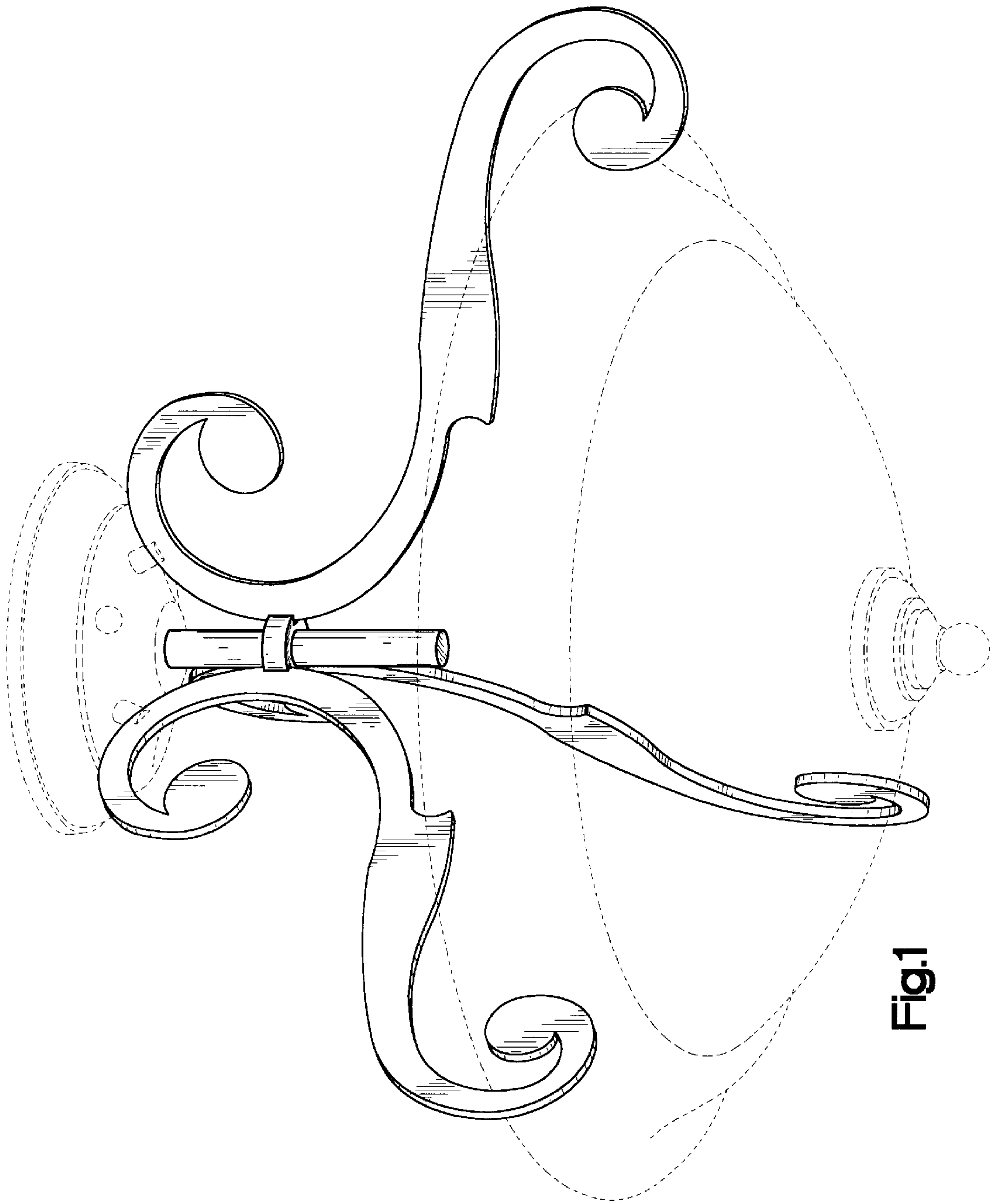


Fig.1

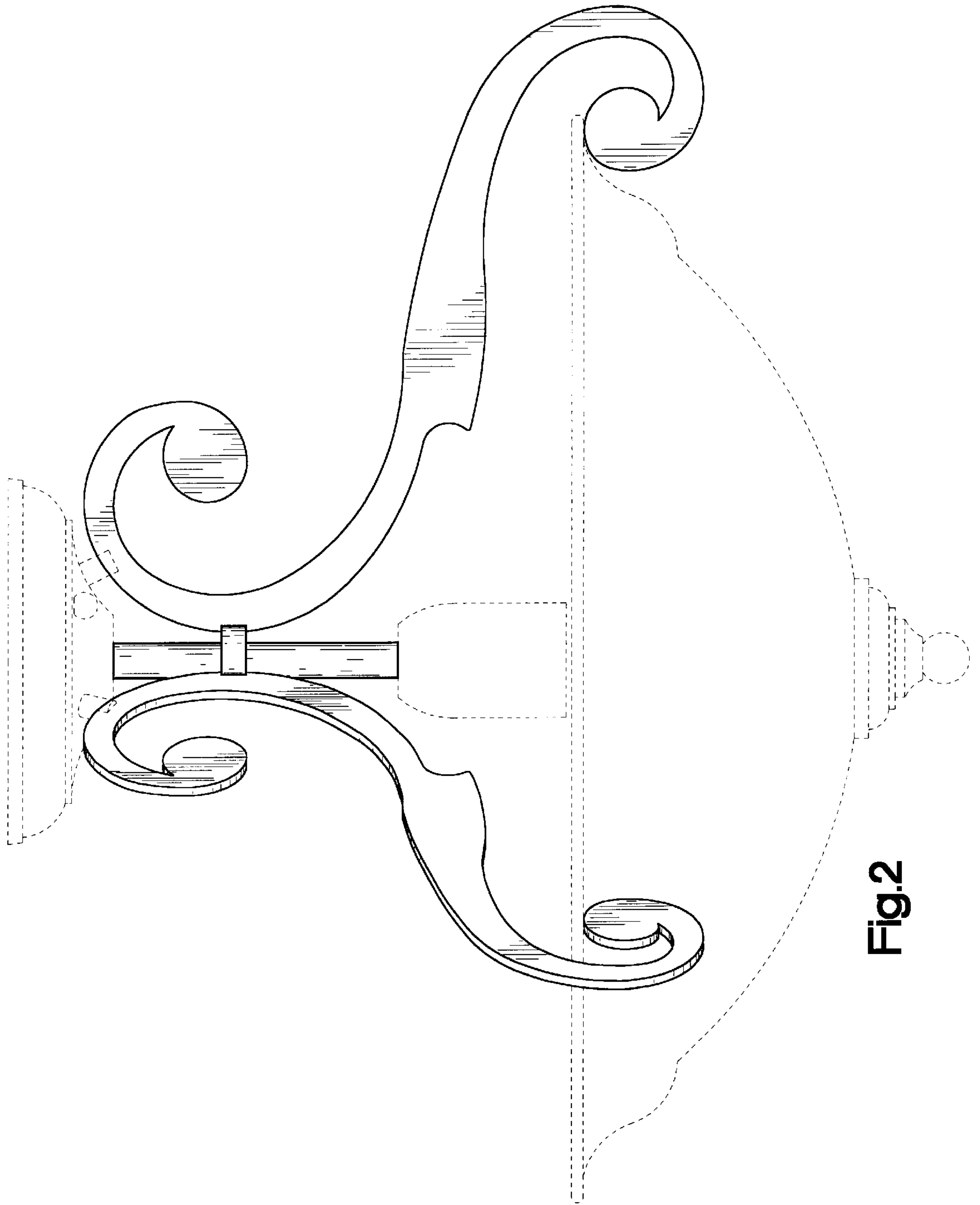


Fig.2

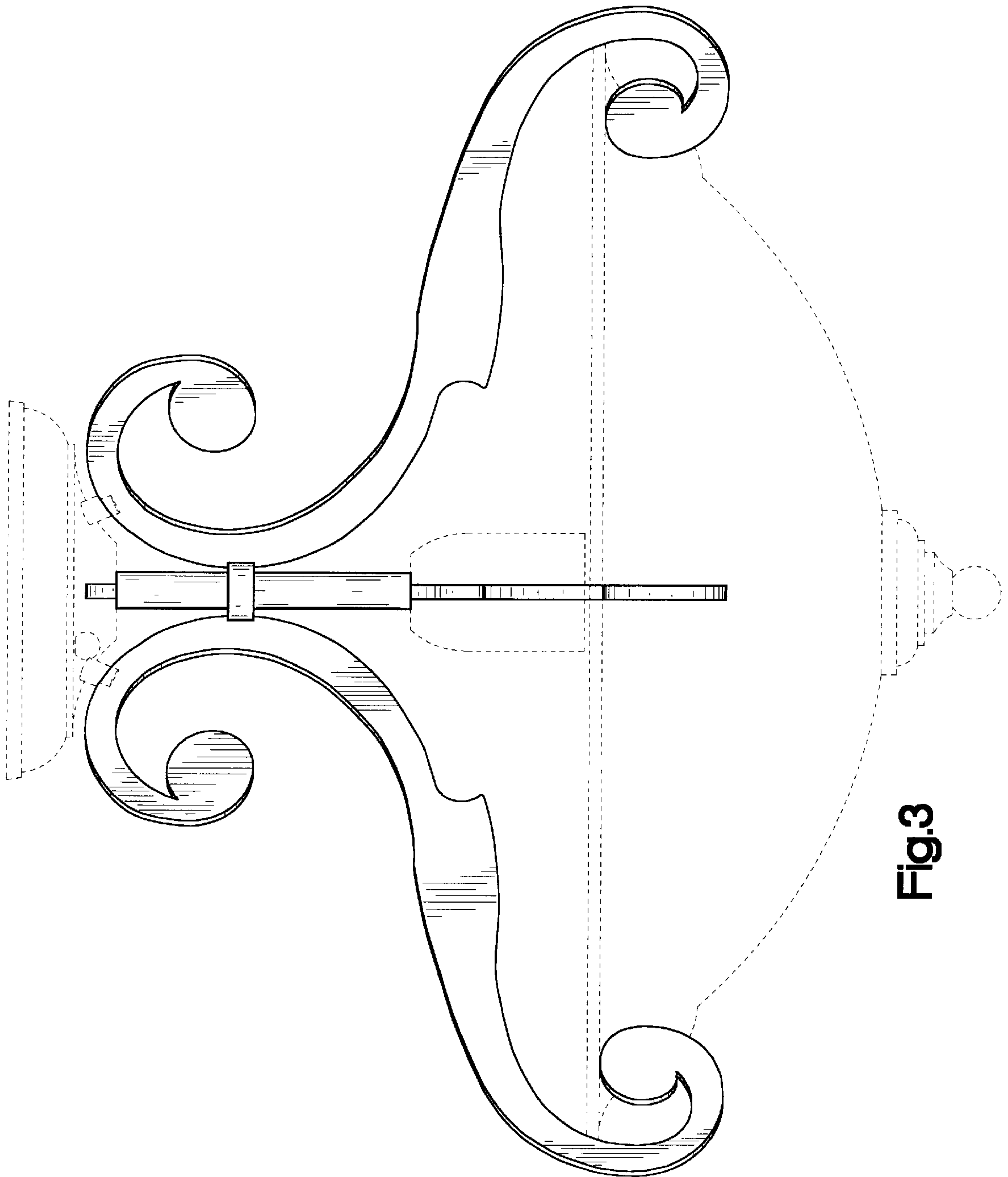


Fig.3

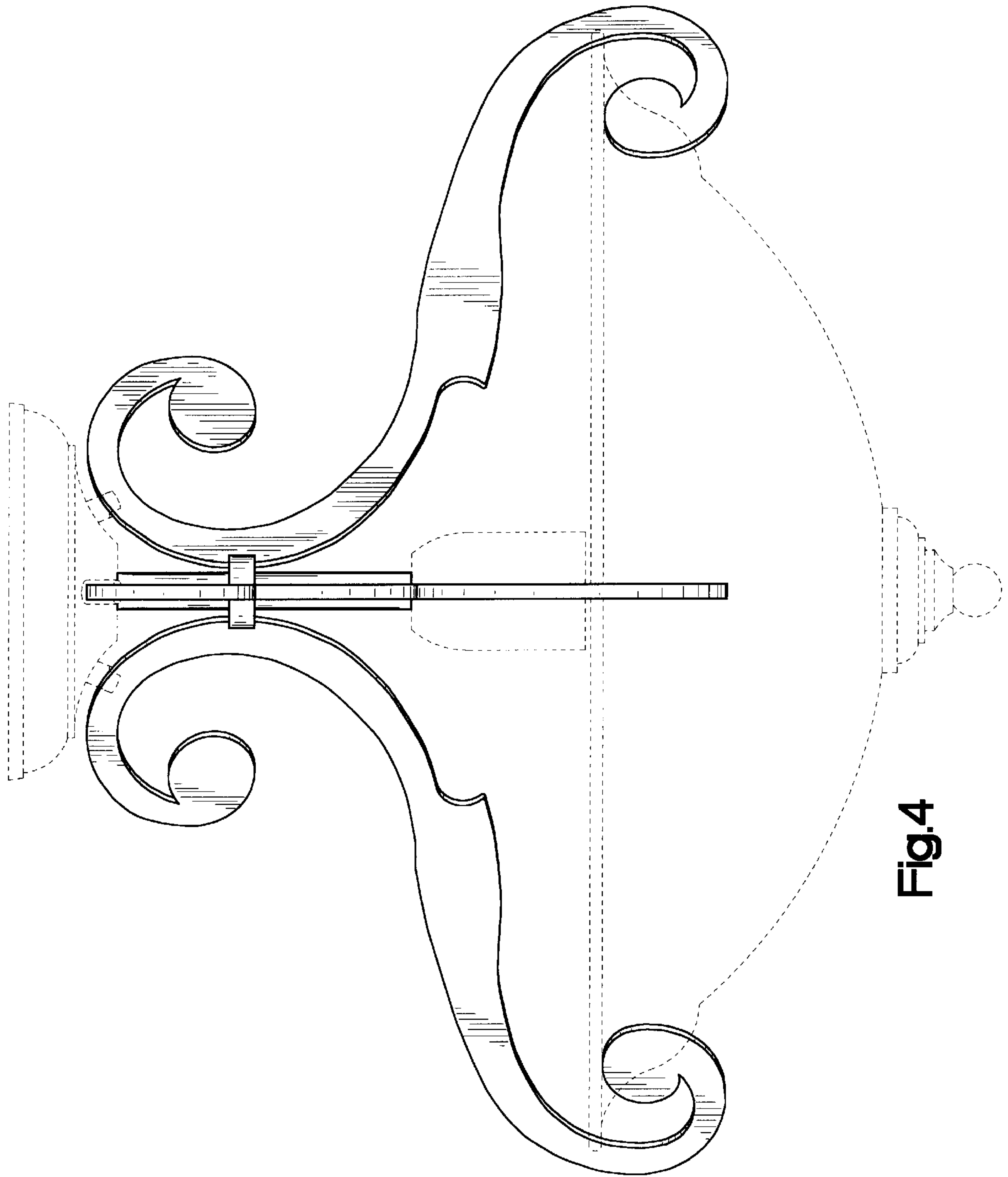


Fig.4

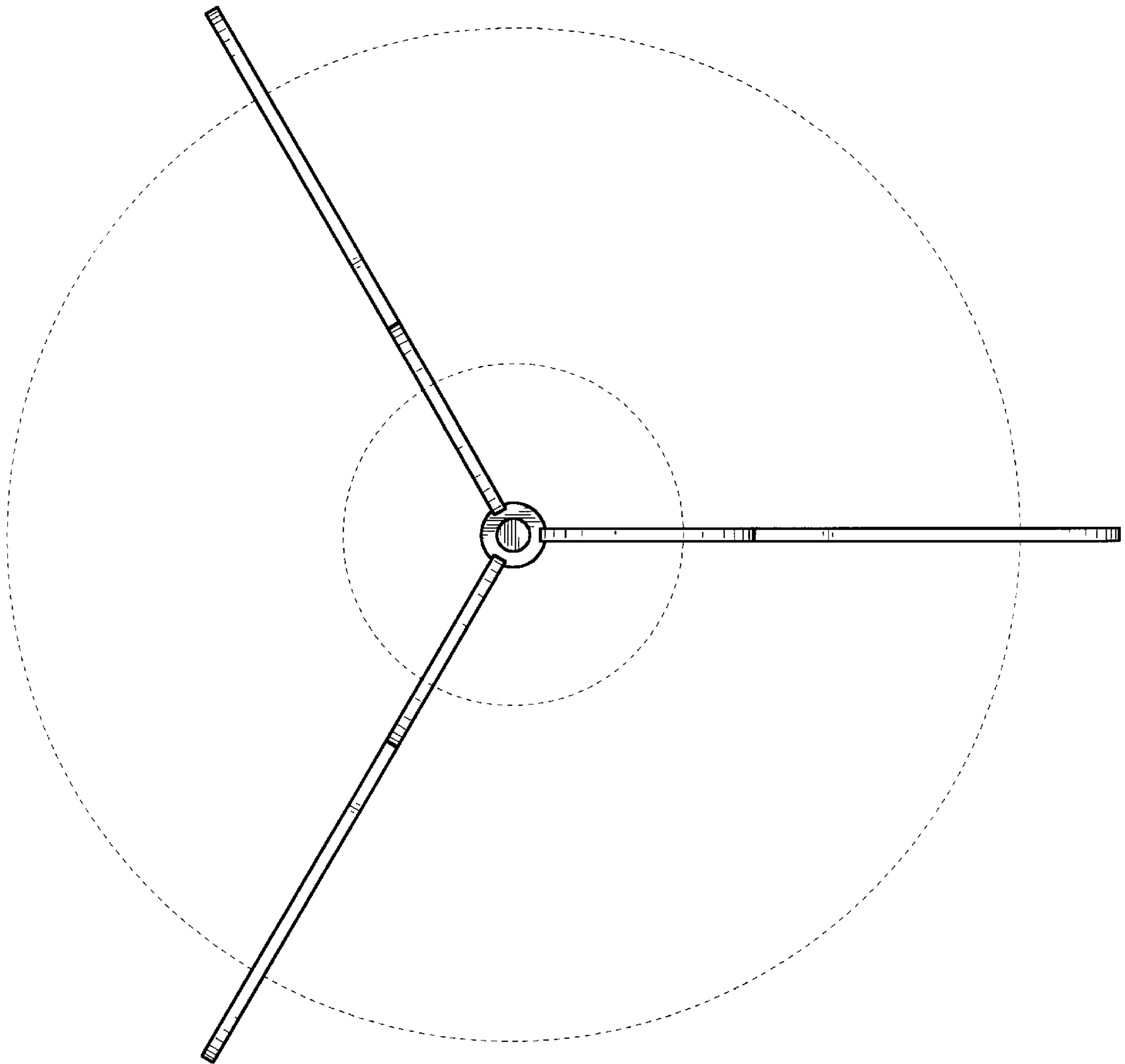


Fig.5

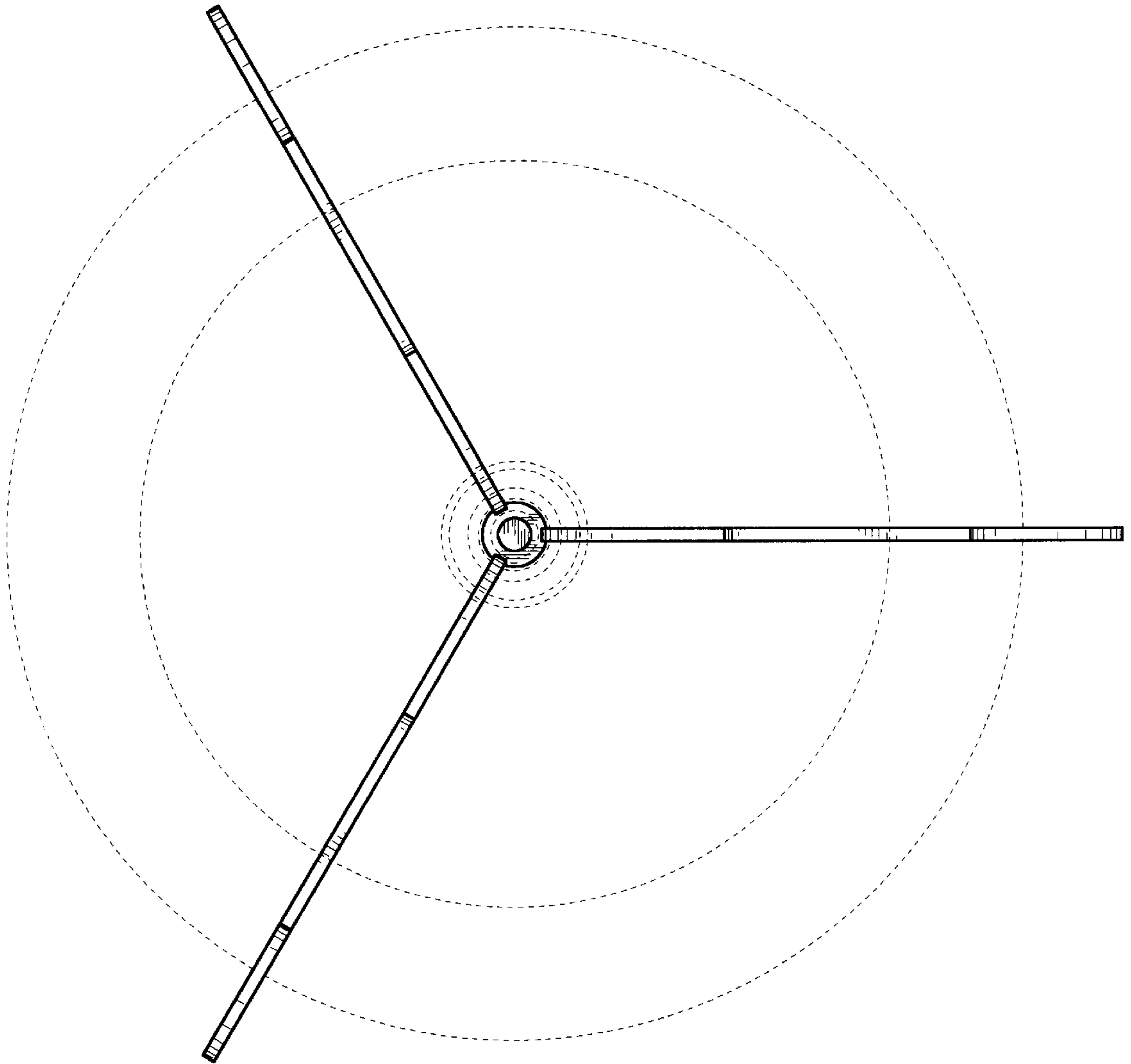


Fig.6