



US00D417522S

# United States Patent [19]

[11] Patent Number: **Des. 417,522**

**Klaus**

[45] Date of Patent: **\*\* Dec. 7, 1999**

## [54] OUTDOOR LIGHTING FIXTURE

## DESCRIPTION

[75] Inventor: **Dale A. Klaus**, St. Albans, Mo.

FIG. 1 Is a perspective view of an outdoor lighting fixture of the present invention which can be mounted on a pole or a wall;

[73] Assignee: **Dal Partnership**, St. Louis, Mo.

FIG. 2 is a right side elevational view thereof;

[\*\*] Term: **14 Years**

FIG. 3 is a left side elevational view thereof;

[21] Appl. No.: **29/087,710**

FIG. 4 is a back elevational view thereof;

[22] Filed: **May 7, 1998**

FIG. 5 is a front elevational view thereof;

[51] LOC (6) Cl. .... **26-05**

FIG. 6 is a top plan view thereof;

[52] U.S. Cl. .... **D26/87; D26/67**

FIG. 7 is a bottom plan view thereof;

[58] Field of Search ..... D26/67, 68, 69, D26/70, 71, 87, 92; 362/250, 147, 431, 432, 297, 346, 403, 291

FIG. 8 is a perspective view of a second embodiment of the outdoor lighting fixture;

FIG. 9 is a side elevational view thereof, the left and right sides being mirror images of each other;

## [56] References Cited

FIG. 10 is a front elevational view thereof, the front and back sides being mirror images of each other;

### U.S. PATENT DOCUMENTS

FIG. 11 is a top plan view thereof;

FIG. 12 is bottom plan view thereof;

D. 150,357	7/1948	Herbster	.....	D26/86	X
D. 366,713	1/1996	Cornell et al.	.....	D26/68	
D. 379,547	5/1997	Tognu'	.....	D26/92	
3,593,014	7/1971	Vesely	.....	362/291	
4,115,845	9/1978	Blahut	.....	362/431	X
4,231,080	10/1980	Compton	.....	362/346	X
4,729,073	3/1988	Klaus	.....	362/147	
4,851,980	7/1989	McWilliams et al.	.....	362/431	X

FIG. 13 is a perspective view of a third embodiment of the outdoor lighting fixture;

FIG. 14 is a front elevational view thereof;

FIG. 15 is a back elevational view thereof;

FIG. 16 is a right elevational view thereof;

FIG. 17 is a left elevational view thereof;

FIG. 18 is a top plan view thereof;

FIG. 19 is a bottom plan view thereof;

### OTHER PUBLICATIONS

Rab Electric Mfg. Co. Catalog, 1976, "Garden & Patio Lighting".

FIG. 20 is a perspective view of a fourth embodiment of the outdoor lighting fixture;

FIG. 21 is a front elevational view thereof, the front and back views being mirror images of each other;

Illuminotecnica lighting magazine, p. 31, wall lamp, and triple post lamp, 1992.

FIG. 22 is side elevational view thereof, the left and right sides being mirror images of each other;

Yamagiwa catalog, p. 141, double pole top shade, 1993.

*Primary Examiner*—Susan J. Lucas

*Attorney, Agent, or Firm*—Polster, Lieder, Woodruff & Lucchesi

FIG. 23 is a top plan view thereof;

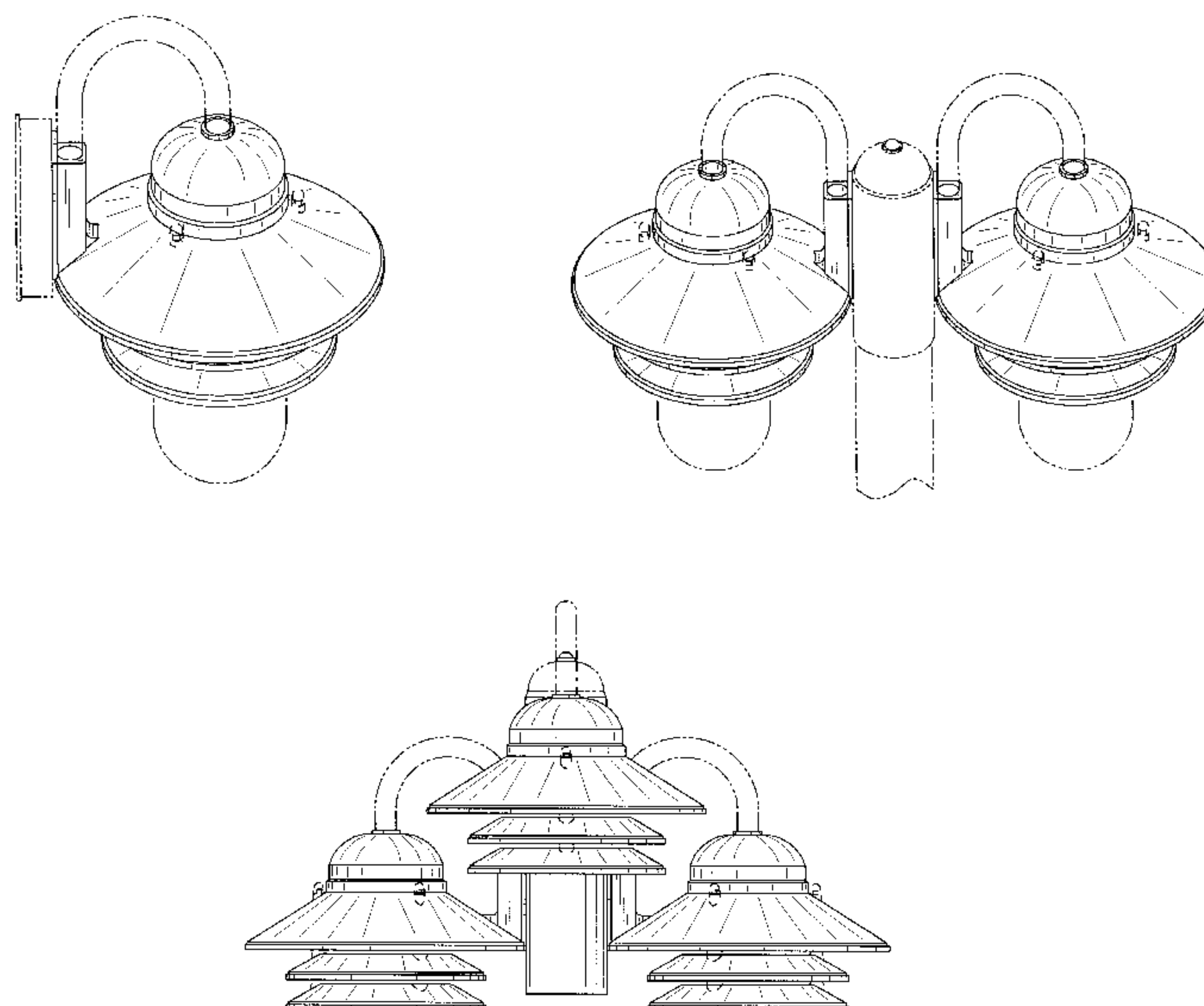
FIG. 24 is a bottom plan view thereof;

The broken lines are shown for illustrative purposes only and form no part of the claimed design.

## [57] CLAIM

The ornamental design for the outdoor lighting fixture as shown and described.

**1 Claim, 12 Drawing Sheets**



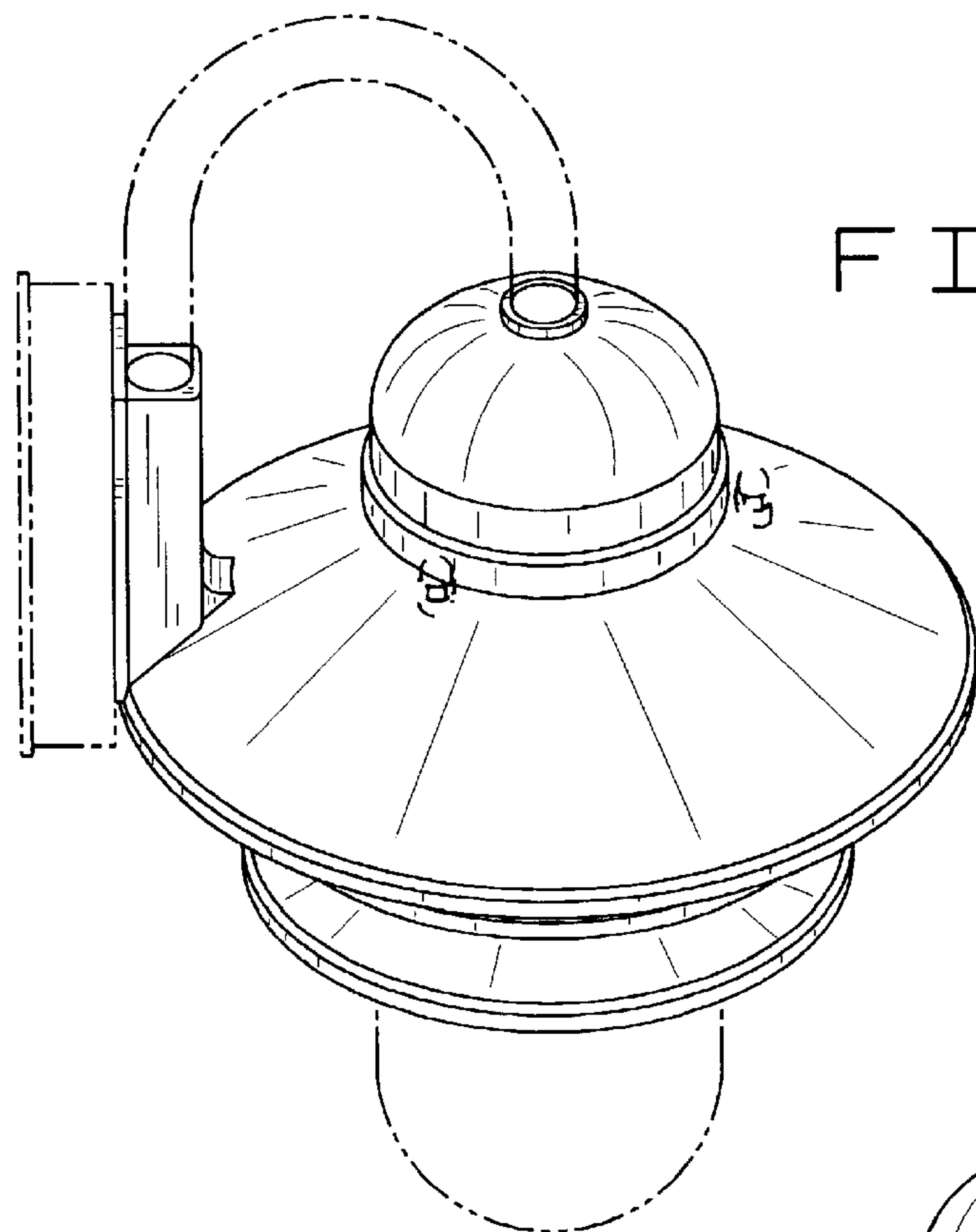


FIG. 1

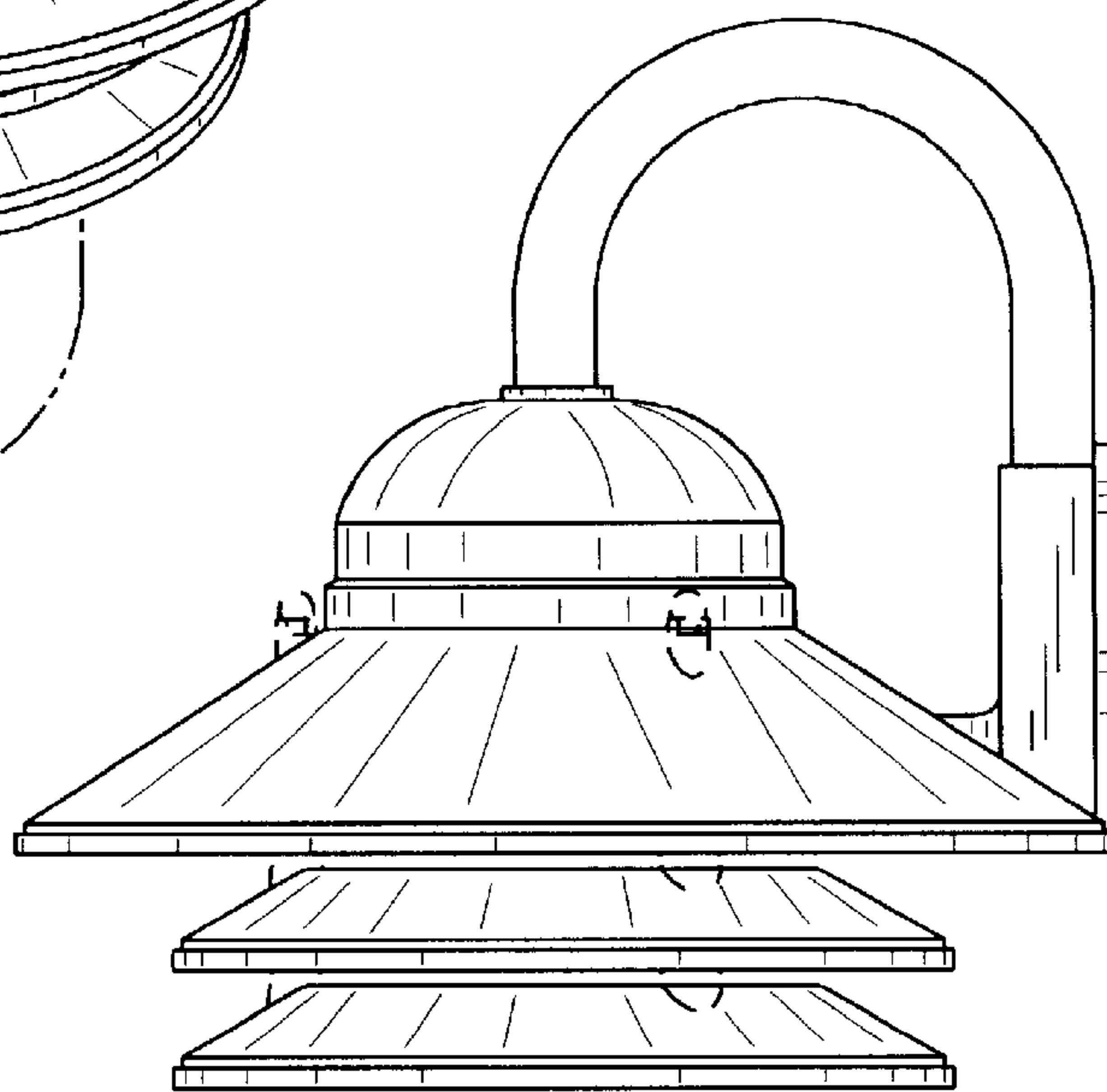


FIG. 3

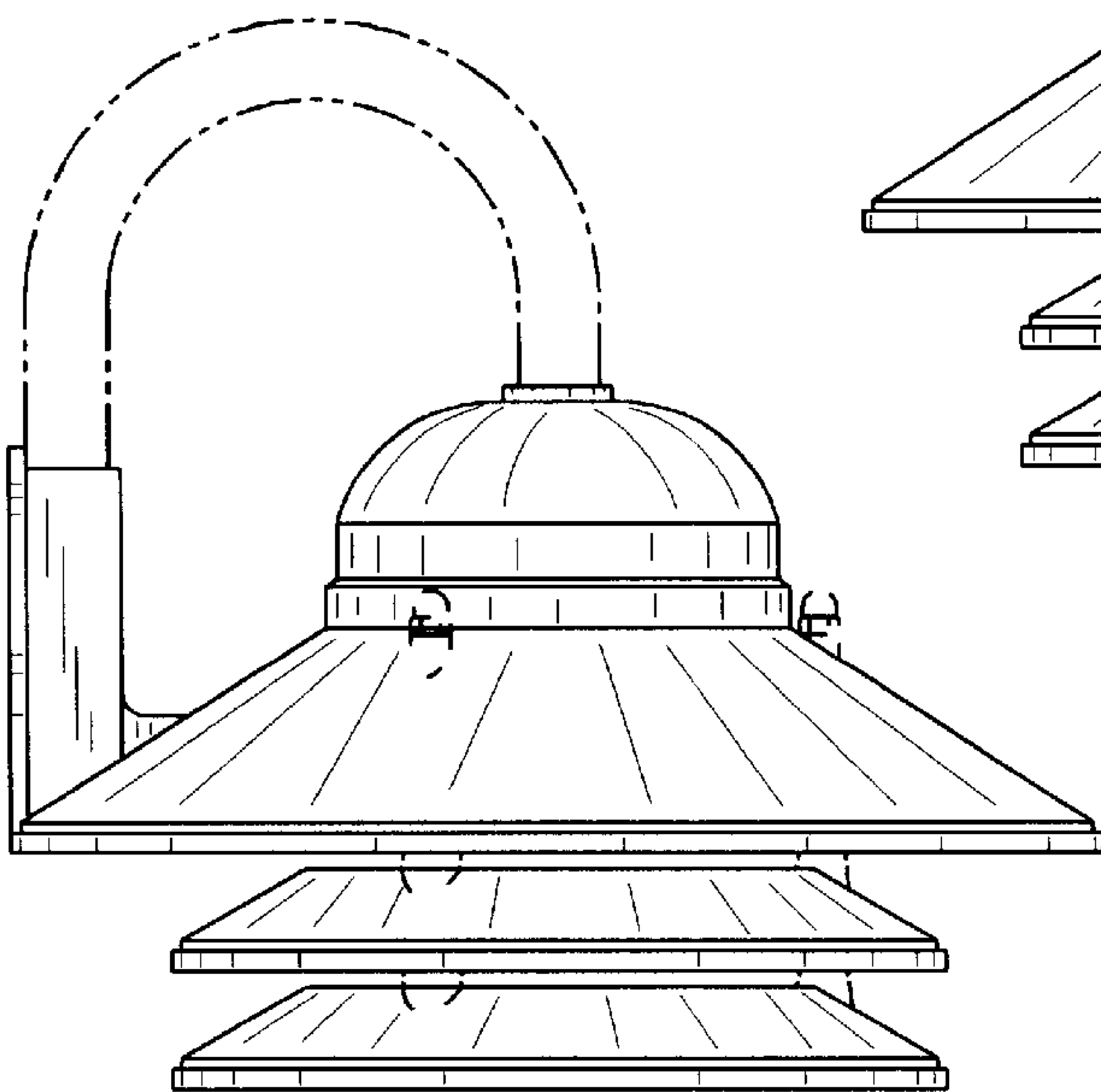


FIG. 2

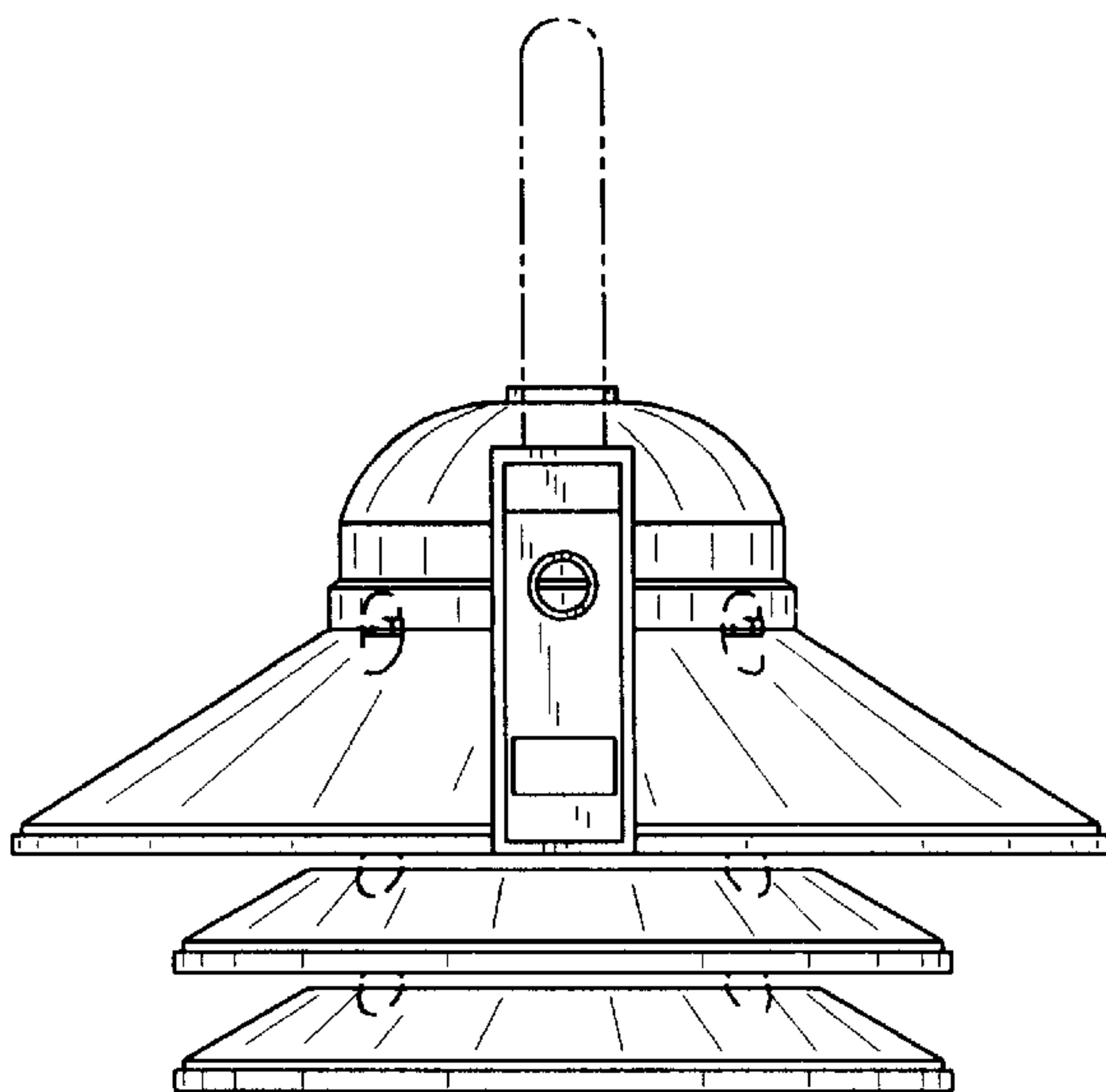


FIG. 4

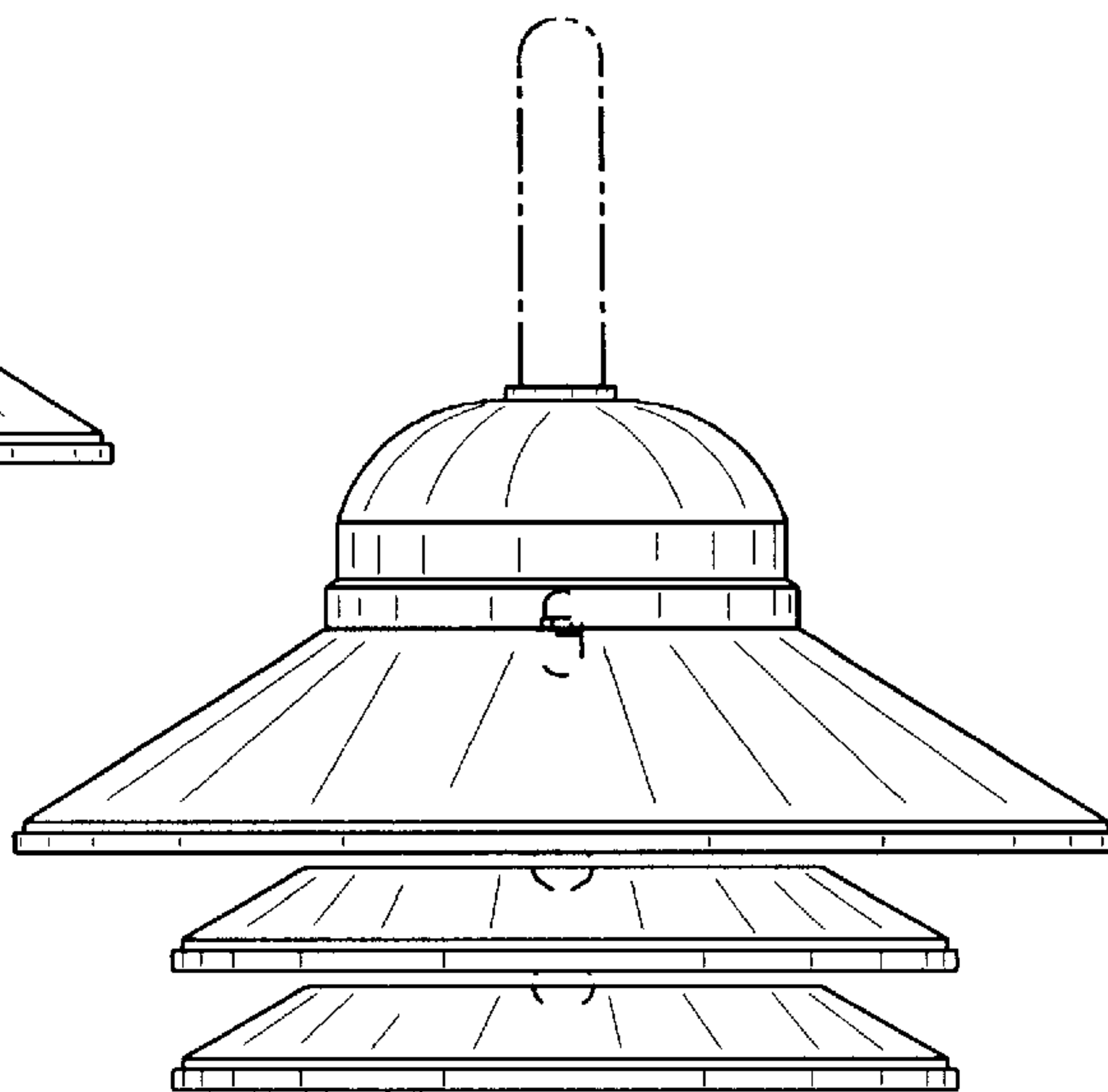


FIG. 5

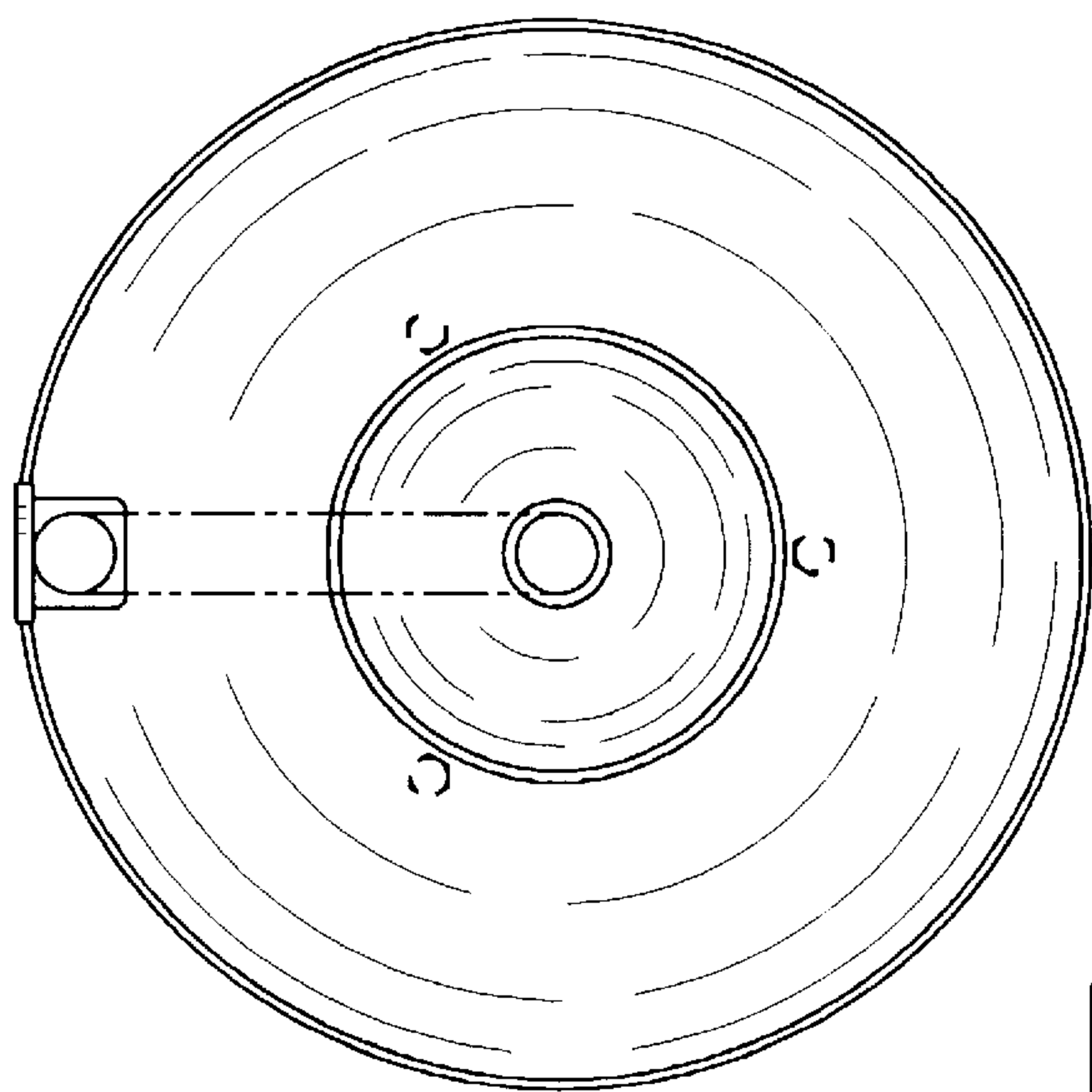


FIG. 6

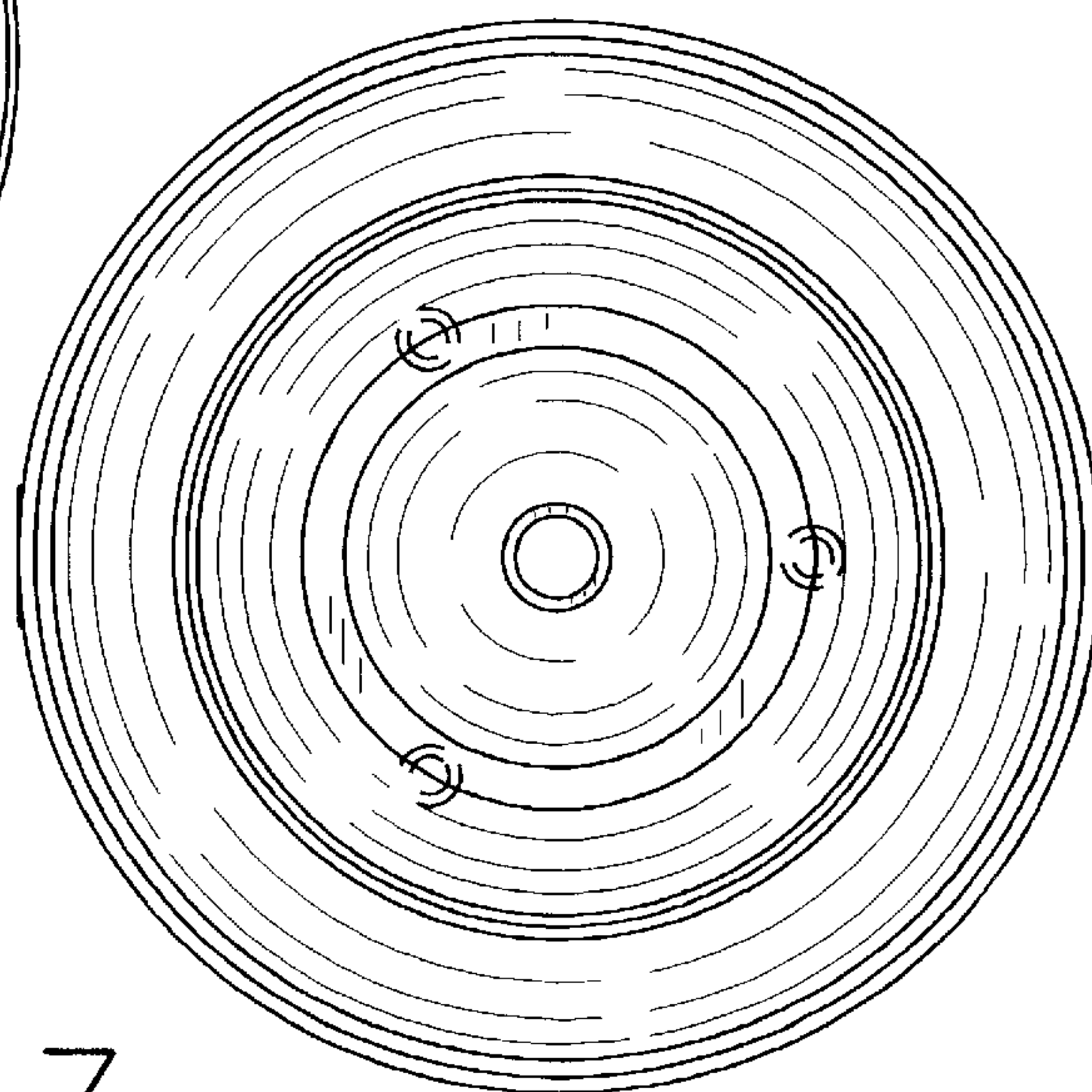


FIG. 7



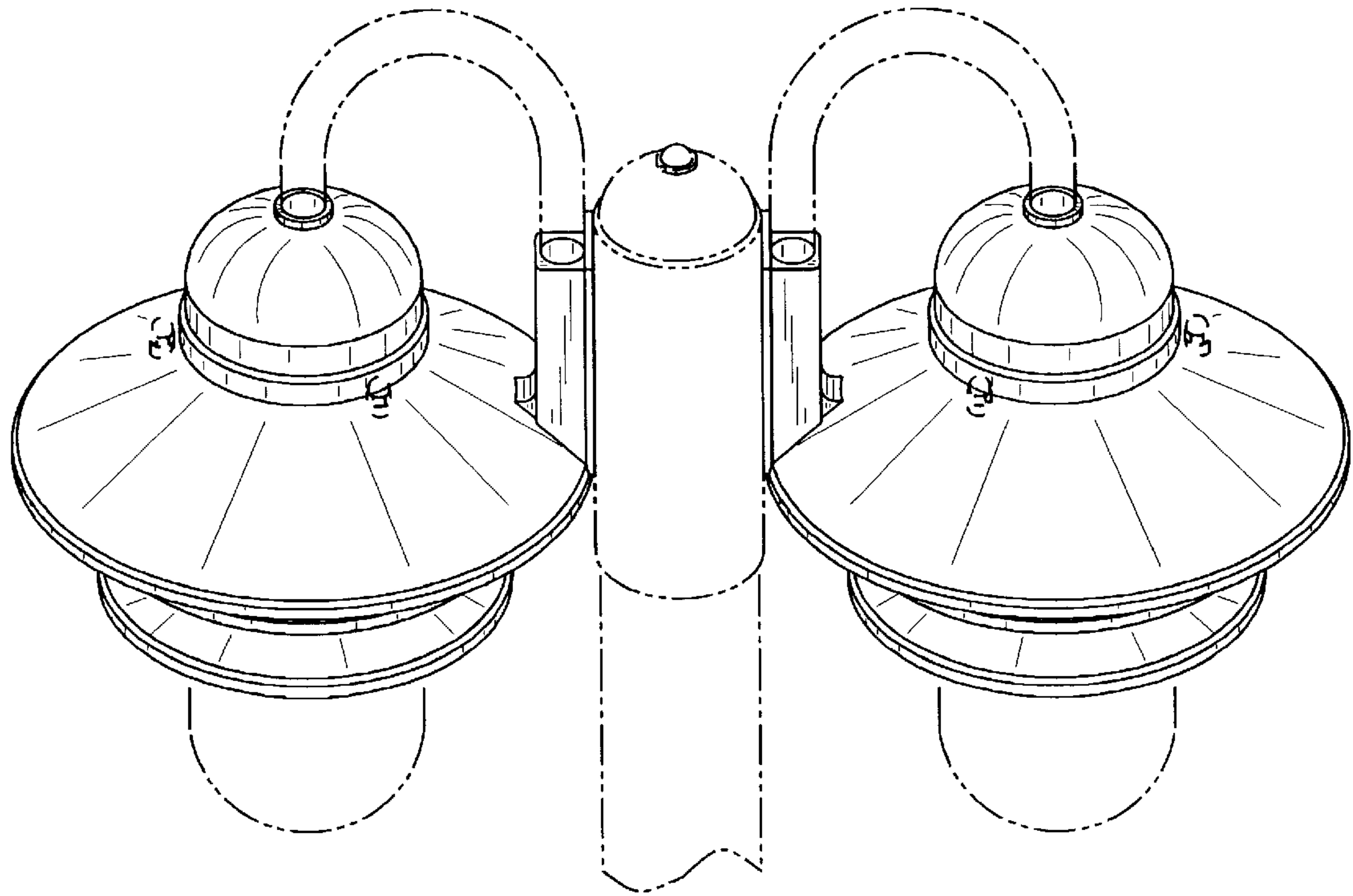


FIG. 8

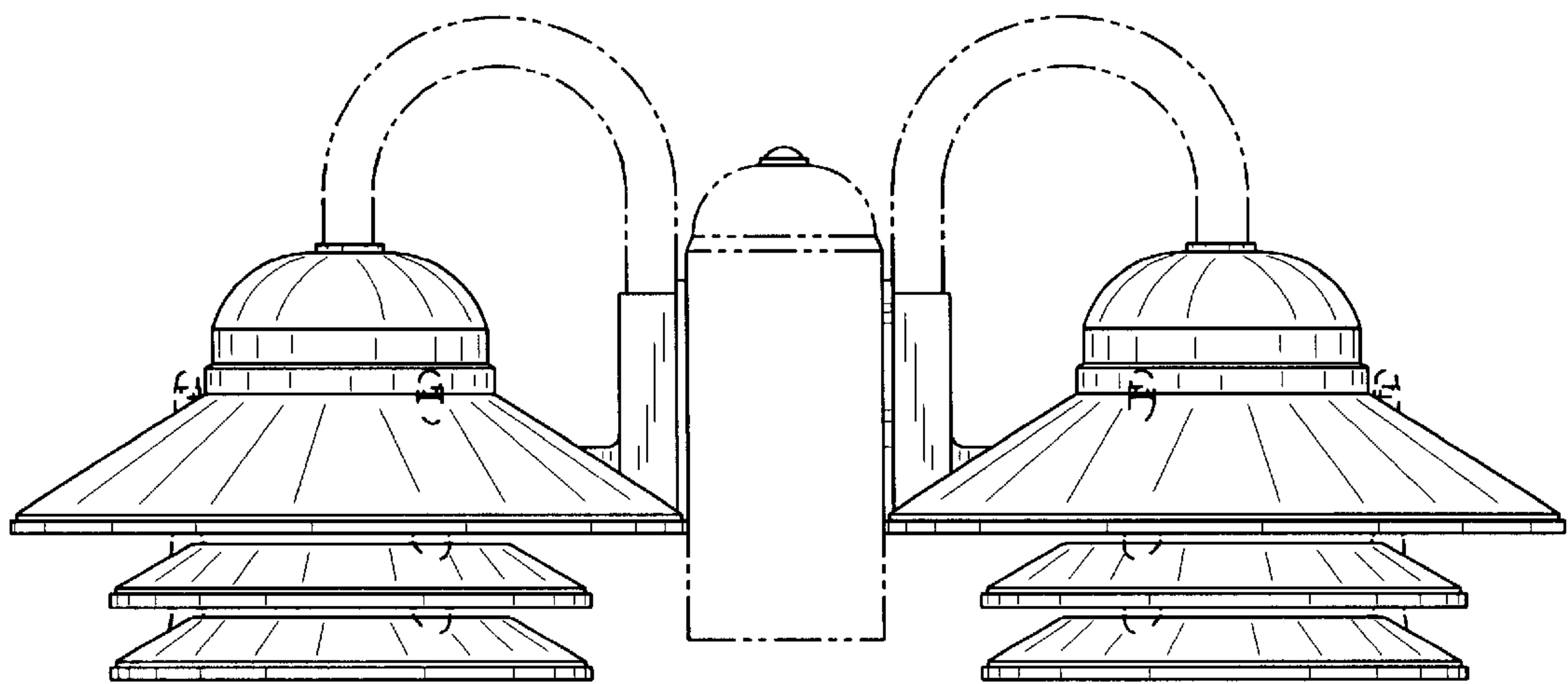


FIG. 9

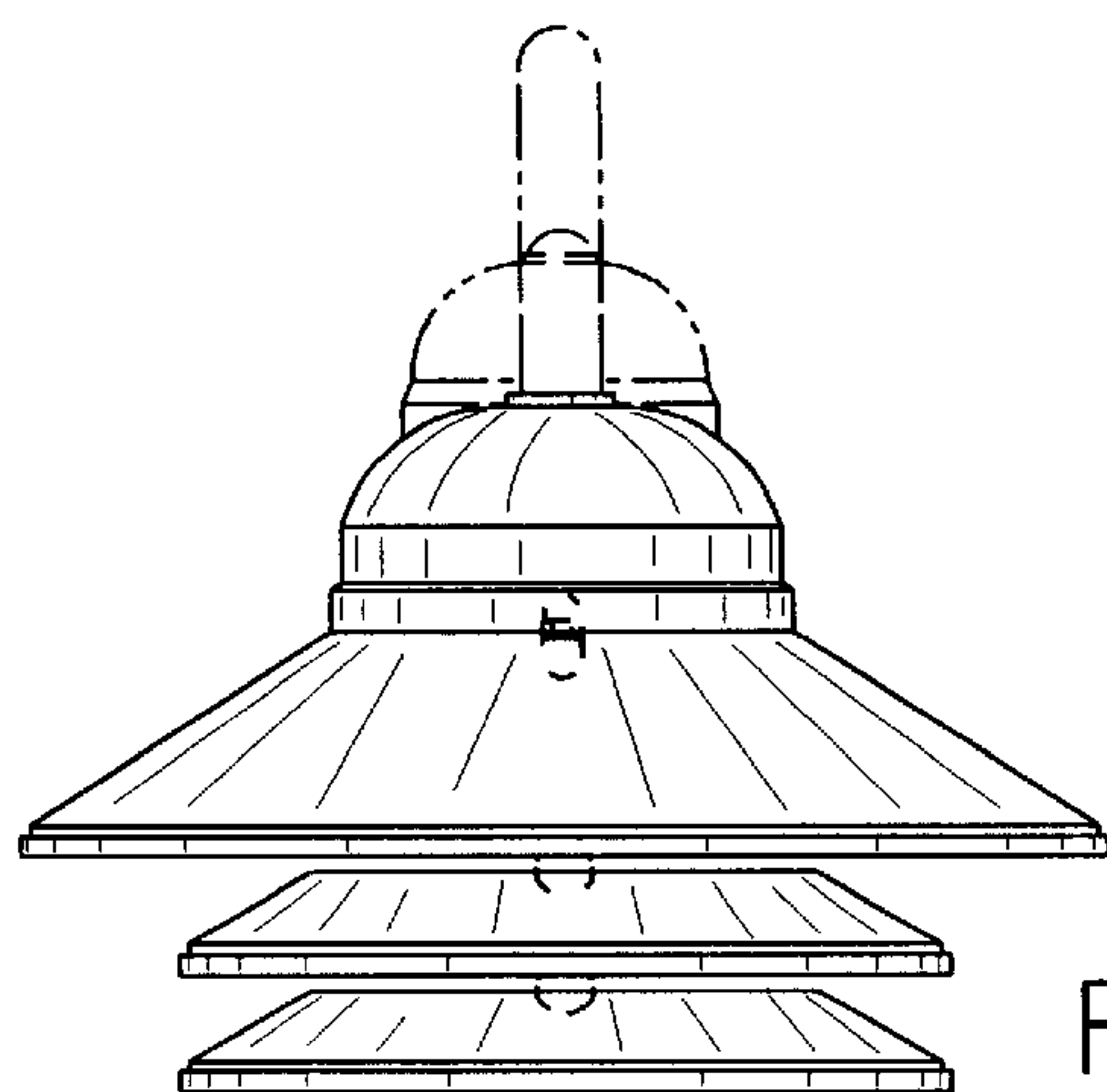


FIG. 10

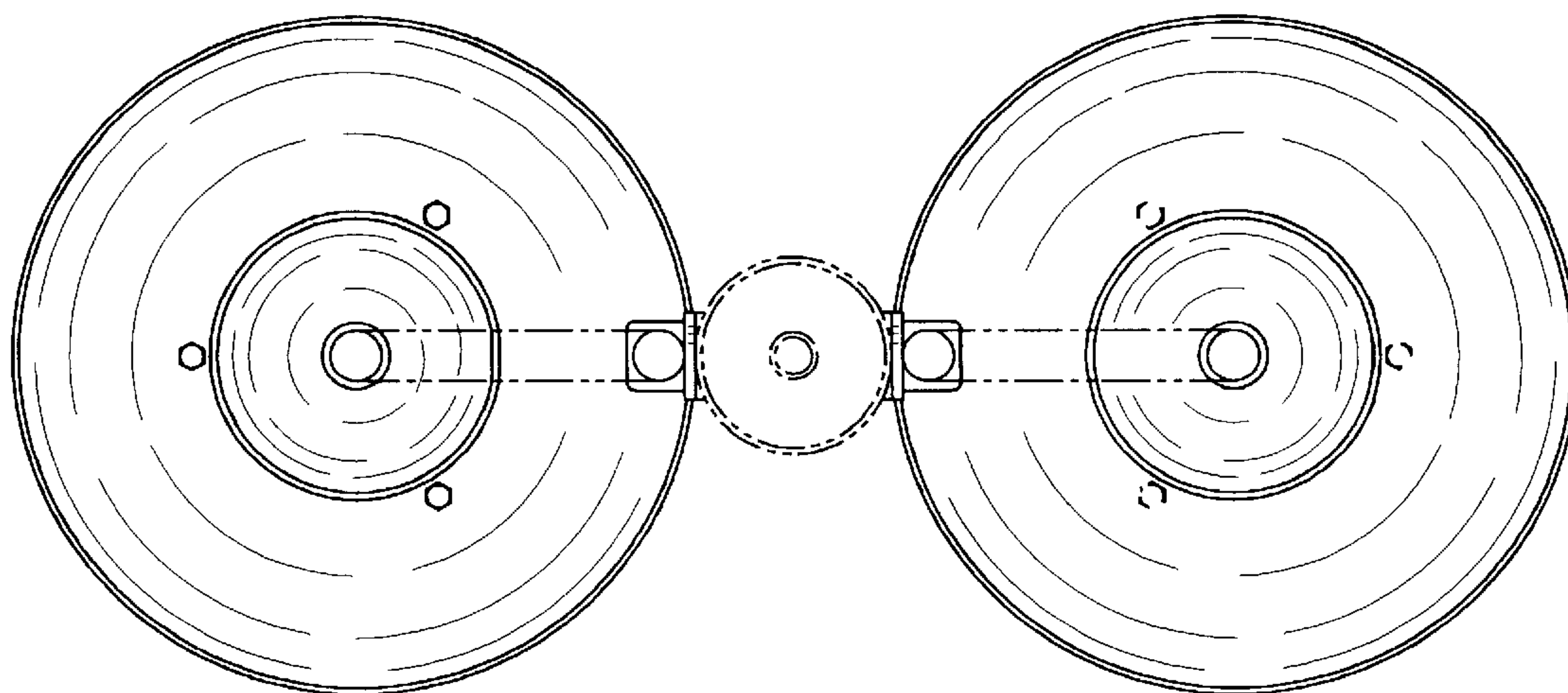


FIG. 11

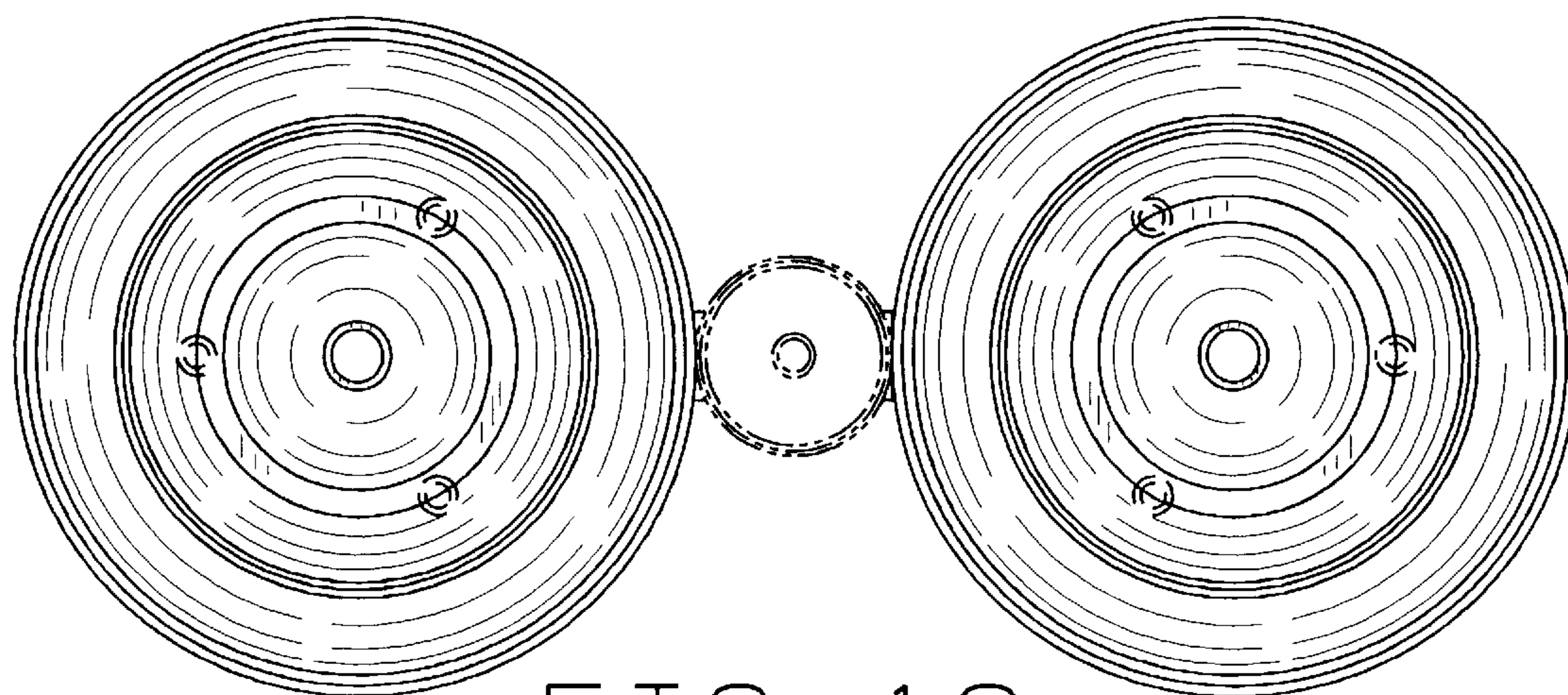


FIG. 12

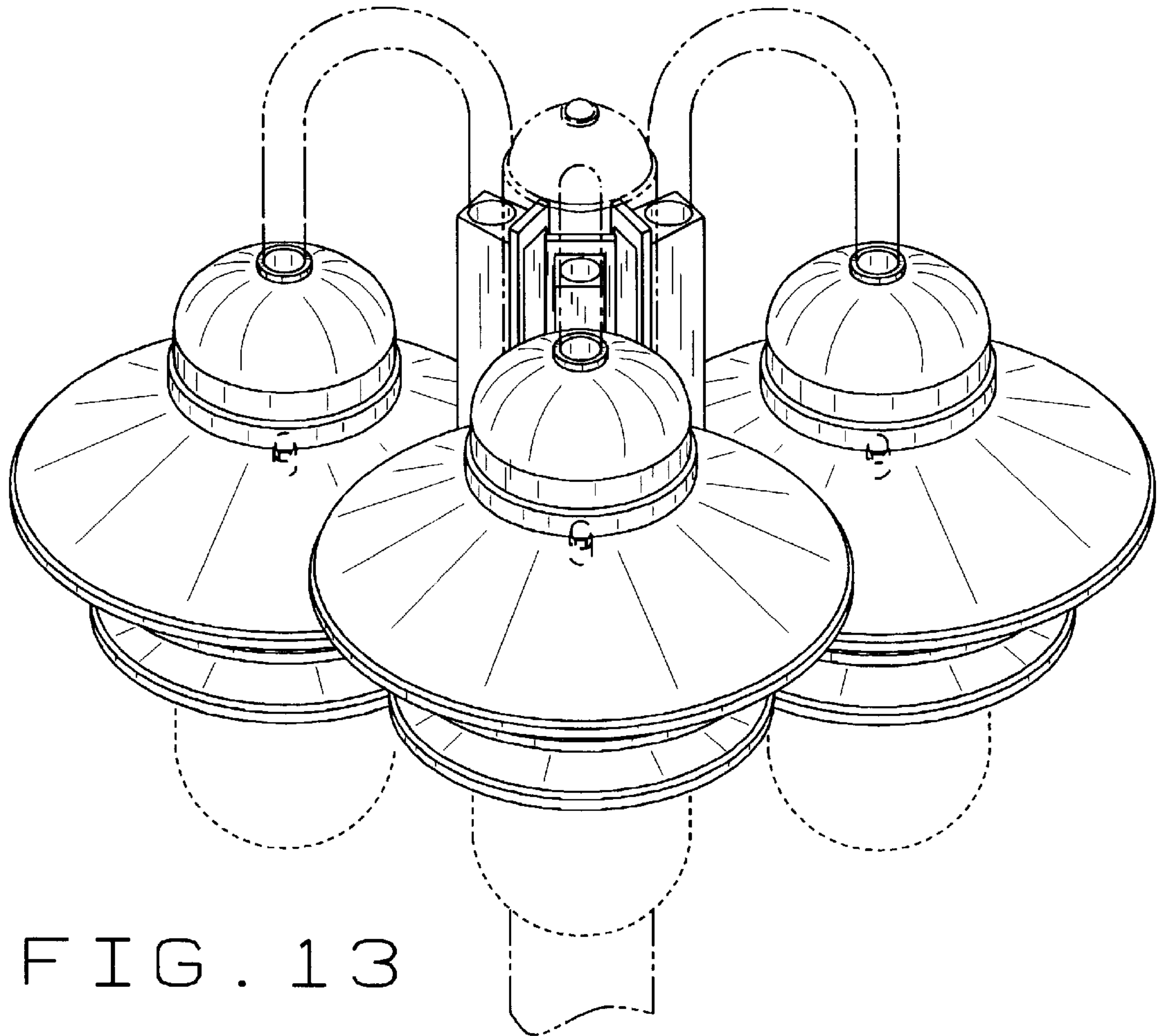


FIG. 13

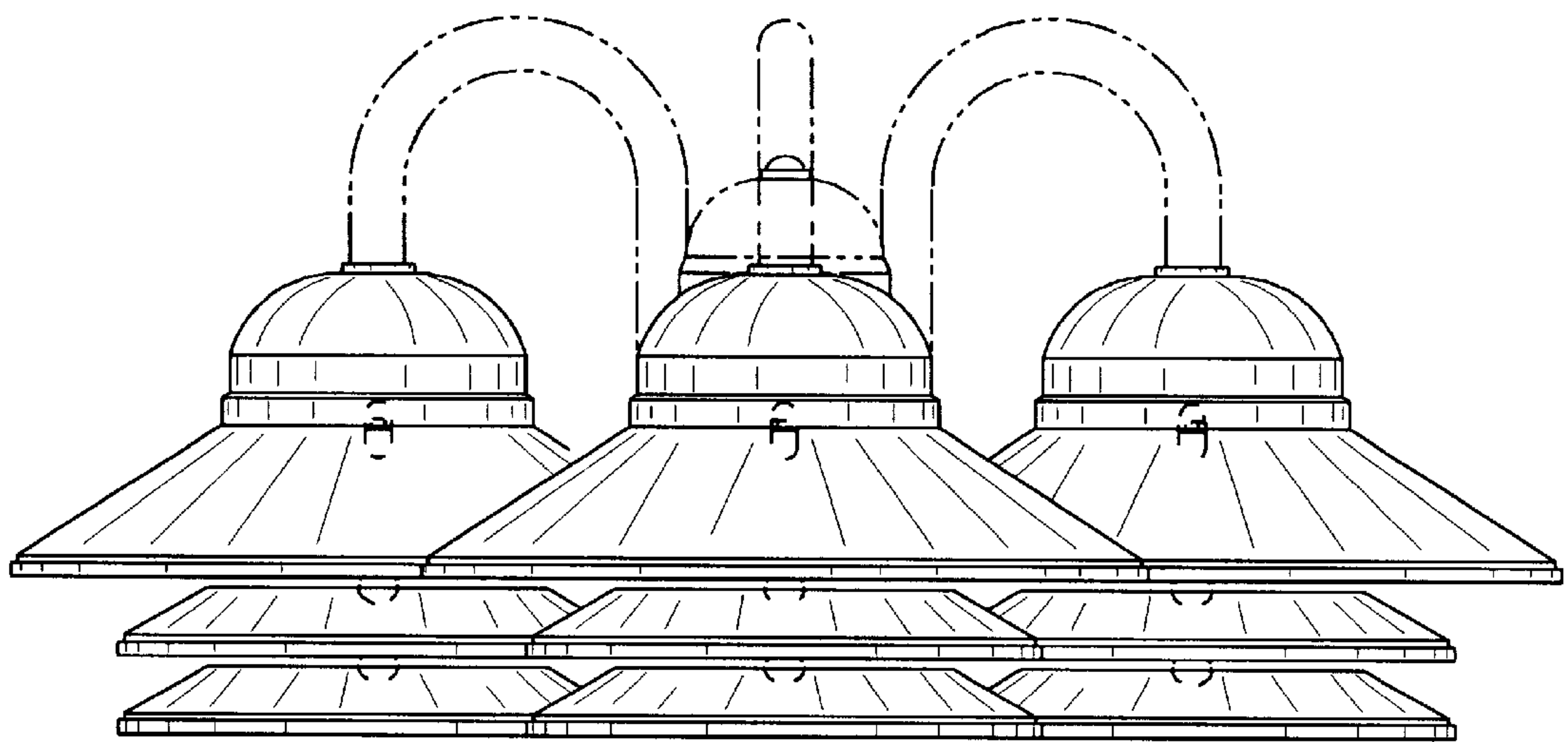


FIG. 14



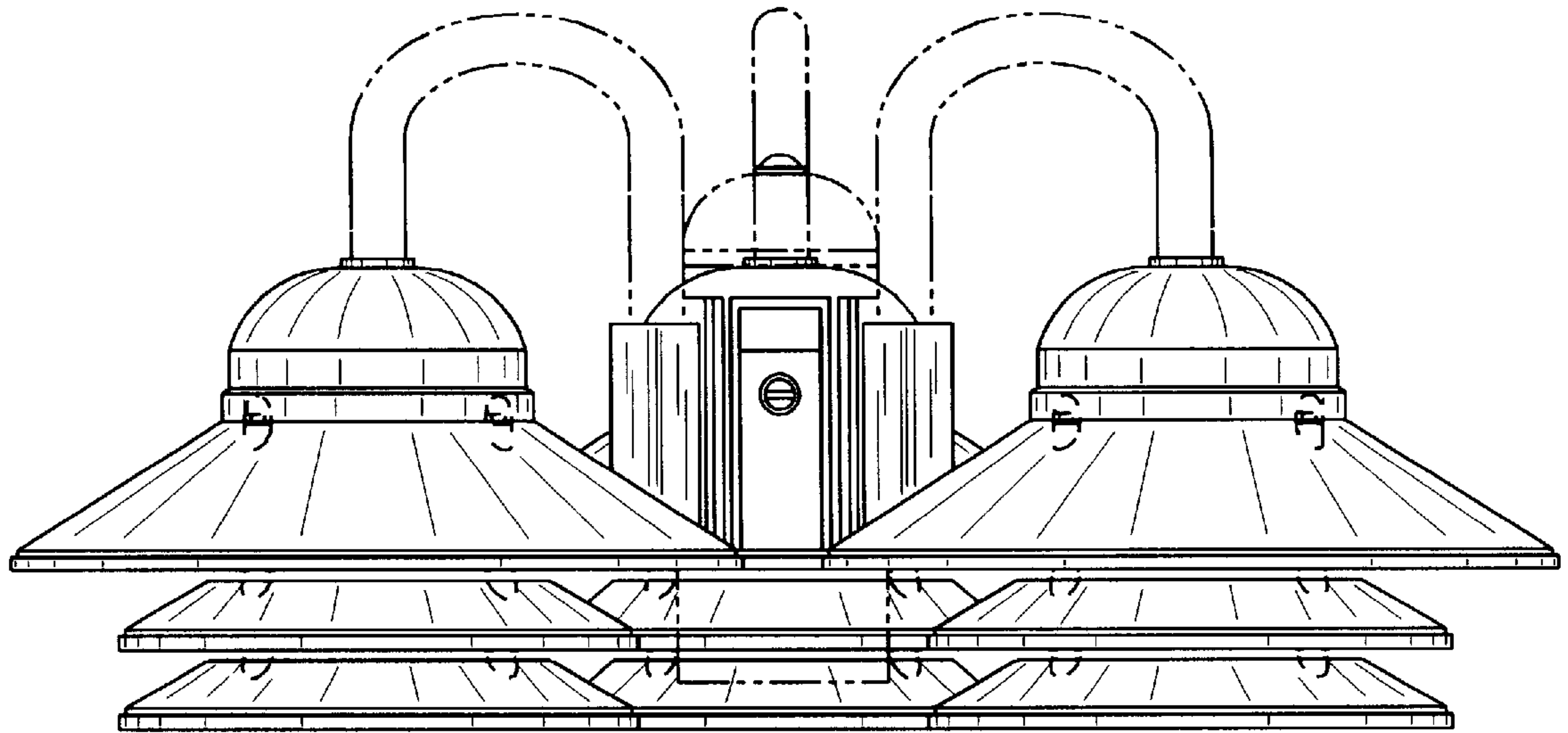


FIG. 15

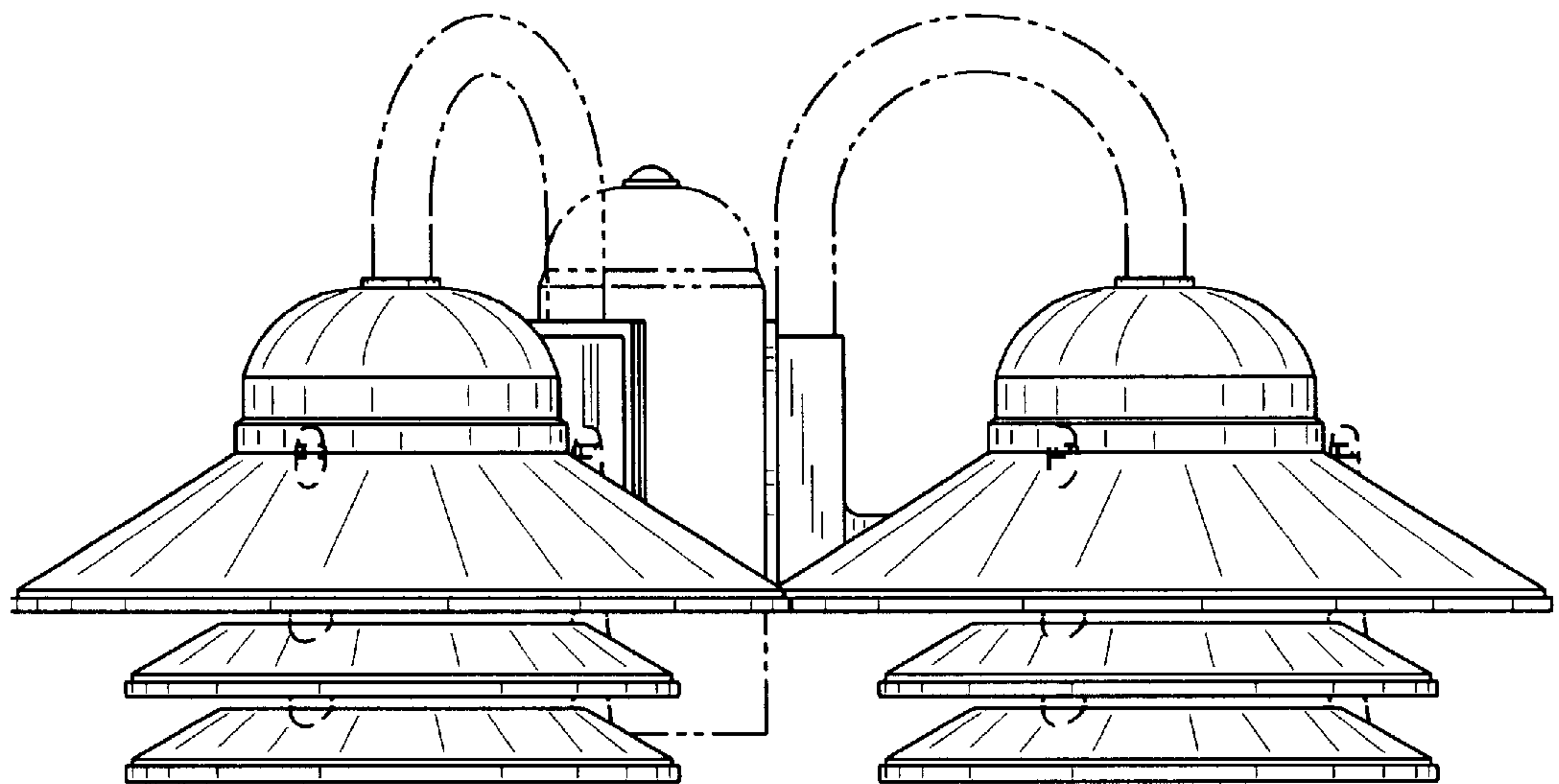


FIG. 16

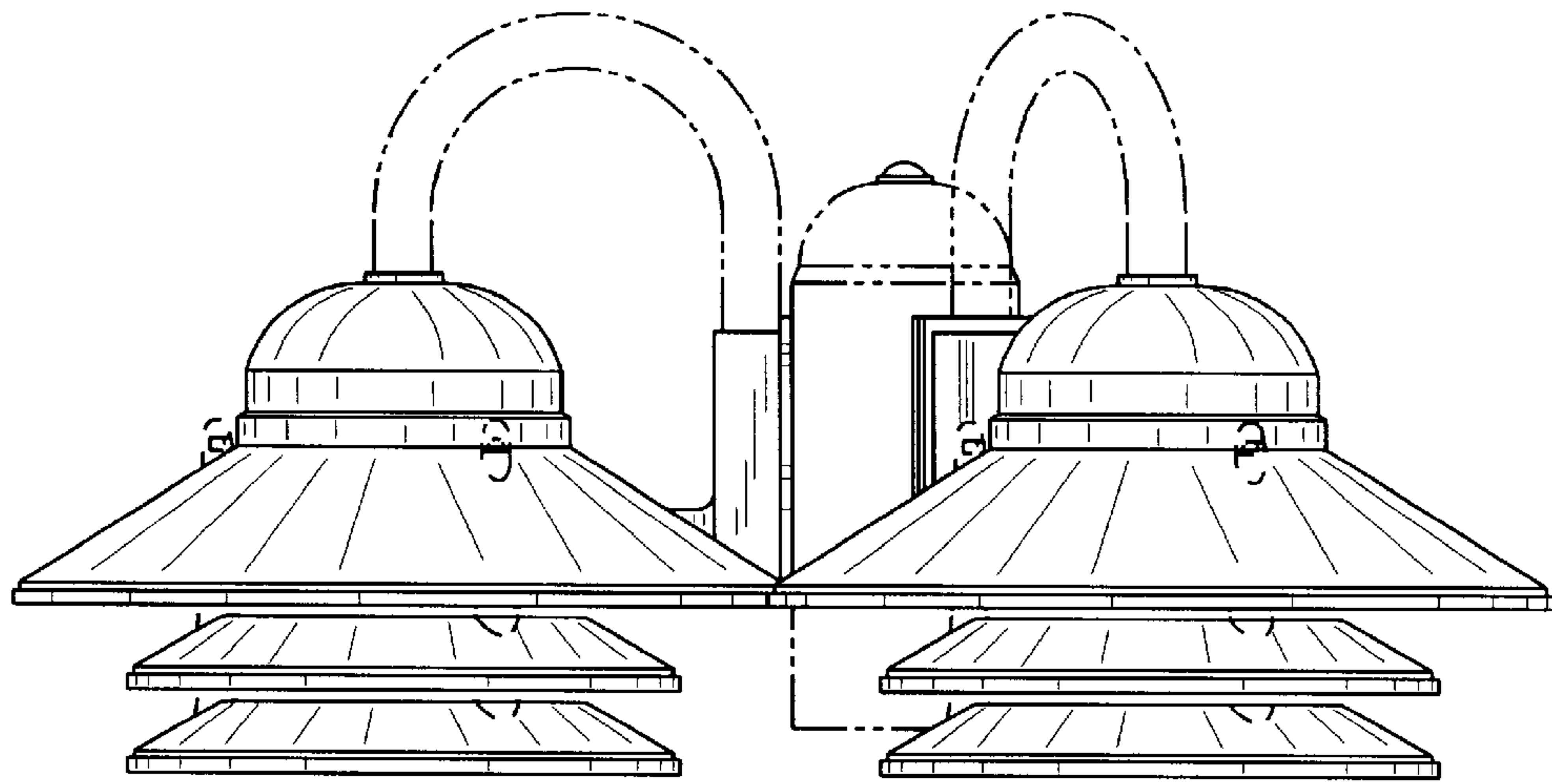


FIG. 17

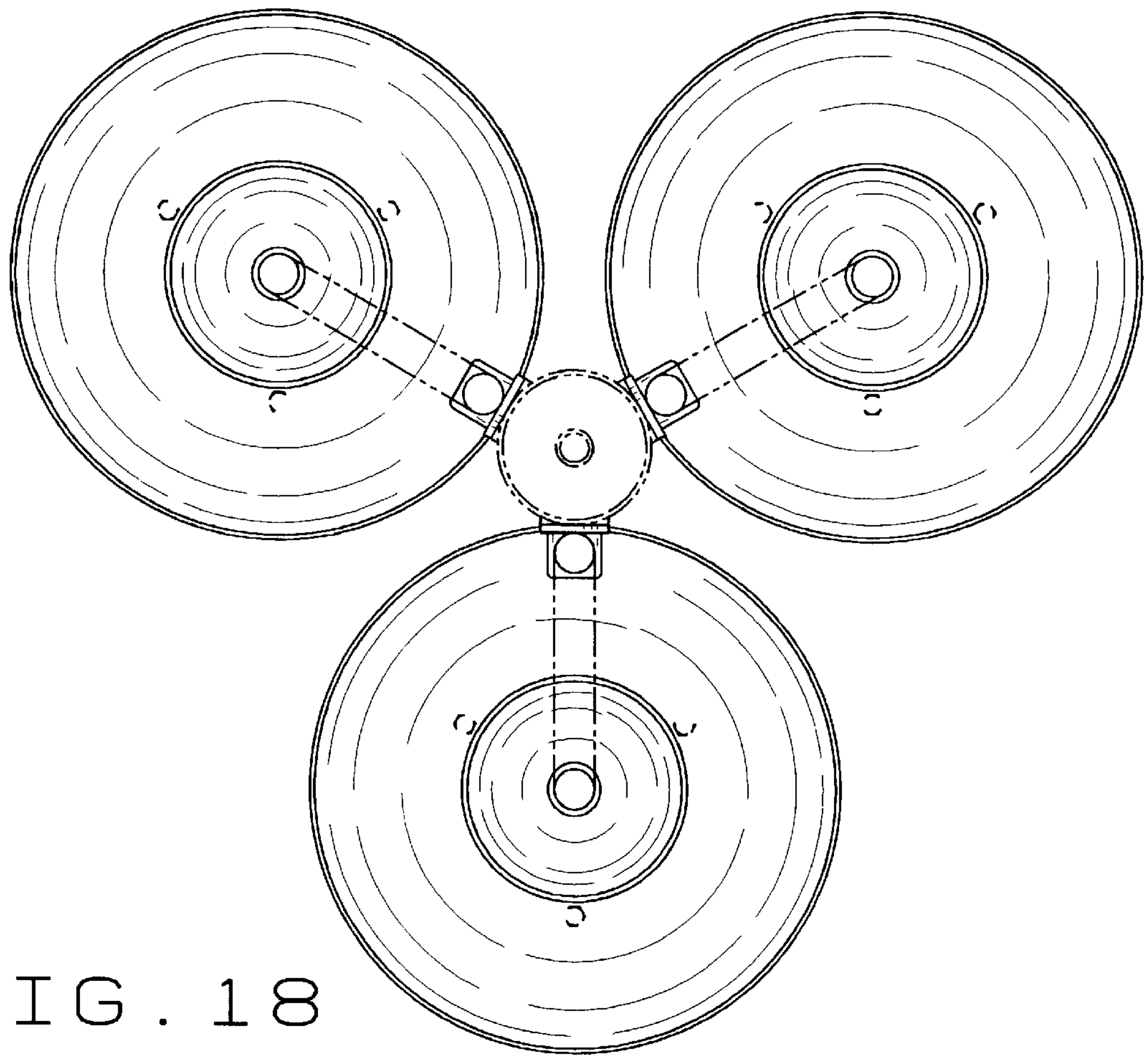


FIG. 18



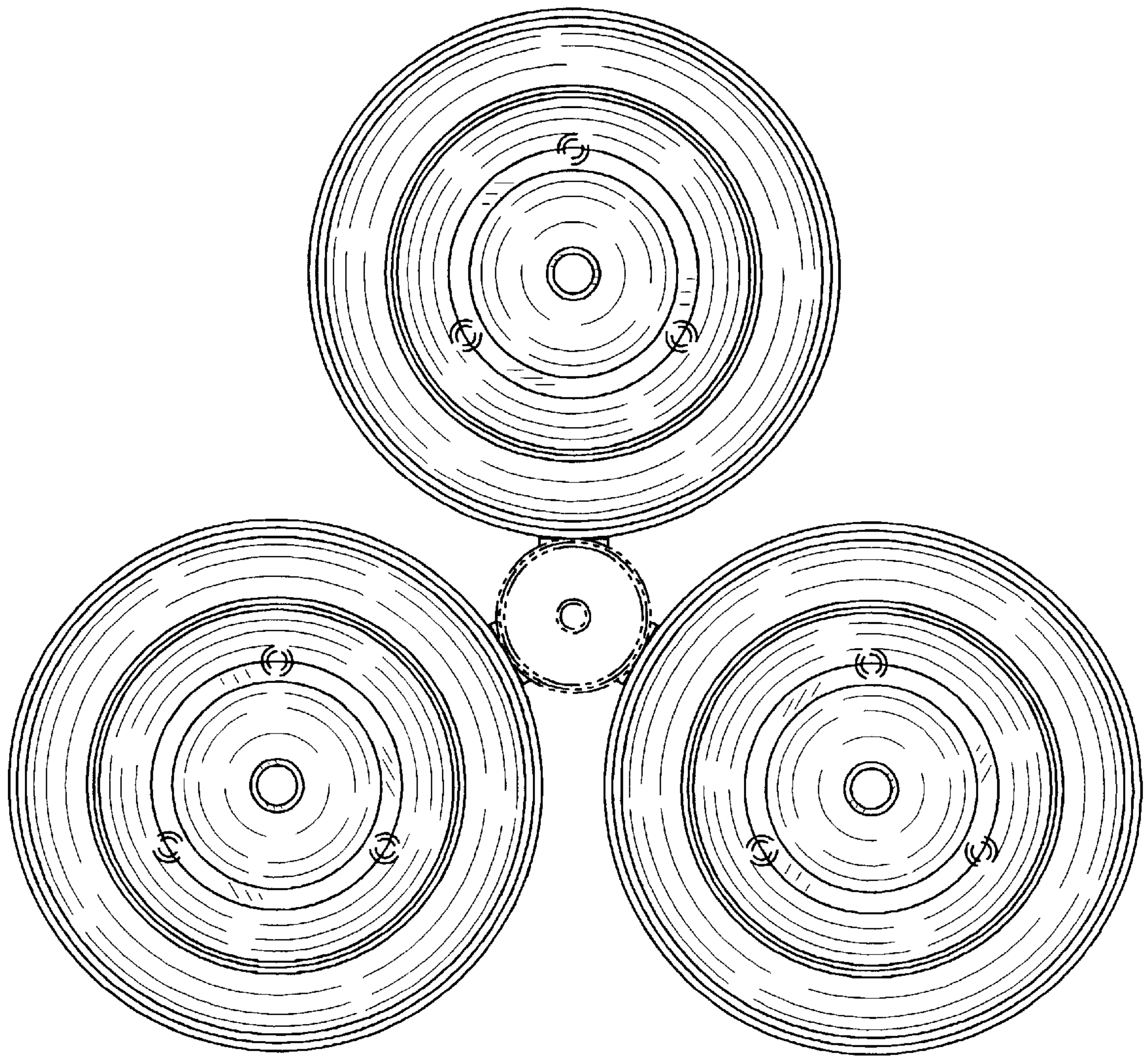


FIG. 19

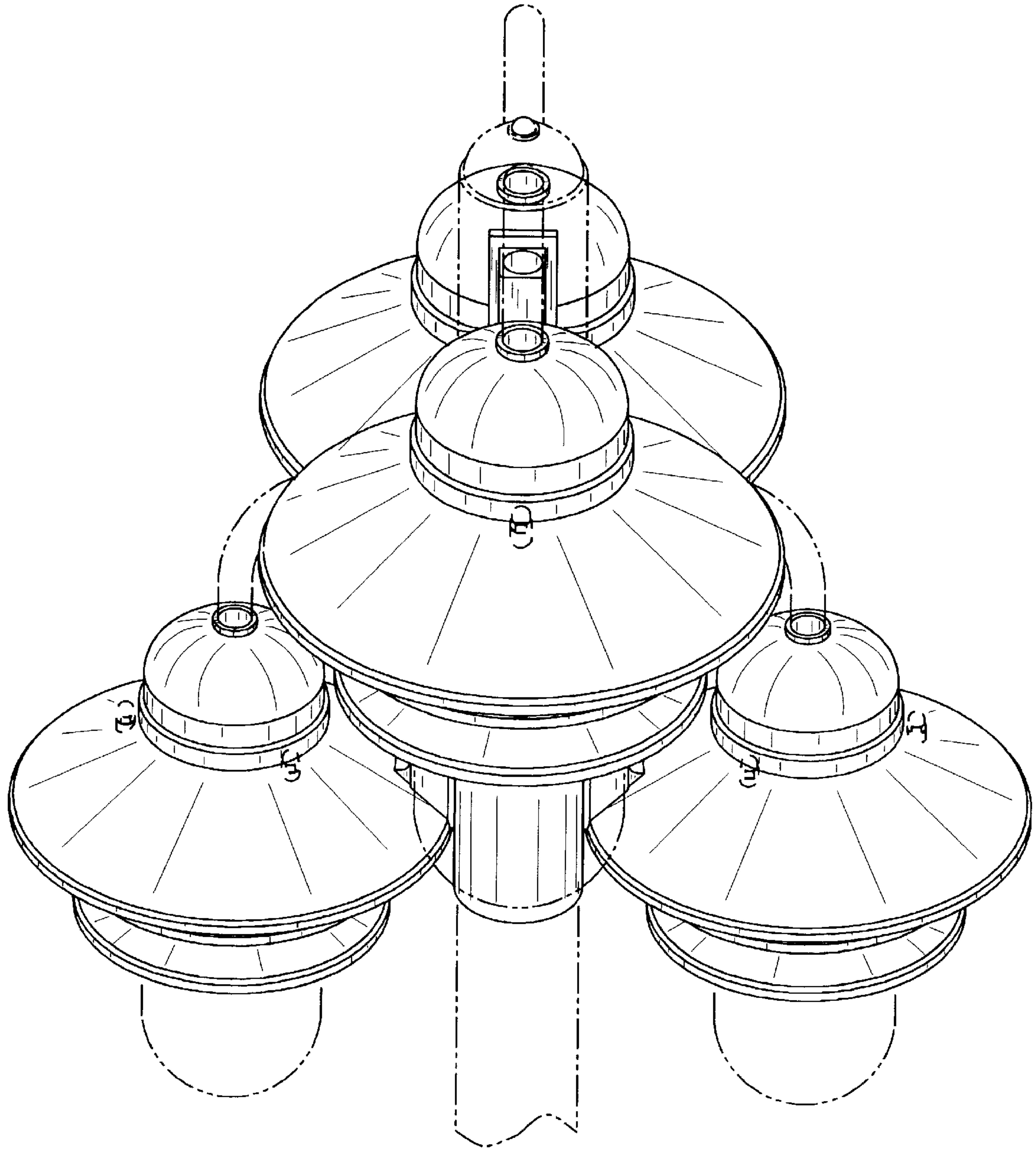


FIG. 20

FIG. 21

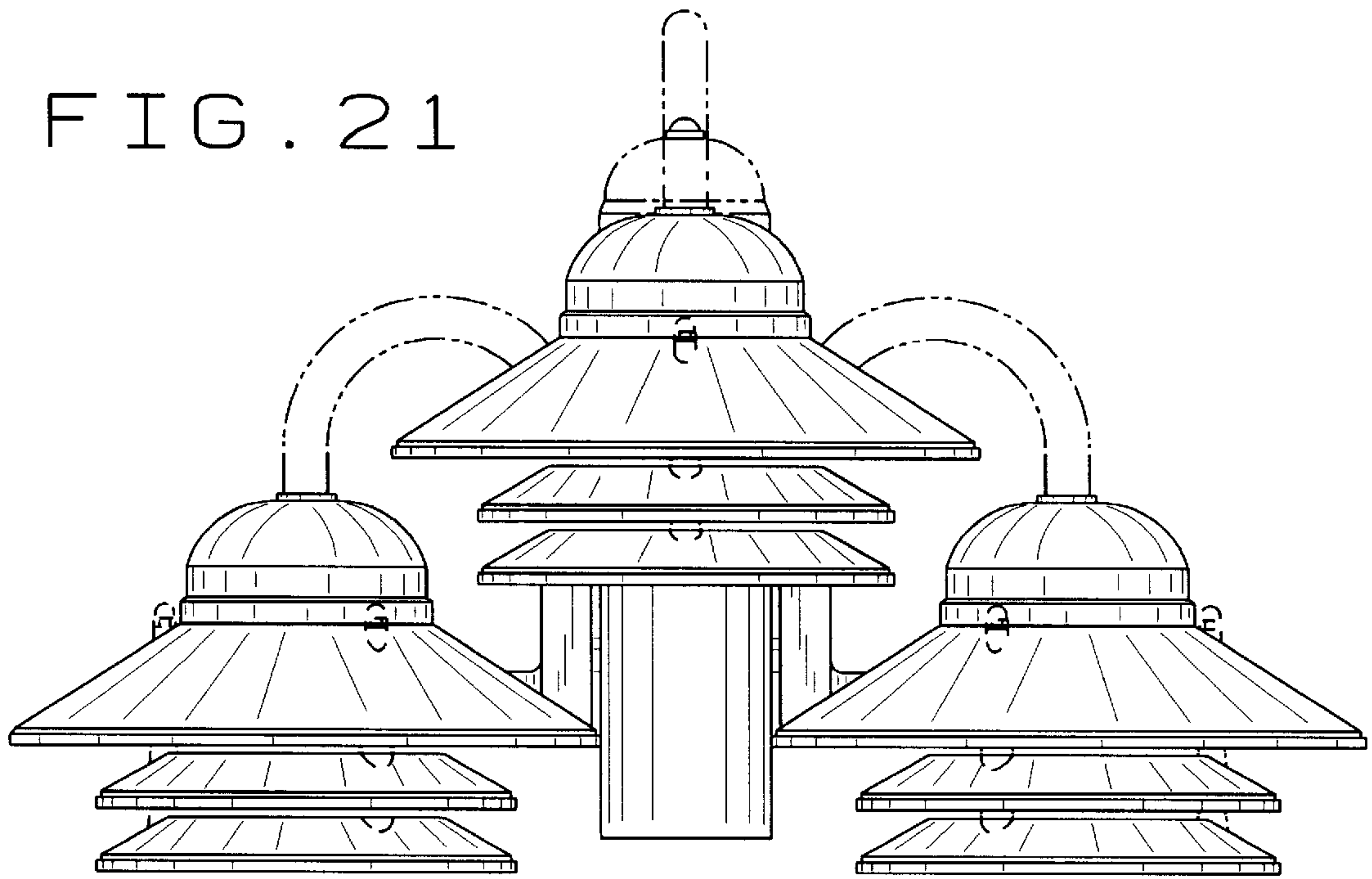
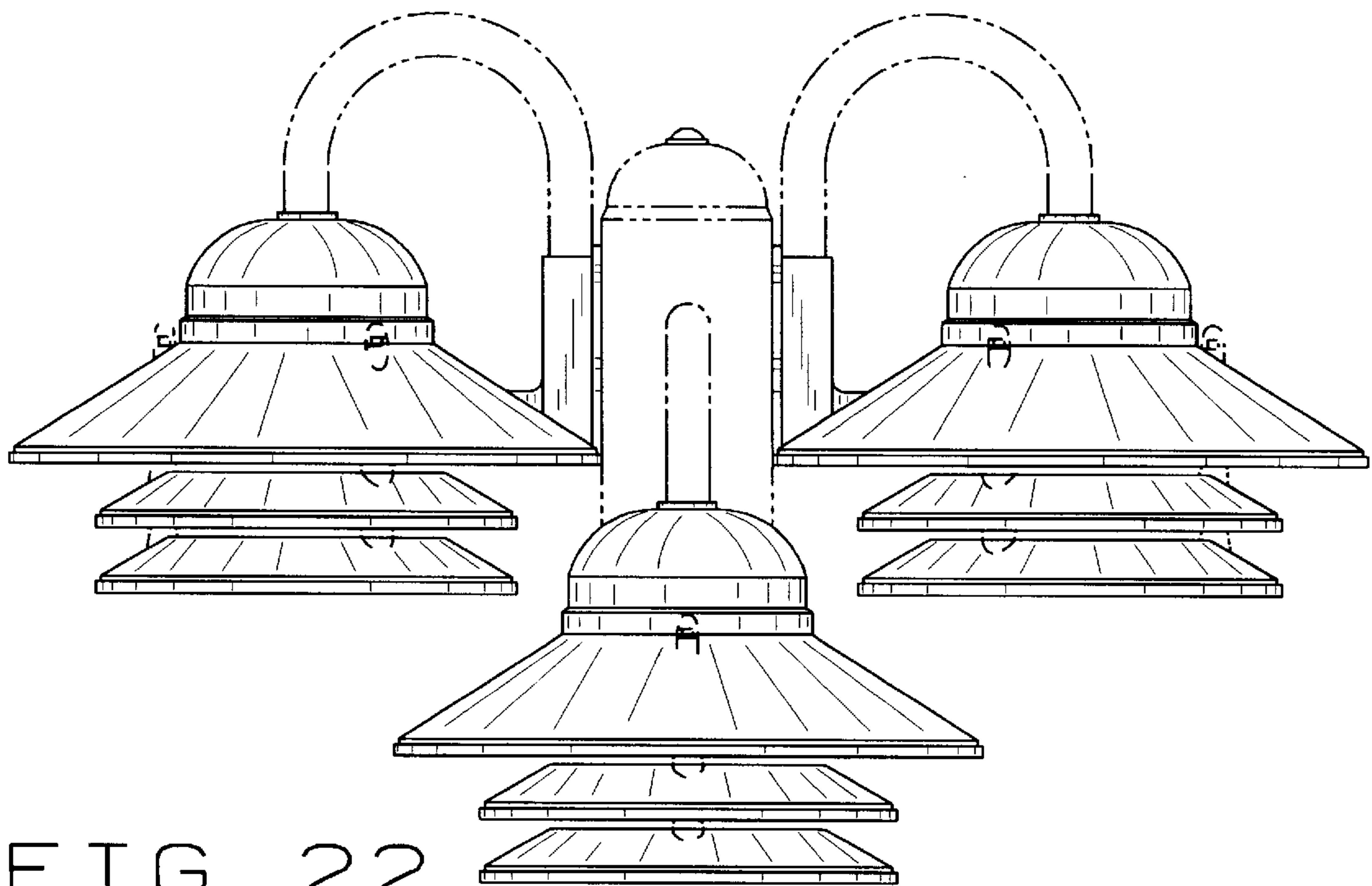


FIG. 22





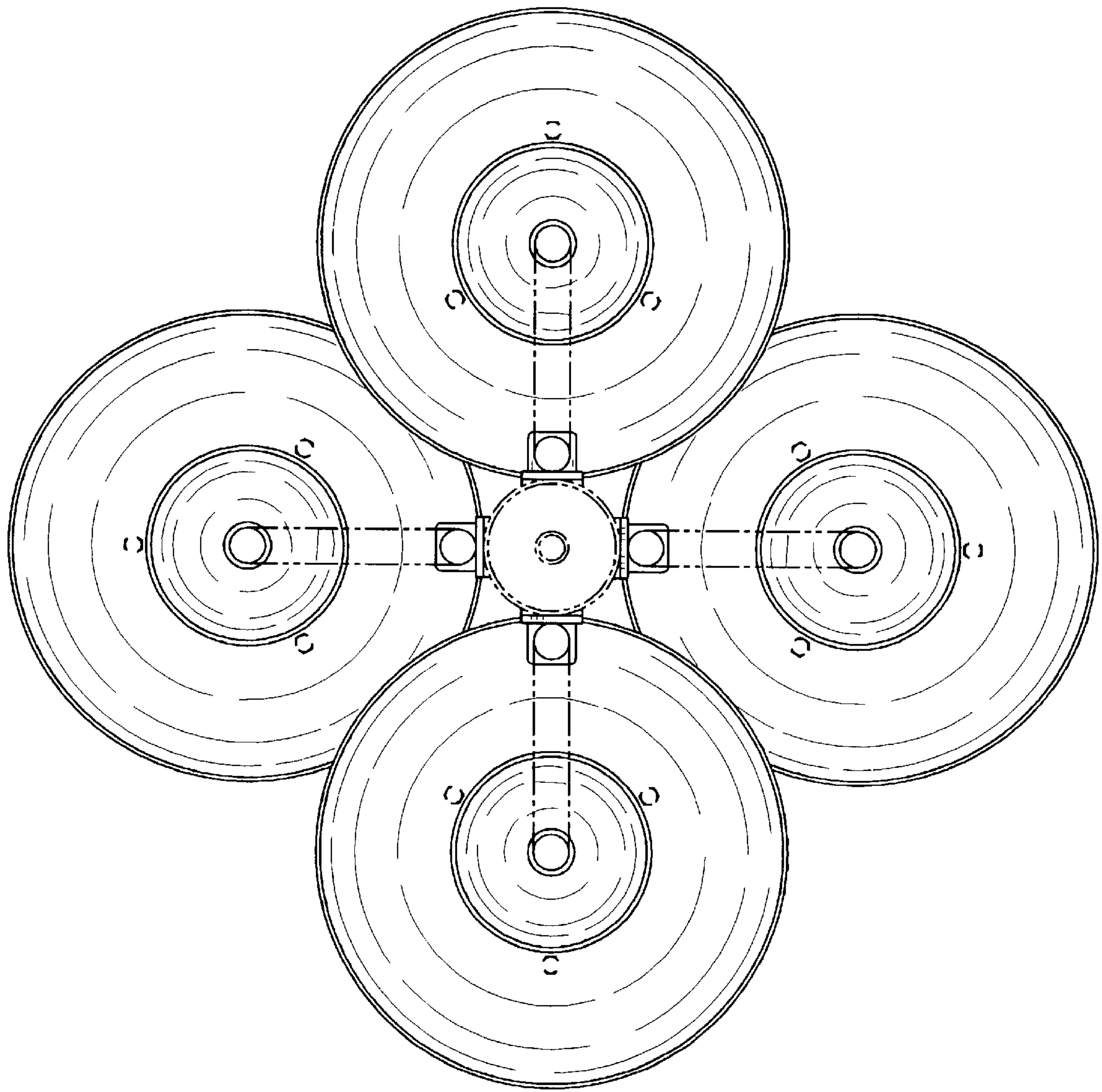


FIG. 23

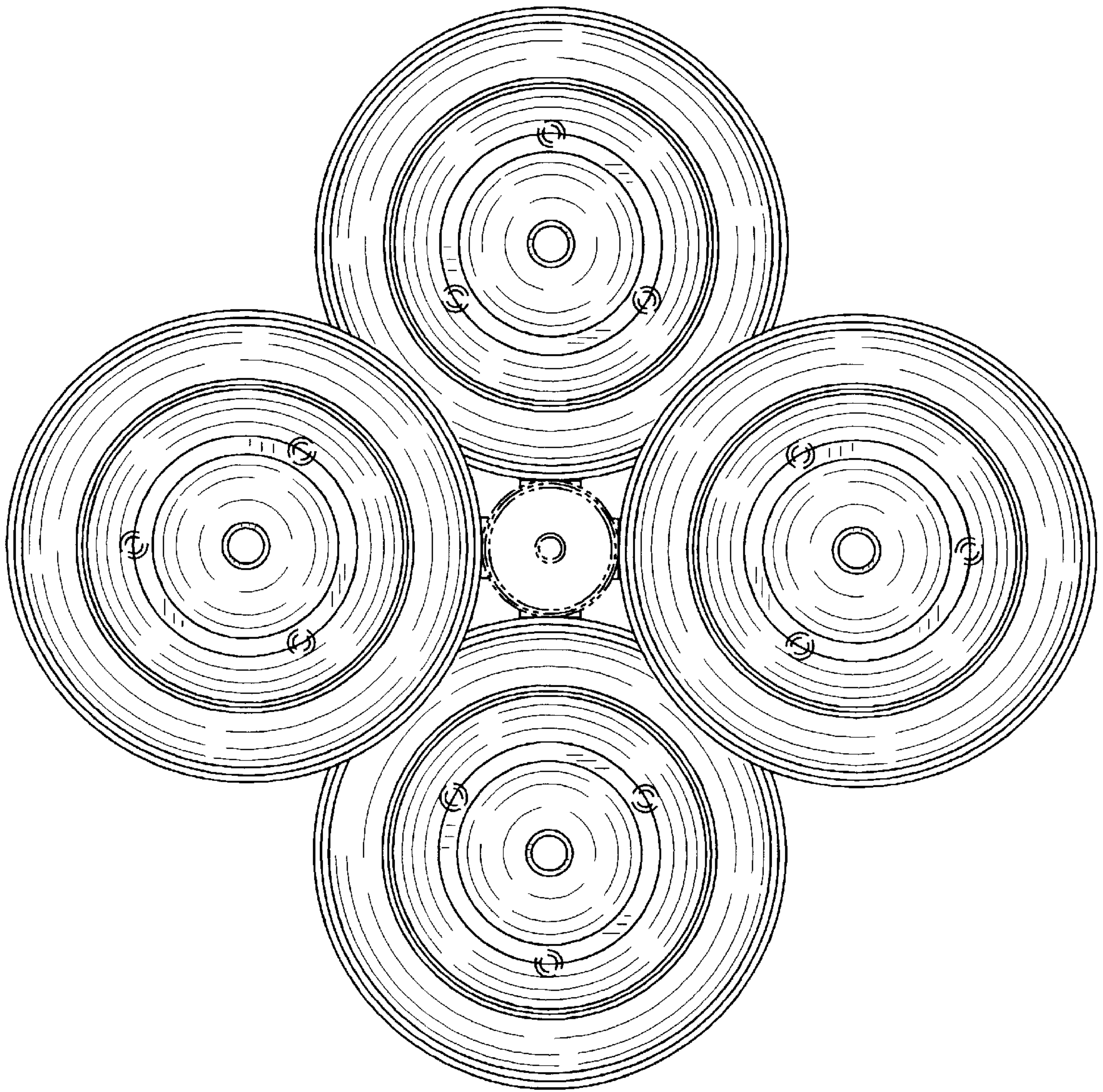


FIG. 24