



US00D417521S

**United States Patent** [19]  
**Orozco**

[11] **Patent Number: Des. 417,521**

[45] **Date of Patent: \*\* Dec. 7, 1999**

[54] **CHANDELIER**

[75] Inventor: **Sergio Orozco**, West New York, N.J.

[73] Assignee: **Quoizel, Inc.**, Goose Creek, S.C.

[\*\*] Term: **14 Years**

[21] Appl. No.: **29/081,877**

[22] Filed: **Jan. 9, 1998**

[51] **LOC (6) Cl.** ..... **26-05**

[52] **U.S. Cl.** ..... **D26/81**

[58] **Field of Search** ..... D26/72, 80-92;  
362/147, 404-408, 432

[56] **References Cited**

**U.S. PATENT DOCUMENTS**

- D. 357,995 5/1995 Dolan ..... D26/81
- D. 380,580 7/1997 Dolan ..... D26/84 X
- D. 386,281 11/1997 Hammar ..... D26/81
- D. 390,683 2/1998 Hsu ..... D26/81

*Primary Examiner*—Susan J. Lucas  
*Attorney, Agent, or Firm*—Gallagher & Kennedy

[57] **CLAIM**

An ornamental design for a chandelier, as shown and described.

**DESCRIPTION**

FIG. 1 is a front elevation view of the chandelier showing my new design.

FIG. 2 is a right side elevation view of the chandelier of FIG. 1.

FIG. 3 is a left side elevation view of the chandelier of FIG. 1.

FIG. 4 is a rear elevation view of the chandelier of FIG. 1.

FIG. 5 is a top plan view of the chandelier of FIG. 1;

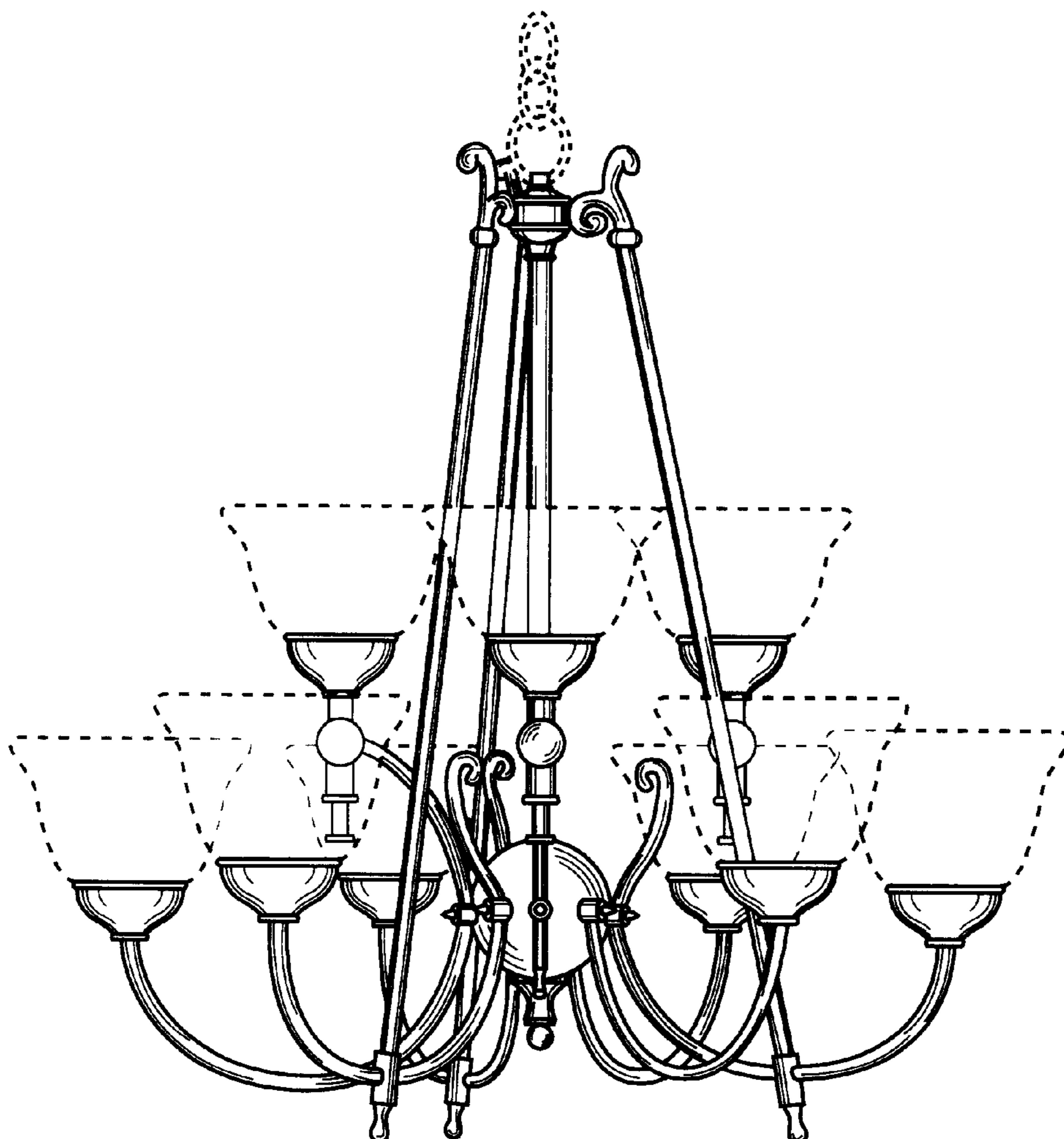
FIG. 6 is a bottom plan view of the chandelier of FIG. 1; and, FIG. 7 is a front elevation view of a second embodiment of the chandelier of FIG. 1.

Features shown in broken lines are shown for environment only and do not form a part of the design claimed.

The appearance of the design of the embodiment of FIG. 7 repeats every 120° about the vertical axis of the chandelier.

In top plan view, elements of the embodiment of FIG. 7 appear the same as like elements in the top plan view of FIG. 5.

**1 Claim, 4 Drawing Sheets**



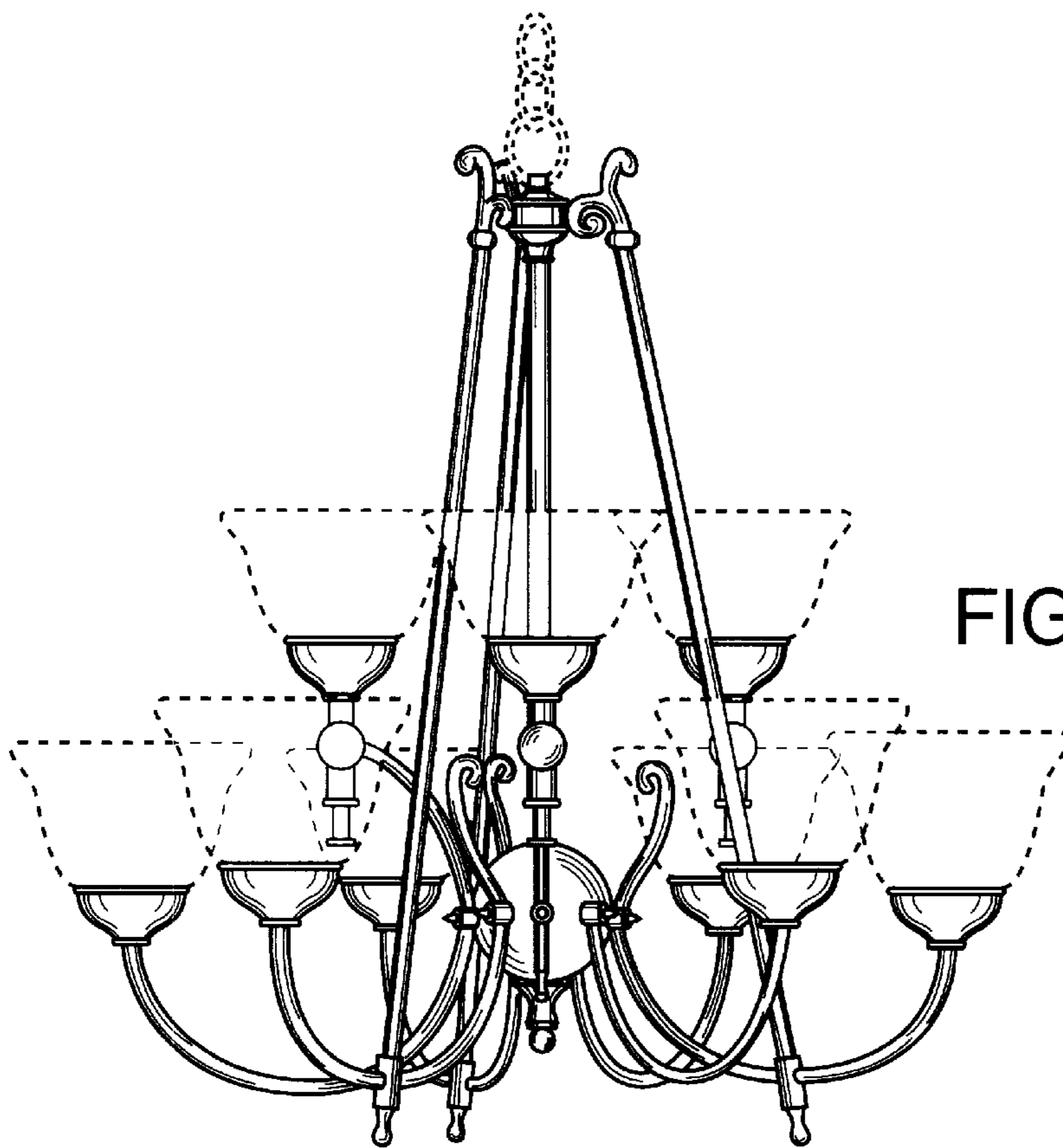


FIG. 1

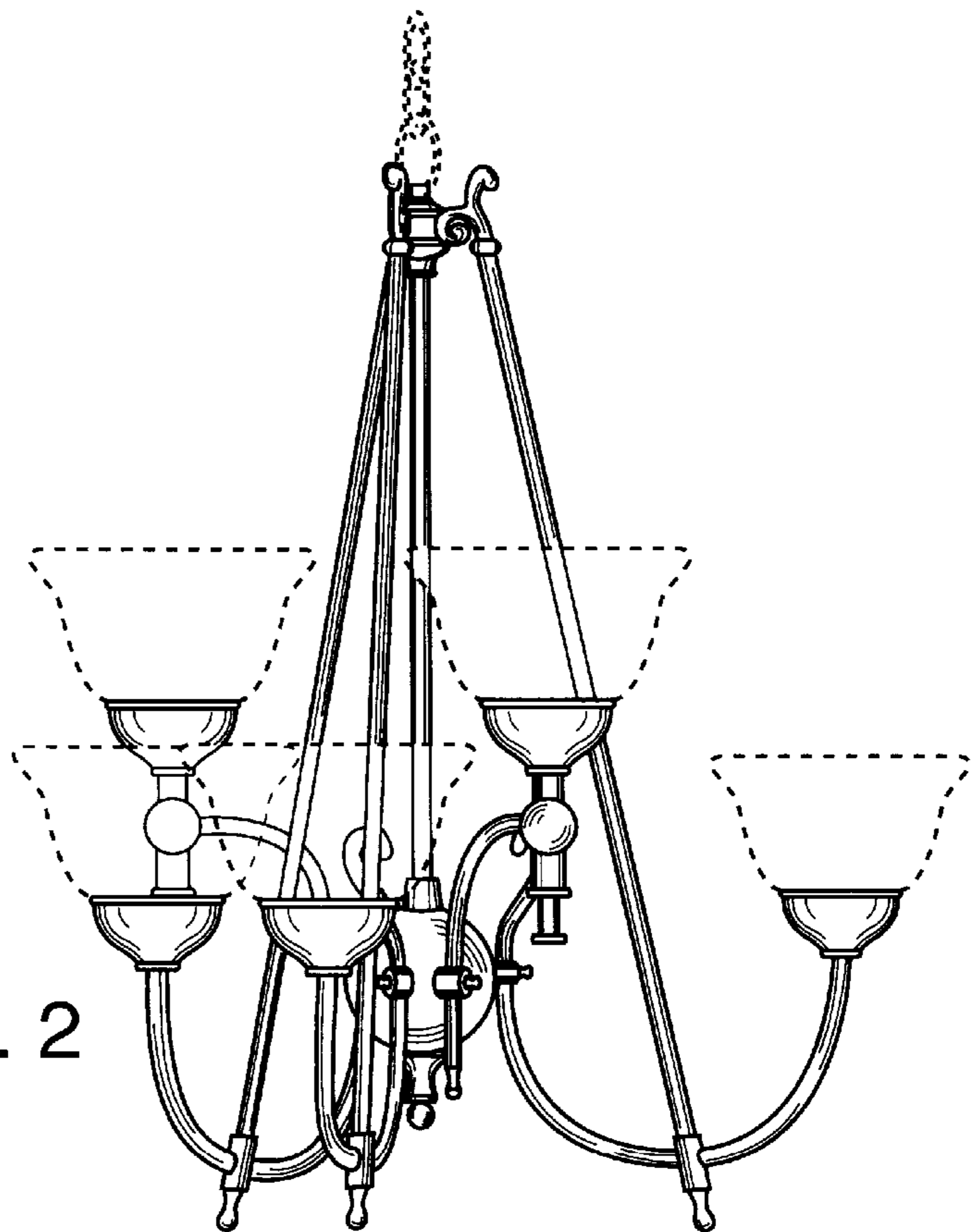


FIG. 2

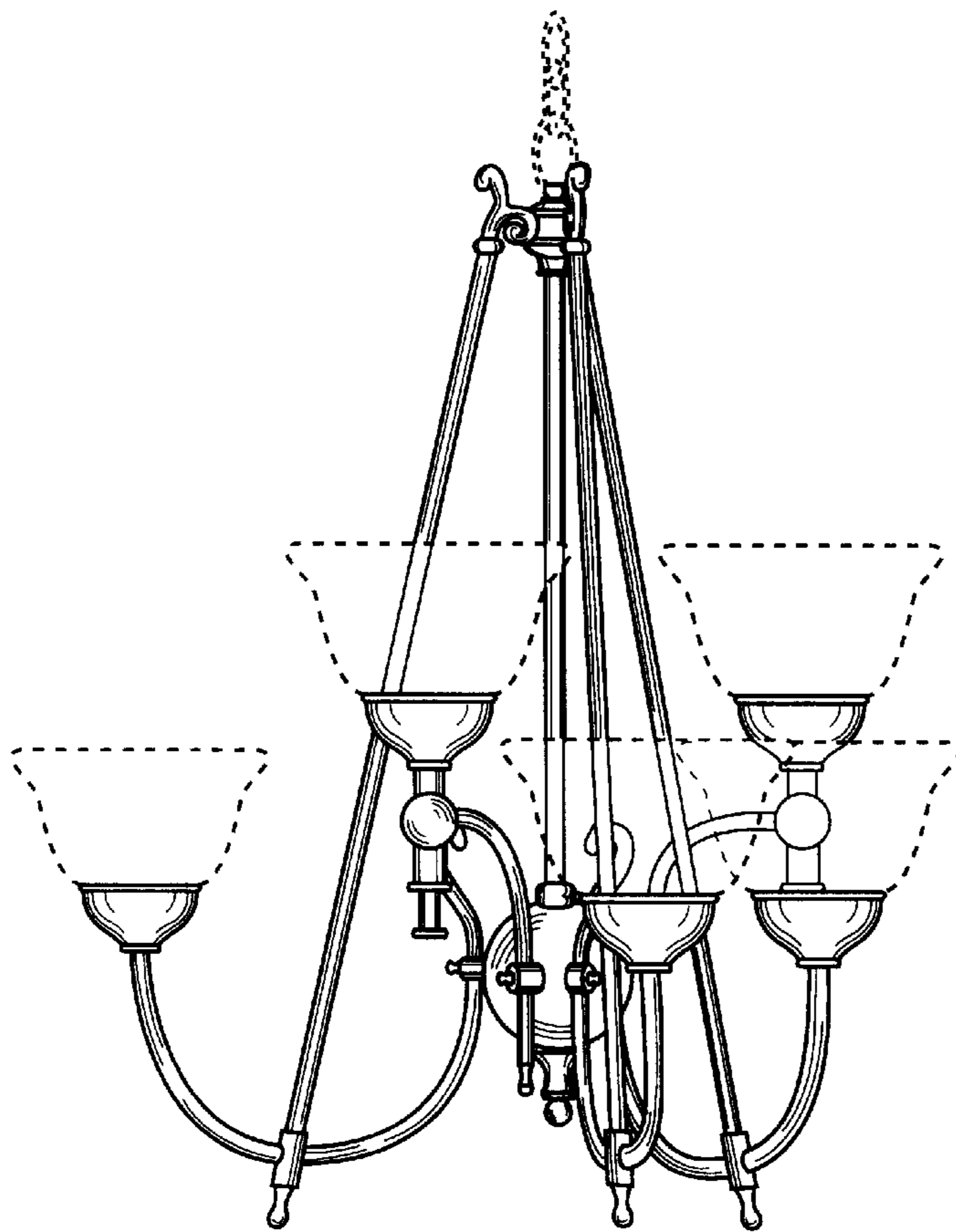


FIG. 3

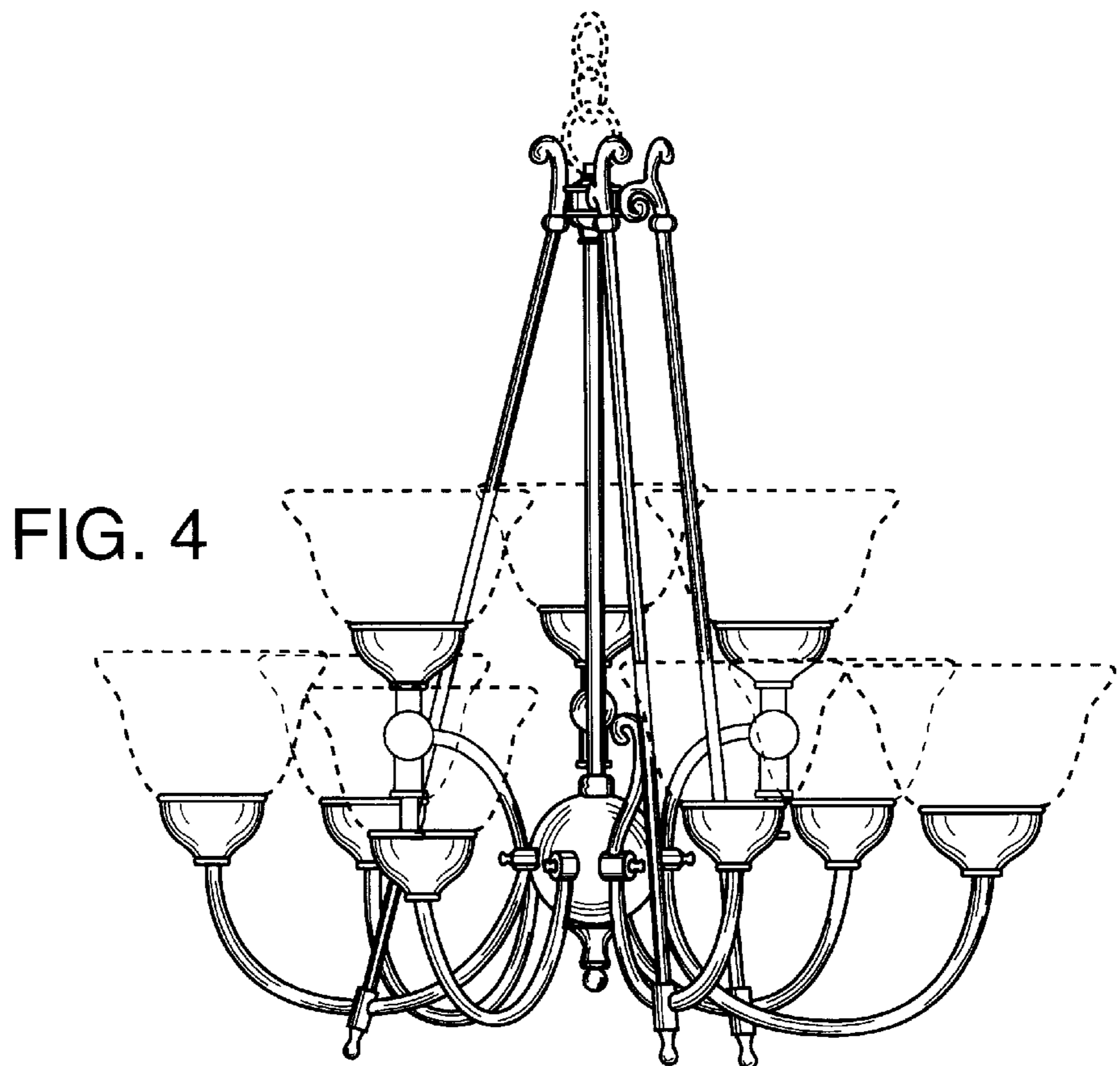


FIG. 4

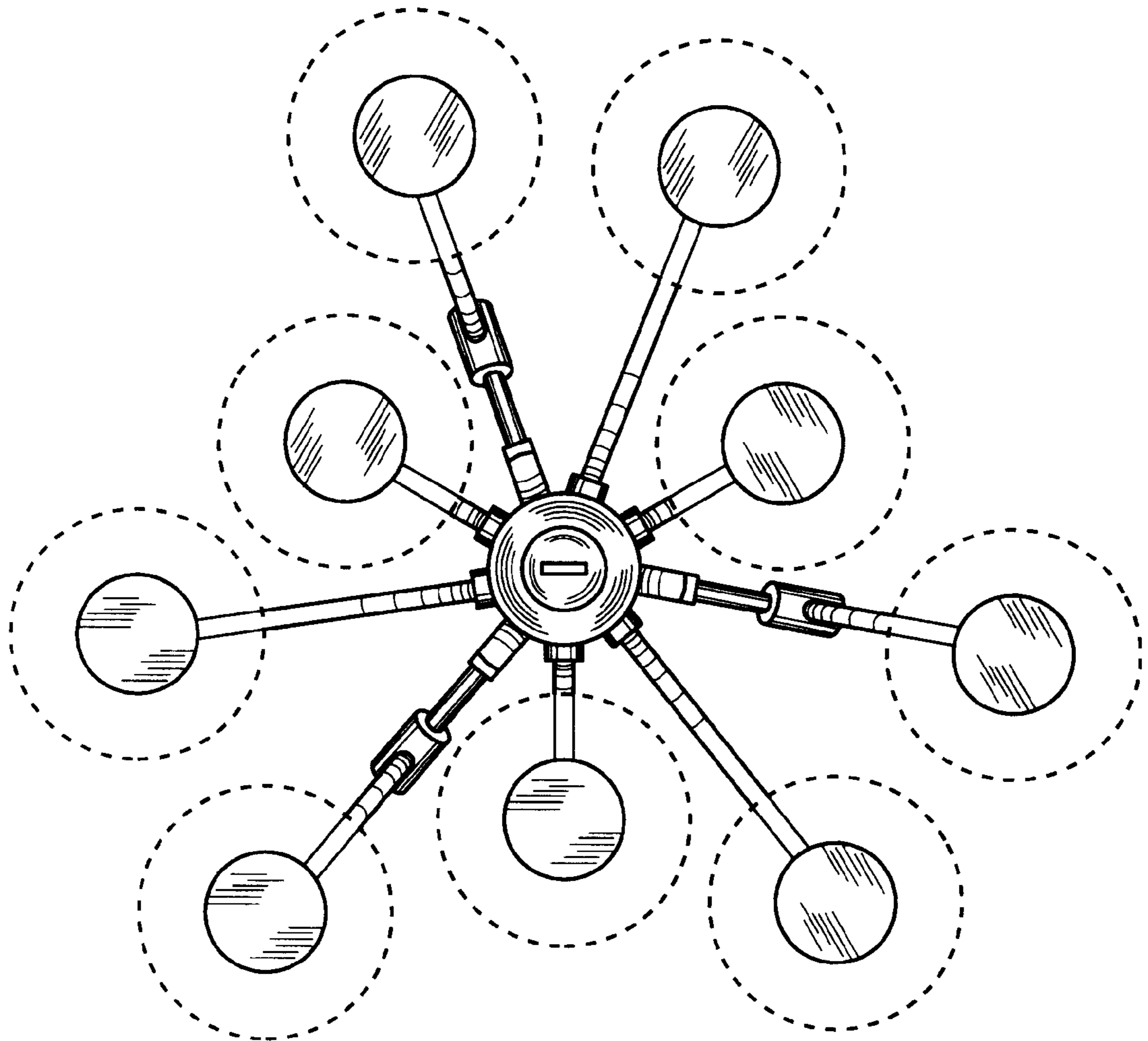


FIG. 5



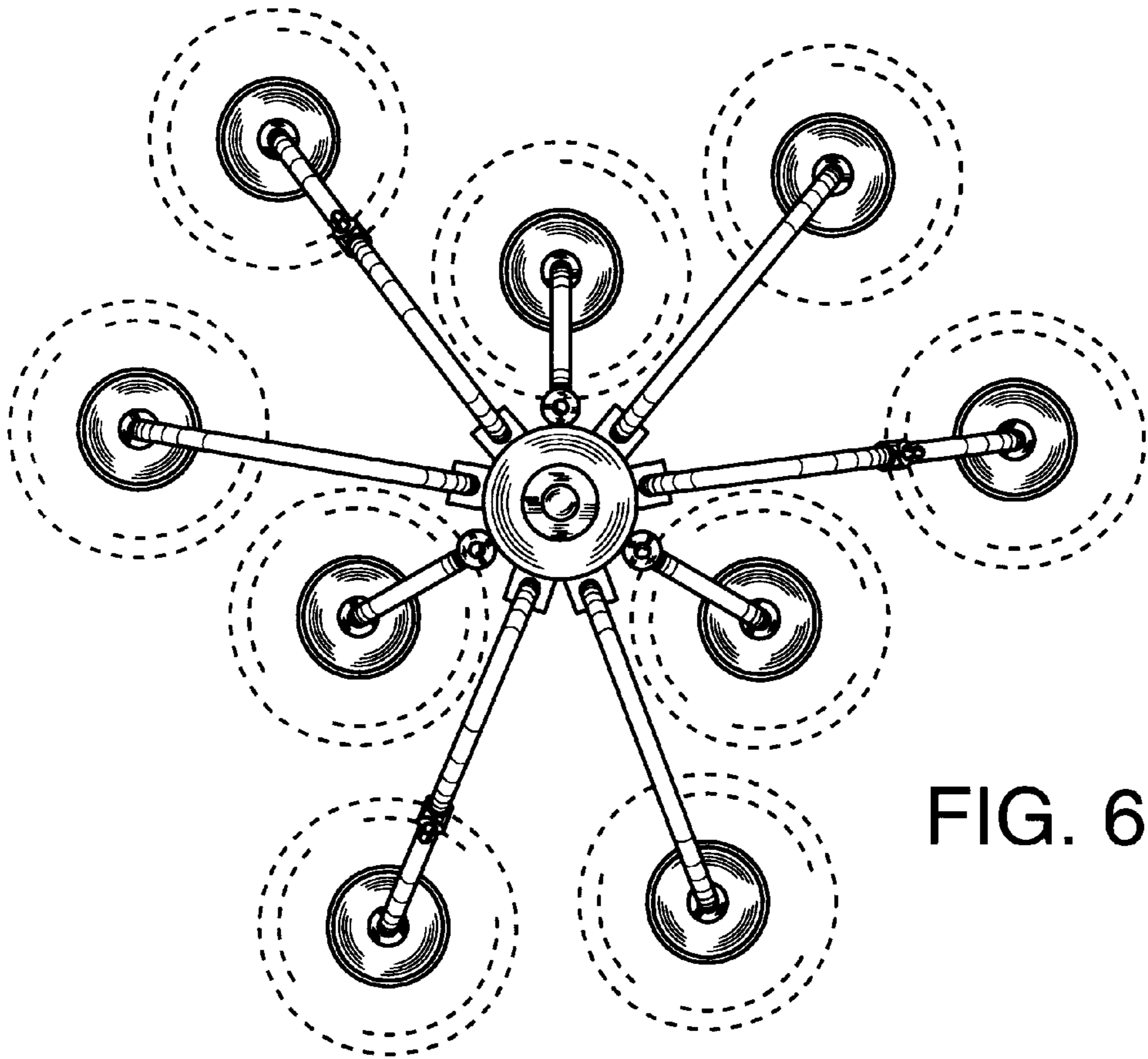


FIG. 6

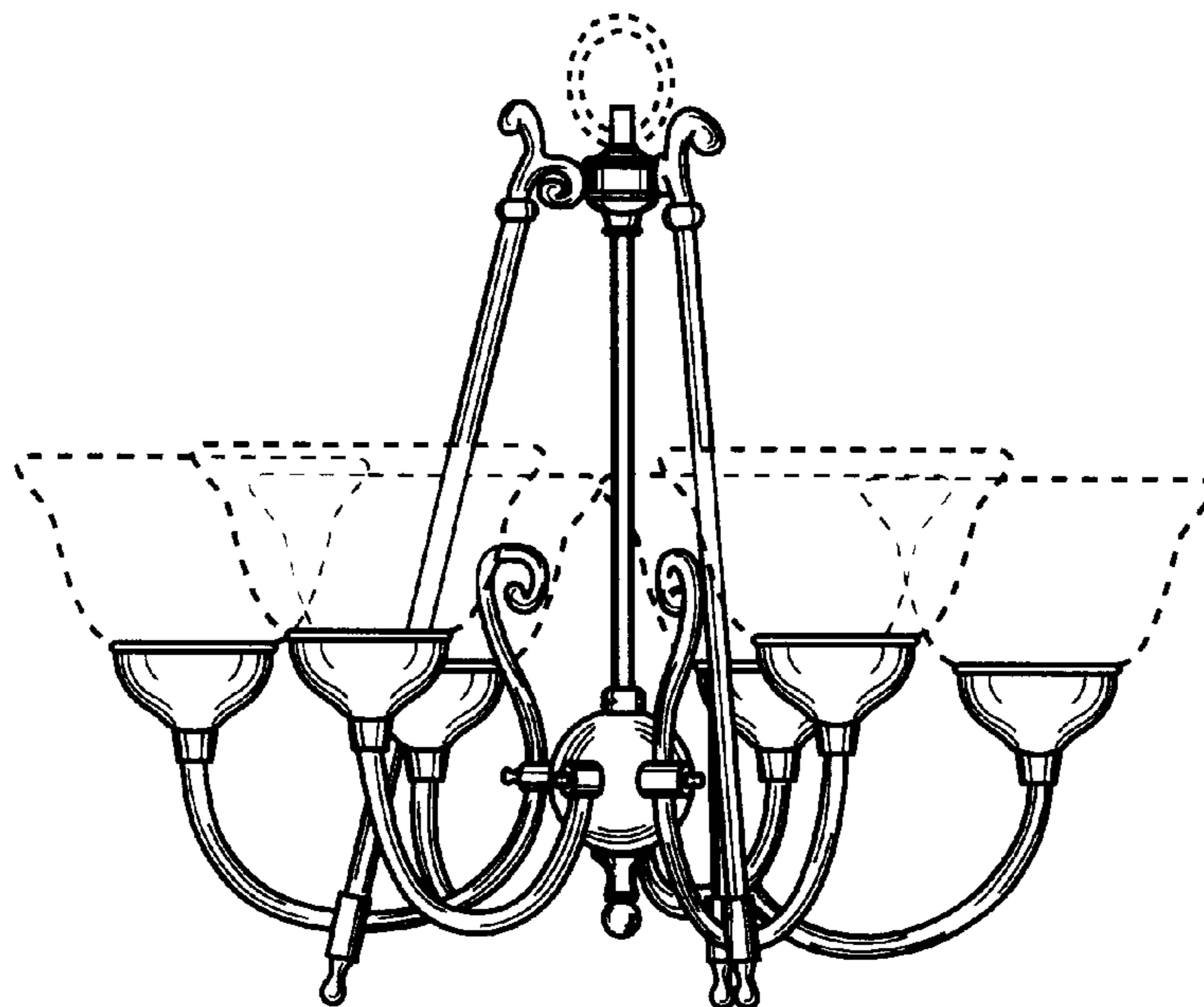


FIG. 7