



US00D417520S

United States Patent [19] Landefeld

[11] **Patent Number: Des. 417,520**

[45] **Date of Patent: ** Dec. 7, 1999**

[54] **ADJUSTABLE LANDSCAPE LUMINAIRE**

3,263,069 7/1966 Krucki et al. 362/431

[75] Inventor: **Cory W. Landefeld**, Long Beach, Calif.

[73] Assignee: **Kim Lighting, Inc.**, City of Industry, Calif.

Primary Examiner—Susan J. Lucas
Attorney, Agent, or Firm—Lyon & Lyon LLP

[**] Term: **14 Years**

[57] CLAIM

[21] Appl. No.: **29/098,472**

The ornamental design for an adjustable landscape luminaire, as shown and described.

[22] Filed: **Dec. 29, 1998**

DESCRIPTION

Related U.S. Application Data

[62] Division of application No. 29/086,569, Apr. 15, 1998, Pat. No. Des. 407,842.

FIG. 1 is a top view of the adjustable landscape luminaire of the present design;

[51] **LOC (6) Cl.** **26-05**

[52] **U.S. Cl.** **D26/68; D6/63**

FIG. 2 is a front view thereof, the rear view being a mirror image;

[58] **Field of Search** D26/67-71, 63; 362/147, 428, 152, 153, 153.1, 431

FIG. 3 is a bottom view of the design; and,

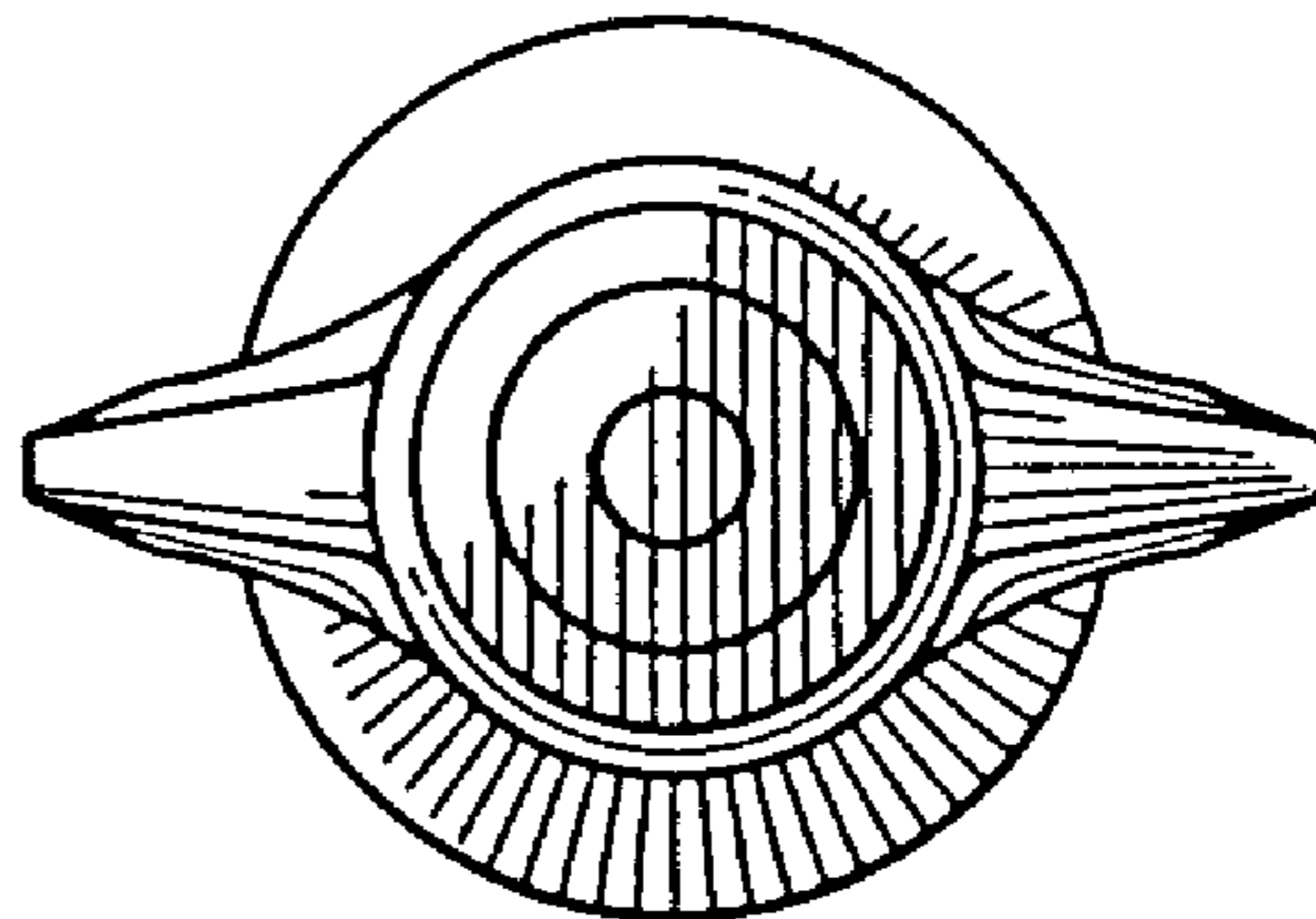
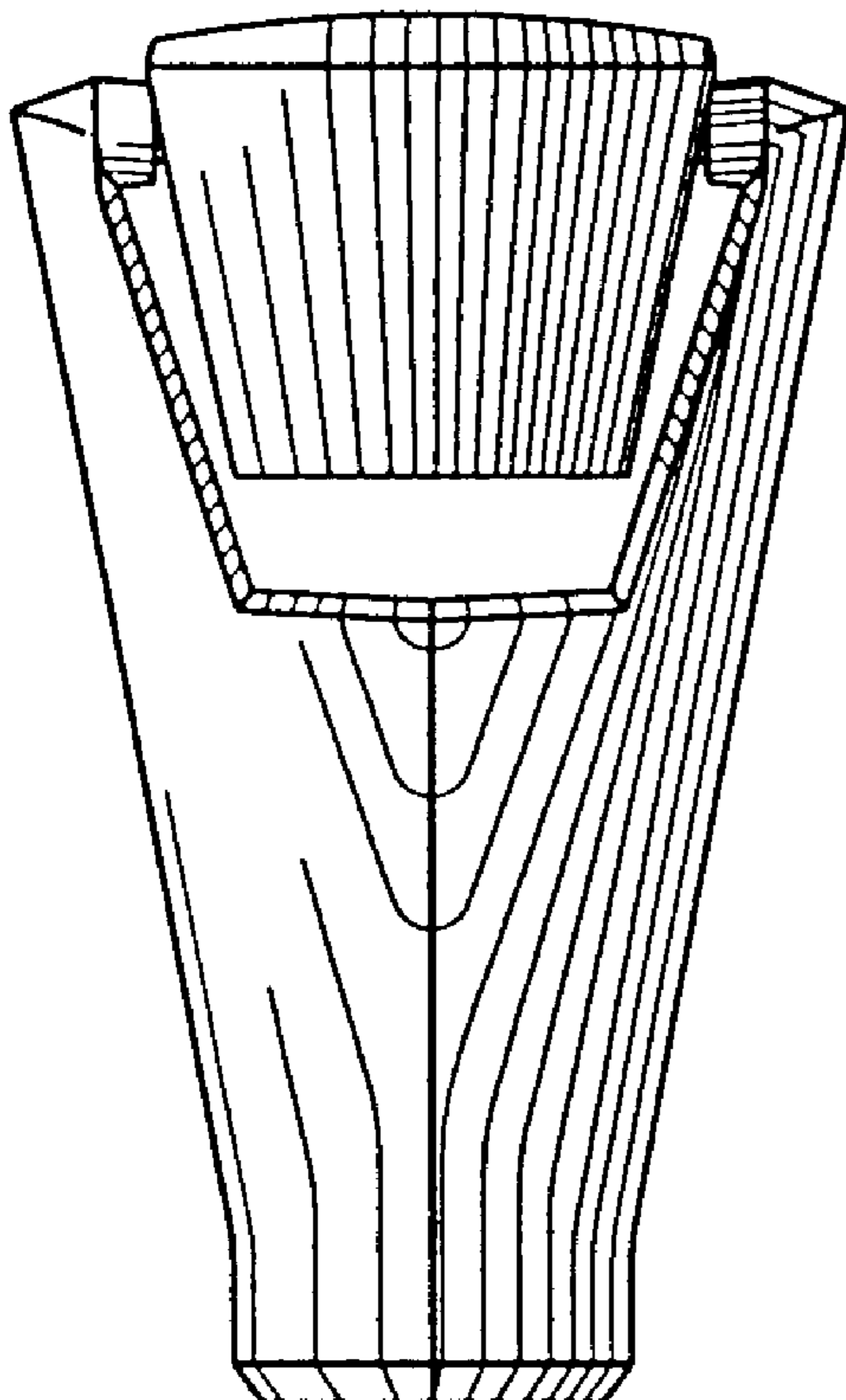
FIG. 4 is a first side view of the design, the opposite side being a mirror image.

[56] References Cited

U.S. PATENT DOCUMENTS

D. 409,842 4/1999 Landefeld D26/68

1 Claim, 1 Drawing Sheet



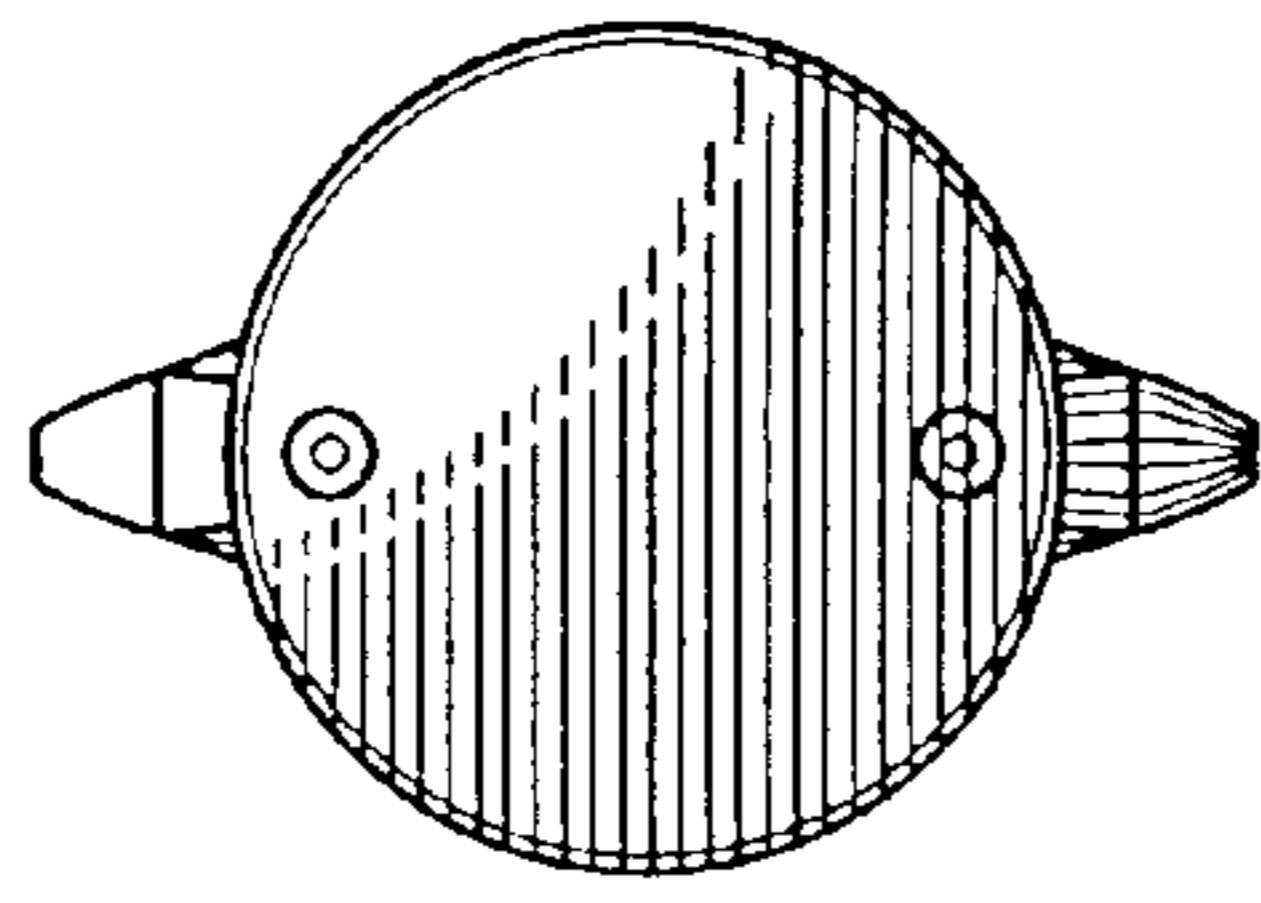


FIG. 1

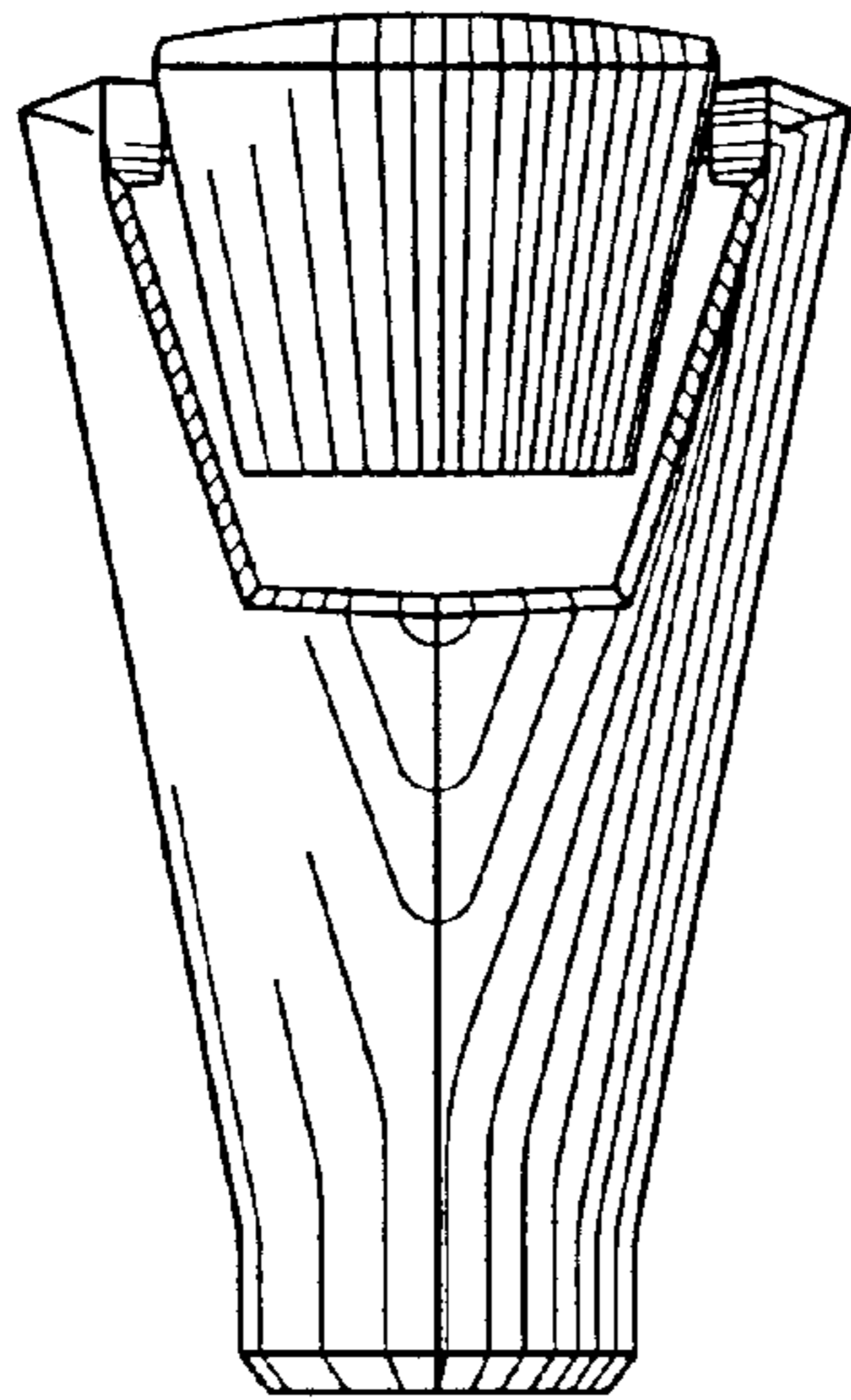


FIG. 2

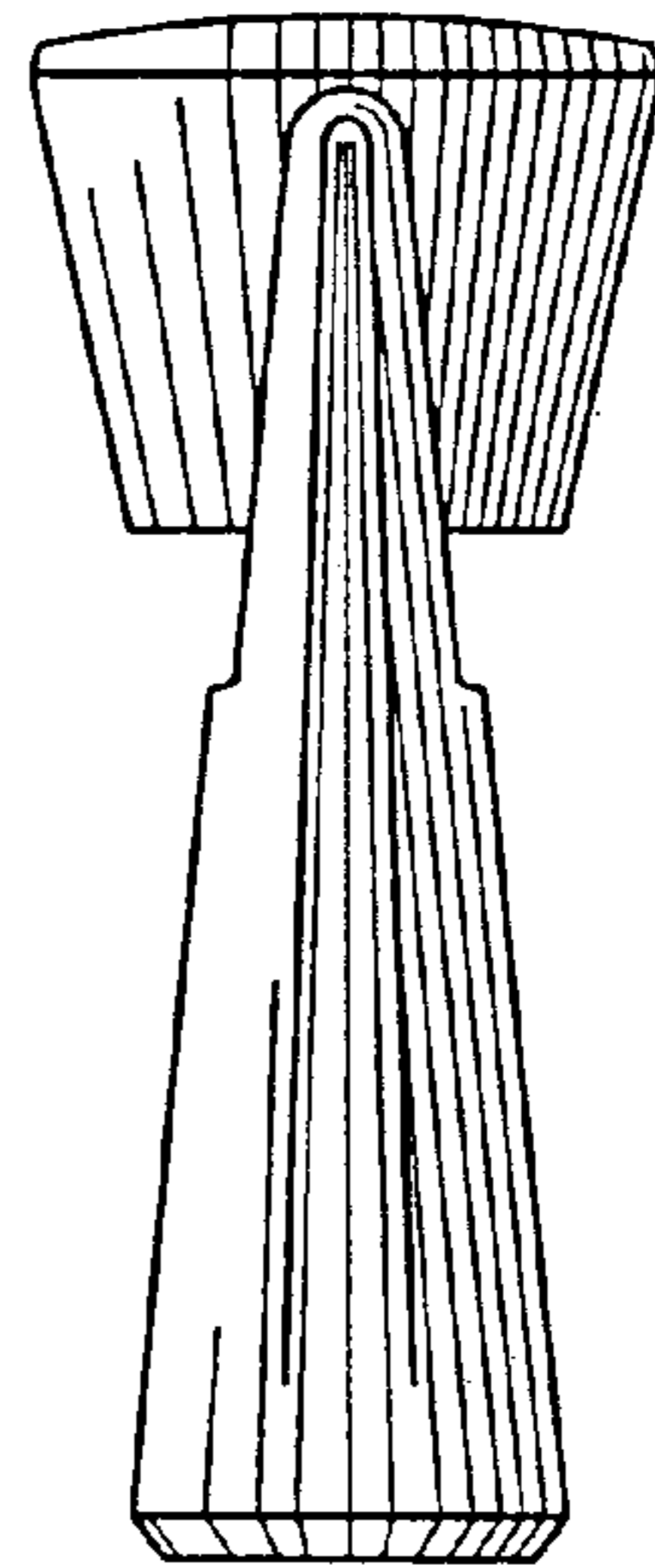


FIG. 4

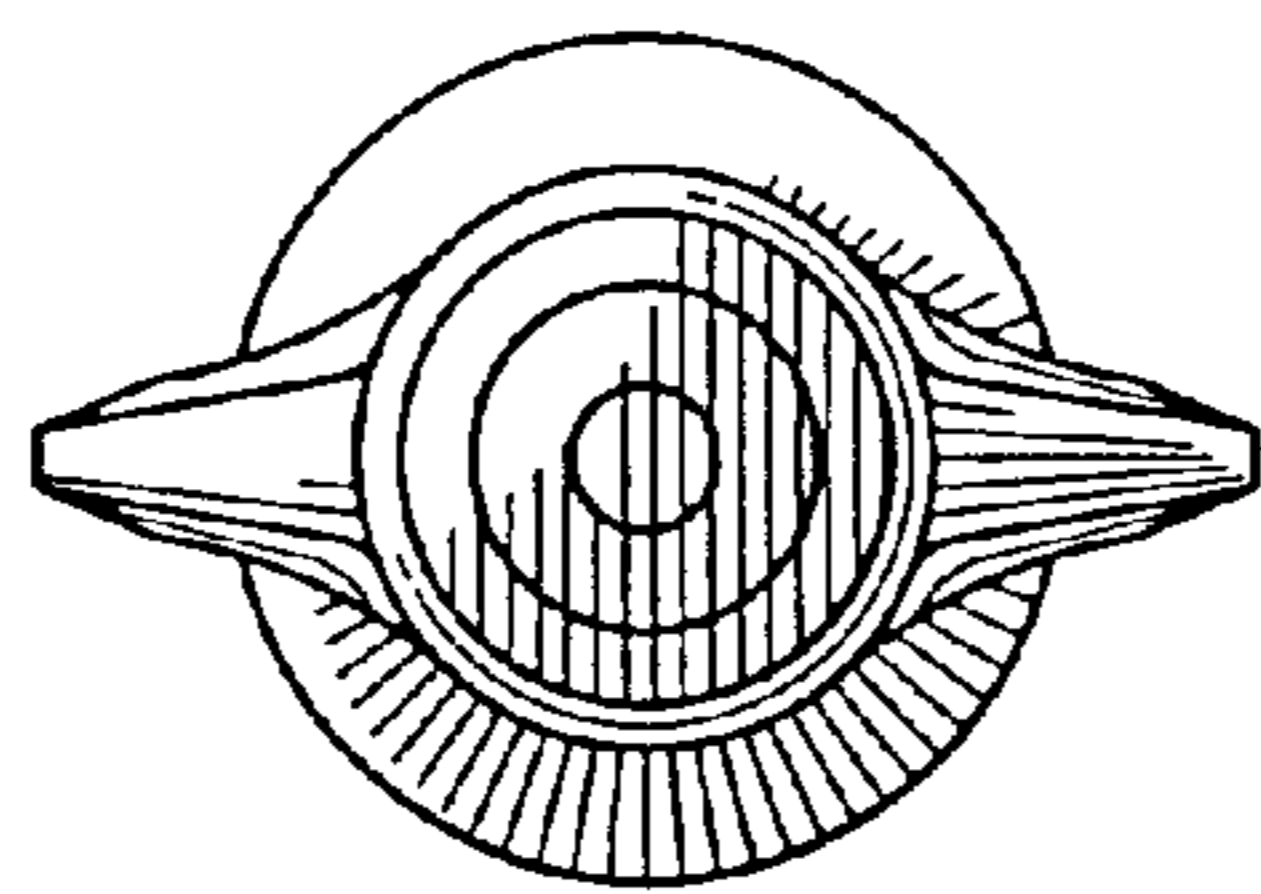


FIG. 3