



US00D417518S

United States Patent [19]

[11] Patent Number: Des. 417,518

Hussaini et al.

[45] Date of Patent: ** Dec. 7, 1999

[54] AUXILIARY VEHICLE LIGHT

Attorney, Agent, or Firm—Liniak, Berenato, Longacre & White

[75] Inventors: Saied Hussaini; Marc Iacovelli, both of Miami, Fla.

[57] CLAIM

[73] Assignee: Rally Manufacturing, Inc., Miami, Fla.

The ornamental design for a auxiliary vehicle light, as shown and described.

[**] Term: 14 Years

DESCRIPTION

[21] Appl. No.: 29/095,792

FIG. 1 is a front view of the auxiliary vehicle light according to the present invention.

[22] Filed: Oct. 30, 1998

FIG. 2 is a rear view of the auxiliary vehicle light of FIG. 1 according to the present invention.

[51] LOC (6) Cl. 26-06

FIG. 3 is a right side view of the auxiliary vehicle light of FIG. 1 according to the present invention.

[52] U.S. Cl. D26/29

FIG. 4 is a left side view of the auxiliary vehicle light of FIG. 1 according to the present invention.

[58] Field of Search D26/28, 29, 36; 362/460, 464, 465-467, 493, 499, 507, 512, 518, 523, 529, 530, 538, 262, 275, 285, 287, 418, 419, 427, 227

FIG. 5 is a top view of the auxiliary vehicle light of FIG. 1 according to the present invention.

[56] References Cited

FIG. 6 is a bottom view of the auxiliary vehicle light of FIG. 1 according to the present invention.

U.S. PATENT DOCUMENTS

FIG. 7 is a perspective view of the auxiliary vehicle light of FIG. 1 according to the present invention.

D. 229,774	1/1974	Cibie	D26/29
D. 346,233	4/1994	Tsai	D26/29
5,788,363	8/1998	Kamaya et al.	362/285

The broken lines are shown for illustrative purposes only and form no part of the claimed design.

Primary Examiner—Susan J. Lucas

1 Claim, 4 Drawing Sheets

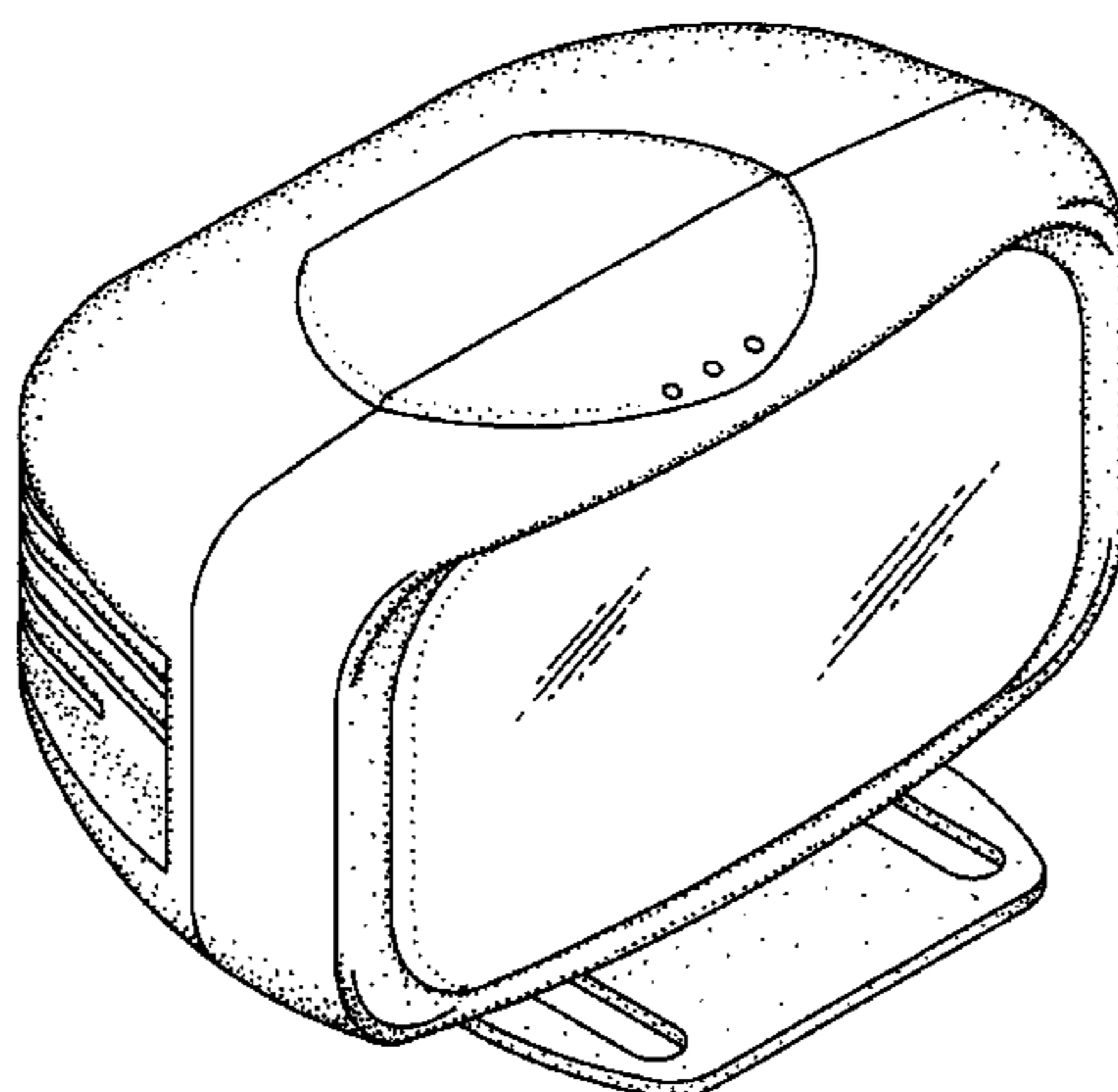
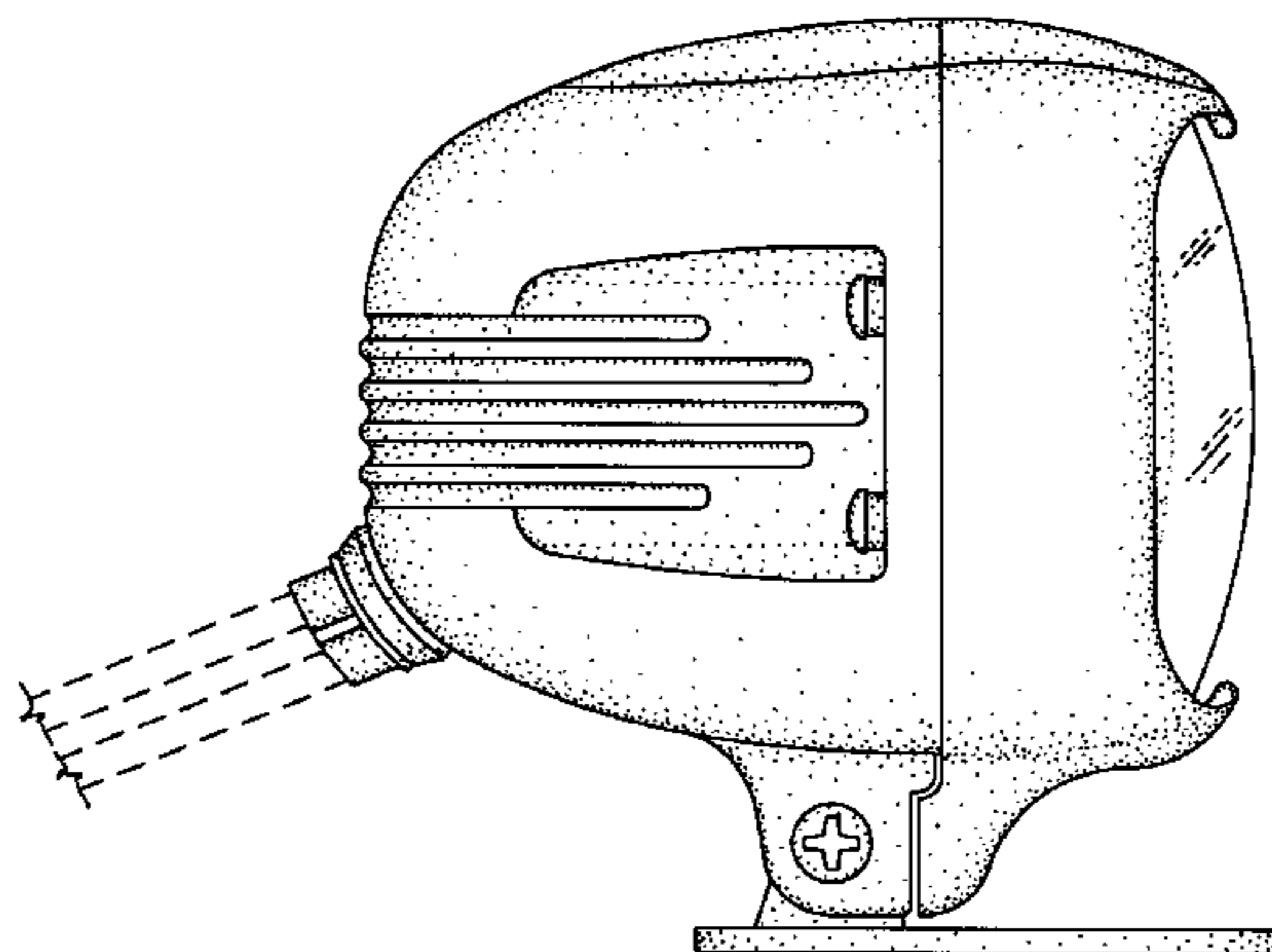


Fig. 1

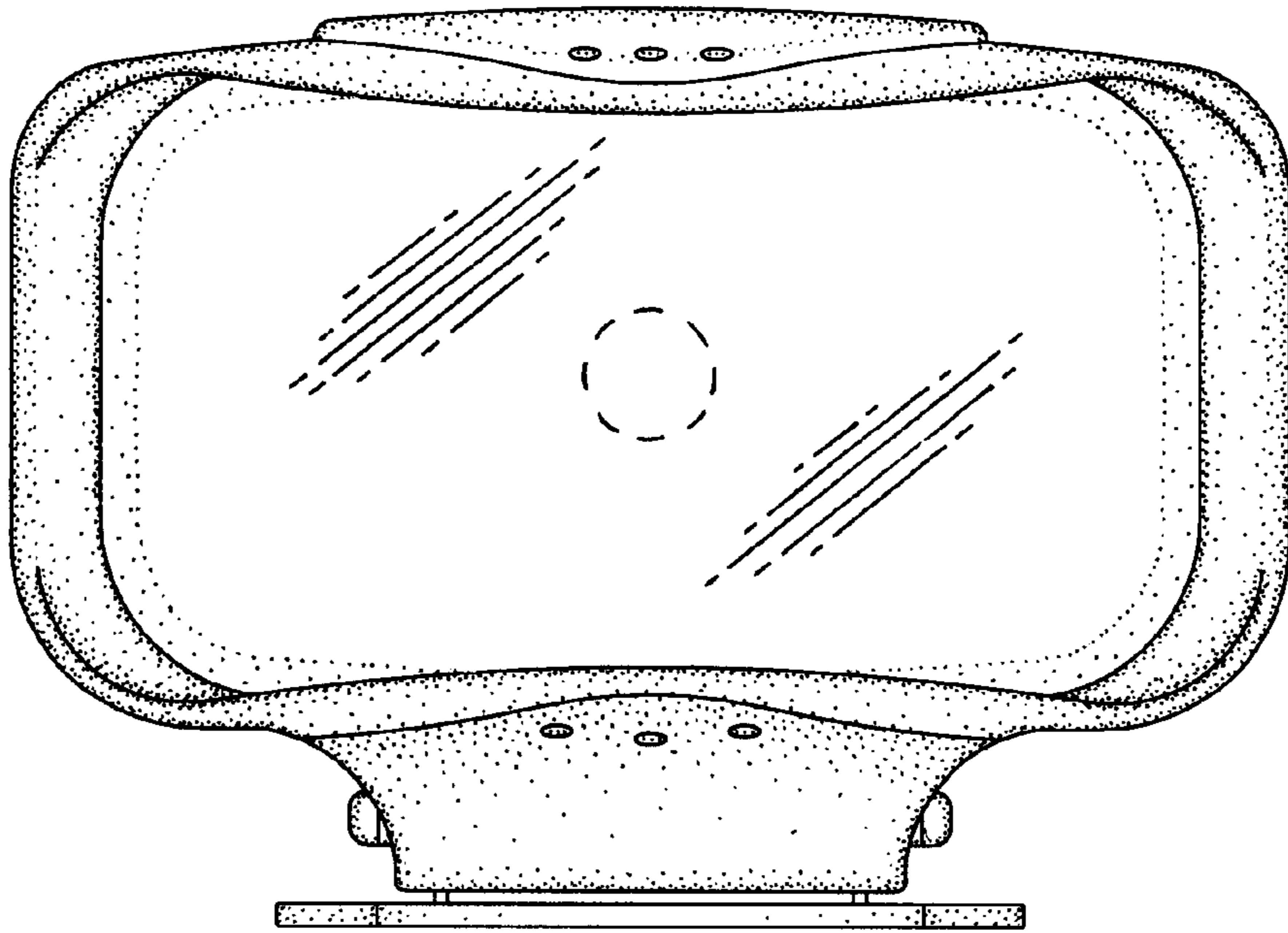


Fig. 2

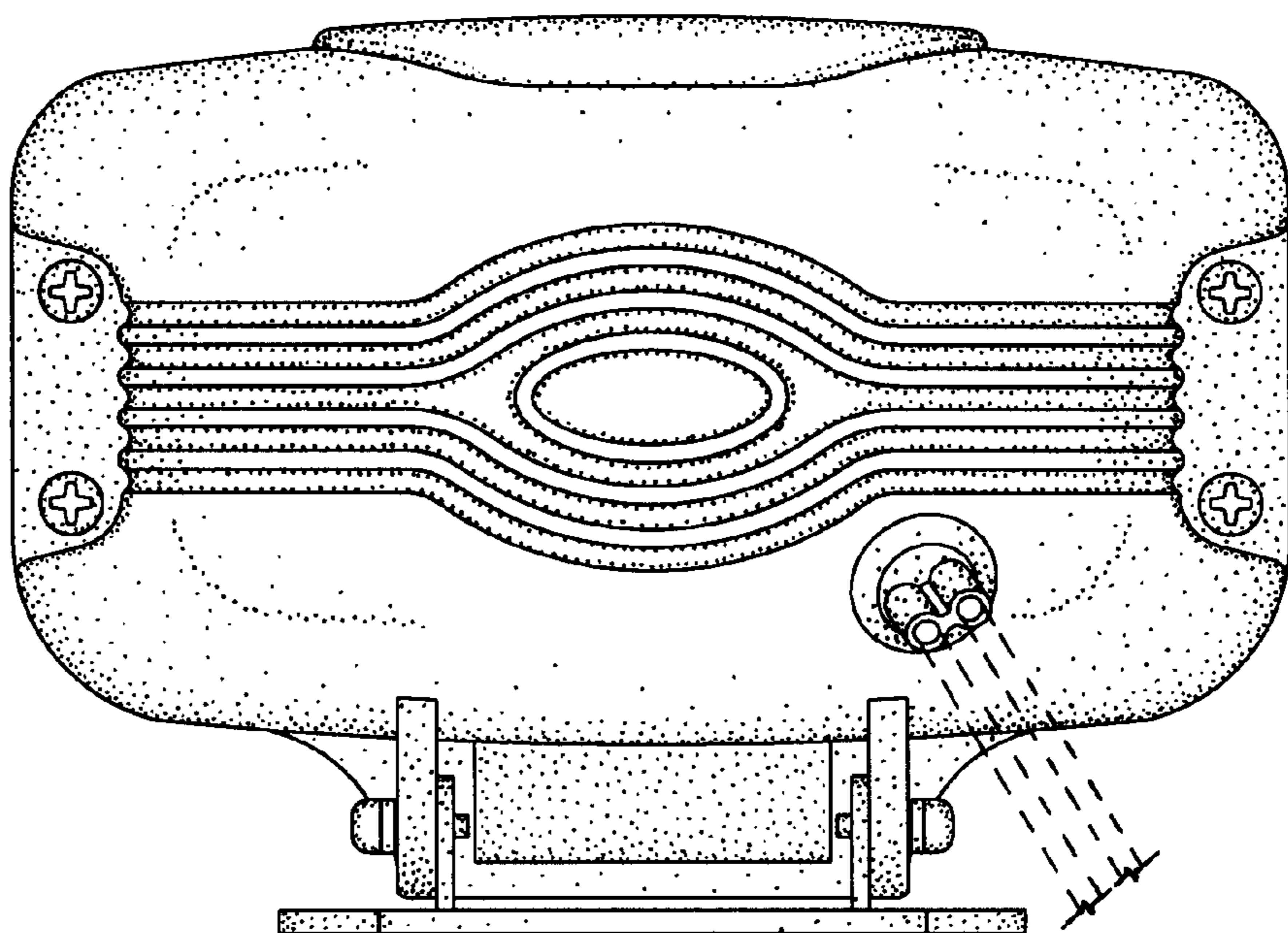


Fig. 3

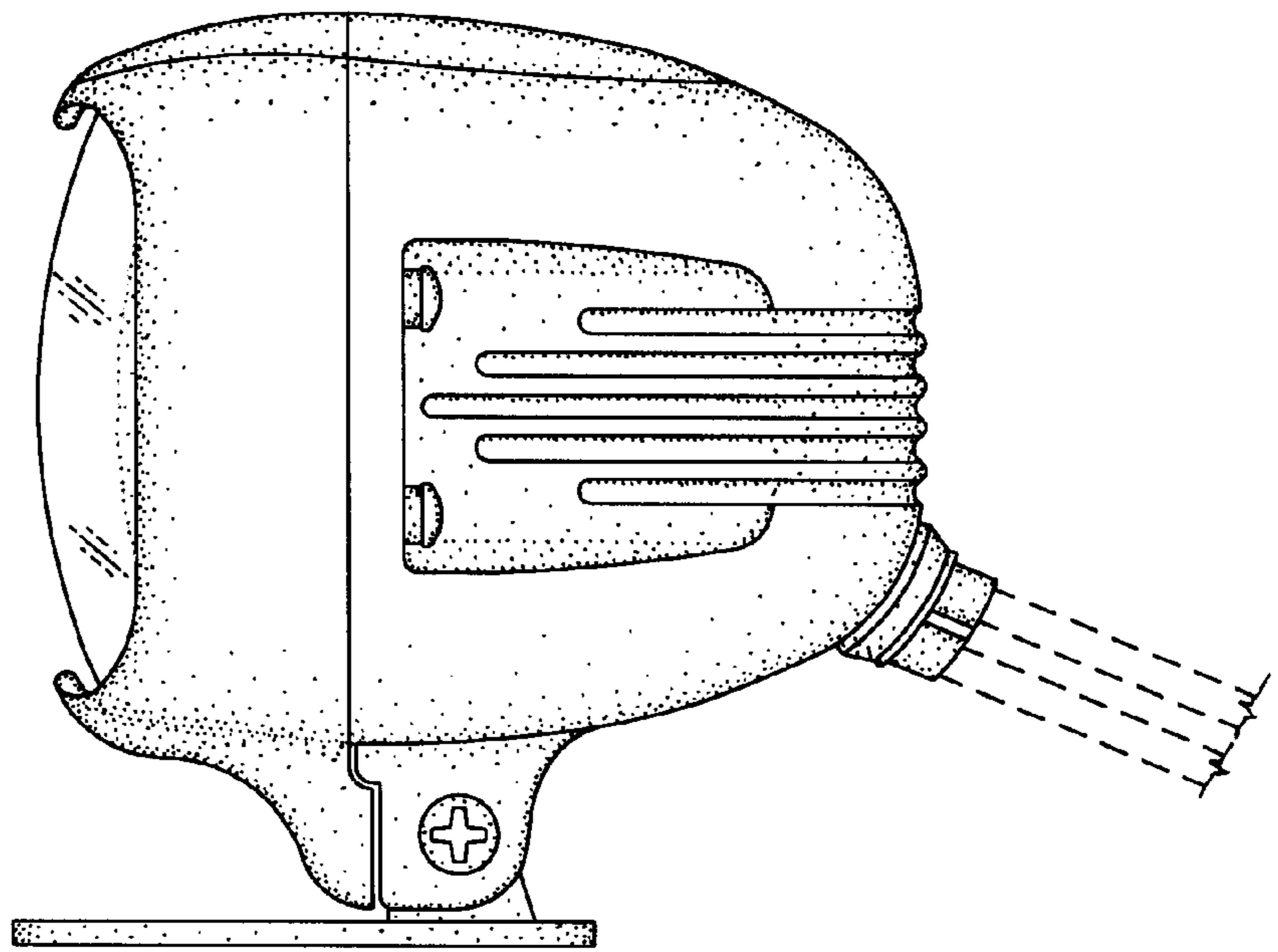


Fig. 4

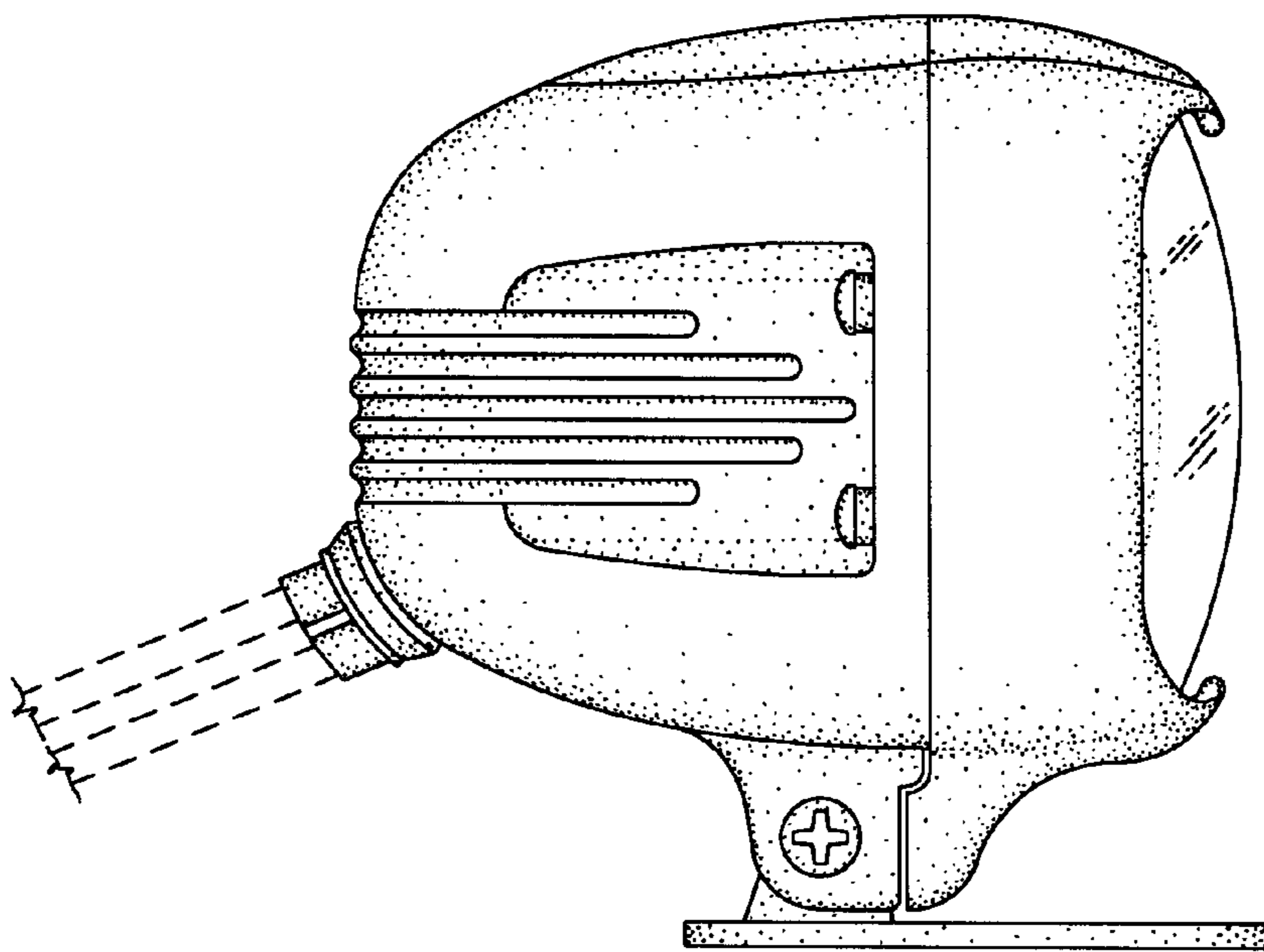


Fig. 5

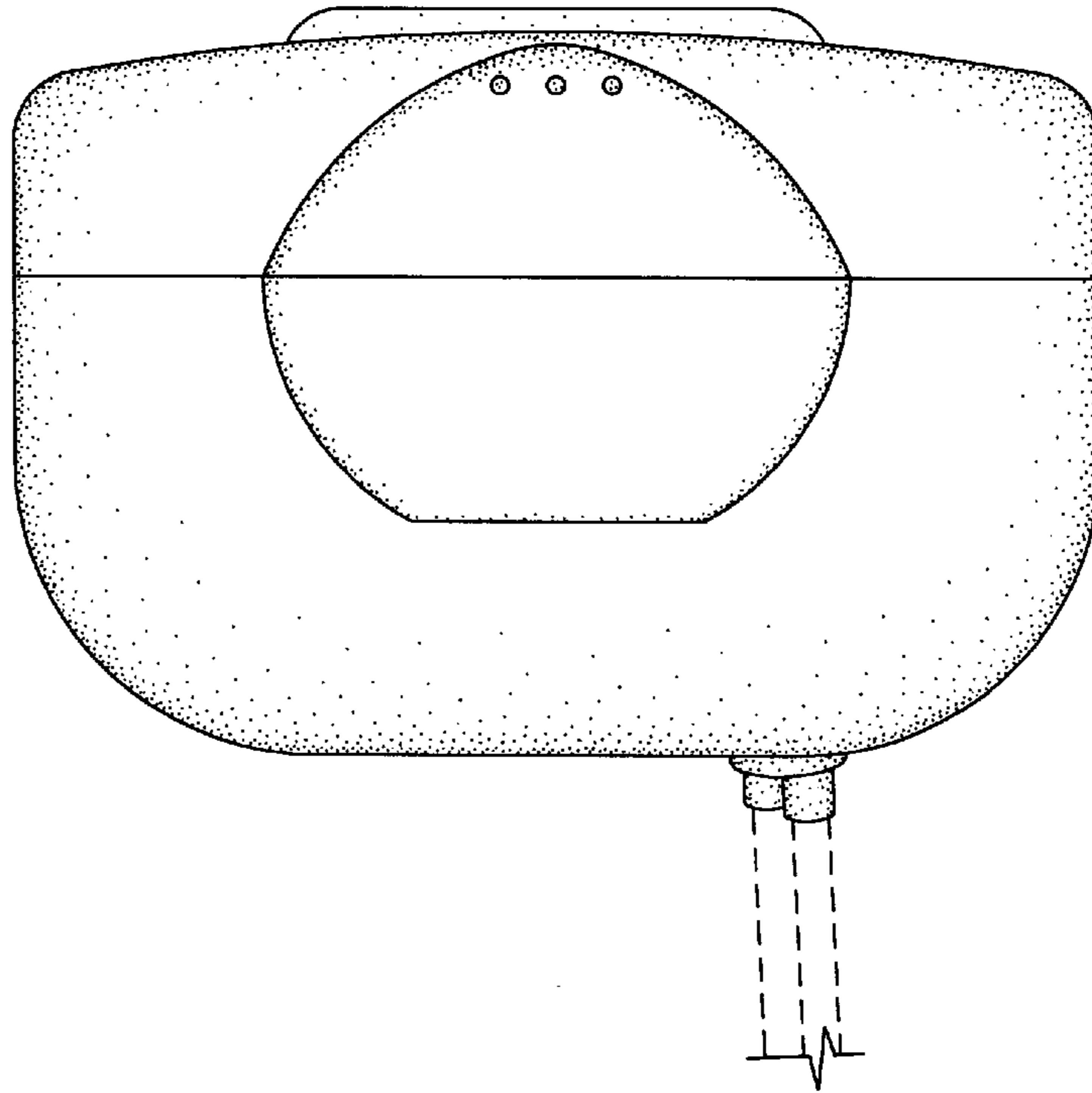


Fig. 6

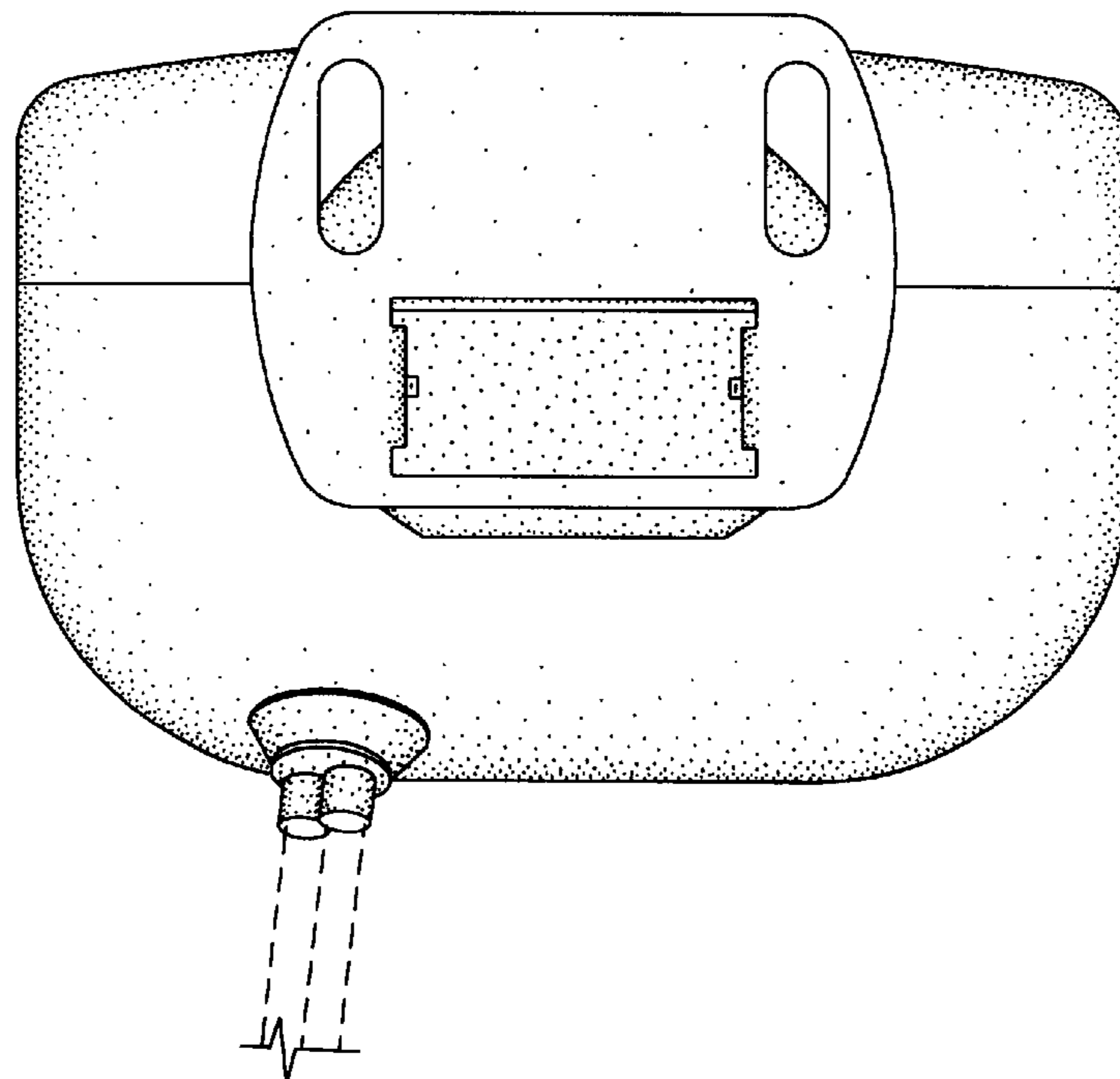


Fig. 7

