



US00D417517S

# United States Patent [19] Seale

[11] Patent Number: Des. 417,517

[45] Date of Patent: \*\* Dec. 7, 1999

[54] ILLUMINATED SEGMENT FOR DISPLAY

[76] Inventor: Marc A. Seale, R.R. 5, Box 1-12,  
Greenville, Ill. 62246

[\*\*] Term: 14 Years

[21] Appl. No.: 29/078,515

[22] Filed: Oct. 28, 1997

[51] LOC (6) Cl. .... 26-05

[52] U.S. Cl. .... D26/25

[58] Field of Search ..... D26/25; 362/806,  
362/226, 227, 811, 812, 800, 240, 249,  
252, 250; D20/12; 40/450, 451, 452

### [56] References Cited

#### U.S. PATENT DOCUMENTS

D. 34,848	7/1901	Norden	.....	D20/12
4,234,914	11/1980	Boesen .		
4,724,629	2/1988	Walton .		
4,733,486	3/1988	Gawell .		
4,970,812	11/1990	Tanaka et al. .		
5,268,828	12/1993	Miura .		
5,388,356	2/1995	Kalivas	.....	40/450

#### OTHER PUBLICATIONS

Exhibit A—Color brochure of All American Scoreboards, prior to filing date.

Exhibit B—Color brochure of Spectrum Corporation, prior to filing date.

Exhibit C—Color brochure of Unitec. 1997.

Exhibit D—Color brochure of Daktronics, Inc. 1995.

Exhibit E—Color brochure of Daktronics, Inc. 1996.

Exhibit F—Color brochure of Nevco Scoreboard, Inc. 1995.

Exhibit G—Color brochure of Nevco Scoreboard, Inc. 1996.

Primary Examiner—Susan J. Lucas

Attorney, Agent, or Firm—Frijouf, Rust & Pyle, P.A.

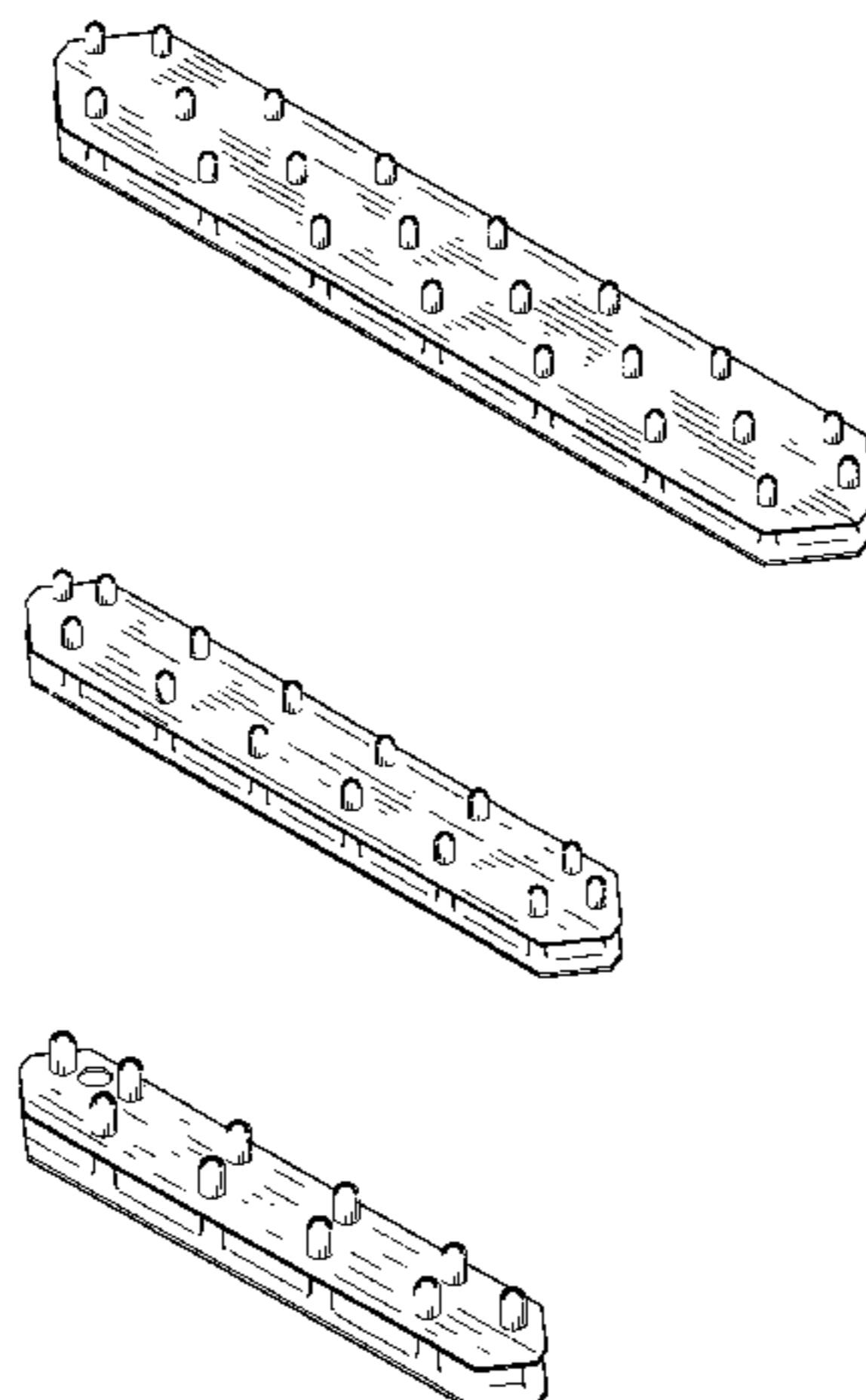
### [57] CLAIM

The ornamental design for an illuminated segment for display, as shown and described.

### DESCRIPTION

FIG. 1 is a front perspective view of a first embodiment of my new design for an illuminated segment for display; FIG. 2 is a rear perspective view thereof; FIG. 3 is a front view of FIG. 1; FIG. 4 is a rear view thereof; FIG. 5 is a top view thereof; FIG. 6 is a bottom view thereof; FIG. 7 is a left side view of FIG. 5; FIG. 8 is a right side view of FIG. 5; FIG. 9 is a reduced front view of the segment of the first embodiment of the claimed design for an illuminated segment for display, the segments completing the numeral 8 being shown in broken lines for illustrative purposes only; FIG. 10 is a front perspective view of a second embodiment of my new design for an illuminated segment for display; FIG. 11 is a rear perspective view thereof; FIG. 12 is a front view of FIG. 10; FIG. 13 is a rear view thereof; FIG. 14 is a top view thereof; FIG. 15 is a bottom view thereof; FIG. 16 is a left side view of FIG. 14; FIG. 17 is a right side view of FIG. 14; FIG. 18 is a reduced front view of the segment of the second embodiment of the claimed design for an illuminated segment for display, the segments completing the numeral 8 being shown in broken lines for illustrative purposes only; FIG. 19 is a front perspective view of a third embodiment of my new design for an illuminated segment for display; FIG. 20 is a rear perspective view thereof; FIG. 21 is a front view of FIG. 19; FIG. 22 is a rear view thereof; FIG. 23 is a top view thereof; FIG. 24 is a bottom view thereof; FIG. 25 is a left side view of FIG. 23; FIG. 26 is a right side view of FIG. 23; and, FIG. 27 is a reduced front view of the segment of the third embodiment of my new design for illuminated segment for display, the segments completing the numeral 8 being shown in broken lines for illustrative purposes only.

1 Claim, 9 Drawing Sheets



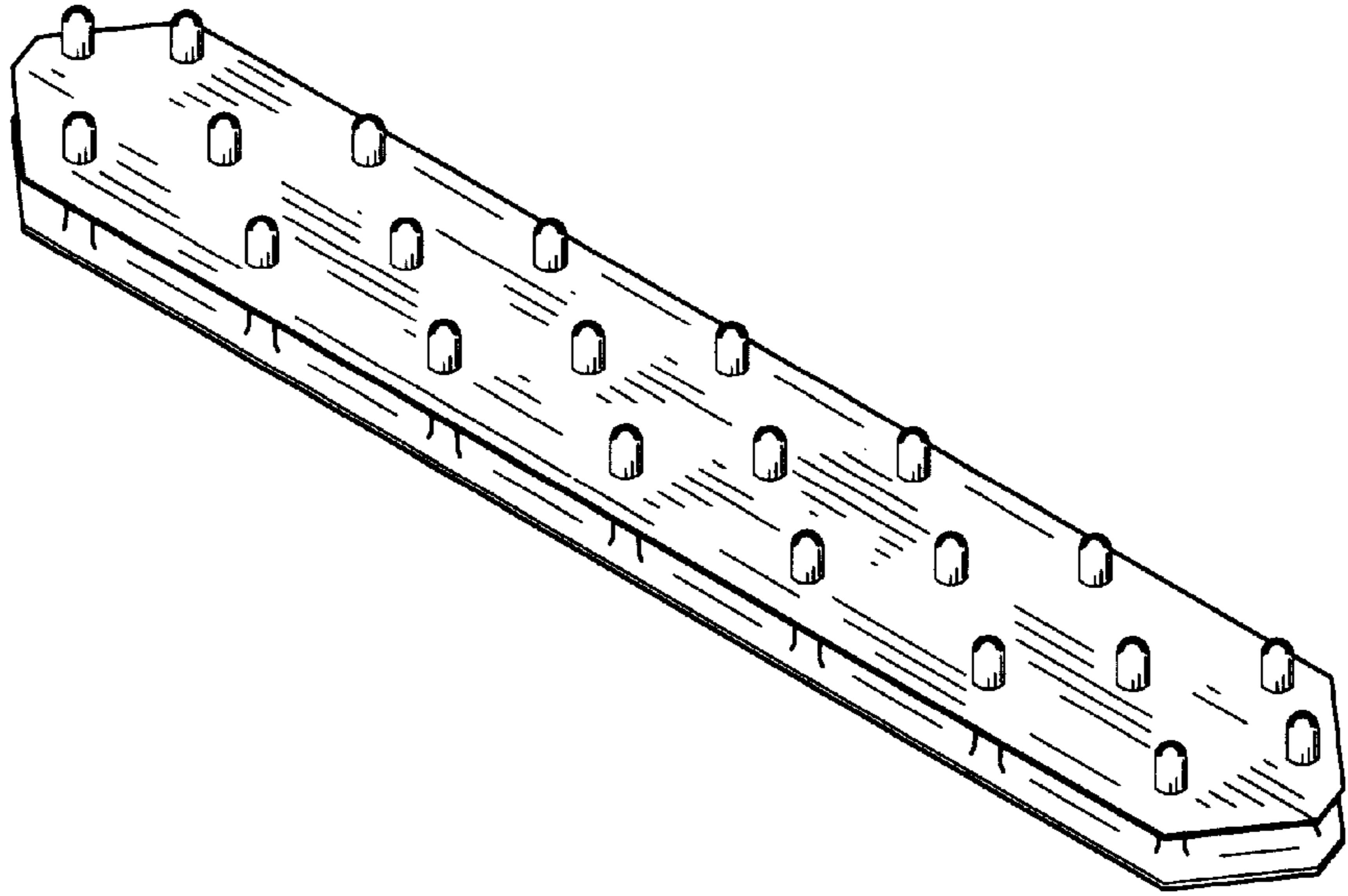


FIG. 1

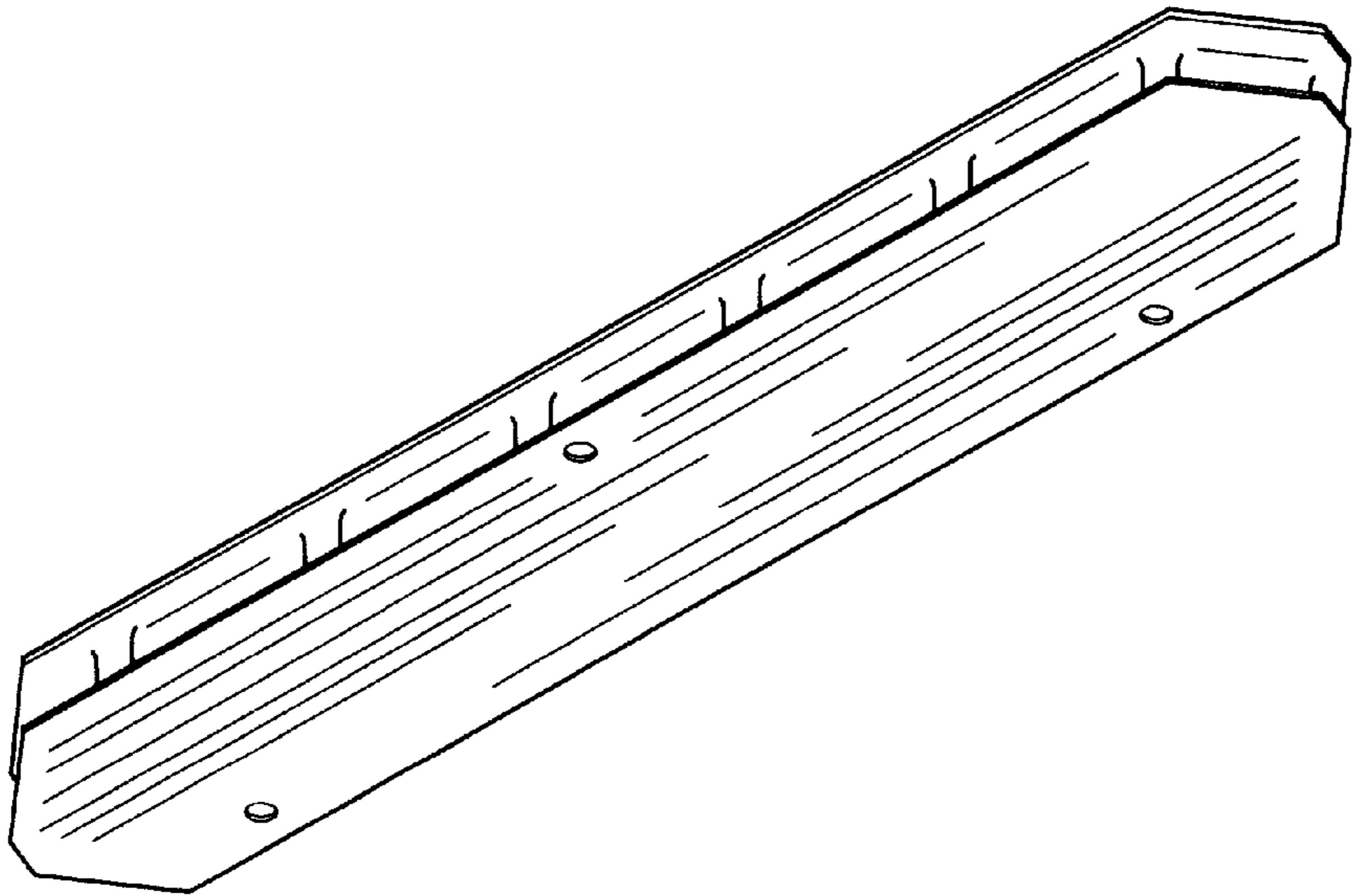


FIG. 2

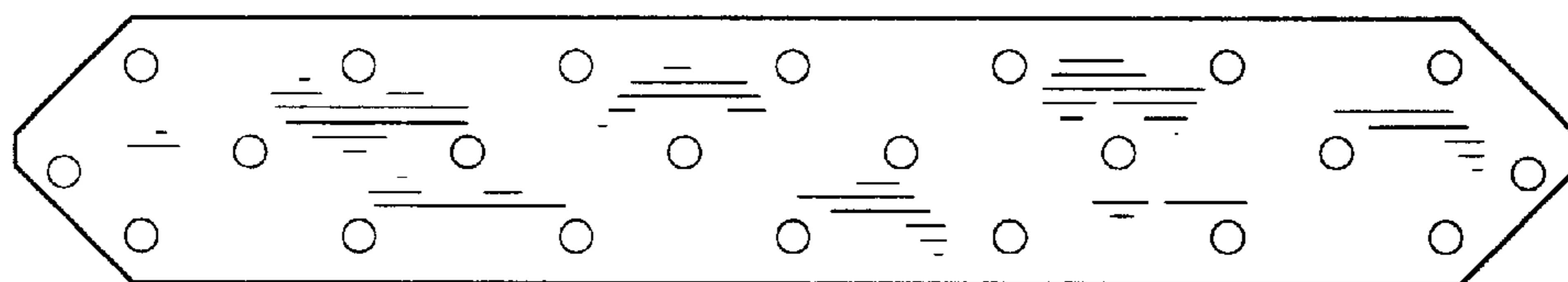


FIG. 3

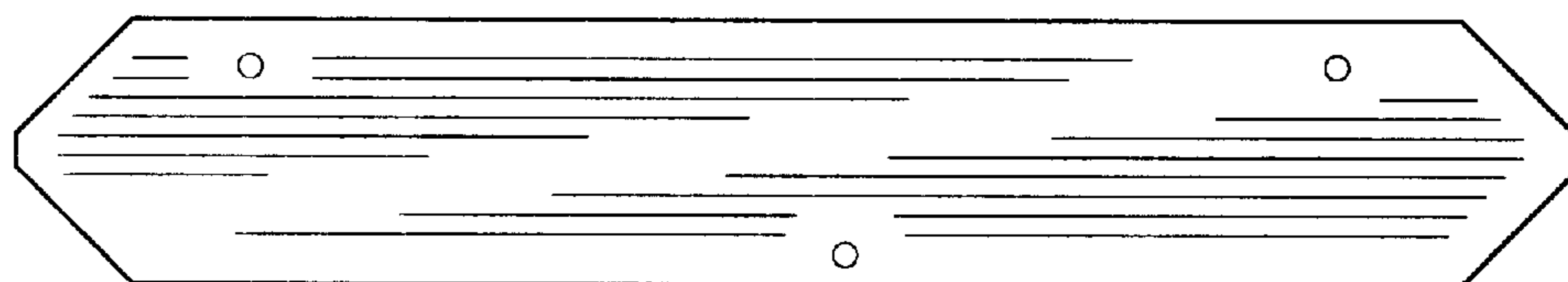


FIG. 4

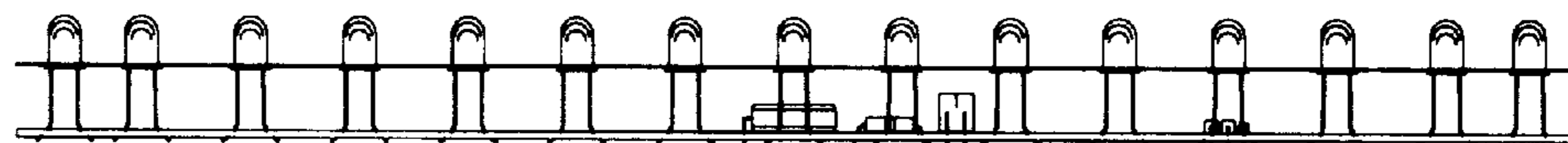


FIG. 5

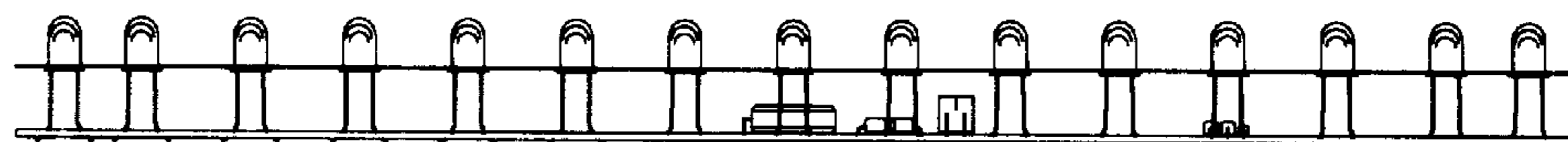


FIG. 6

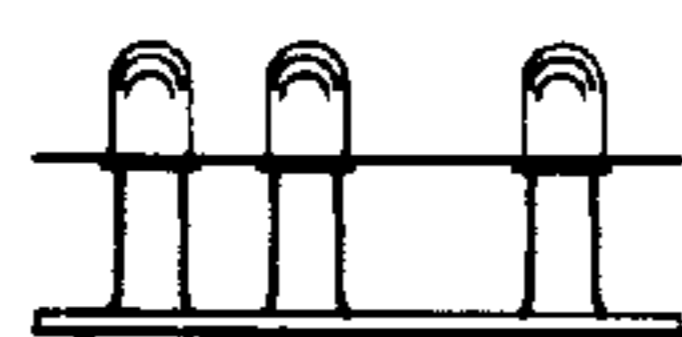


FIG. 7

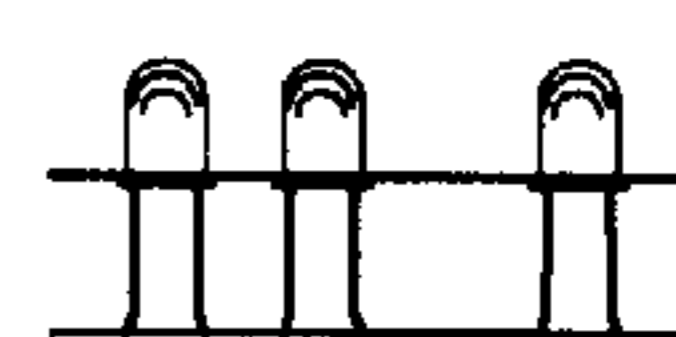


FIG. 8

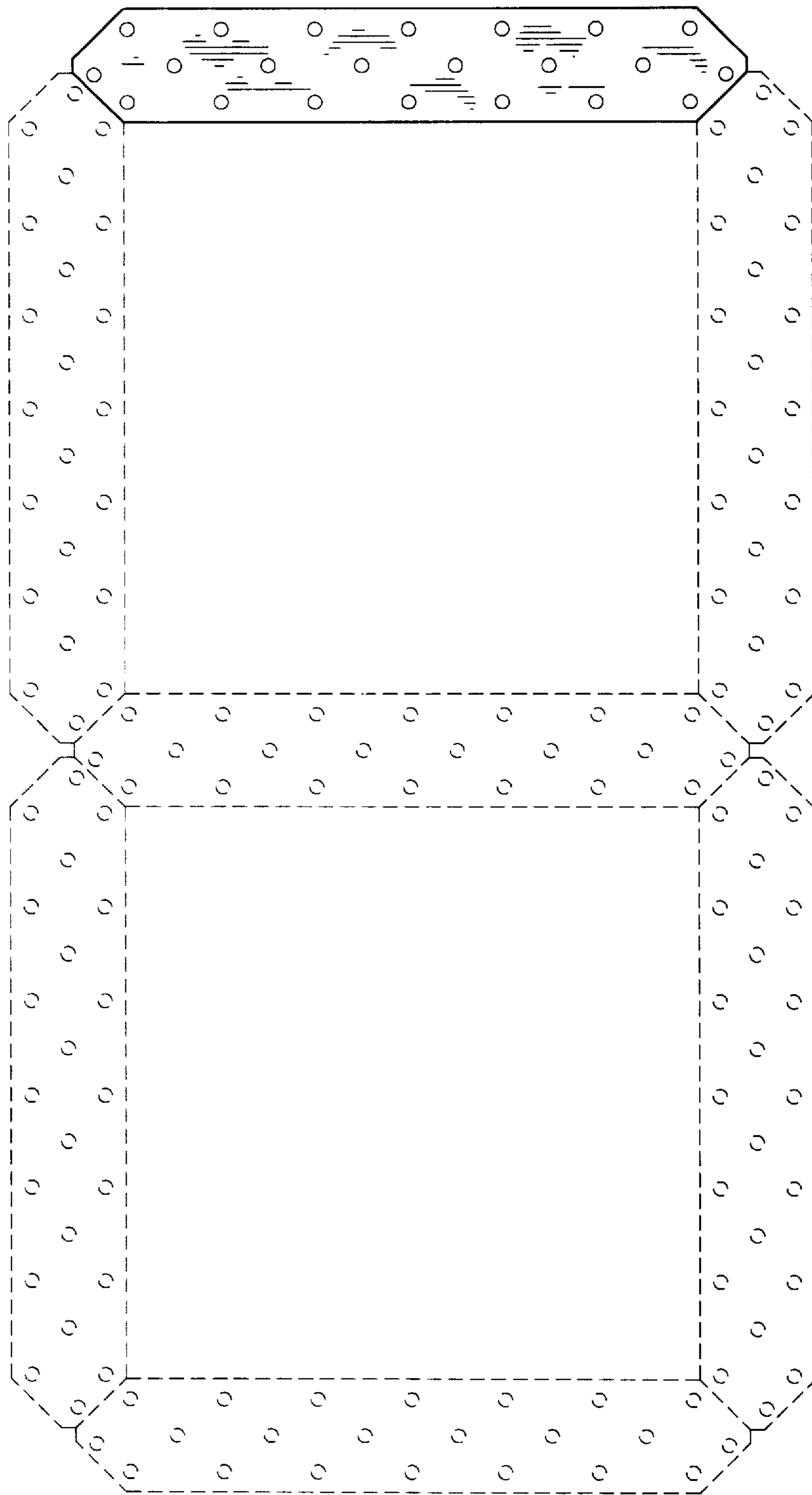


FIG. 9

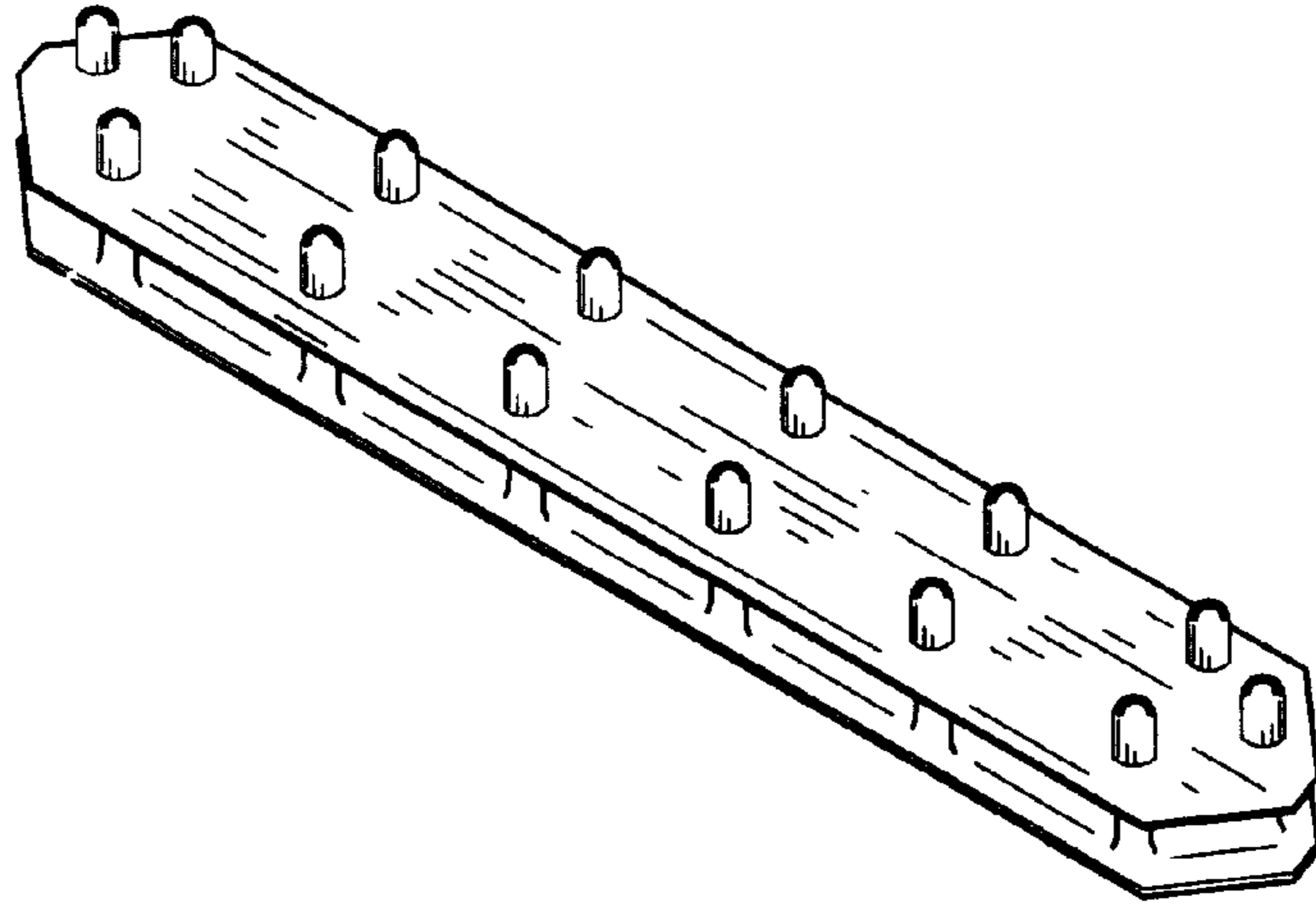


FIG. 10

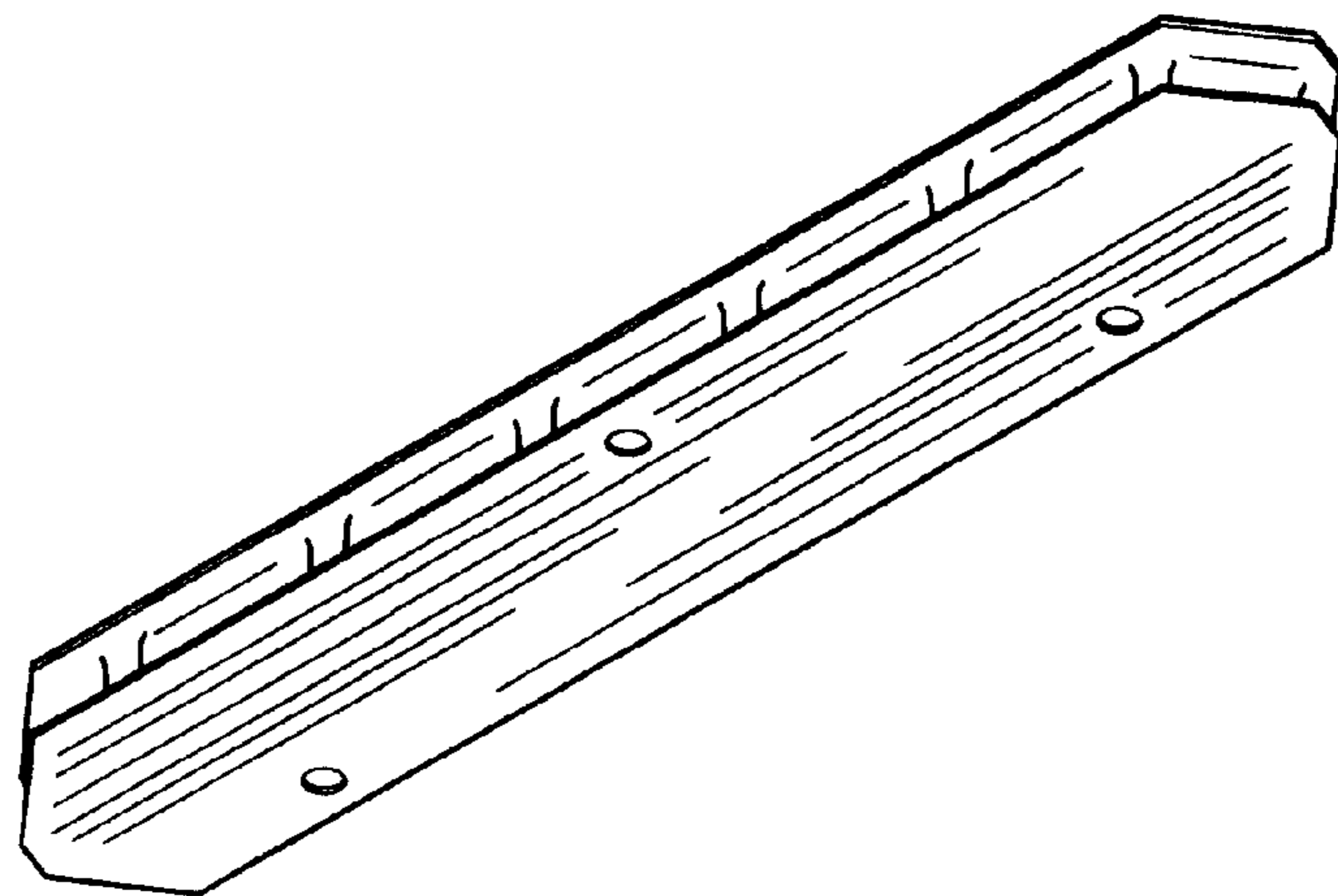


FIG. 11

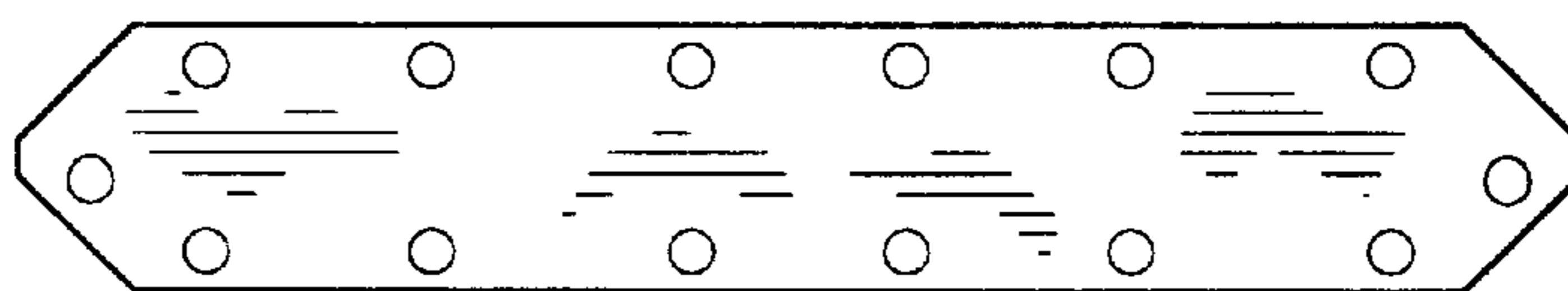


FIG. 12

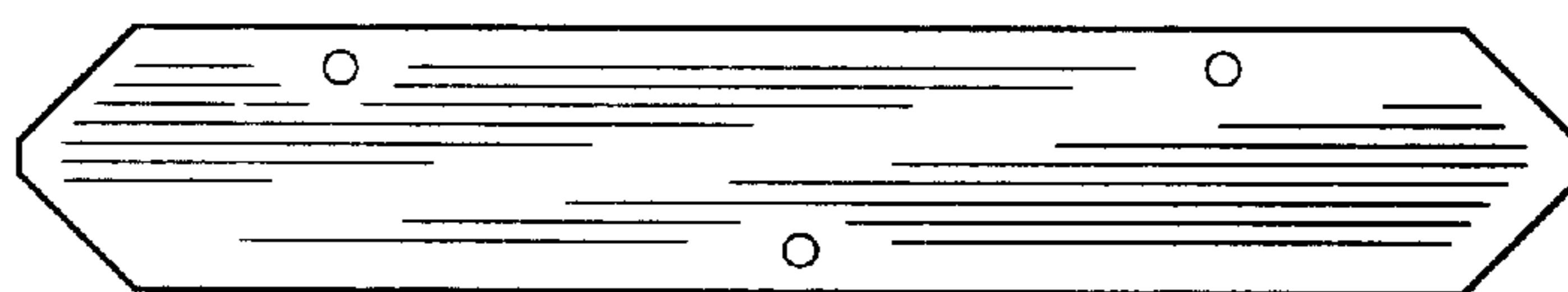


FIG. 13



FIG. 14

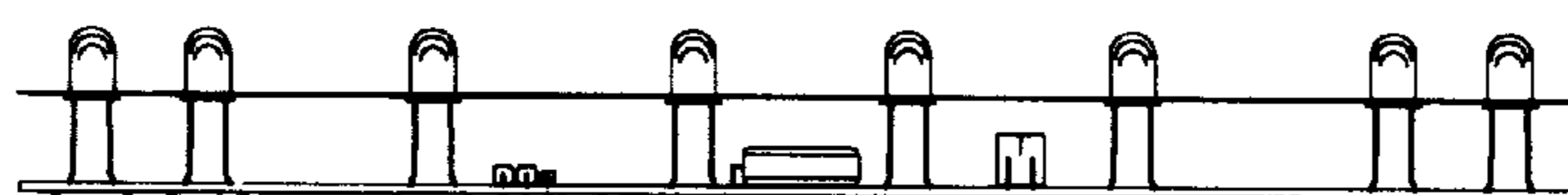


FIG. 15



FIG. 16



FIG. 17

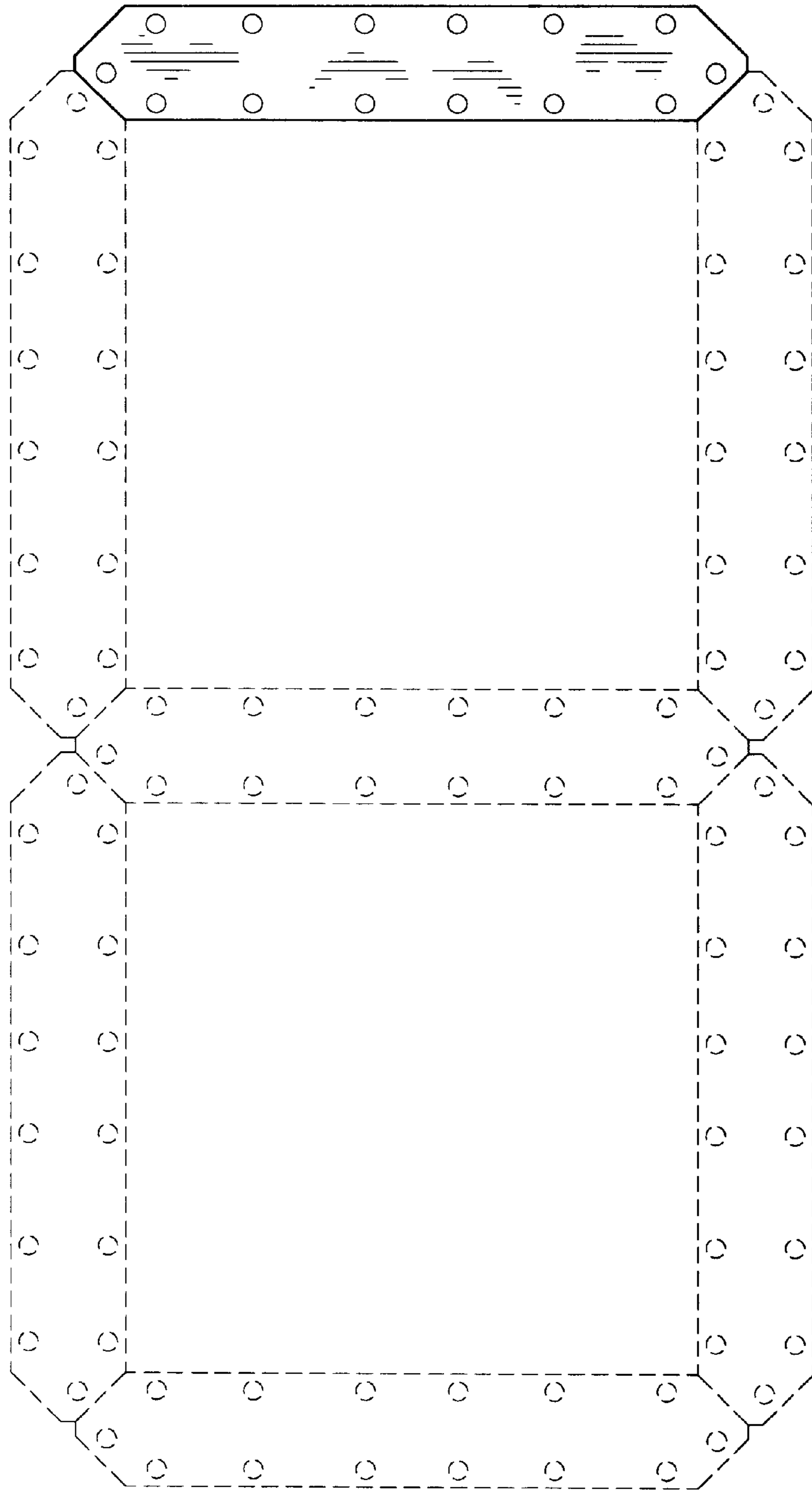


FIG. 18

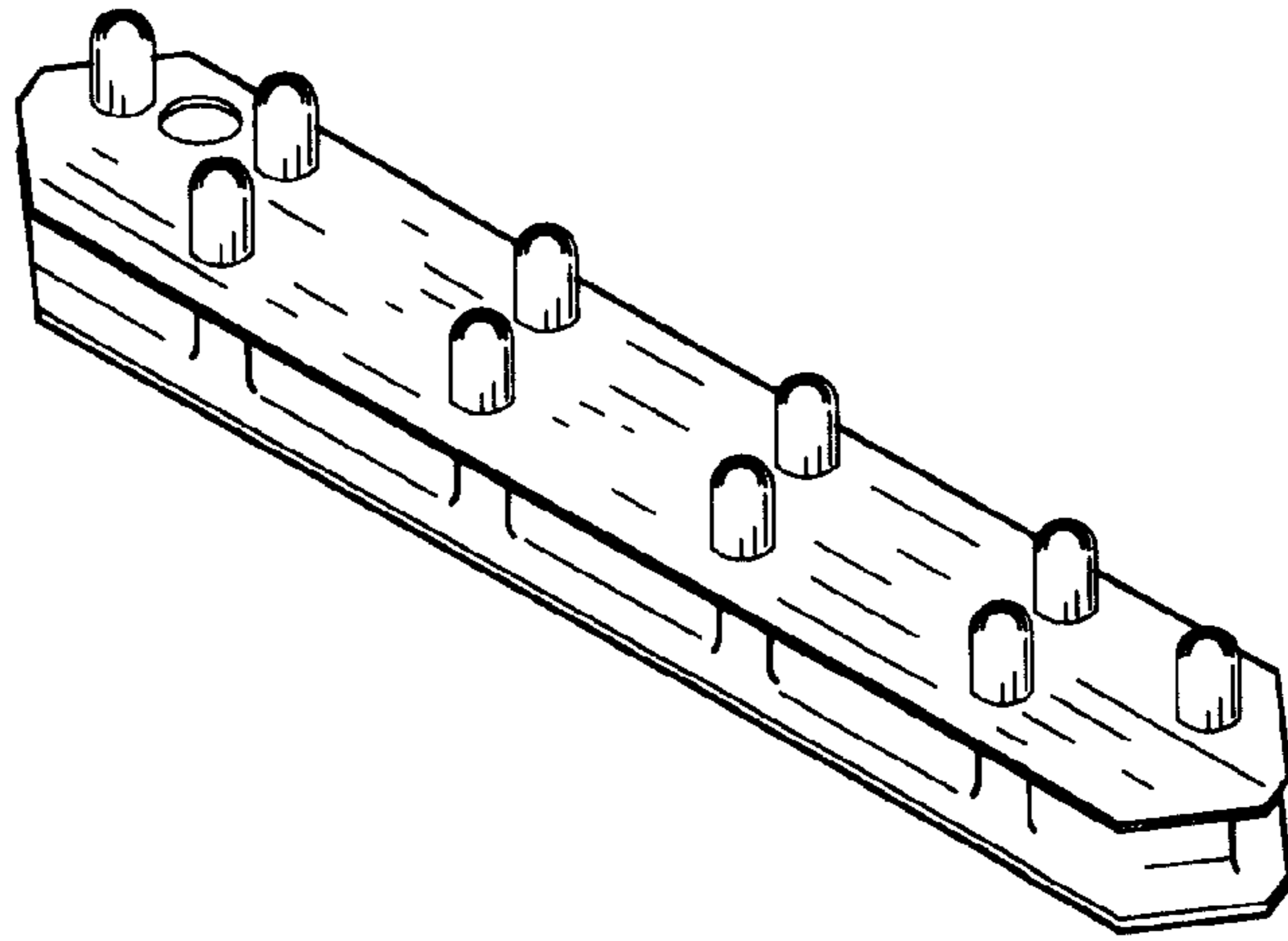


FIG. 19

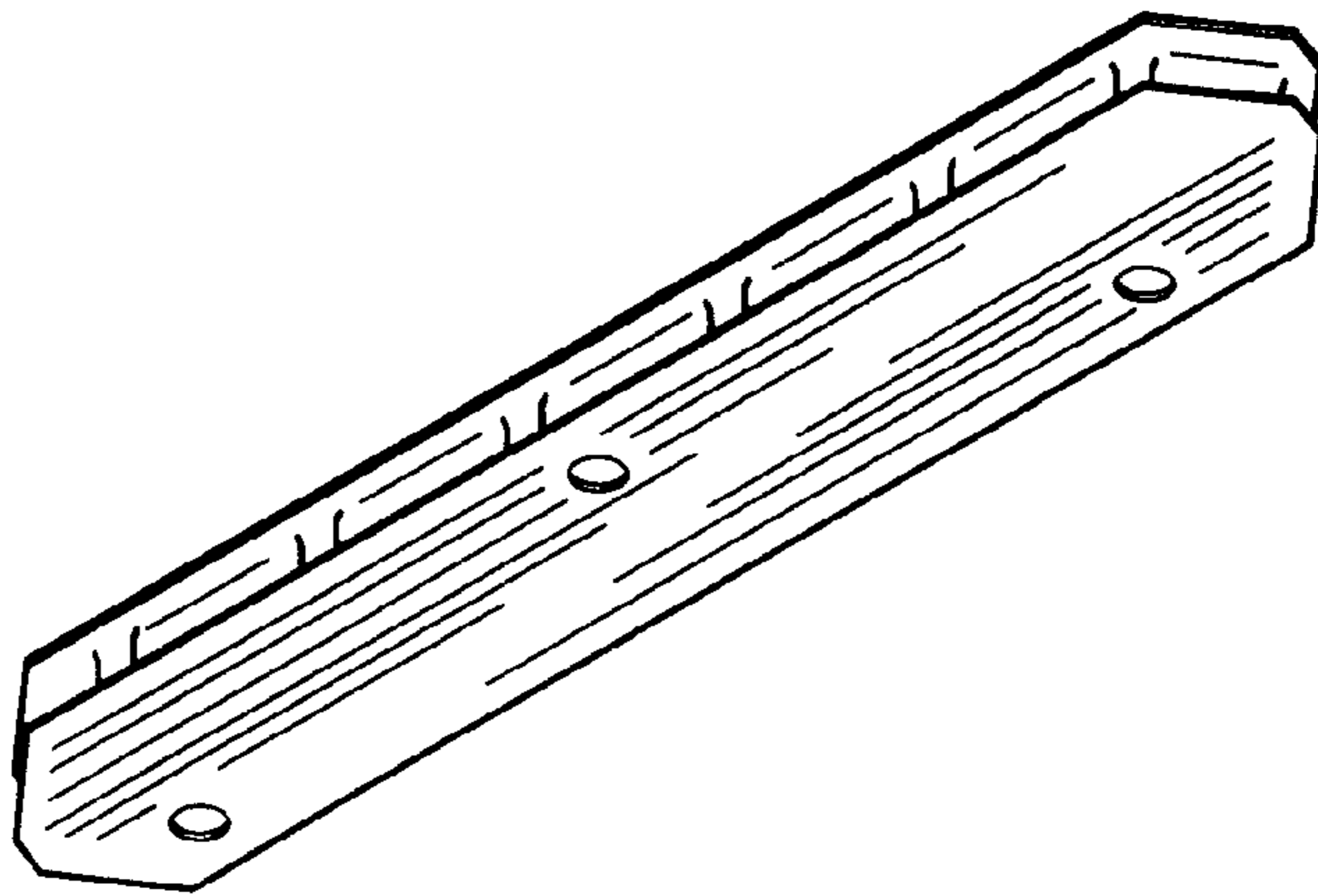


FIG. 20



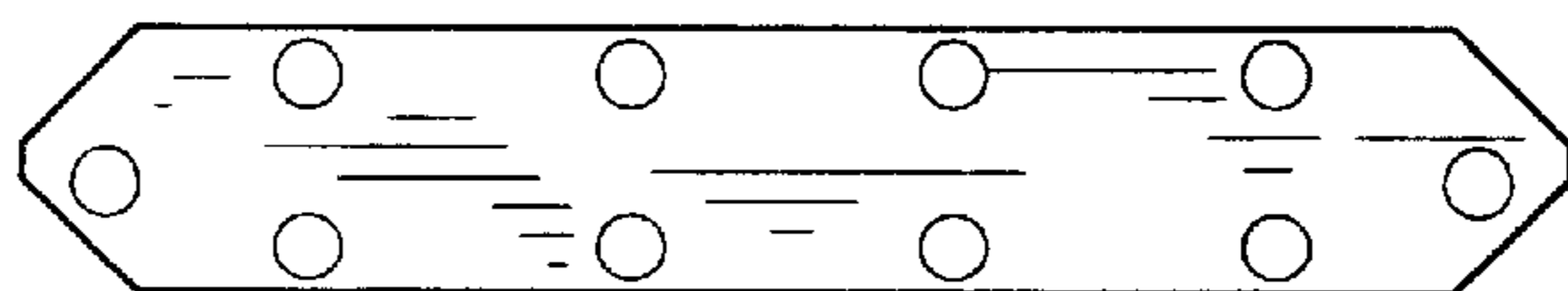


FIG. 21

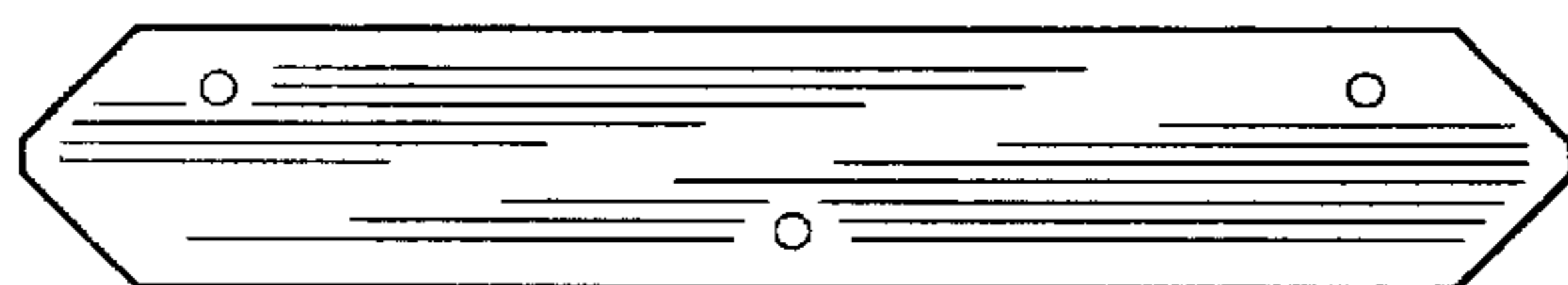


FIG. 22

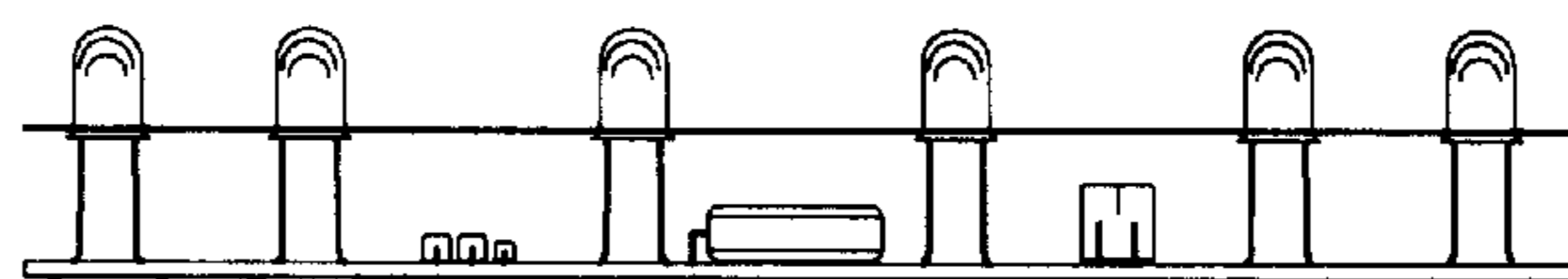


FIG. 23

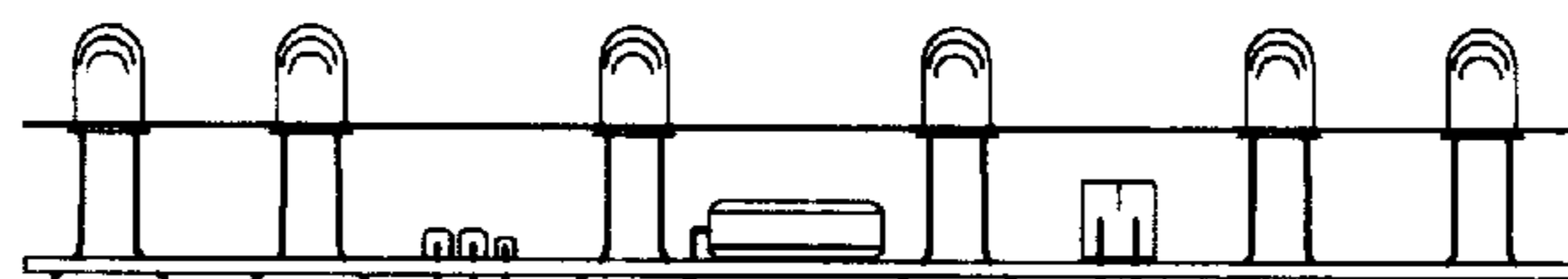


FIG. 24

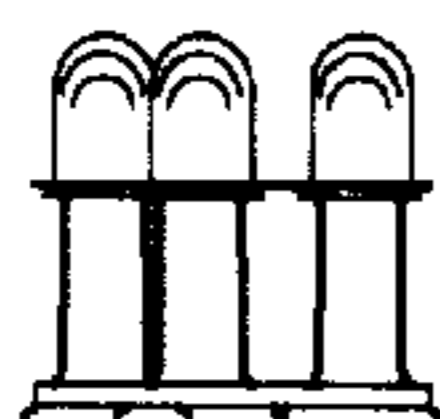


FIG. 25

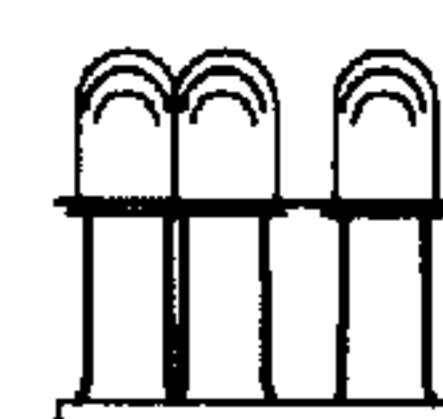


FIG. 26

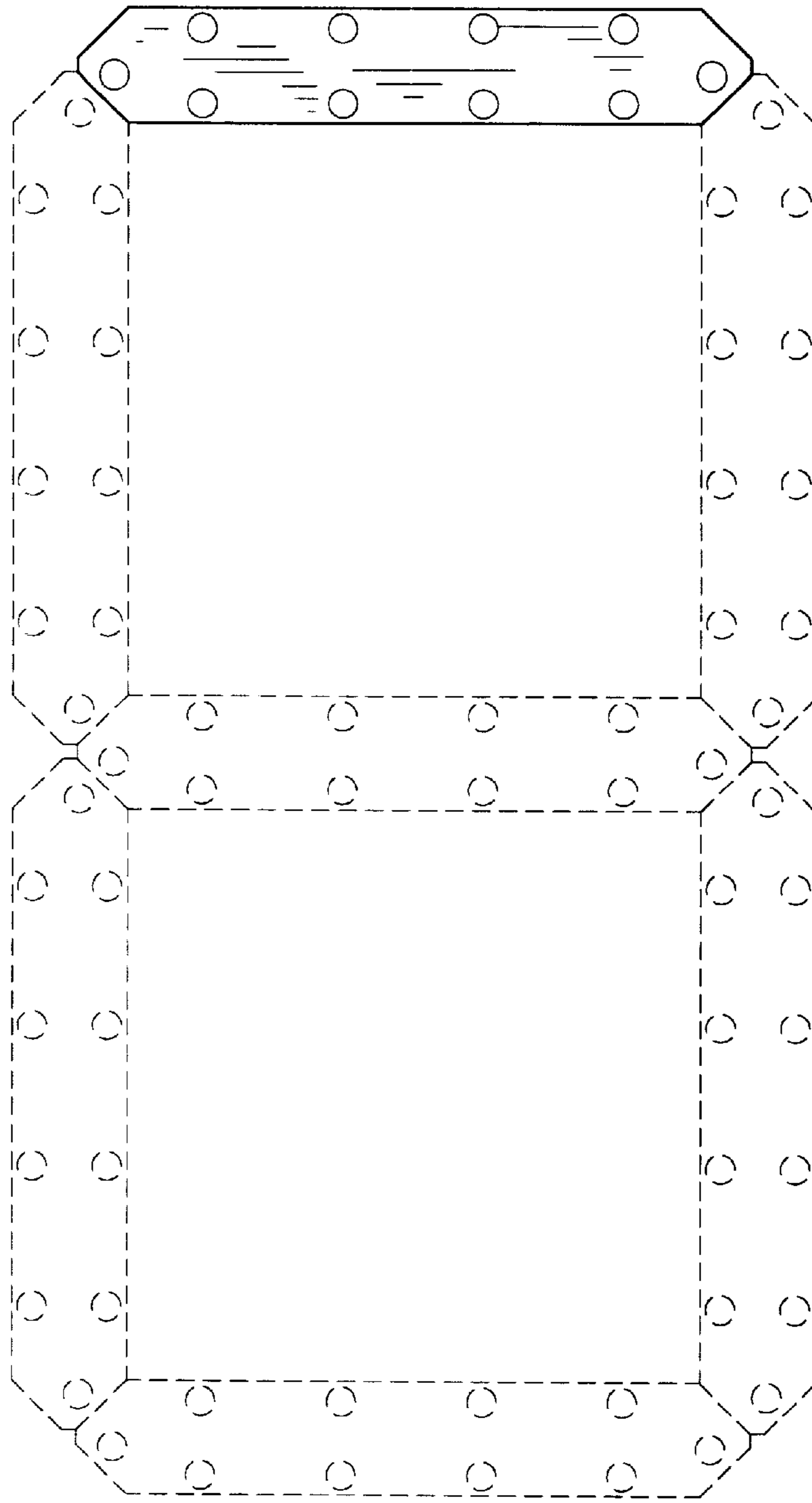


FIG. 27