



US00D417512S

United States Patent [19] Franson

[11] **Patent Number: Des. 417,512**

[45] **Date of Patent: ** Dec. 7, 1999**

[54] **WINDOW COMPONENT EXTRUSION**

D. 343,011 1/1994 Cole .
D. 366,321 1/1996 Franson D25/124
D. 394,909 6/1998 Gabriele D25/124

[75] Inventor: **Jeffrey R. Franson**, Maple Valley, Wash.

[73] Assignee: **Mikron Industries, Inc.**, Kent, Wash.

Primary Examiner—Doris Clark
Attorney, Agent, or Firm—Richardson & Folise

[**] Term: **14 Years**

[57] **CLAIM**

[21] Appl. No.: **29/105,671**

The ornamental design for a window component extrusion, as shown and described.

[22] Filed: **May 28, 1999**

DESCRIPTION

[51] **LOC (6) Cl.** **25-01**

[52] **U.S. Cl.** **D25/124**

[58] **Field of Search** D25/60, 52, 119-125;
52/205.1, 209.5, 204.56, 204.51, 730.3;
49/504, DIG. 2, 501, 407-408

FIG. 1 is a top right perspective view of the window component extrusion which is broken in the center indicating indefinite length; and,

FIG. 2 is a bottom left perspective view of the window component extrusion shown in FIG. 1.

[56] **References Cited**

U.S. PATENT DOCUMENTS

D. 338,721 8/1993 Cole .

1 Claim, 1 Drawing Sheet

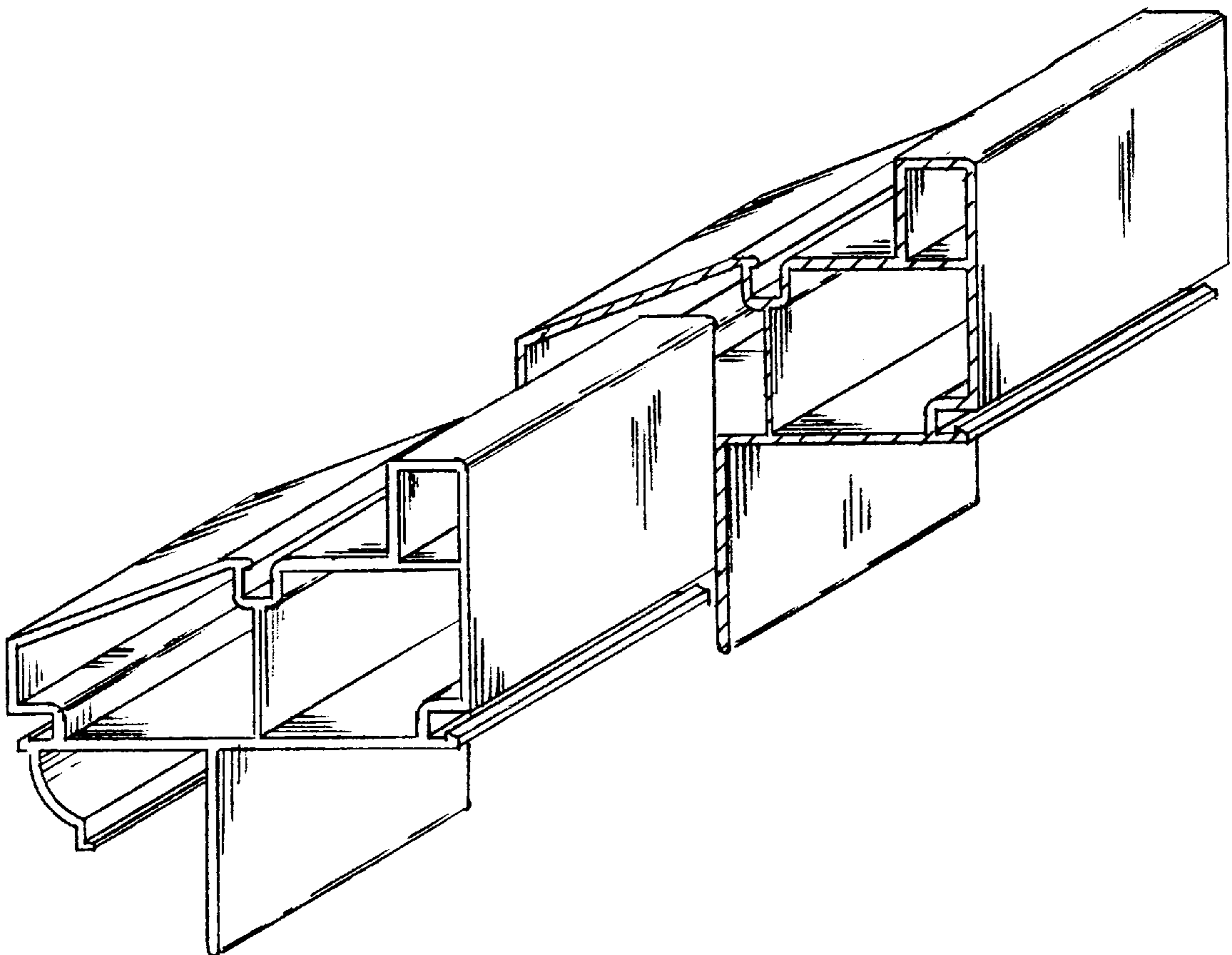


FIG. 1

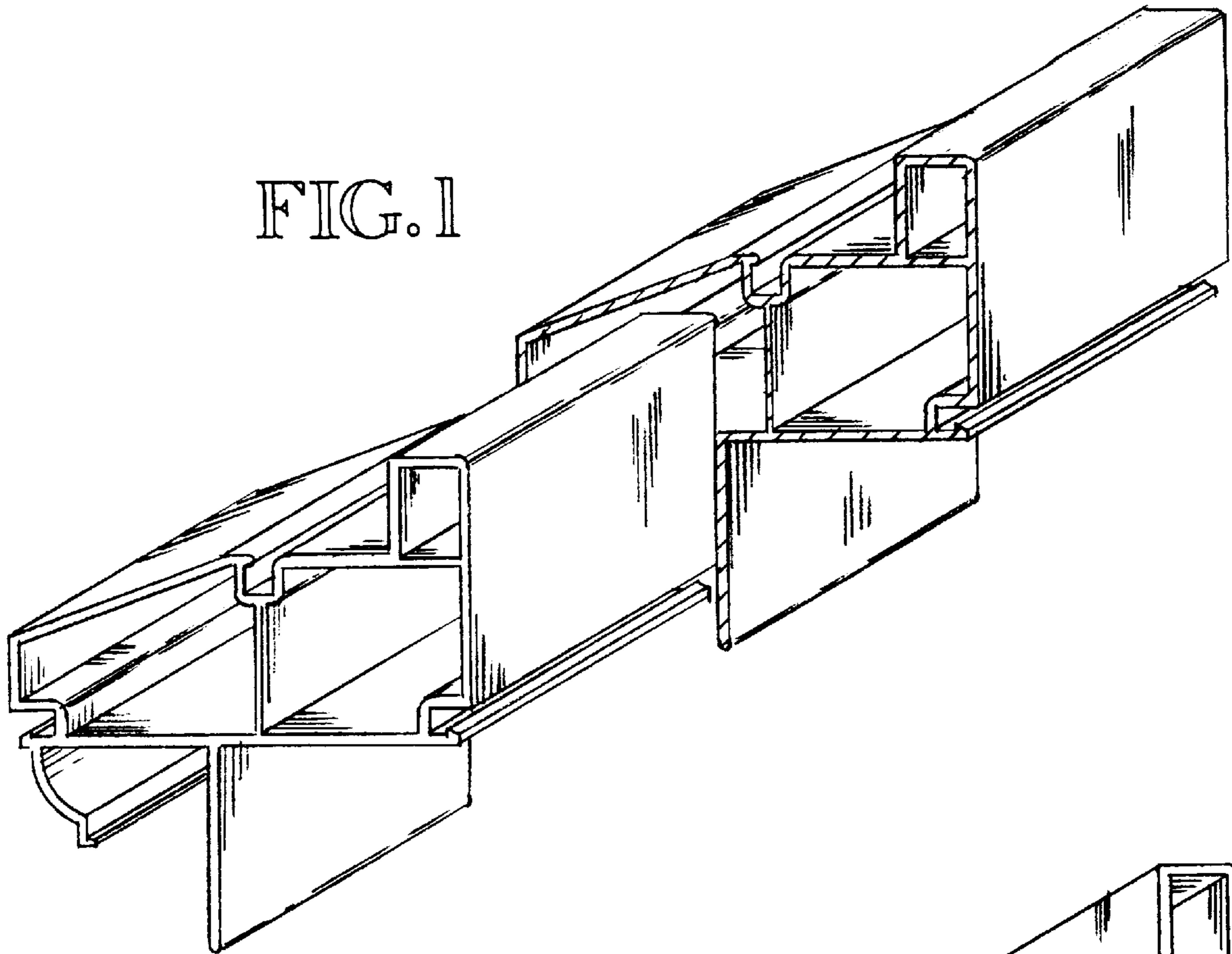


FIG. 2

