



US00D417509S

# United States Patent [19] Tyra

[11] **Patent Number: Des. 417,509**

[45] **Date of Patent: \*\* Dec. 7, 1999**

[54] **WINDOW COMPONENT EXTRUSION**

D. 379,534 5/1997 DiGiorgio ..... D25/124  
D. 405,891 2/1999 Oliver et al. .

[75] Inventor: **Kevin Tyra**, Puyallup, Wash.

[73] Assignee: **Mikron Industries, Inc.**, Kent, Wash.

[\*\*] Term: **14 Years**

*Primary Examiner*—Doris Clark  
*Attorney, Agent, or Firm*—Richardson & Folise

[21] Appl. No.: **29/104,972**

[22] Filed: **May 13, 1999**

[57] **CLAIM**

The ornamental design for a window component extrusion, as shown as described.

[51] **LOC (6) Cl.** ..... **25-01**

[52] **U.S. Cl.** ..... **D25/124**

[58] **Field of Search** ..... D25/60, 52, 119-125;  
52/204.5, 205.1, 204.56, 204.51, 730.3;  
49/504, DIG. 2, 501, 407-408

**DESCRIPTION**

FIG. 1 is a top right perspective view of the window component extrusion which is broken in the center indicating indefinite length; and,

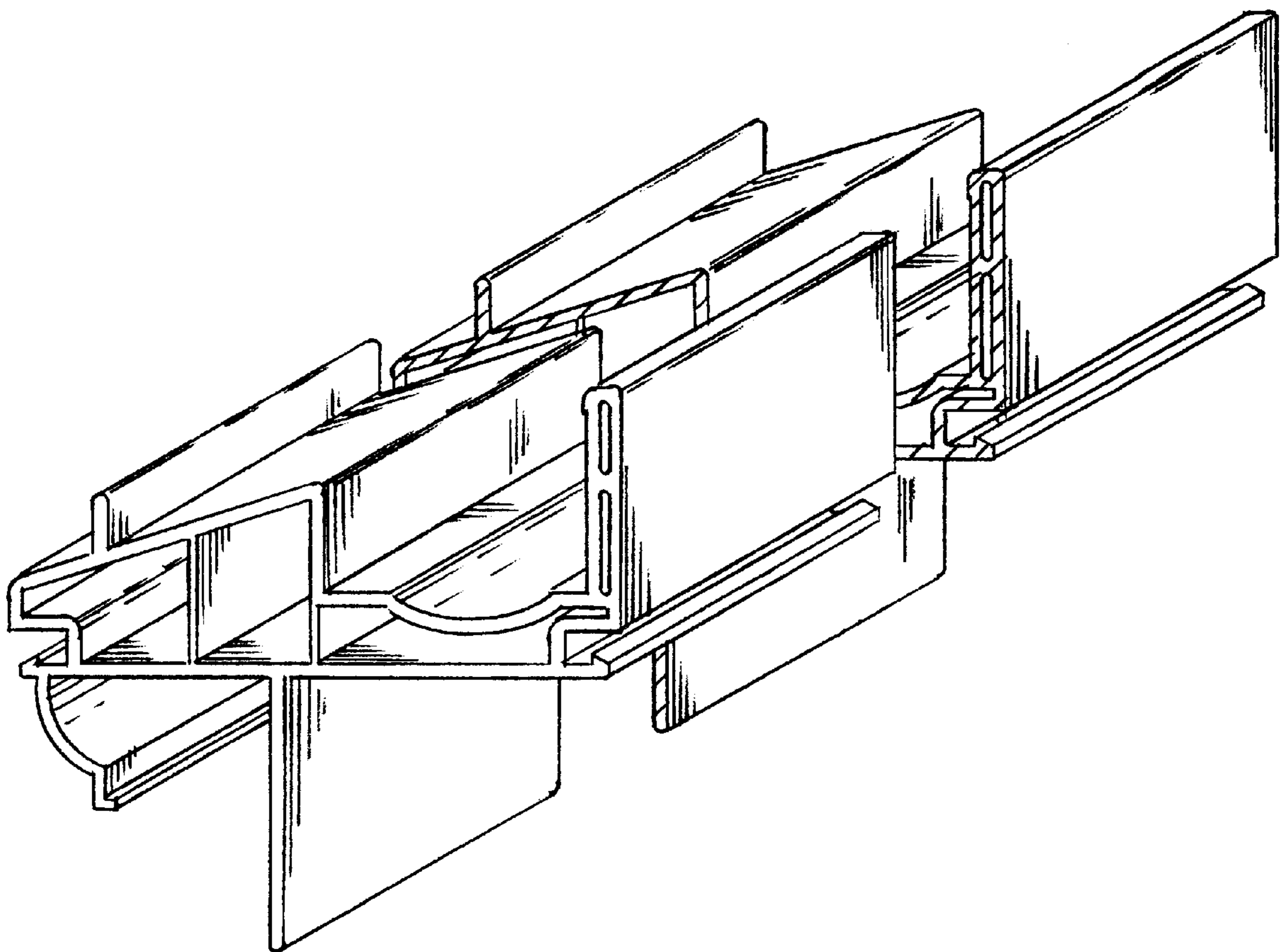
FIG. 2 is a bottom left perspective view of the window component extrusion shown in FIG. 1.

[56] **References Cited**

**U.S. PATENT DOCUMENTS**

D. 364,691 11/1995 Goss, Jr. .... D25/124

**1 Claim, 1 Drawing Sheet**



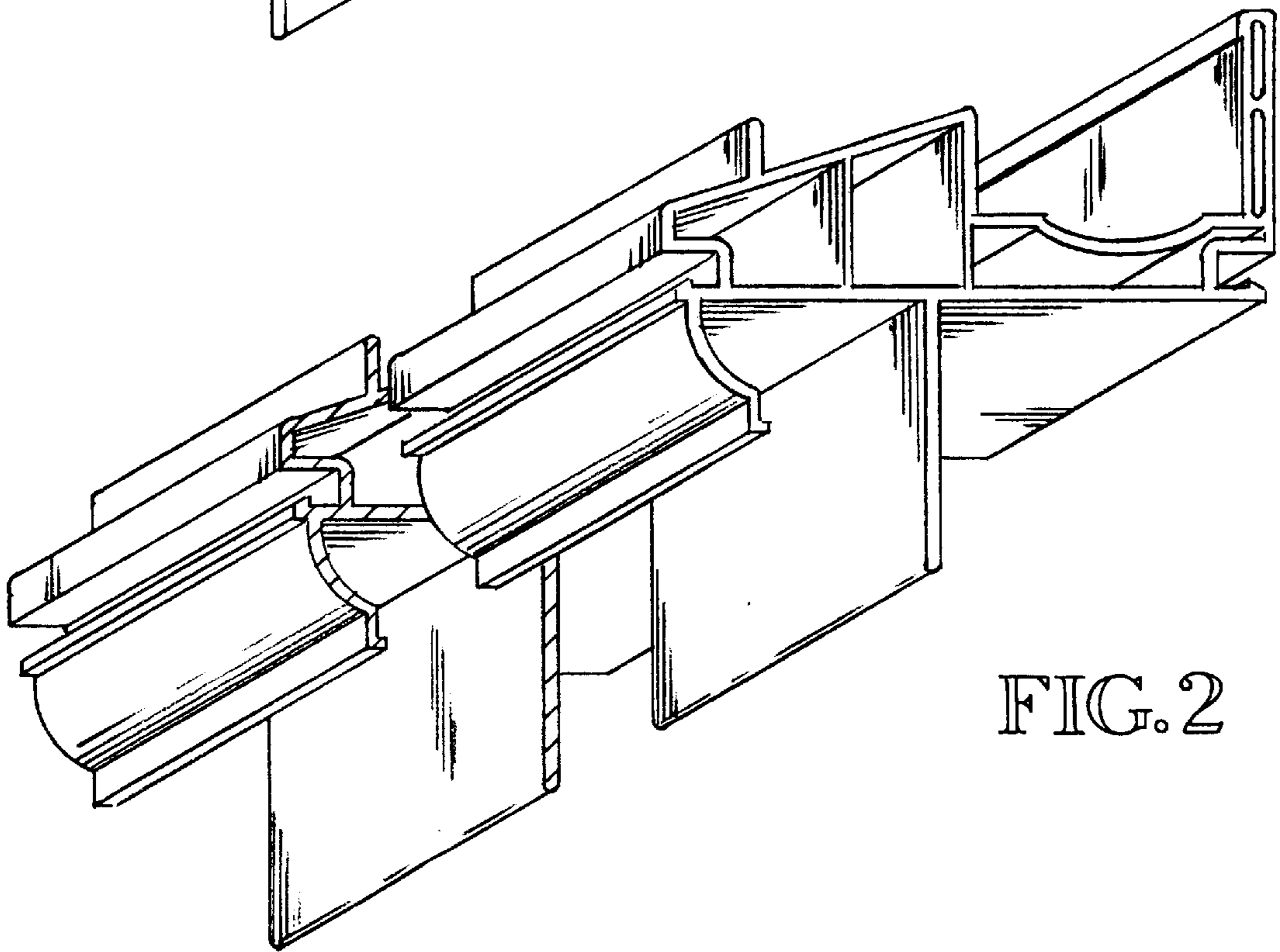
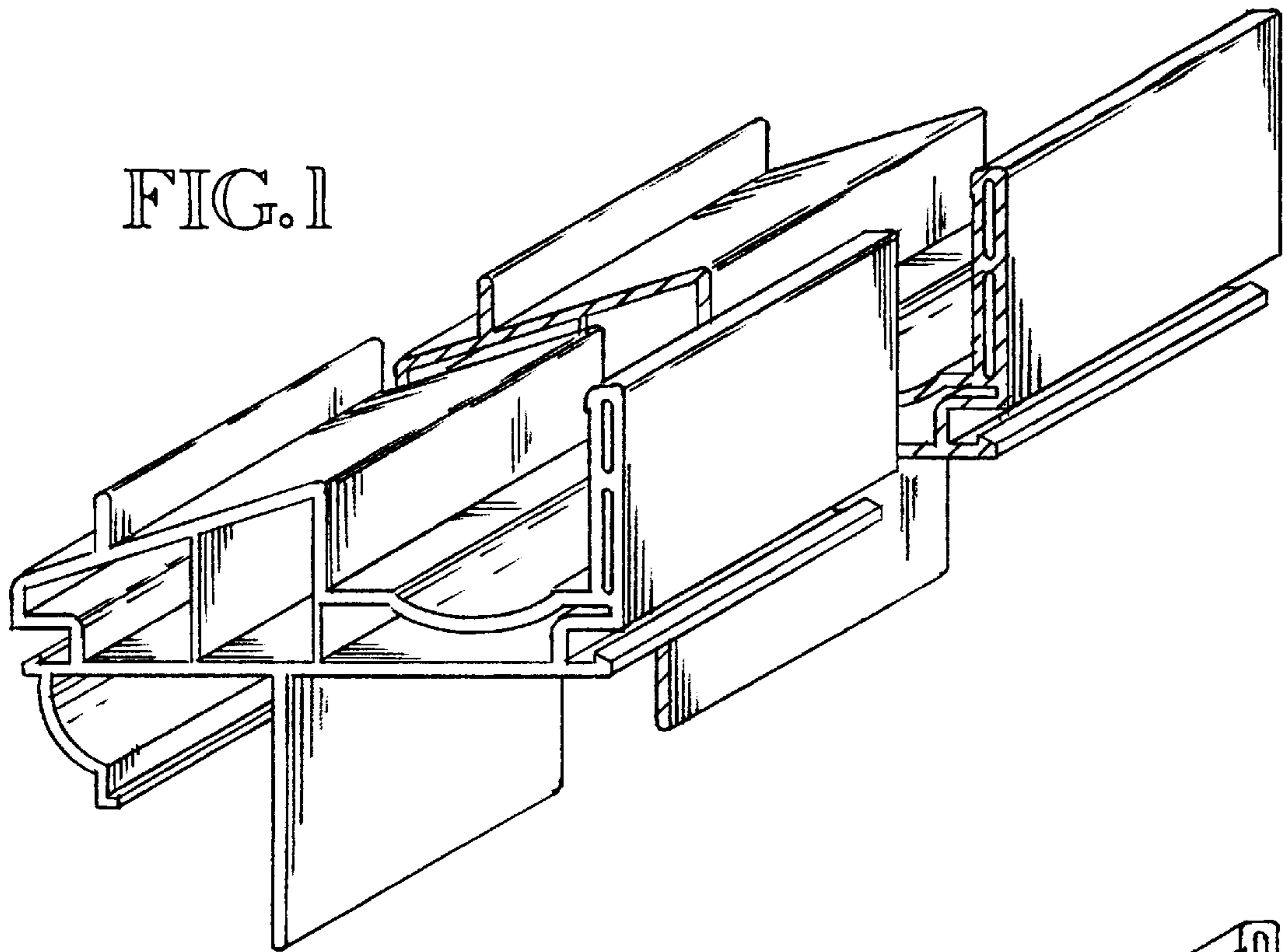


FIG. 2