



US00D417506S

# United States Patent [19] Harding

[11] Patent Number: Des. 417,506

[45] Date of Patent: \*\* Dec. 7, 1999

[54] **RETAINING WALL BLOCK**

[76] Inventor: **Bret E. Harding**, 705 E. 400 North, Lehi, Utah 84043

[\*\*] Term: **14 Years**

[21] Appl. No.: **29/080,008**

[22] Filed: **Dec. 3, 1997**

[51] **LOC (6) Cl.** ..... **25-01**

[52] **U.S. Cl.** ..... **D25/115**

[58] **Field of Search** ..... D21/484, 486,  
D21/499-502, 504; D25/113-115, 117-118;  
404/19, 33-42; 405/284-286; 52/596, 604-605,  
608-610

[56] **References Cited**

**U.S. PATENT DOCUMENTS**

D. 296,007	5/1988	Forsberg	.....	D25/113
D. 316,904	5/1991	Forsberg	.....	D25/114
D. 329,066	9/1992	Jarnros	.....	D21/500
D. 343,461	1/1994	Powell	.....	D25/114
D. 359,811	6/1995	Nerison	.....	D25/118
D. 363,787	10/1995	Powell	.....	D25/118
D. 381,086	7/1997	Forsberg	.....	D25/113
868,999	10/1907	Lease	.....	52/596
4,337,755	7/1982	Pitha	.....	52/314
4,627,764	12/1986	Scheiwiller	.....	404/41
4,825,619	5/1989	Forsberg	.....	D25/113
4,922,678	5/1990	Scheiwiller	.....	52/604
5,505,034	4/1996	Dueck	.....	52/604
5,560,173	10/1996	Scheiwiller	.....	52/608
5,651,642	7/1997	Kelley, Jr. et al.	.....	405/286
5,771,654	6/1998	Moore et al.	.....	52/604

**OTHER PUBLICATIONS**

Rudolph customized concrete masonry units: Concrete Masonry Pictorial, vol. 33, No. 3, 1977, p. 5.  
"6 Round Fluted Block" p. 9 and "8 Rib Split Block" p. 11: Sweet's General Building and Renovation Catalog, vol. 2, 1993; Anchor Concrete Products Inc., Buyline 6518, 04200/ANC.

*Primary Examiner*—Louis S. Zarfes

*Assistant Examiner*—Robert A. Delehanty

*Attorney, Agent, or Firm*—Mallinckrodt & Mallinckrodt

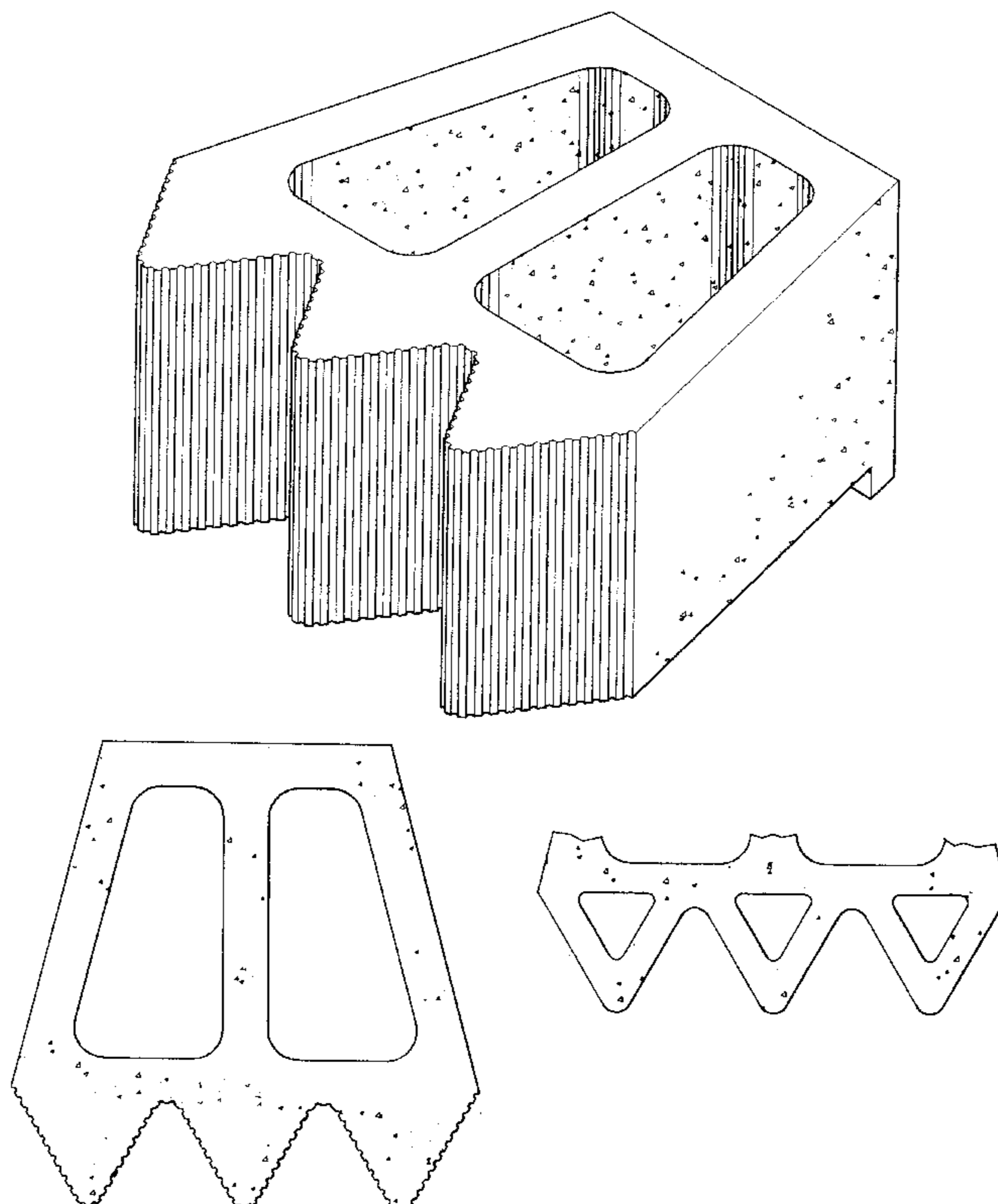
[57] **CLAIM**

The ornamental design for a retaining wall block, as shown and described.

**DESCRIPTION**

FIG. 1 is a front and right side perspective view of a retaining wall block showing my new design; FIG. 2 is a top plan view thereof; FIG. 3 is a left-side elevational view thereof, the right side being a mirror image; FIG. 4 is a front elevational view thereof; FIG. 5 is a rear elevational view thereof; FIG. 6 is an enlarged fragmentary view from FIG. 2 showing the surface texture detail of a tooth; FIG. 7 is a bottom plan view; and, FIG. 8 is a fragmentary top plan view of a second embodiment of my design, the only difference being the smooth surface texture and triangular holes in each tooth it being understood that the remaining surfaces of the retaining wall block are the same as the first embodiment shown in FIGS. 1 through 7.

**1 Claim, 3 Drawing Sheets**



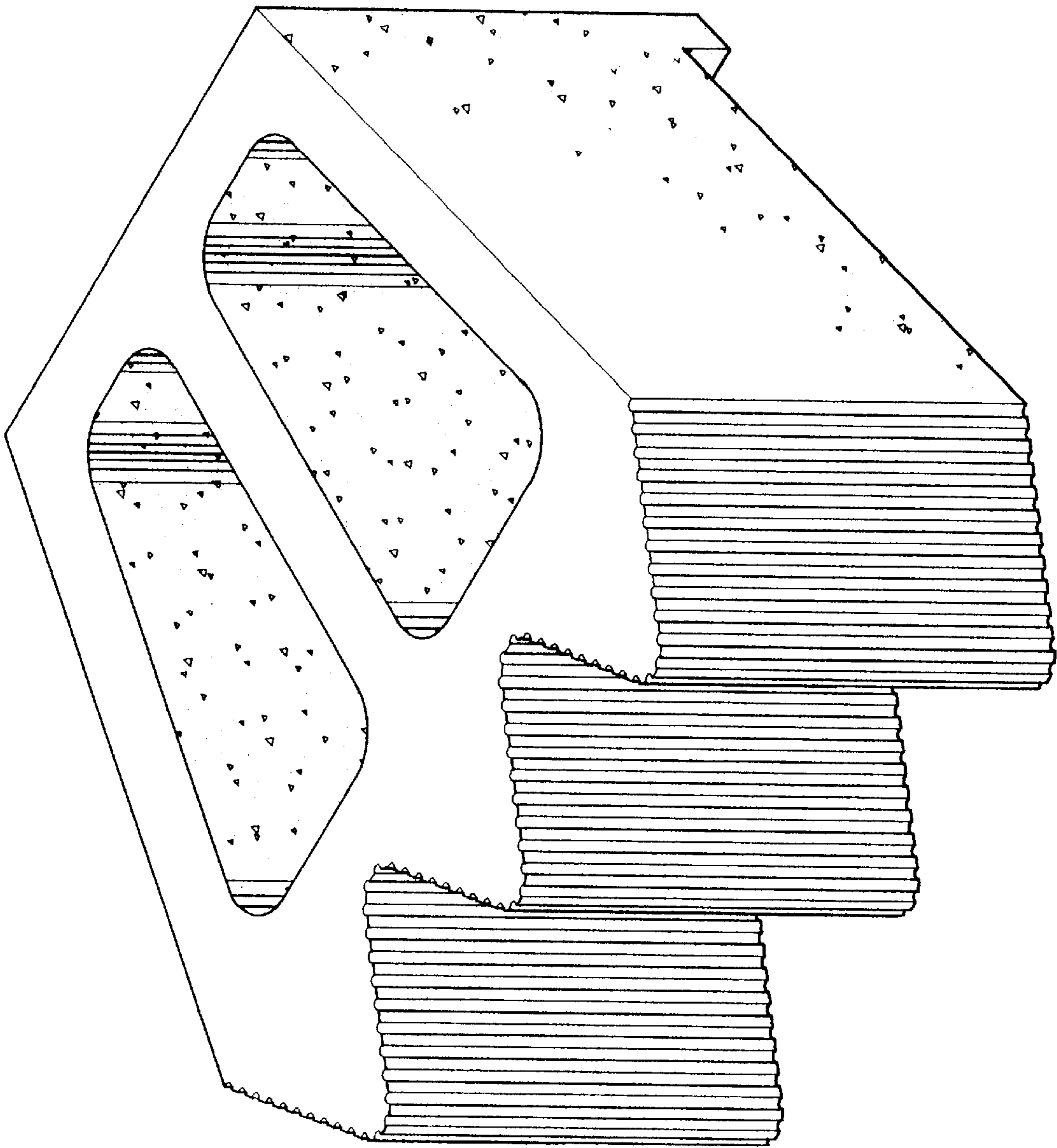


FIG. 1

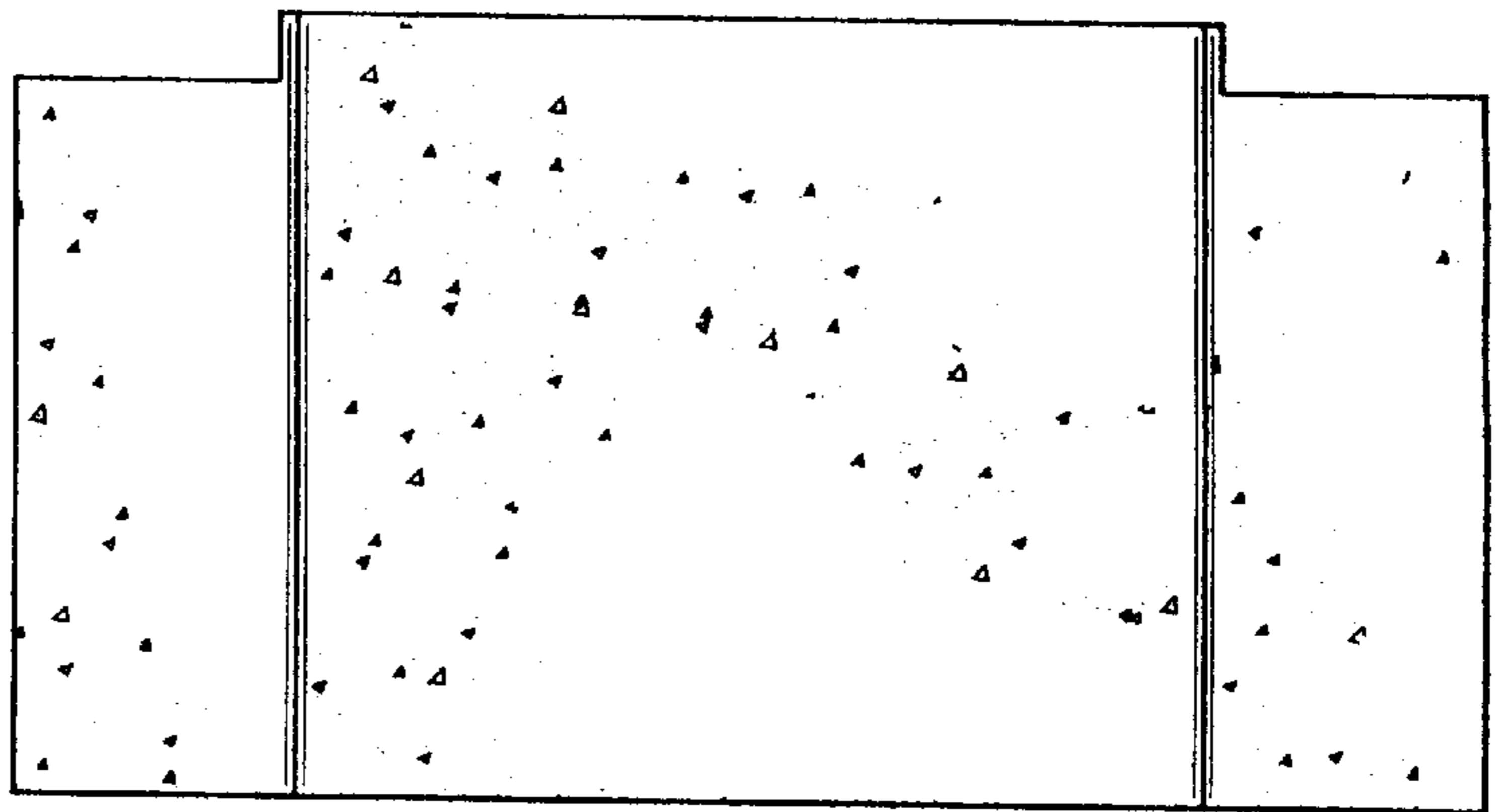


FIG. 5

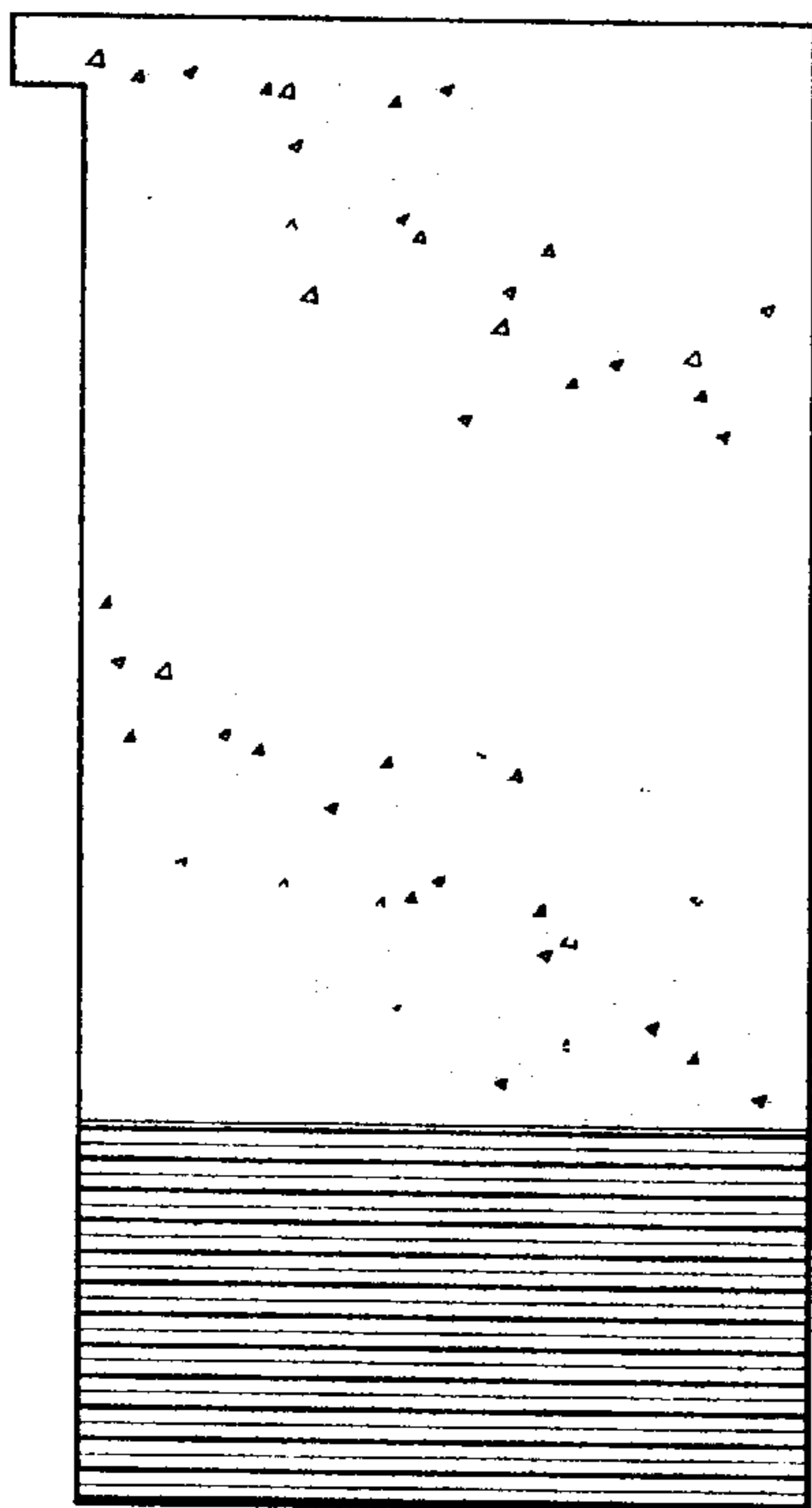


FIG. 3

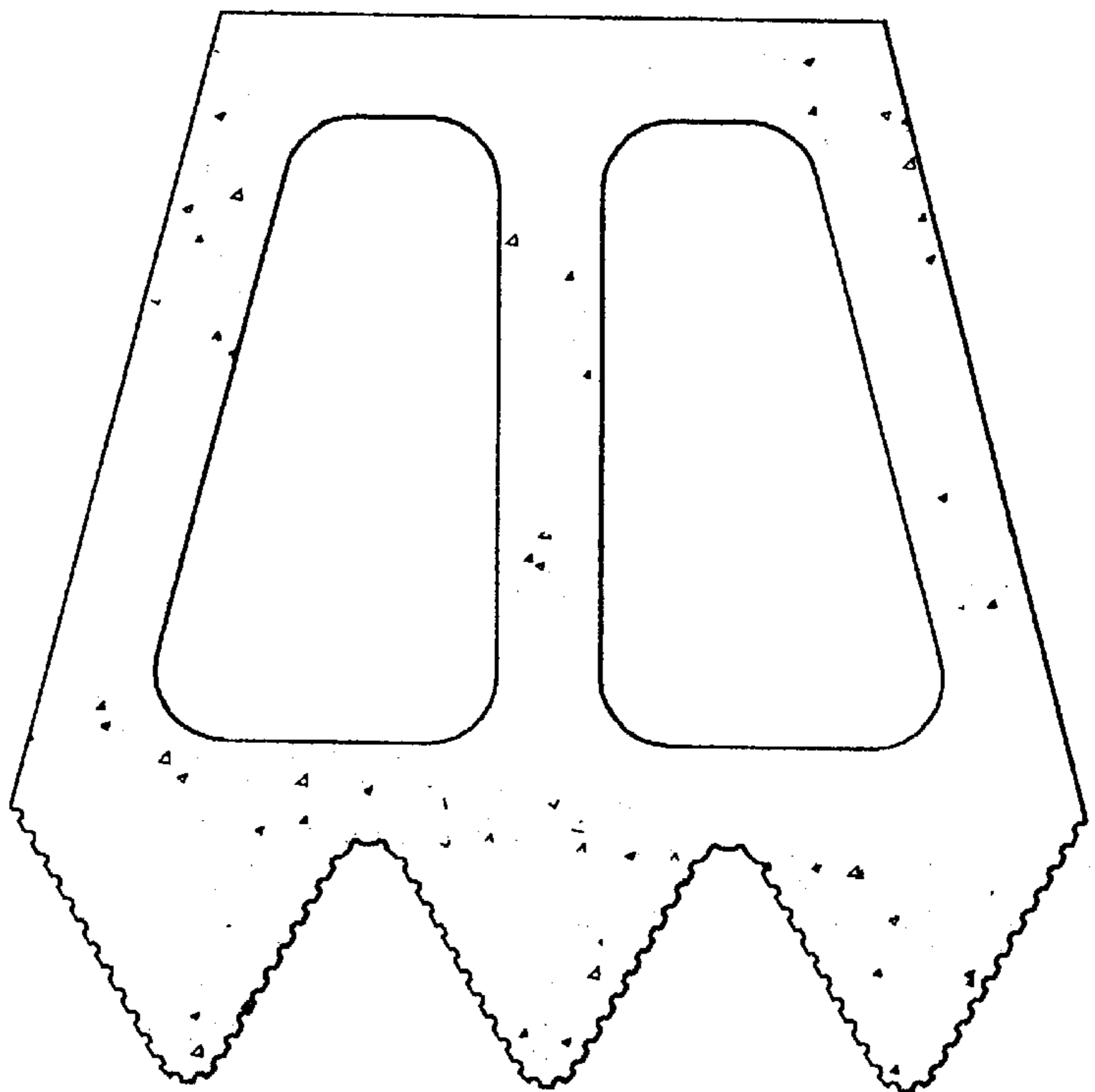


FIG. 2

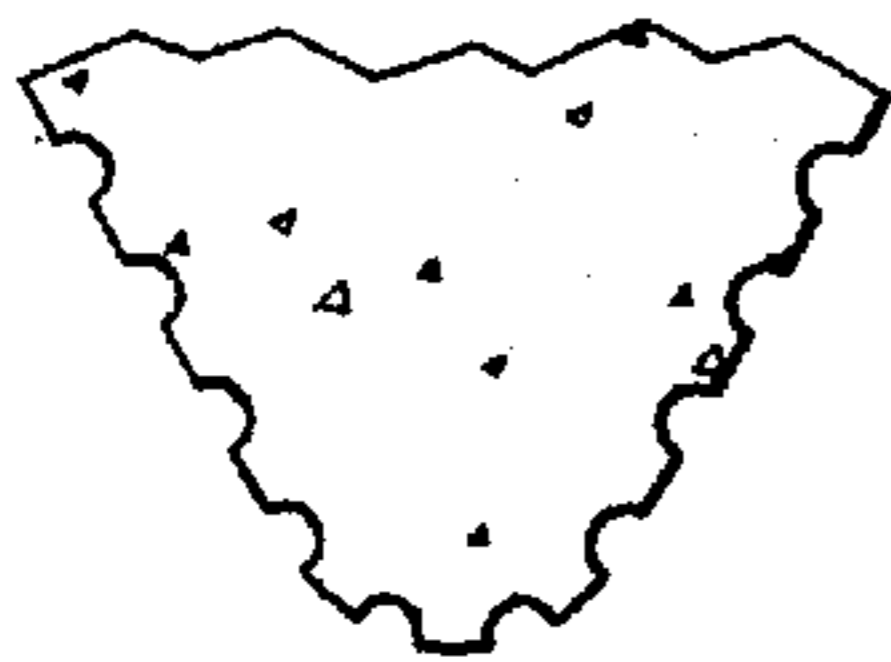


FIG. 6

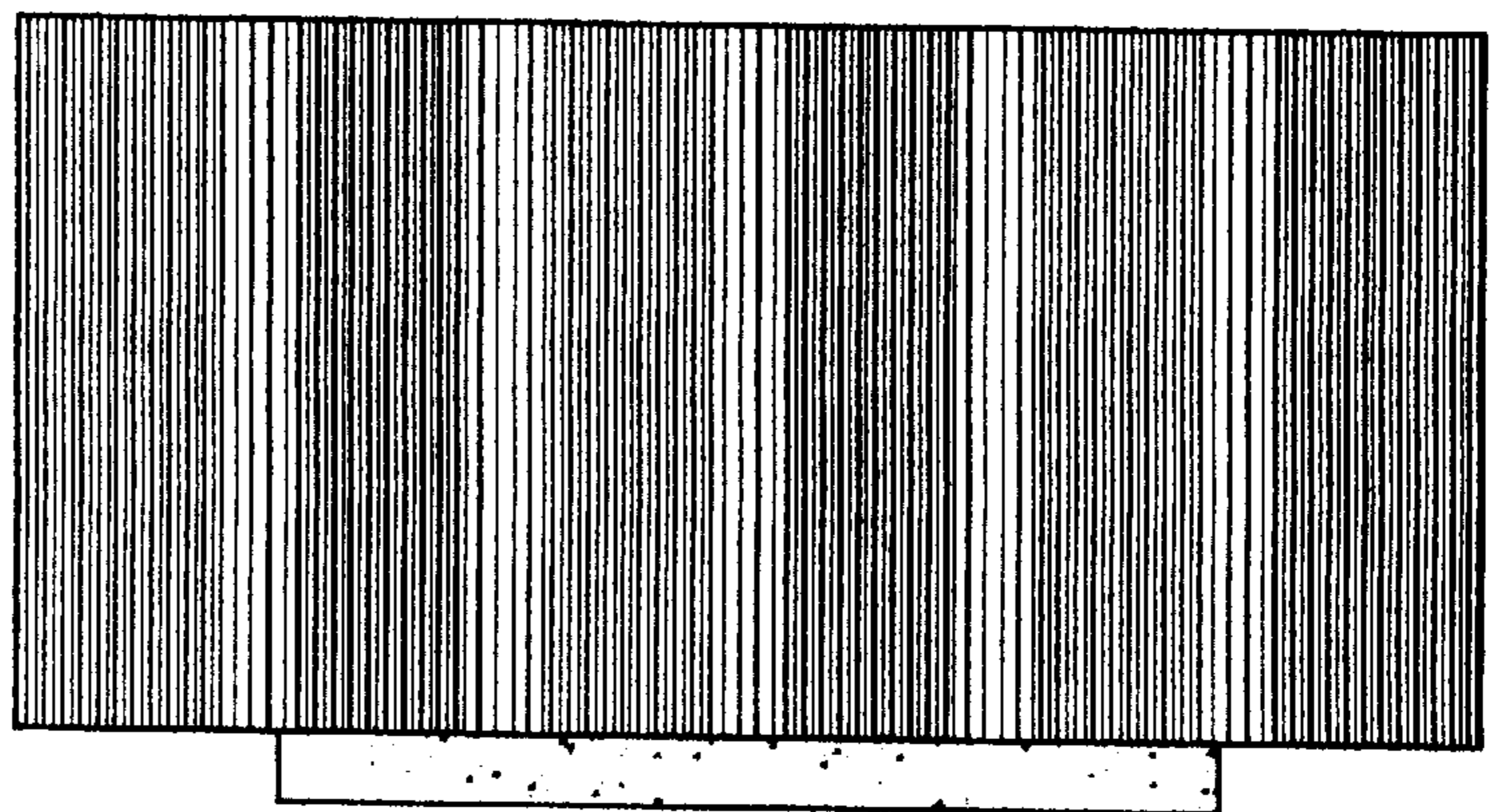


FIG. 4

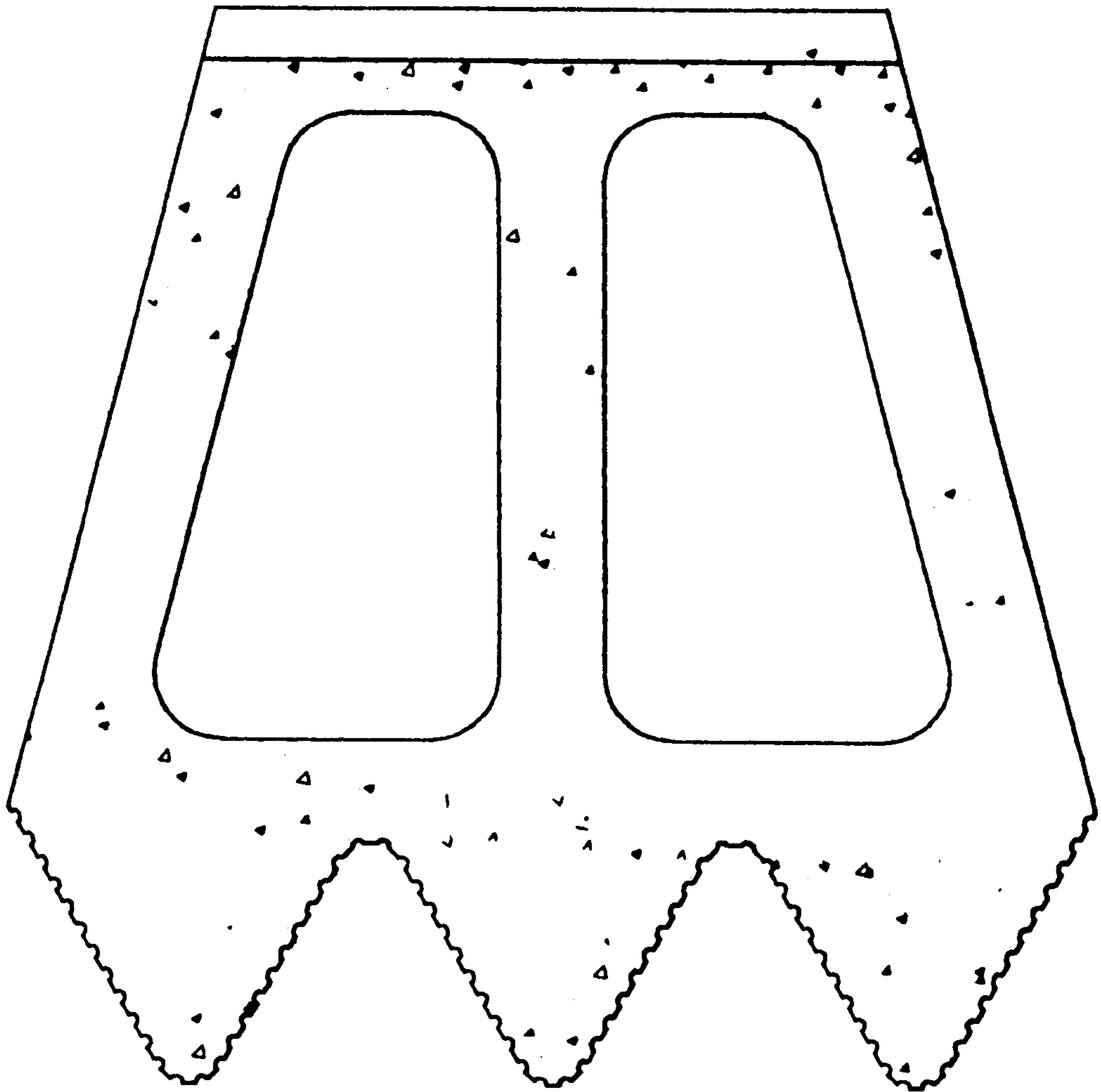


FIG. 7

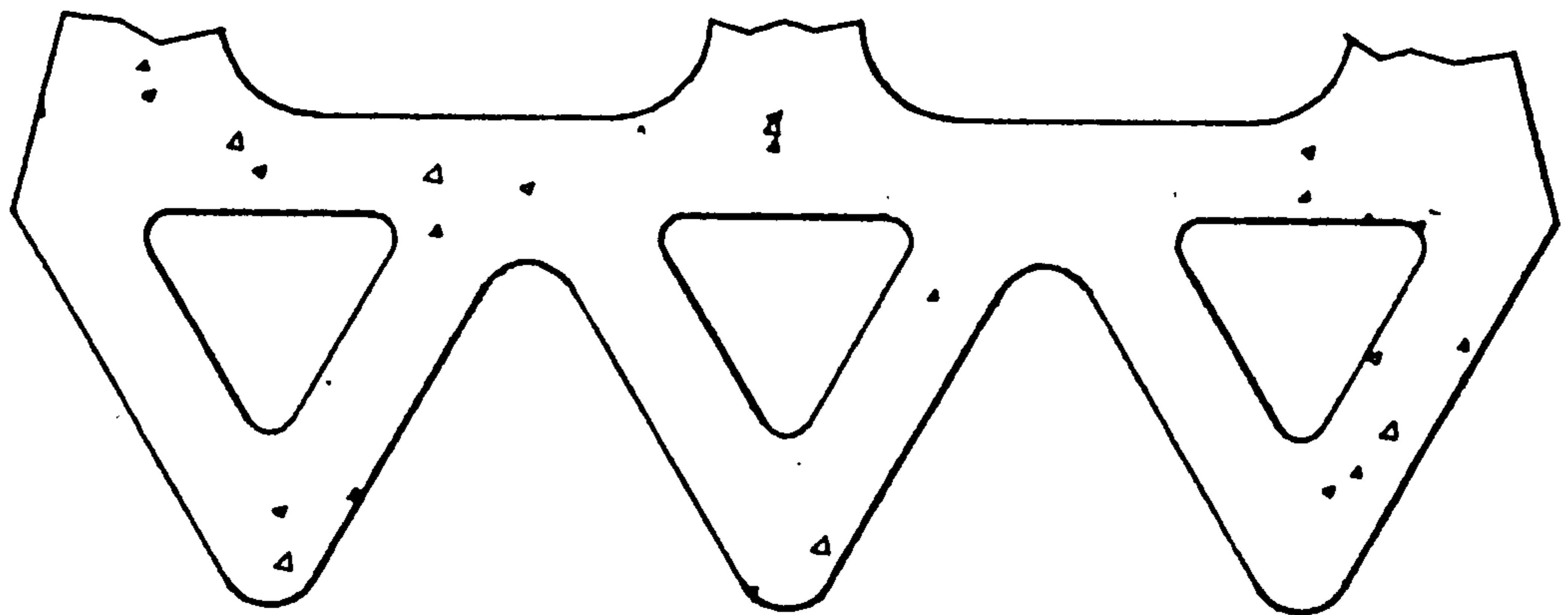


FIG. 8