



US00D417505S

# United States Patent [19]

[11] **Patent Number: Des. 417,505**

**Nuzzo**

[45] **Date of Patent: \*\* Dec. 7, 1999**

[54] **COMBINED BABY BOTTLE AND CAP**

5,180,071 1/1993 Crosson ..... 215/11.1  
5,211,299 5/1993 Manfredonia ..... 215/11.1

[76] Inventor: **Daniel P Nuzzo**, 198 Davis Ave., Staten Island, N.Y. 10310

*Primary Examiner*—Stella Reid

[\*\*] Term: **14 Years**

[57] **CLAIM**

[21] Appl. No.: **29/094,078**

The ornamental design for a combined baby bottle and cap, as shown.

[22] Filed: **Sep. 25, 1998**

**DESCRIPTION**

[51] **LOC (6) Cl.** ..... **07-01**

[52] **U.S. Cl.** ..... **D24/197**

[58] **Field of Search** ..... D24/197; 215/11.1, 215/11.2, 11.3, 11.4, 11.5, 11.6

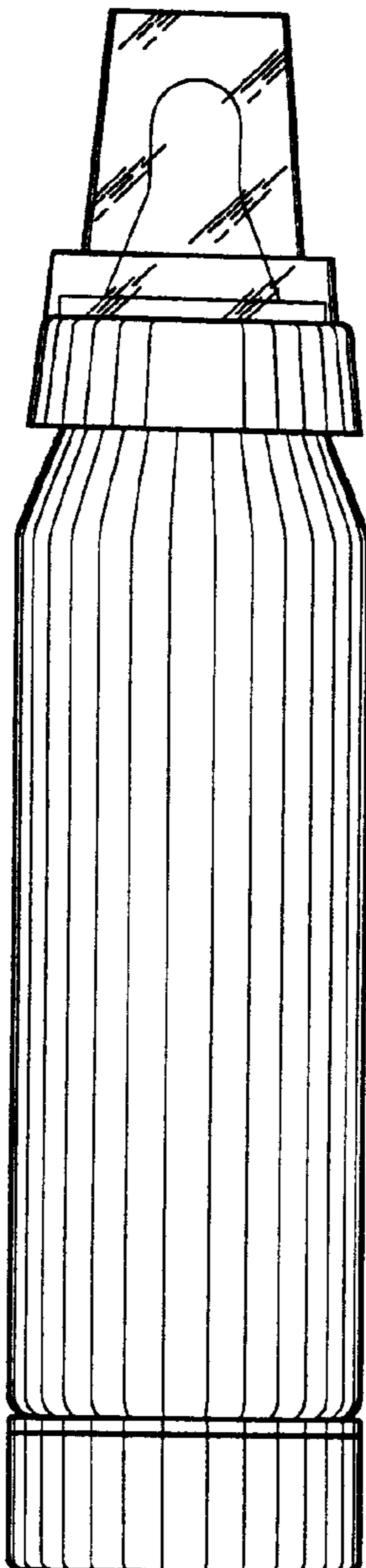
FIG. 1 is a front elevational view of a combined baby bottle and cap of the present invention;  
FIG. 2 is a back elevational view thereof;  
FIG. 3 is a right side elevational view thereof;  
FIG. 4 is a left side elevational view thereof;  
FIG. 5 is a top plan view thereof;  
FIG. 6 is a bottom plan view thereof; and,  
FIG. 7 is a cross sectional view along line 7—7 of FIG. 5 thereof; and,  
FIG. 8 is an assembled front elevational view thereof.

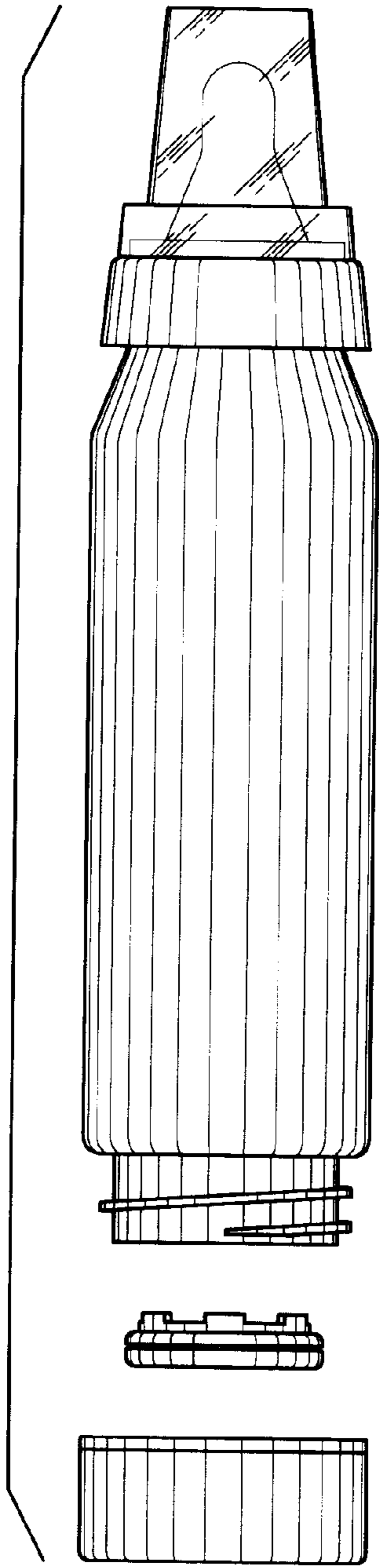
[56] **References Cited**

**U.S. PATENT DOCUMENTS**

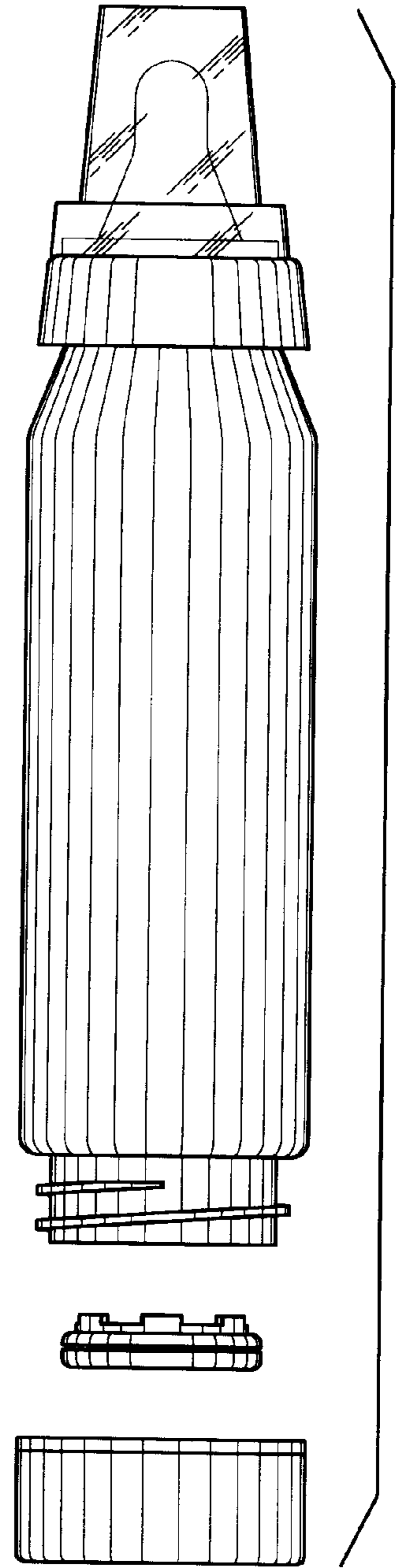
- D. 349,769 8/1994 Green ..... D24/197
- D. 353,204 12/1994 Neff et al. .... D24/197
- D. 366,936 2/1996 Young ..... D24/197
- 4,759,139 7/1988 Ricks ..... 215/11.1 X

**1 Claim, 5 Drawing Sheets**

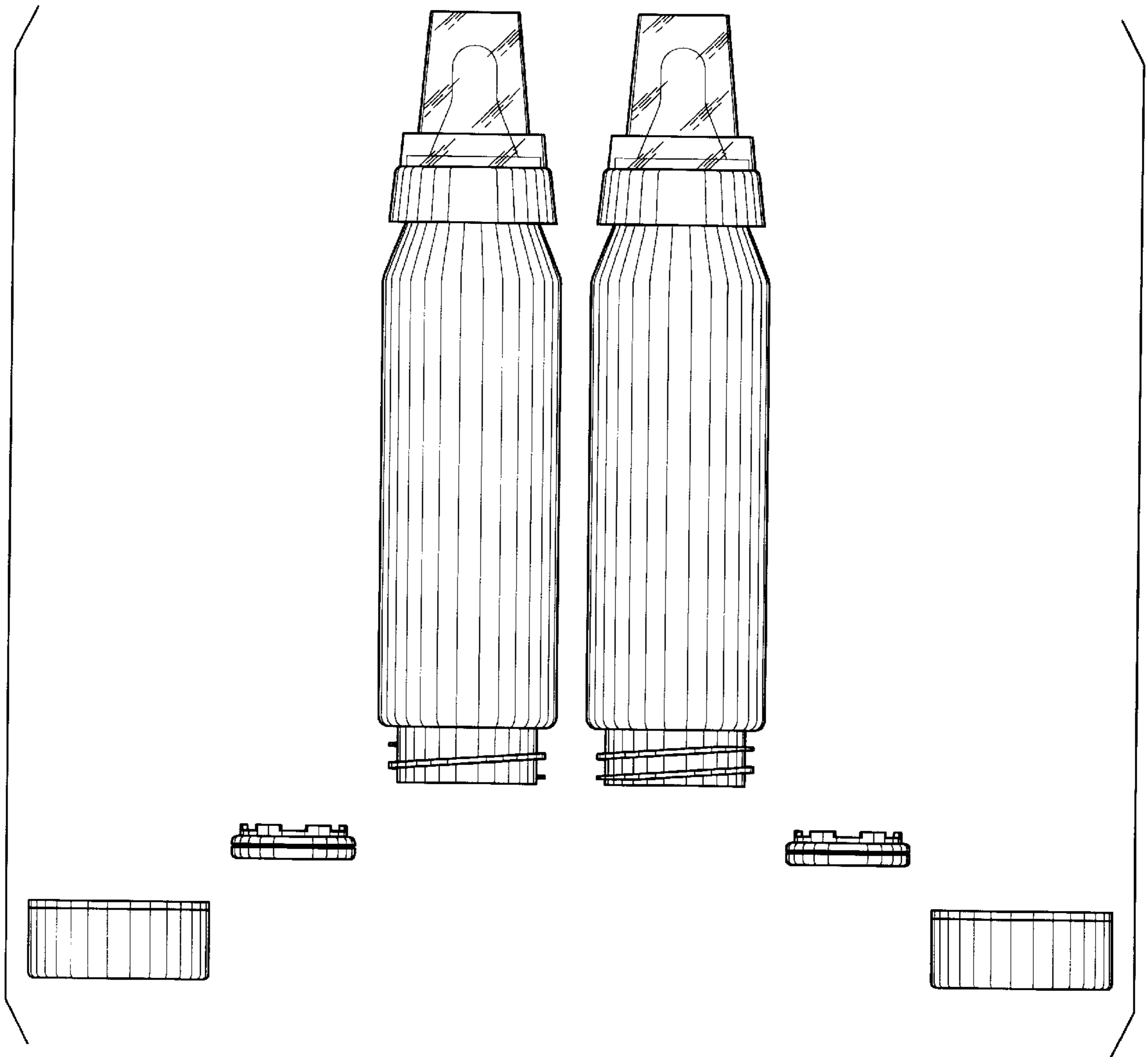




*Fig. 1*

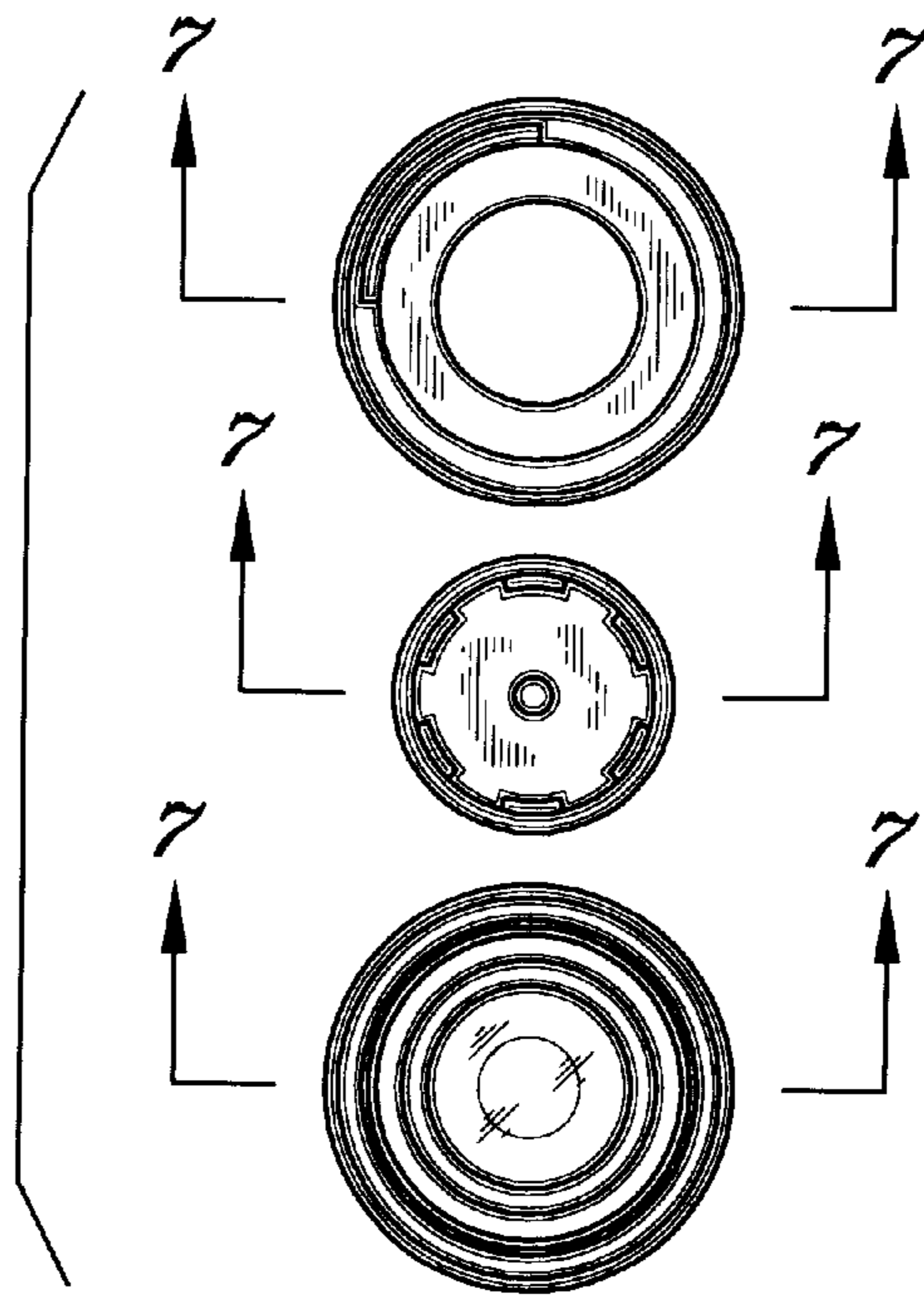


*Fig. 2*

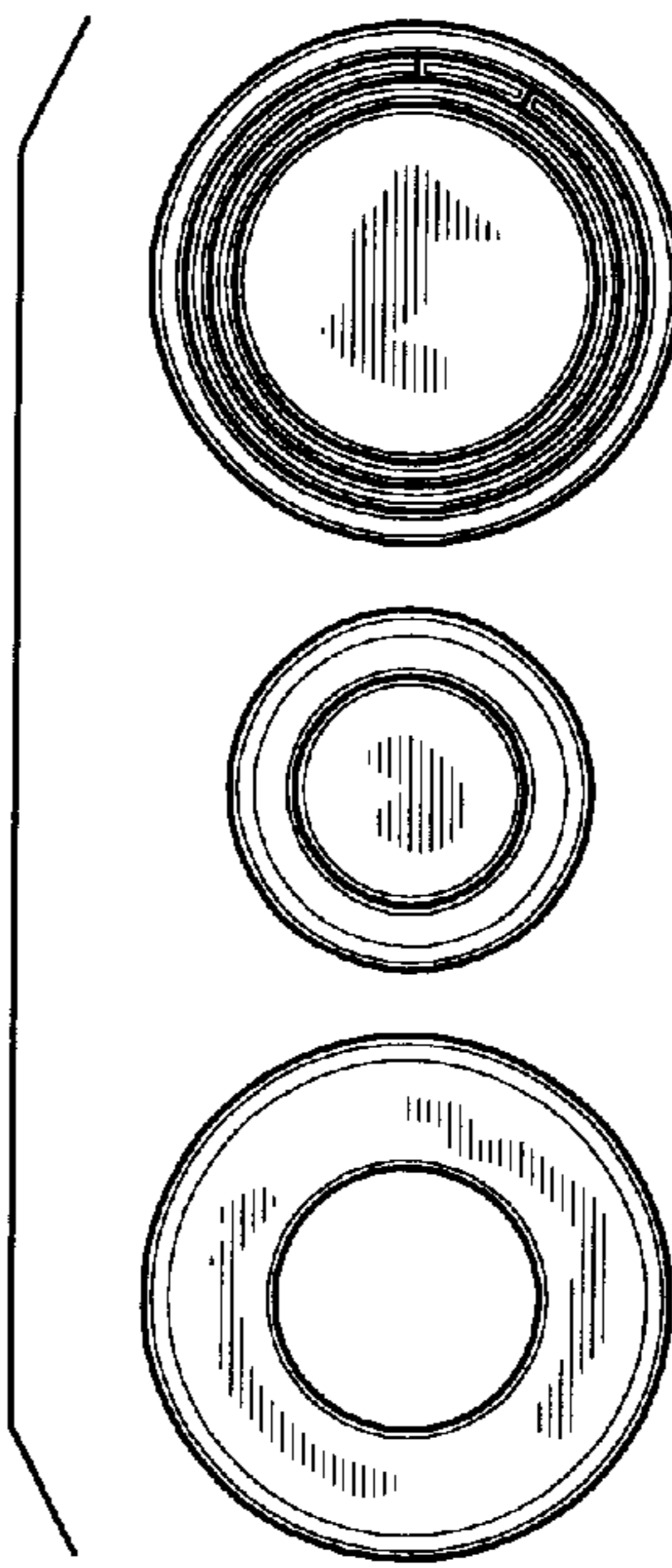


*Fig. 3*

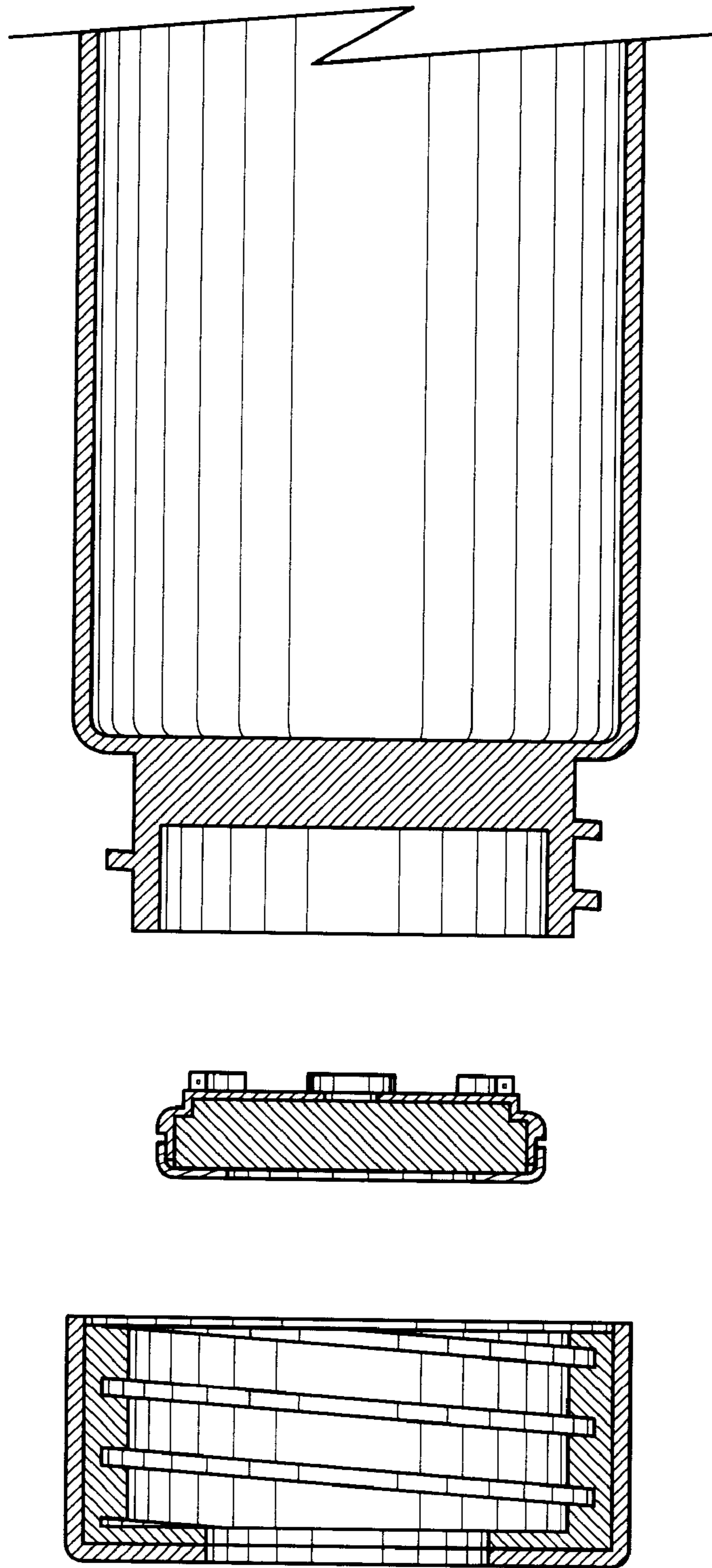
*Fig. 4*



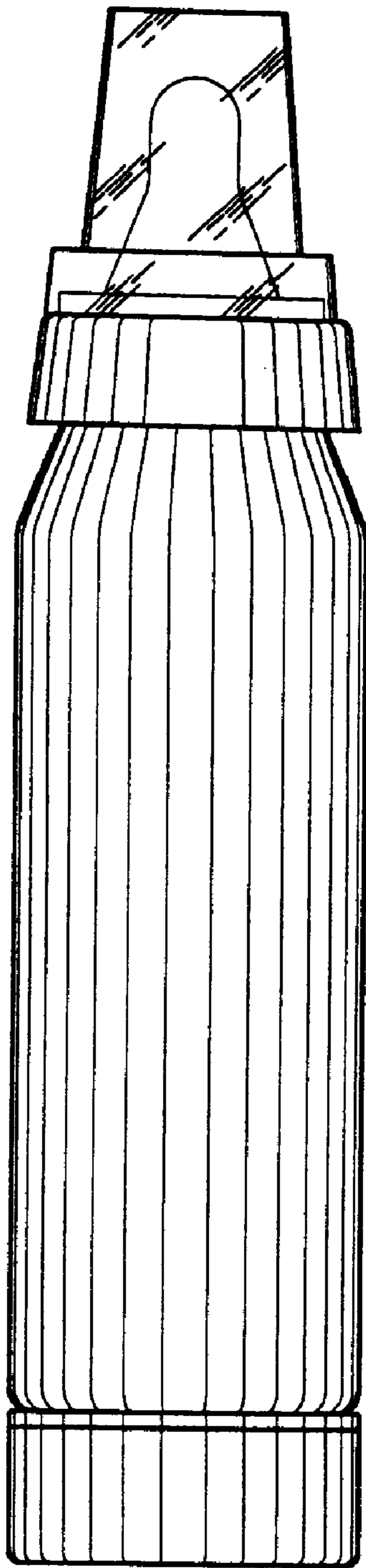
*Fig. 5*



*Fig. 6*



*Fig. 7*



*Fig. 8*