



US00D417503S

United States Patent [19] Spoljaric

[11] **Patent Number: Des. 417,503**

[45] **Date of Patent: ** Dec. 7, 1999**

[54] **X-RAY UNIT**

[75] Inventor: **Davor Spoljaric**, Helsinki, Finland

[73] Assignee: **Orion Corporation of Orionintie 1**, Espoo, Finland

[**] Term: **14 Years**

[21] Appl. No.: **29/085,364**

[22] Filed: **Mar. 20, 1998**

[51] **LOC (6) Cl. 24-01**

[52] **U.S. Cl. D24/158**

[58] **Field of Search D24/158; 378/40, 378/38, 168, 197**

[56] **References Cited**

U.S. PATENT DOCUMENTS

D. 272,385 1/1984 Nakano et al. D24/158

D. 323,892 2/1992 Spoljaric D24/158
4,329,587 5/1982 Nieminen 378/40
5,642,392 6/1997 Nakano et al. 378/38

Primary Examiner—Stella Reid
Attorney, Agent, or Firm—Klauber & Jackson

[57] **CLAIM**

The ornamental design for a X-ray unit, as shown.

DESCRIPTION

FIG. 1 is a left front elevational perspective view of the X-ray unit of my new design;
FIG. 2 is a front view thereof;
FIG. 3 is a rear view thereof;
FIG. 4 is a top view thereof;
FIG. 5 is a bottom view thereof;
FIG. 6 is a left side view thereof; and,
FIG. 7 is a right side view thereof.

1 Claim, 7 Drawing Sheets

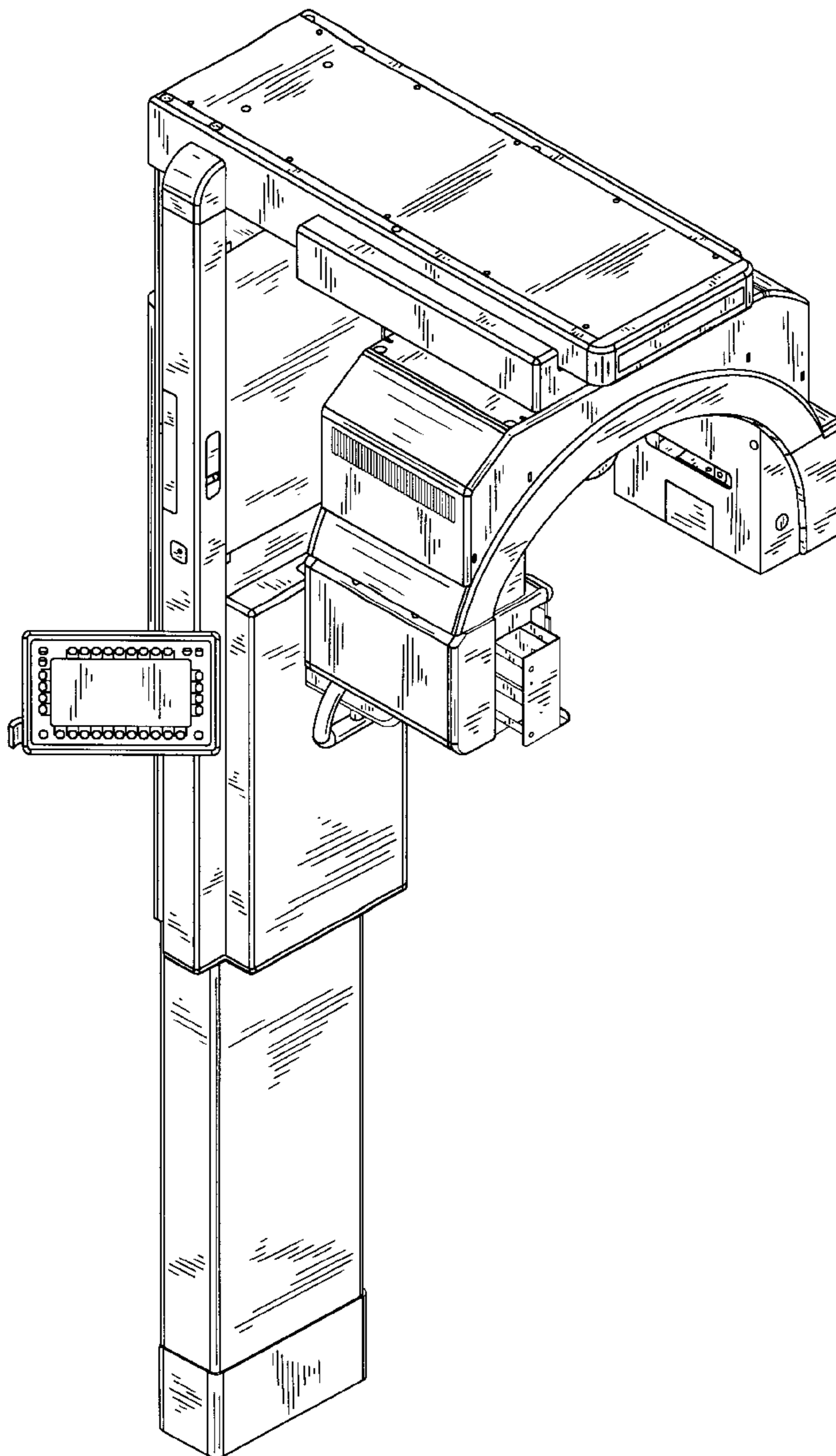


FIG. 1

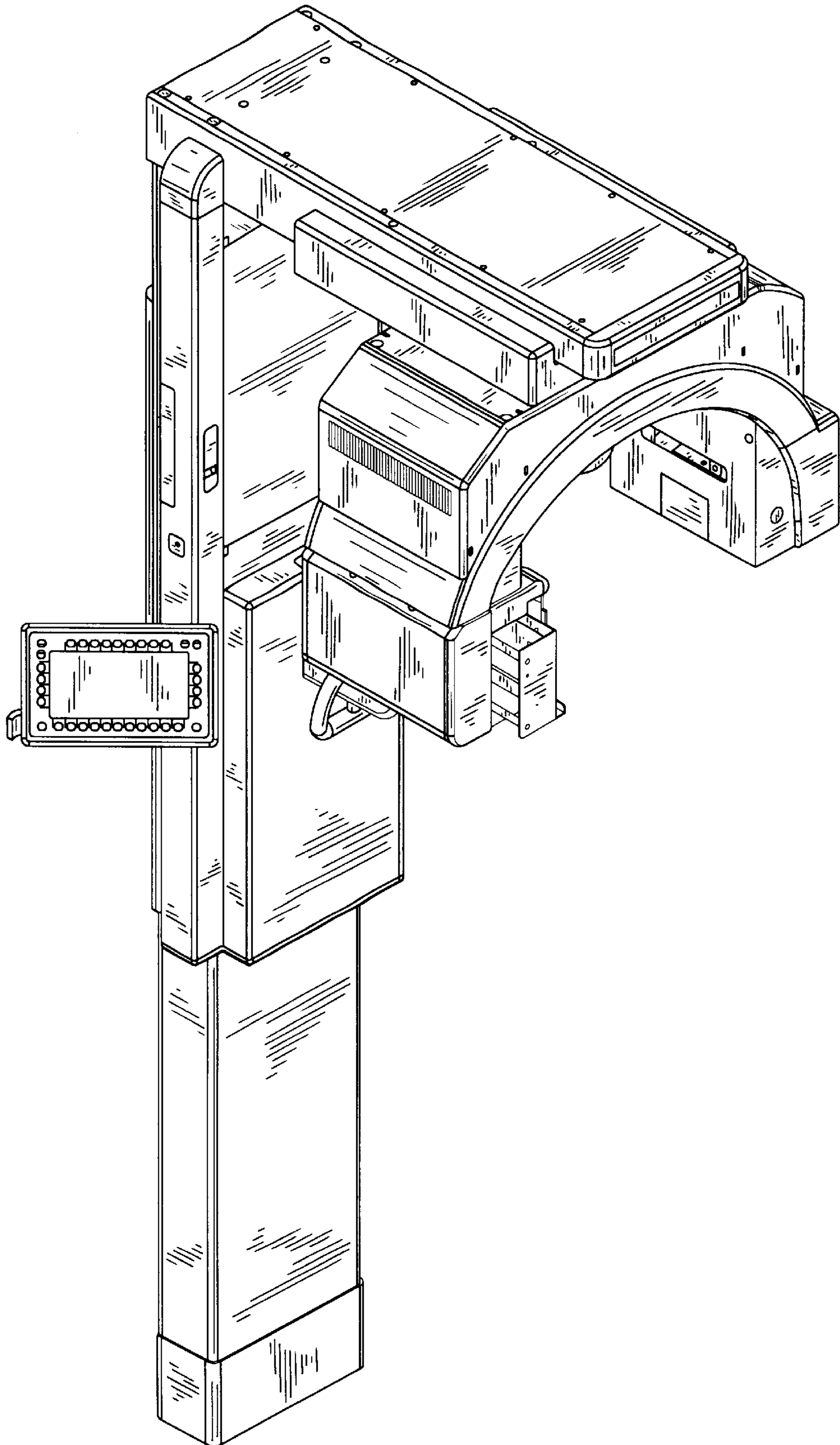


FIG. 2

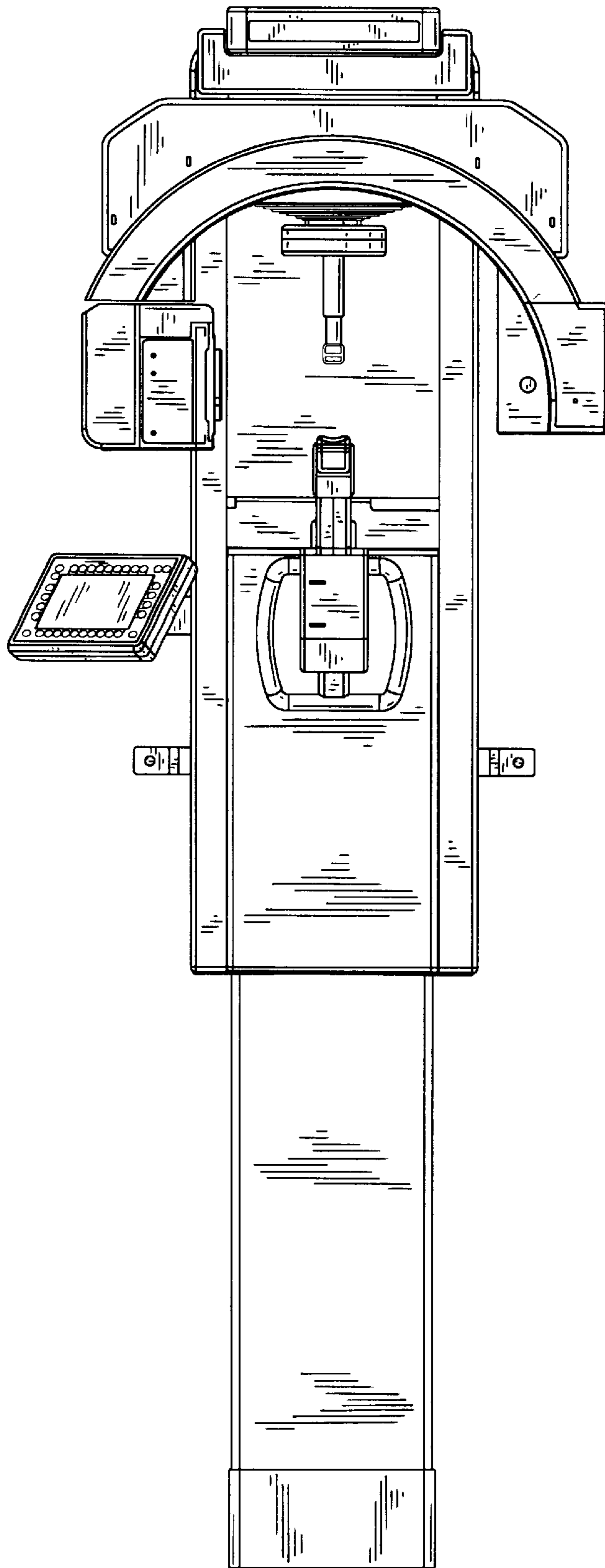


FIG. 3

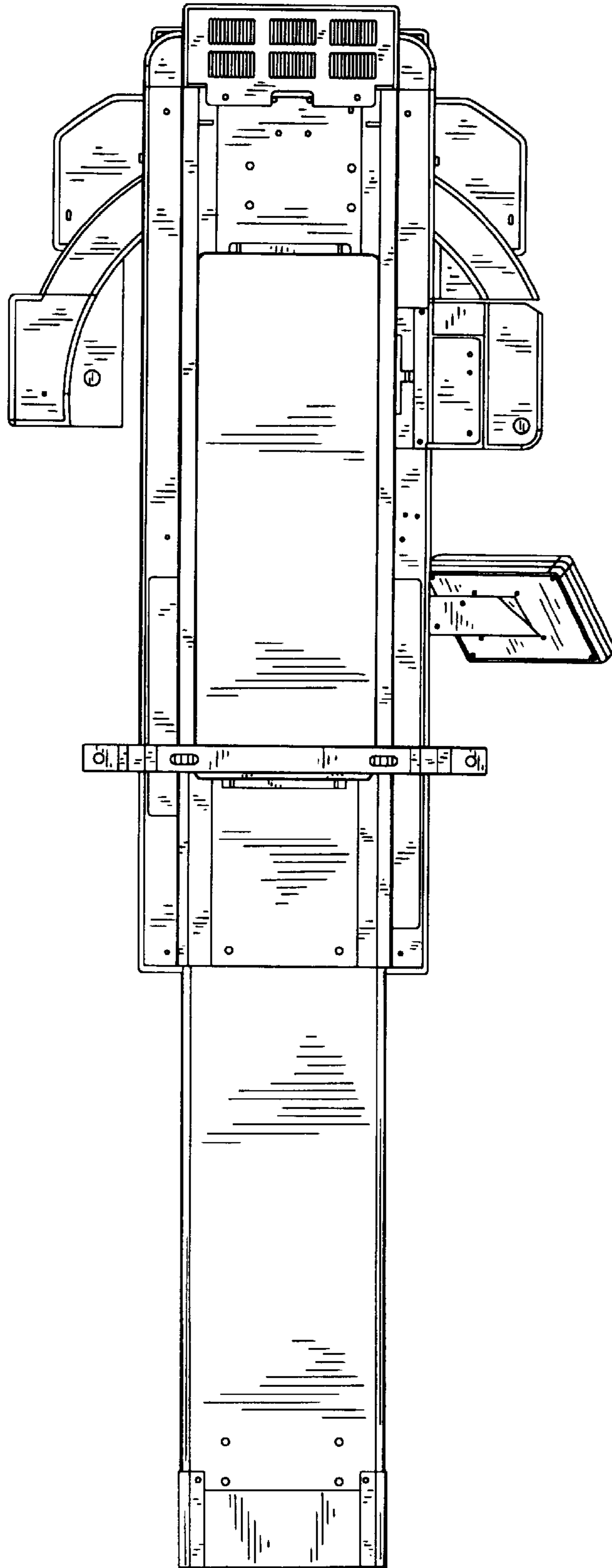


FIG. 4

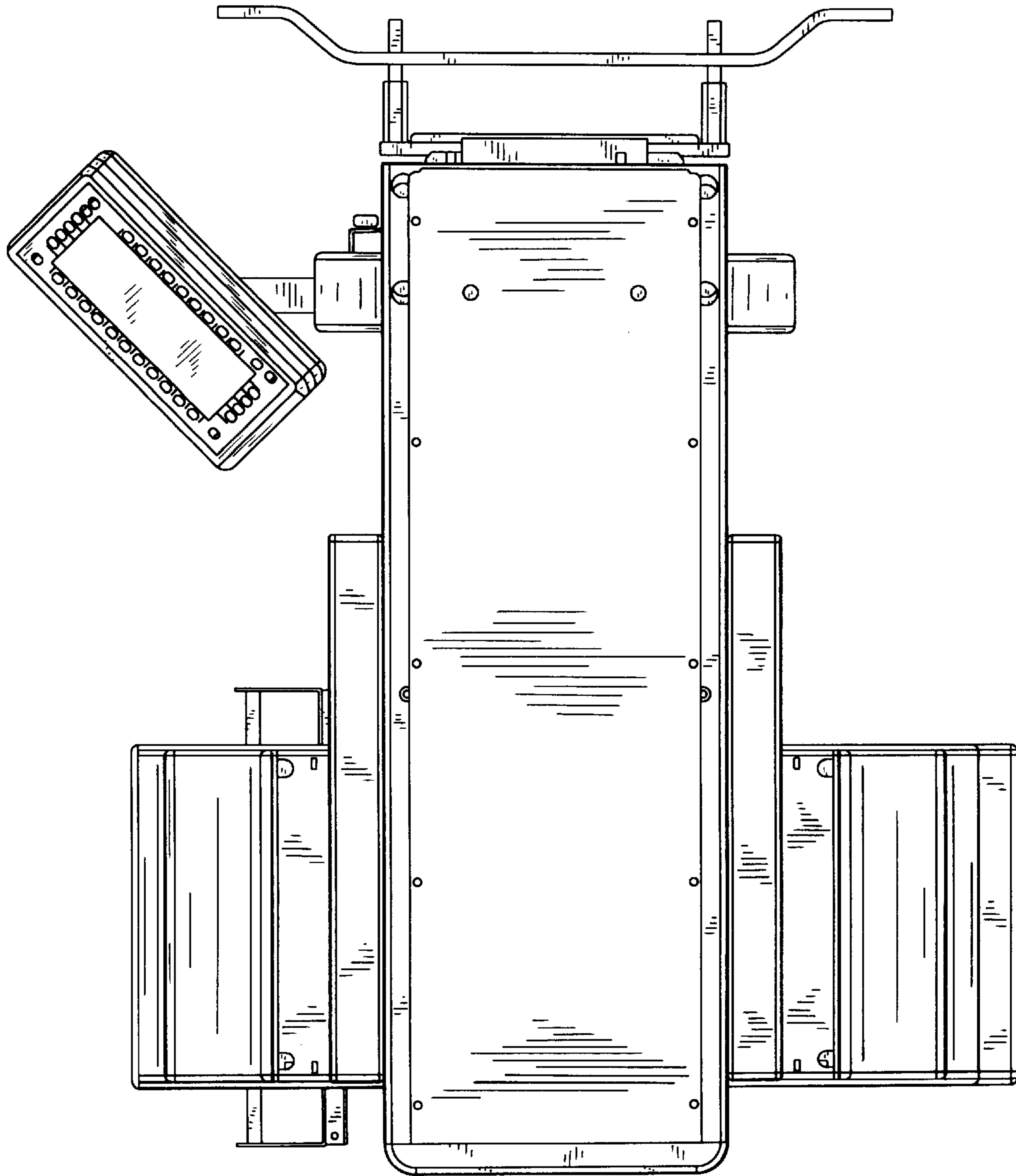


FIG. 5

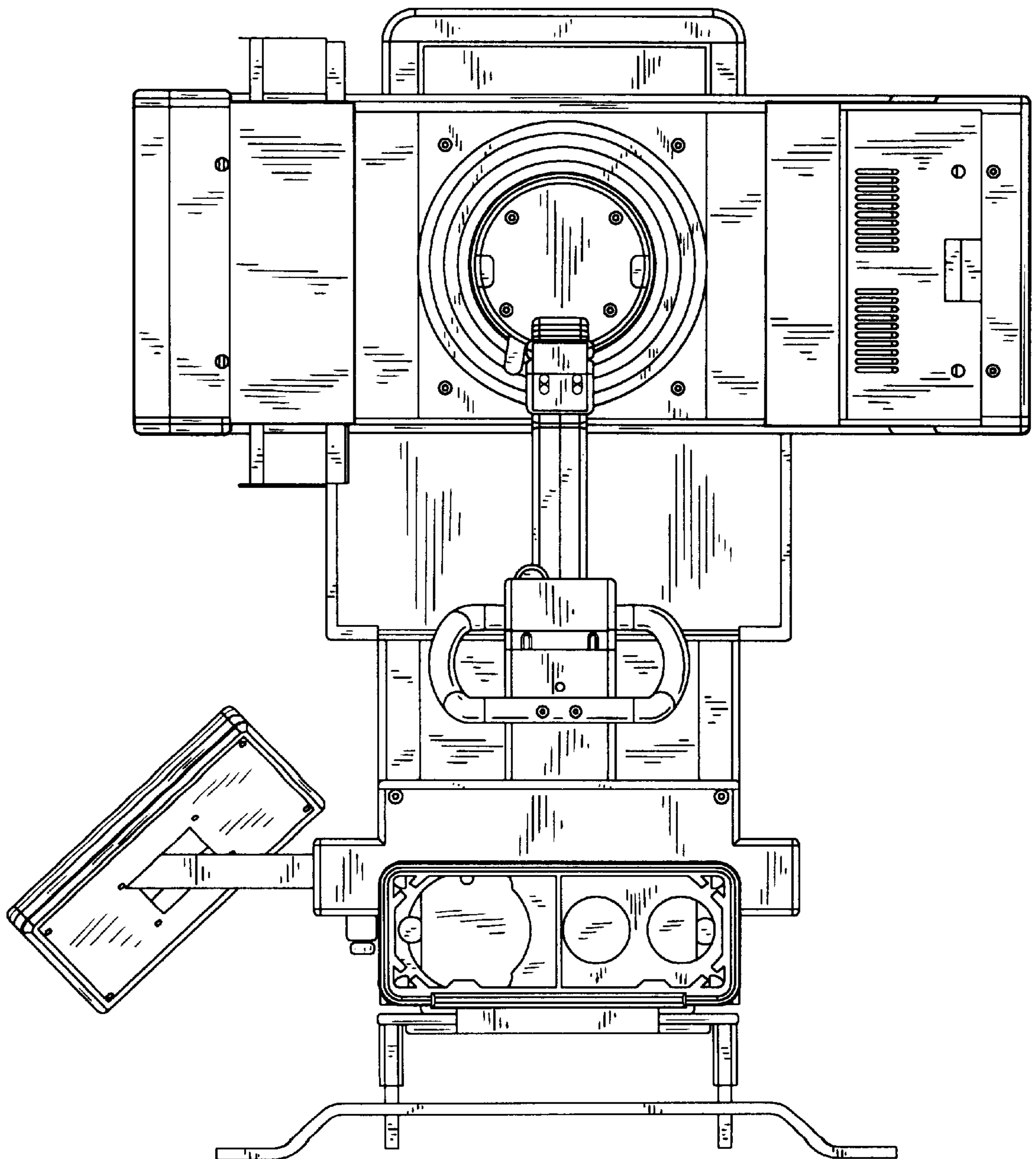


FIG. 6

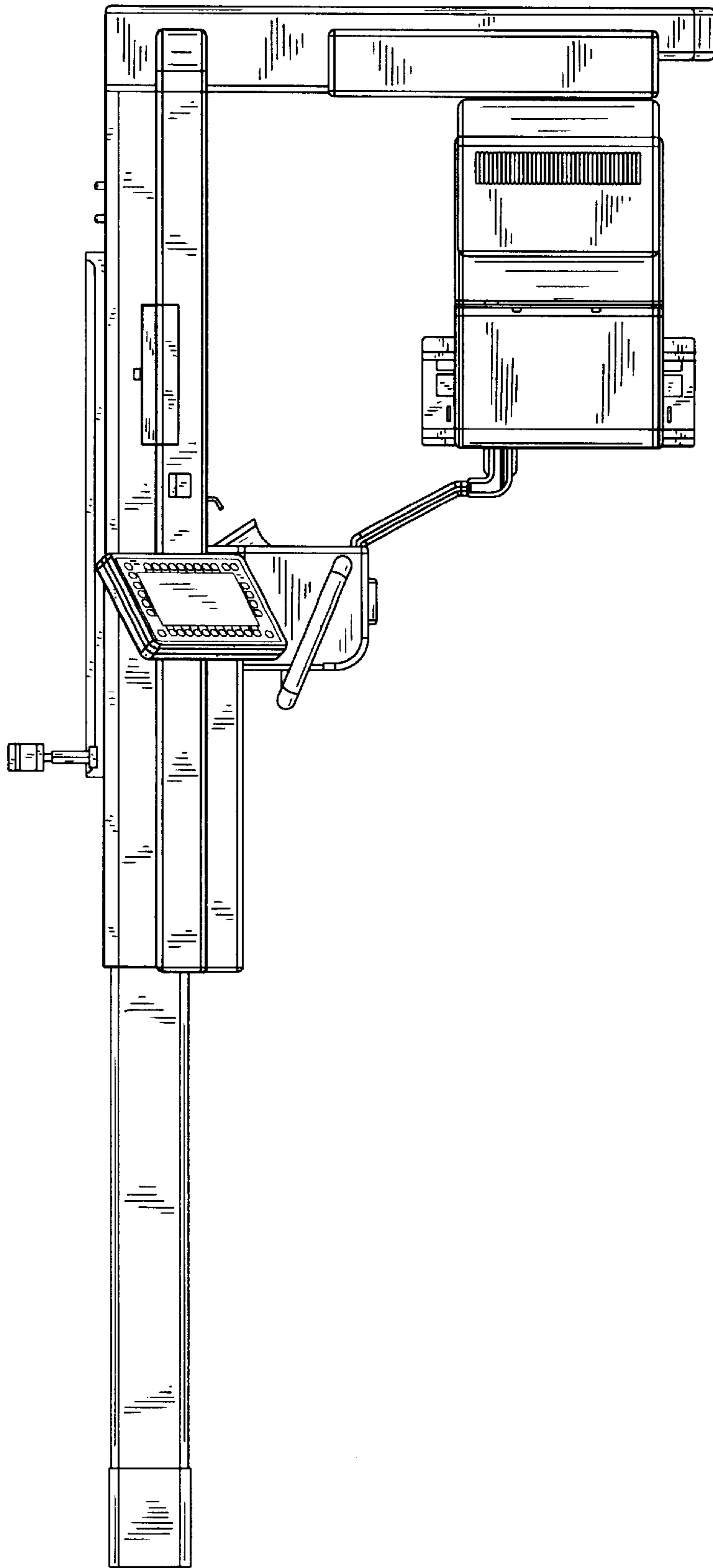


FIG. 7

