



US00D417501S

United States Patent [19] Newman

[11] **Patent Number: Des. 417,501**
[45] **Date of Patent: ** Dec. 7, 1999**

[54] **FAN SHAPED BURNER**
[75] Inventor: **James F. Newman**, Harrisonburg, Va.
[73] Assignee: **Shenandoah Manufacturing Co., Inc.**,
Harrisonburg, Va.
[**] Term: **14 Years**
[21] Appl. No.: **29/096,252**
[22] Filed: **Nov. 9, 1998**
[51] **LOC (6) Cl.** **23-99**
[52] **U.S. Cl.** **D23/415**
[58] **Field of Search** D23/415; 126/40,
126/39 E, 39 J, 41 R; 239/565, 553, 555;
431/127-152, 198, 200, 328, 346, 202,
352

3,837,789 9/1974 Schindler et al. .
5,649,820 7/1997 Keller et al. 431/202

FOREIGN PATENT DOCUMENTS

2 363 611 7/1974 Germany .
33 33 054-A1 3/1985 Germany .
56-66641 6/1981 Japan .
58-72809 4/1983 Japan .
59-52116 3/1984 Japan .
1-54106 3/1989 Japan .
6-193832 7/1994 Japan .
60-50302 3/1995 Japan .
1213057 11/1970 United Kingdom .

Primary Examiner—Mitchell Siegel
Attorney, Agent, or Firm—Nixon & Vanderhye P.C.

[57] CLAIM

The ornamental design for a “fan shaped burner,” as shown and described.

DESCRIPTION

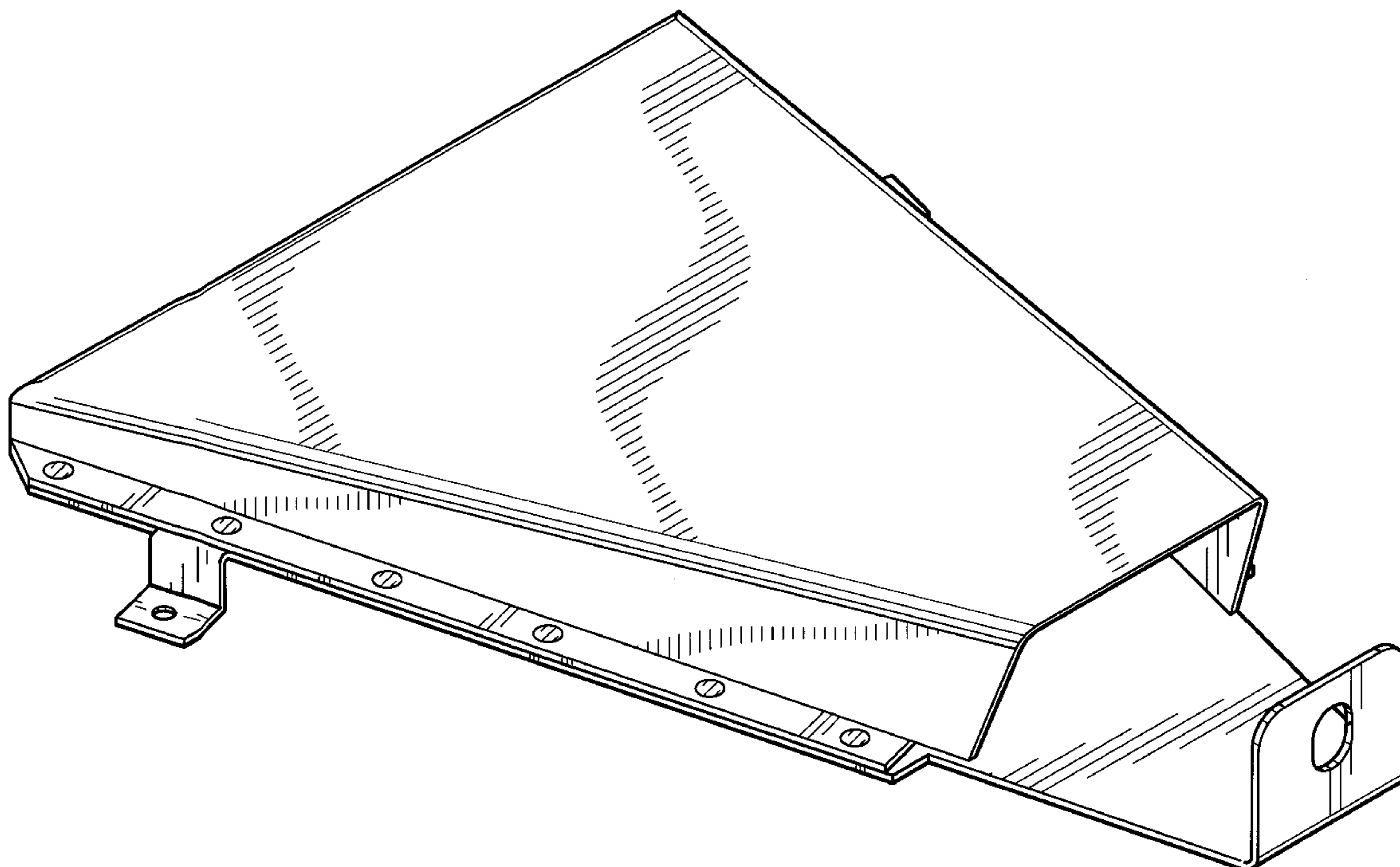
FIG. 1 is a perspective view of the fan shaped burner of the subject invention;
FIG. 2 is a top plan view thereof;
FIG. 3 is a side view thereof, the opposite side being a mirror image;
FIG. 4 is a front view thereof;
FIG. 5 is a rear view thereof; and,
FIG. 6 is a bottom view thereof.

1 Claim, 4 Drawing Sheets

[56] References Cited

U.S. PATENT DOCUMENTS

Re. 23,721 10/1953 Brown .
1,267,041 5/1918 Anspach .
1,537,335 5/1925 Cross .
1,844,187 2/1932 Smith .
2,775,294 12/1956 Schwank 431/328
2,840,150 6/1958 Jackson et al. 239/487
2,985,233 5/1961 Stellmach .
3,416,733 12/1968 Leighton .
3,434,791 3/1969 Hayashi et al. .
3,441,359 4/1969 Keith et al. .



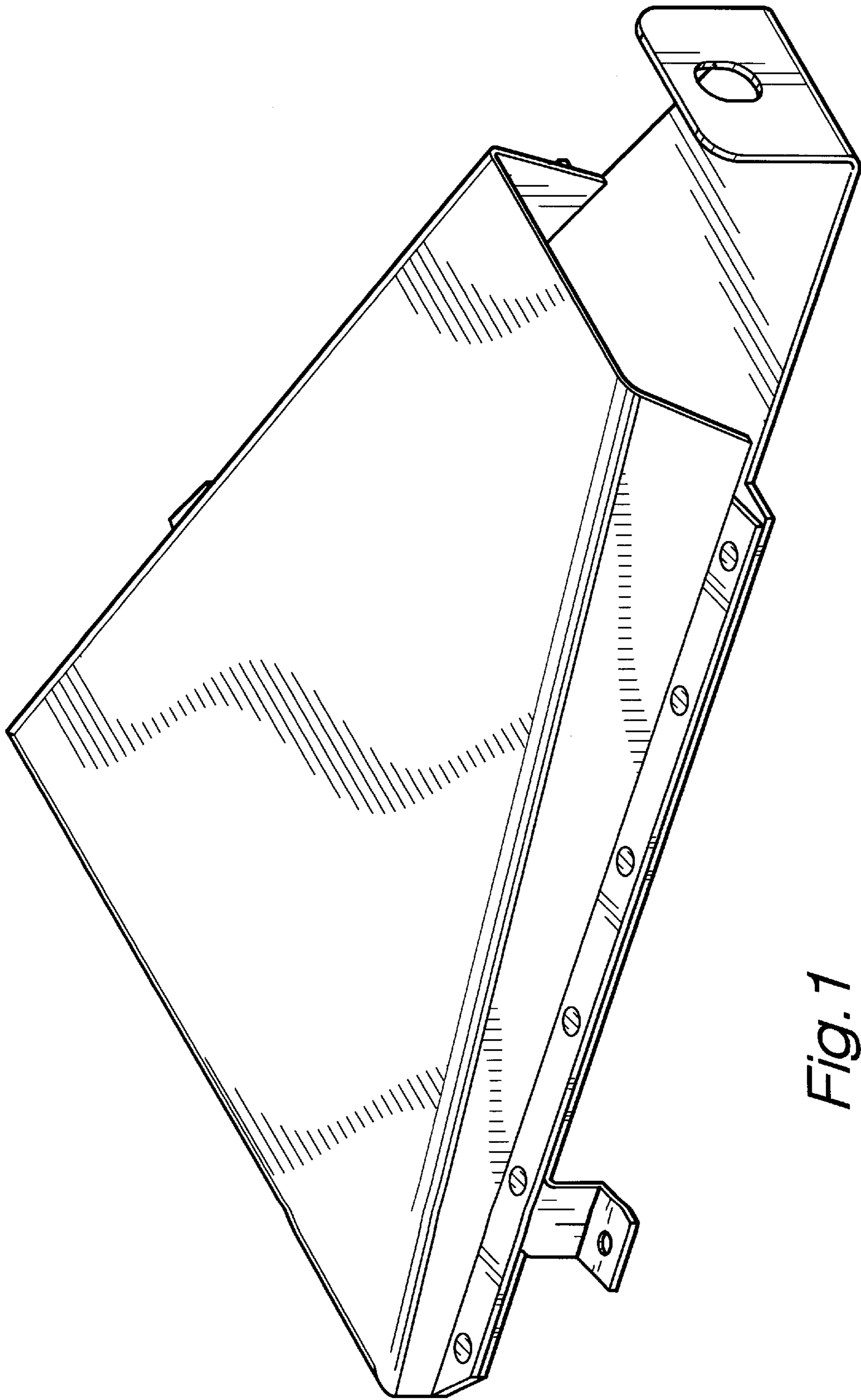


Fig. 1

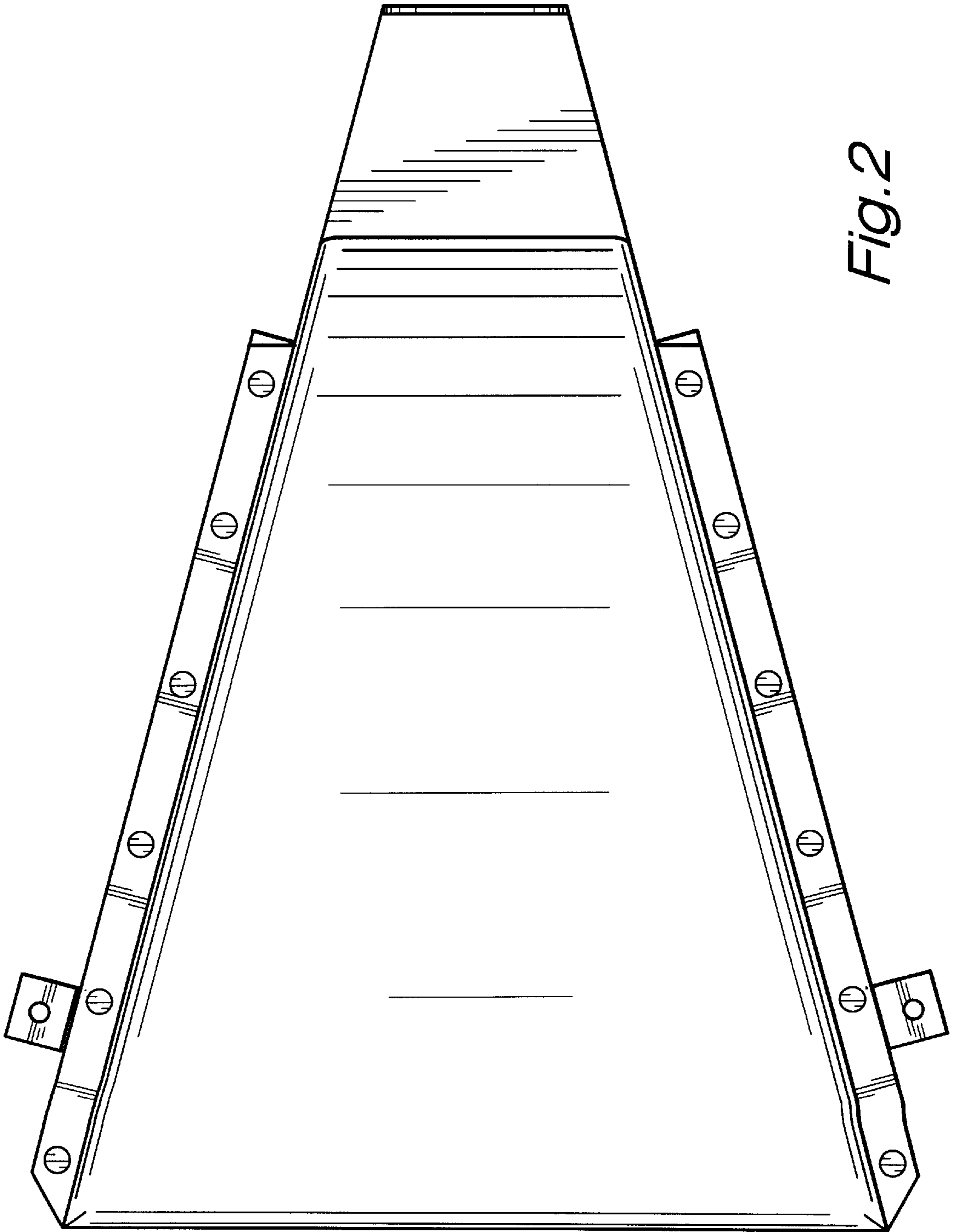


Fig. 2

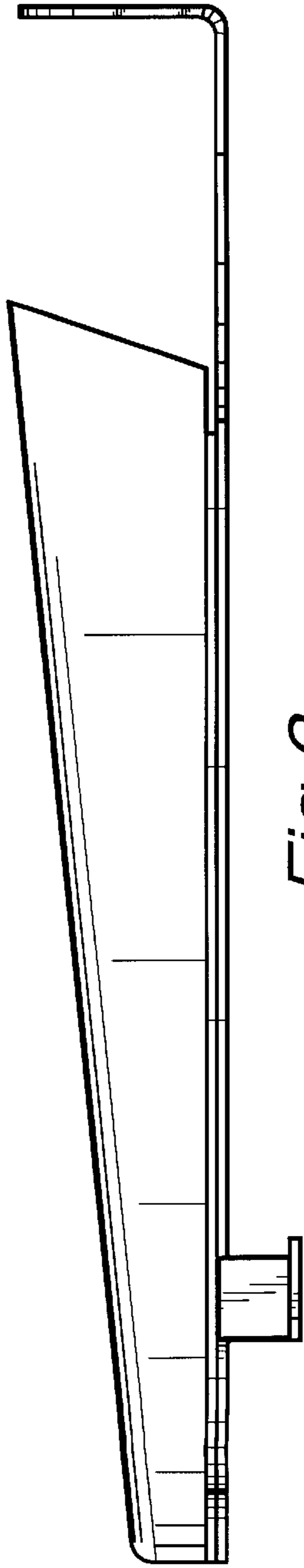


Fig. 3

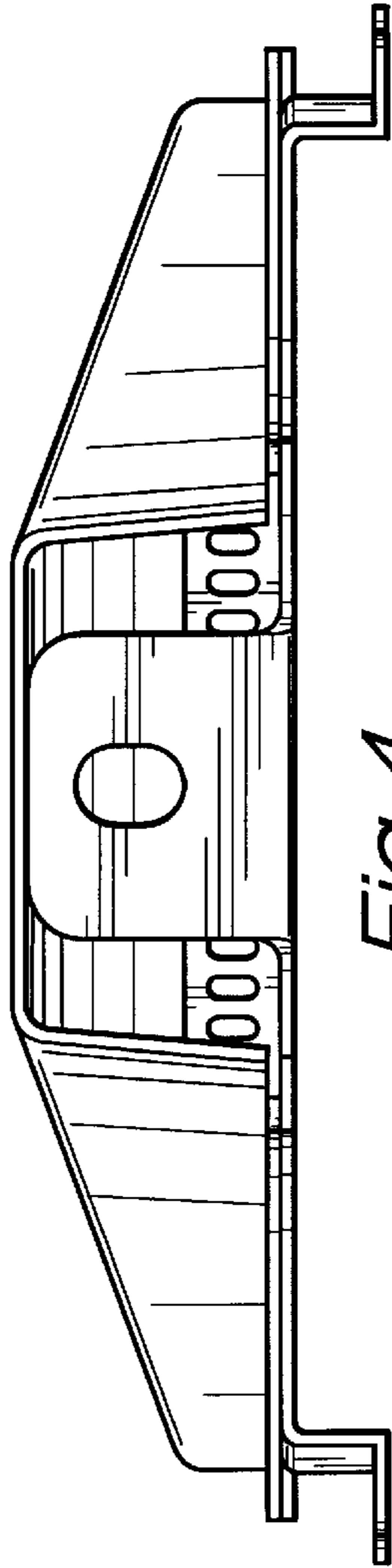


Fig. 4

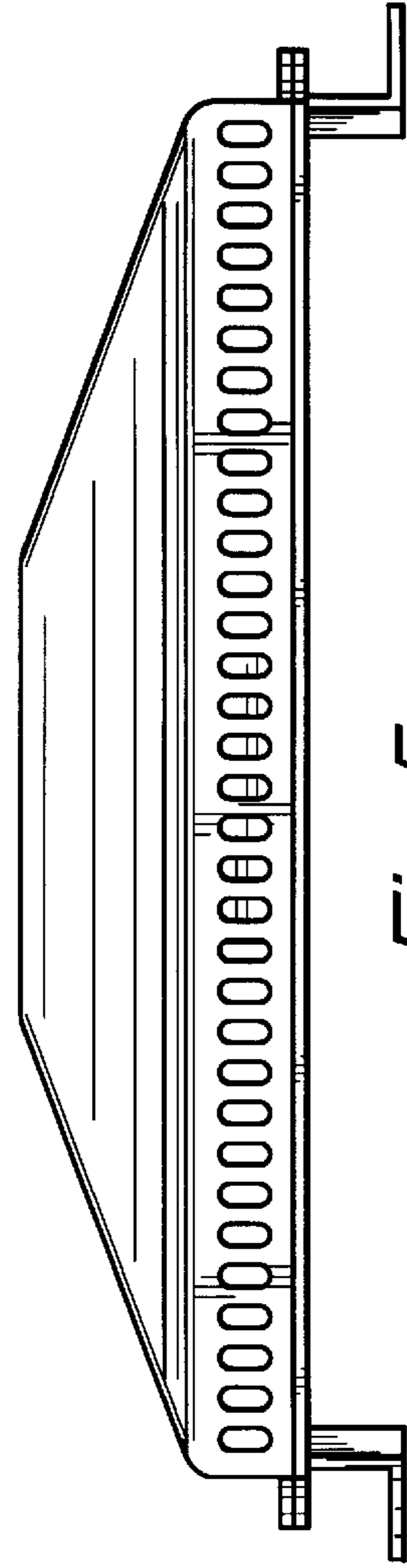


Fig. 5

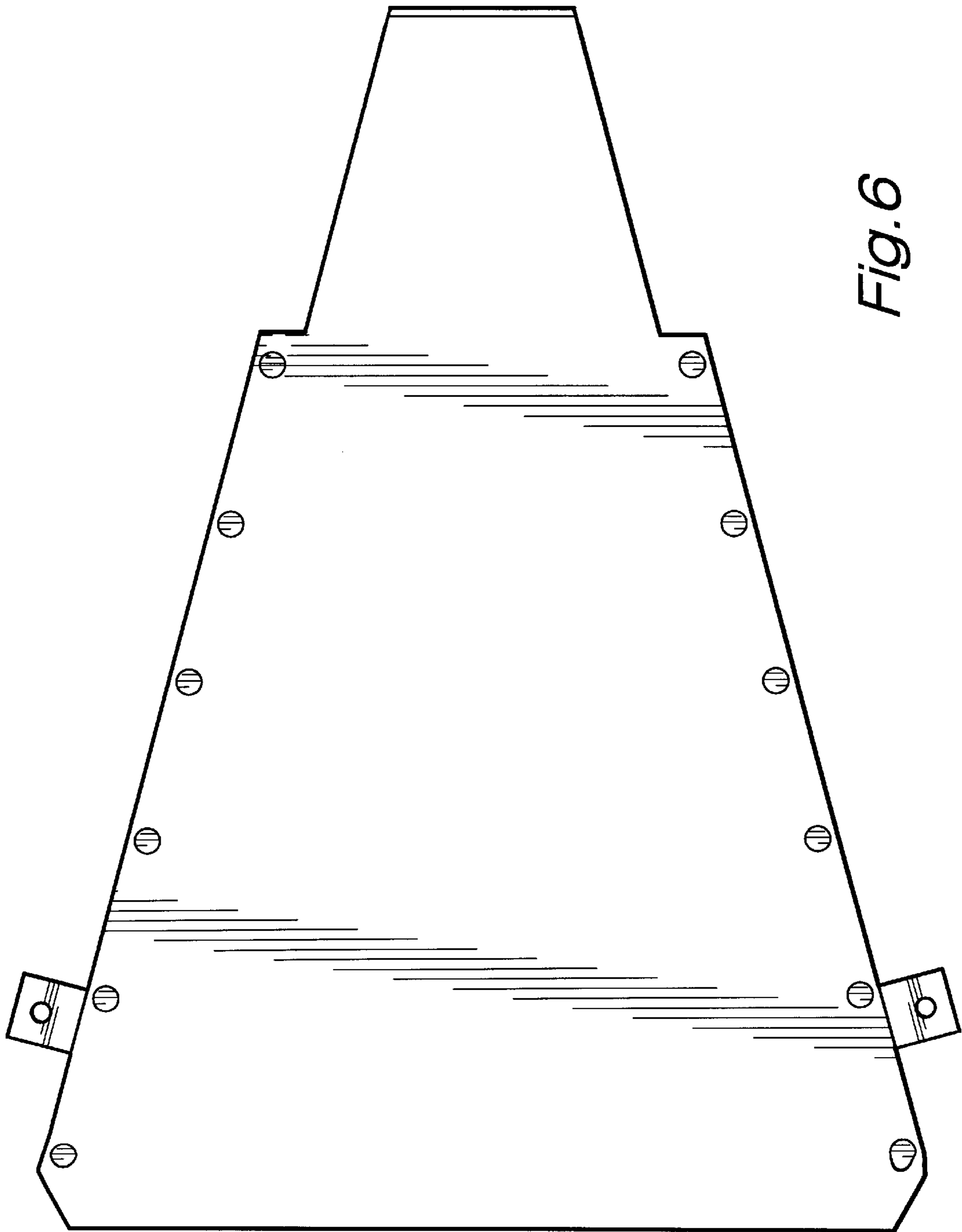


Fig. 6