



US00D417498S

United States Patent [19] Meyer

[11] Patent Number: **Des. 417,498**

[45] Date of Patent: **** Dec. 7, 1999**

[54] **EXHAUST CONDUIT CONNECTOR WITH ABUTMENT EXTENSION**

[75] Inventor: **Stephen T. Meyer**, Indianapolis, Ind.

[73] Assignee: **Deflecto Corporation**, Indianapolis, Ind.

[**] Term: **14 Years**

[21] Appl. No.: **29/090,534**

[22] Filed: **Jul. 10, 1998**

Related U.S. Application Data

[63] Continuation of application No. 08/697,370, Aug. 23, 1996, abandoned.

[51] **LOC (6) Cl.** **12-16**

[52] **U.S. Cl.** **D23/393; D23/386**

[58] **Field of Search** 403/299, 304, 403/305, 310, 43, 48, DIG. 7; 285/333, 383, 390; 34/235; D23/386, 366-268, 393

[56] References Cited

U.S. PATENT DOCUMENTS

1,979,304	11/1934	Anderson	29/148
2,799,721	7/1957	Floyd, Jr.	174/94
2,843,408	7/1958	Stukenborg	287/60
4,061,368	12/1977	Auremma	285/383

4,081,915	4/1978	Materniak nee Babcerowicz et al.	34/235
4,660,860	4/1987	Todd	285/12
4,732,416	3/1988	Dearden et al.	285/333
4,830,409	5/1989	Freeman	285/104
5,015,019	5/1991	Geary	285/333
5,066,050	11/1991	Kretchman	285/319
5,078,432	1/1992	Seiter	285/137.1
5,199,190	4/1993	Mayer et al.	34/235
5,263,748	11/1993	Carstensen	285/333
5,470,111	11/1995	Nelson et al.	285/55

Primary Examiner—Lisa Lichtenstein
Attorney, Agent, or Firm—Woodard, Emhardt, Naughton, Moriarty & McNett Patent and Trademark Attorneys

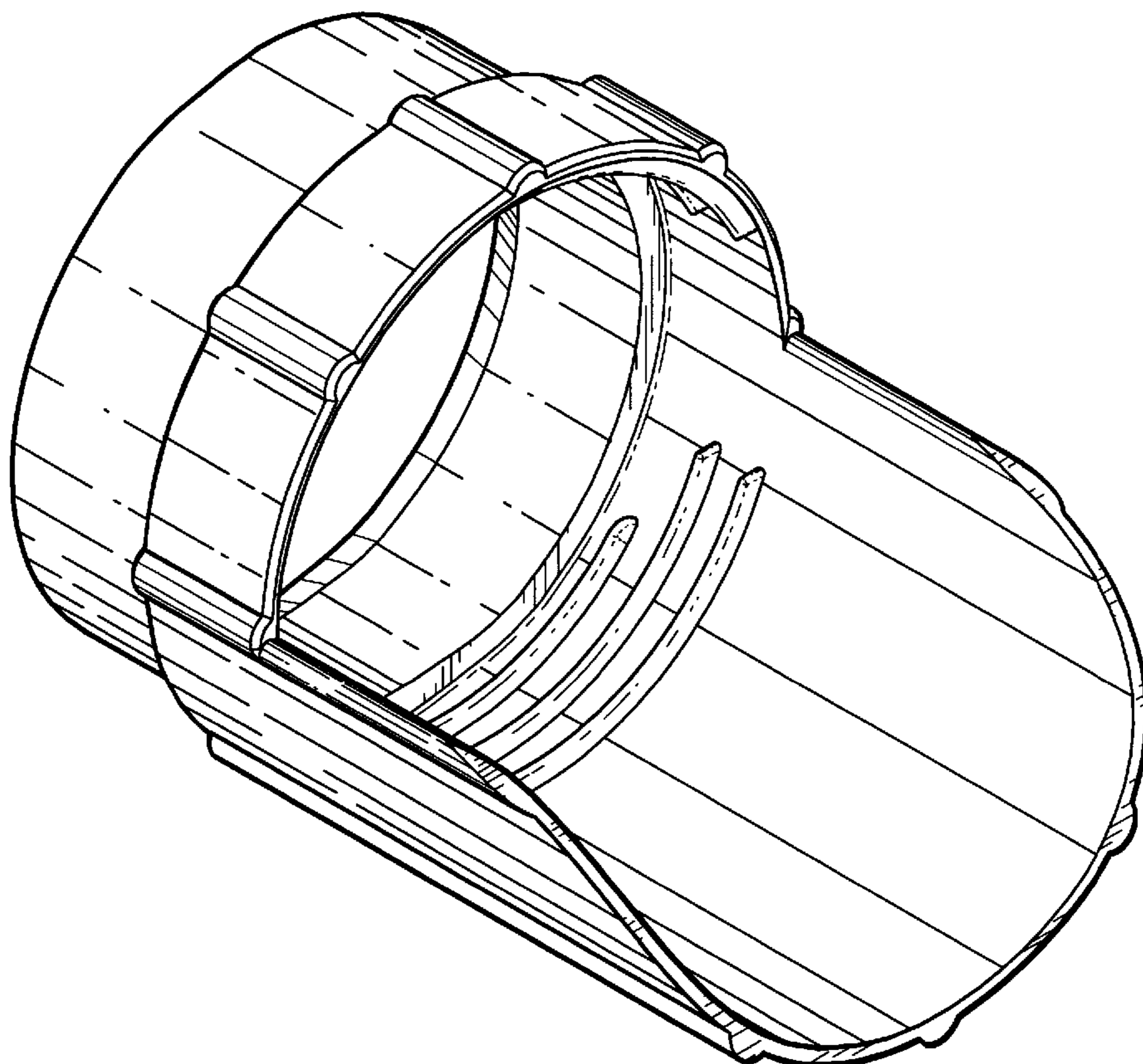
[57] CLAIM

The ornamental design for an exhaust conduit connector with abutment extension, as shown and described.

DESCRIPTION

FIG. 1 is a left side elevational view of an exhaust conduit connector with abutment extension showing my new design, the right side elevational view being a mirror image; FIG. 2 is a top plan view thereof; FIG. 3 is a front elevational view thereof; FIG. 4 is a rear elevational view thereof; FIG. 5 is a bottom plan view thereof; and, FIG. 6 is a perspective view thereof.

1 Claim, 4 Drawing Sheets



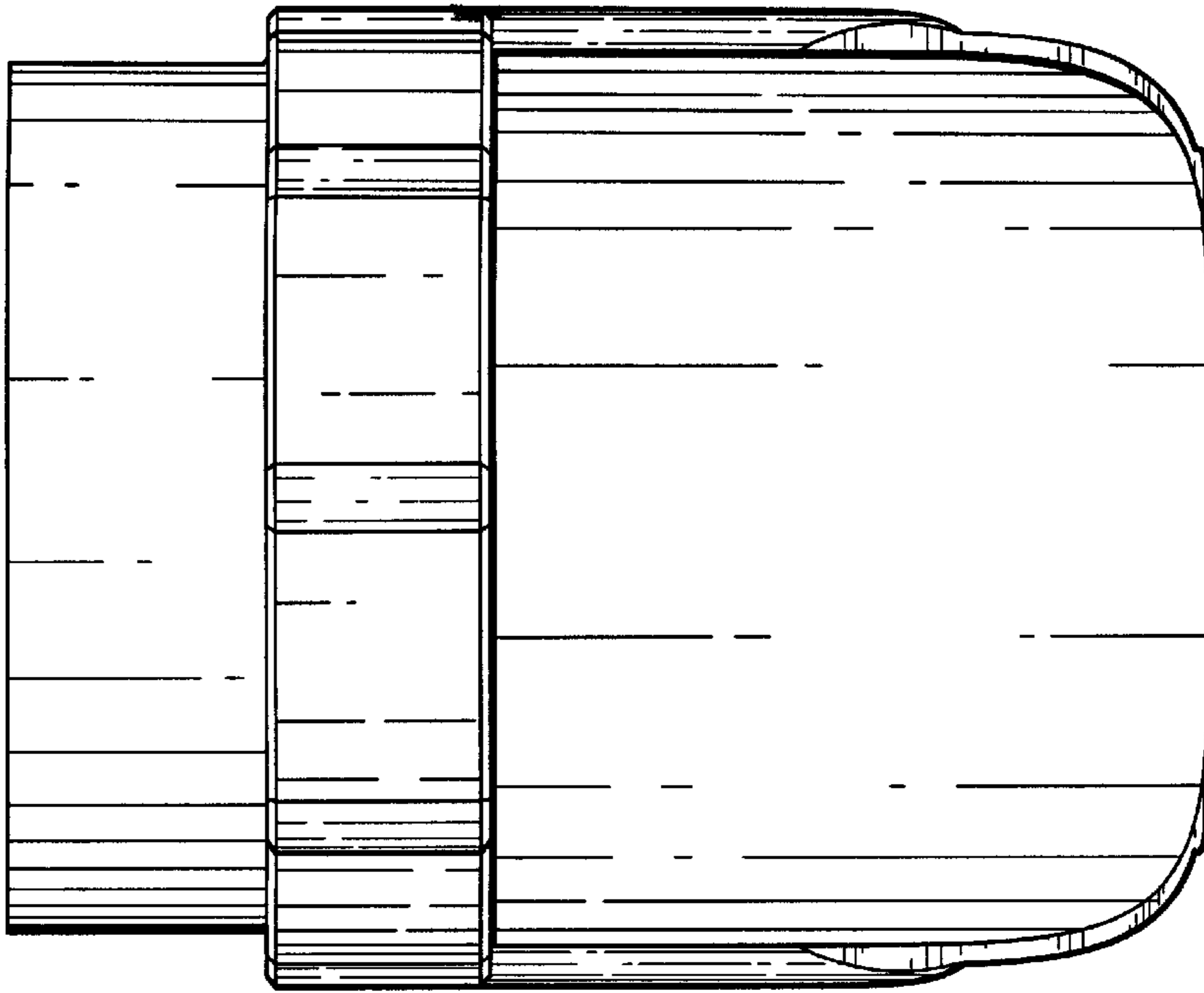


Fig. 2

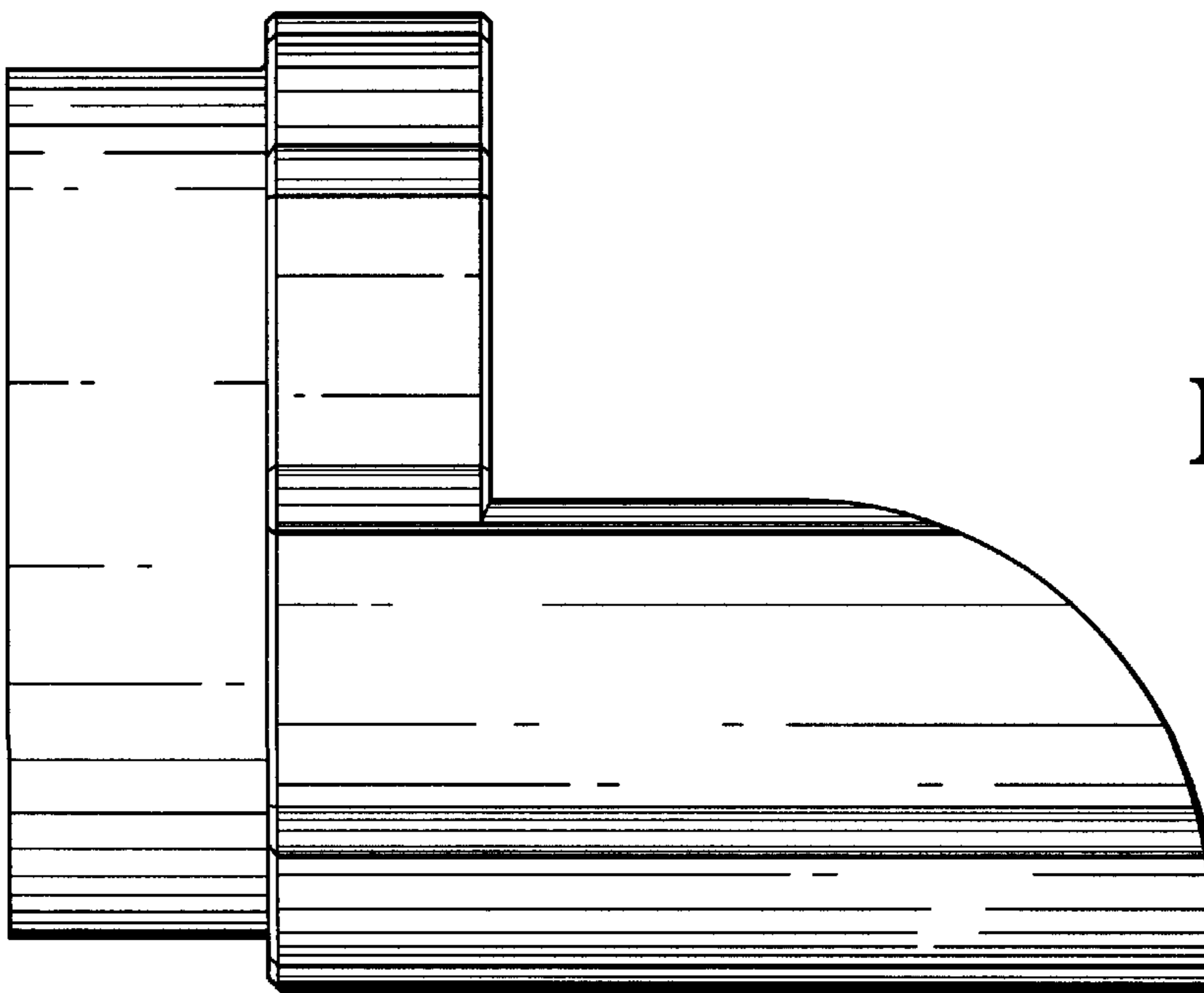


Fig. 1

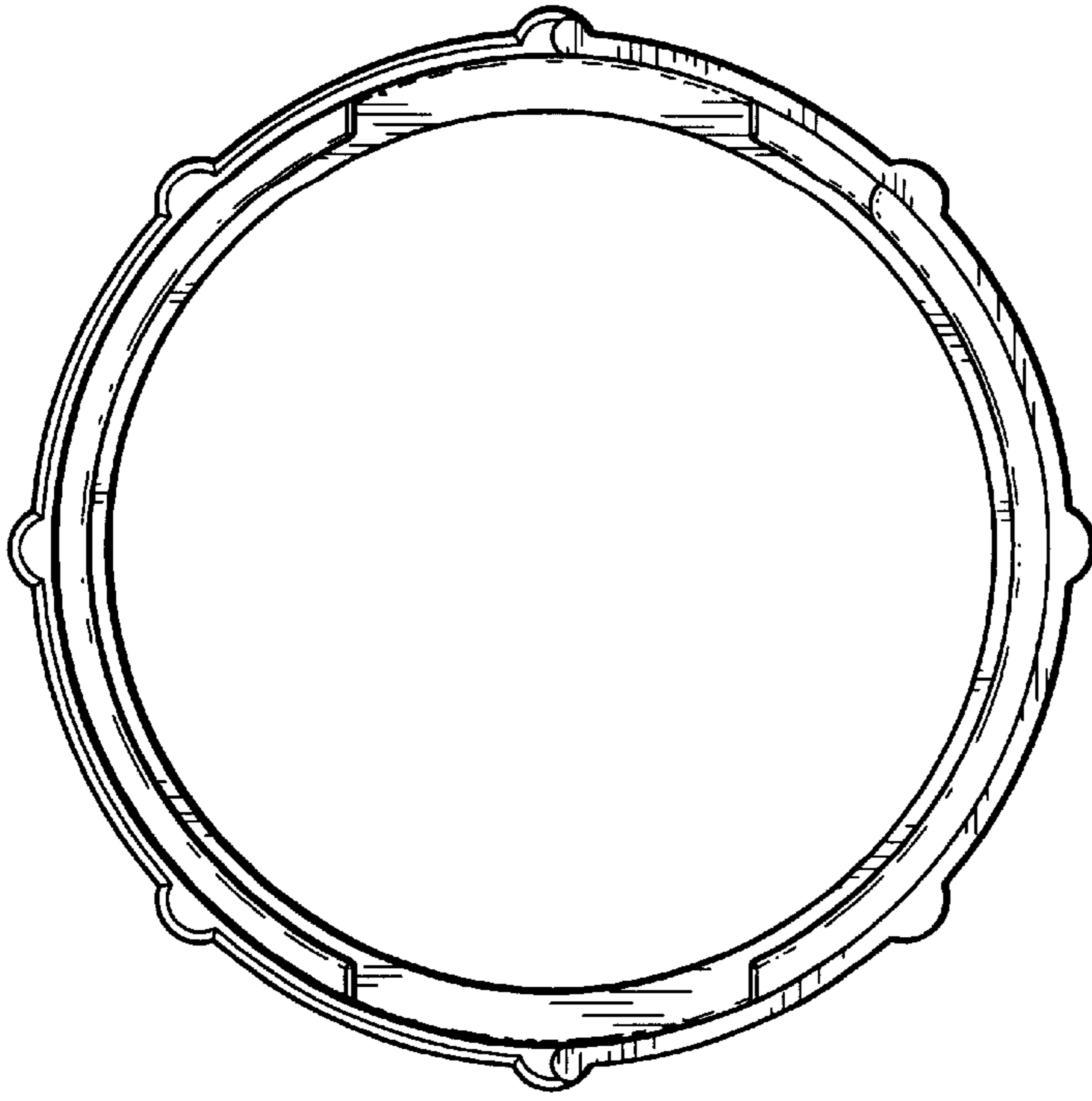


Fig. 3

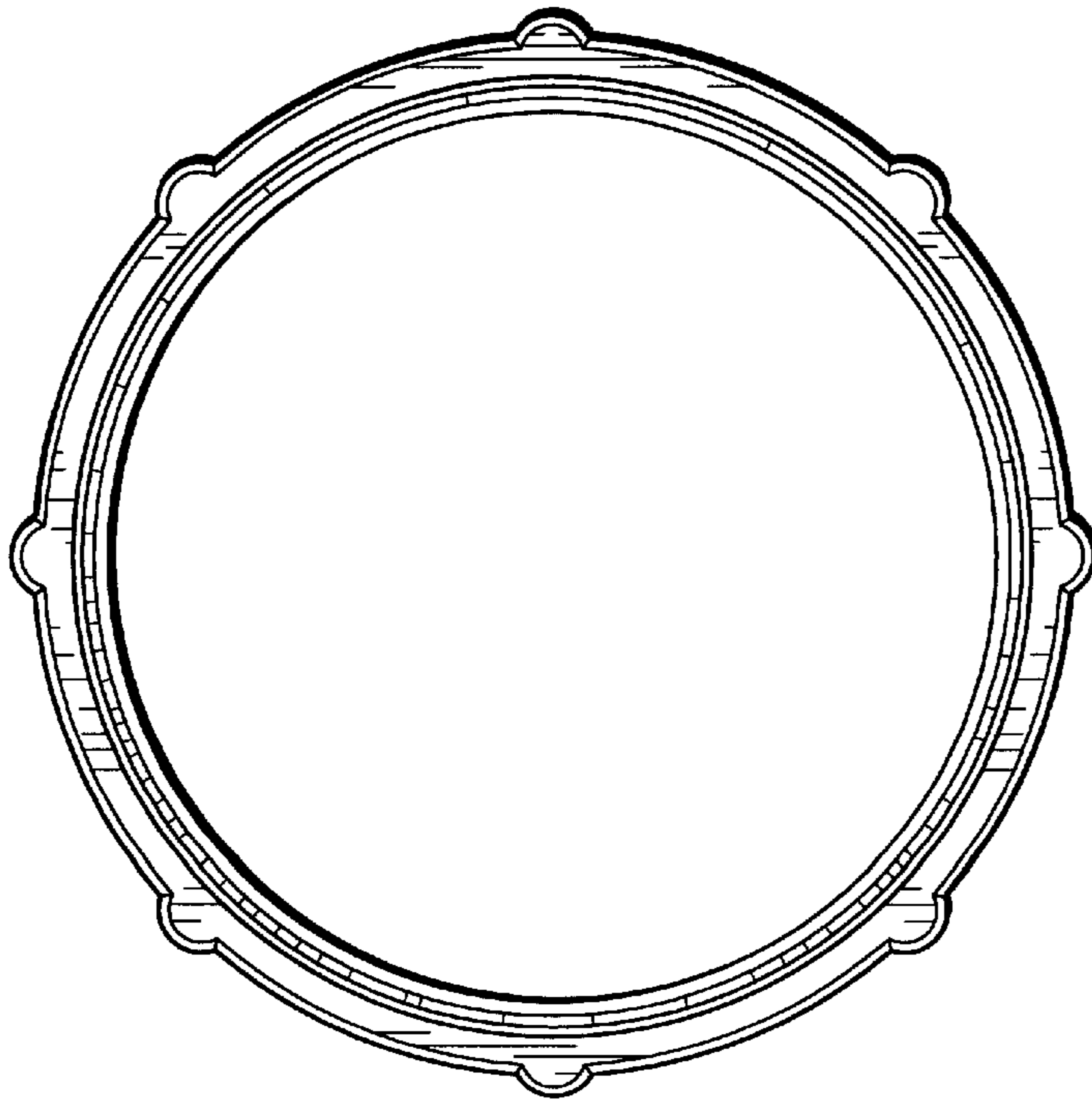


Fig. 4

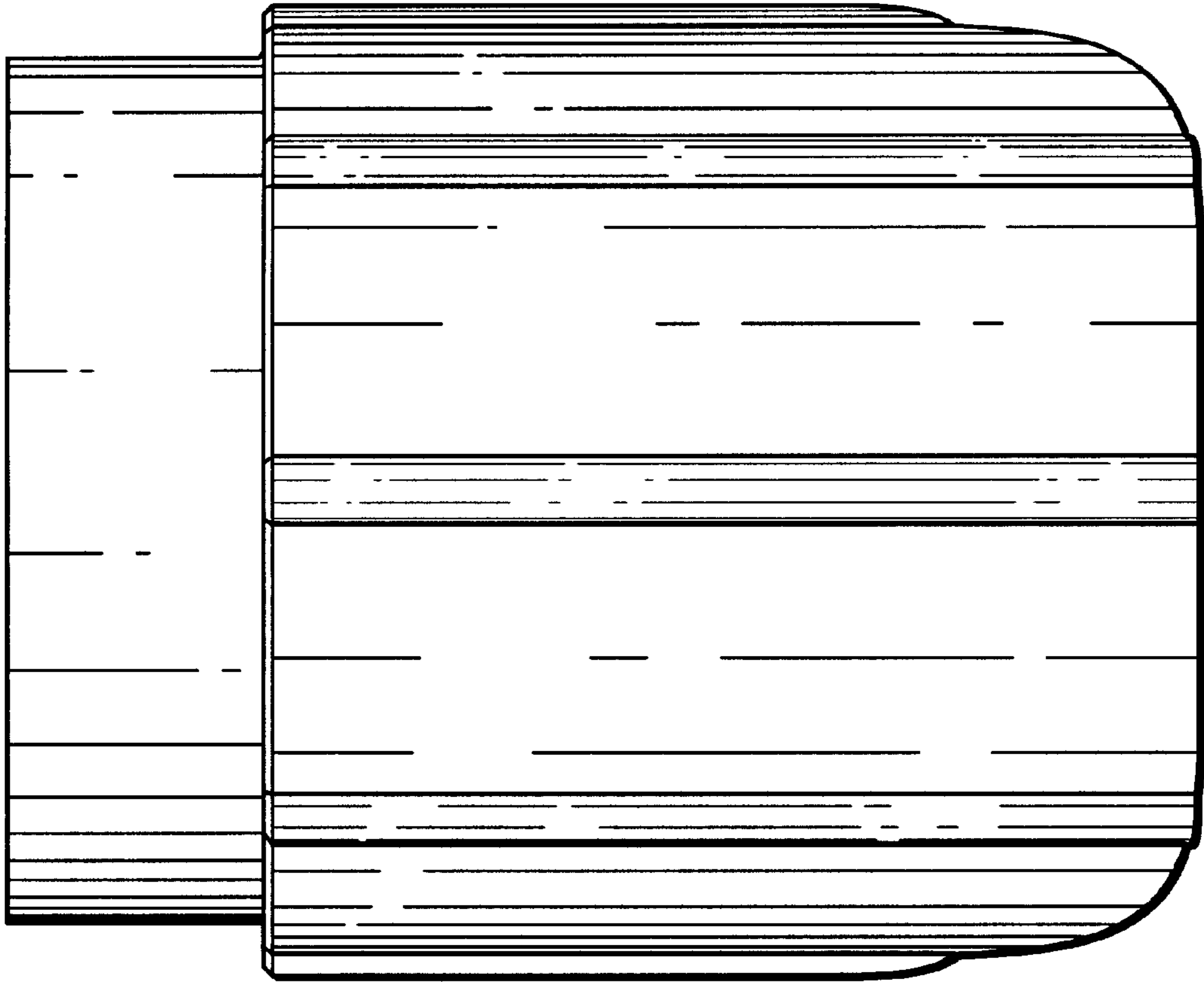


Fig. 5

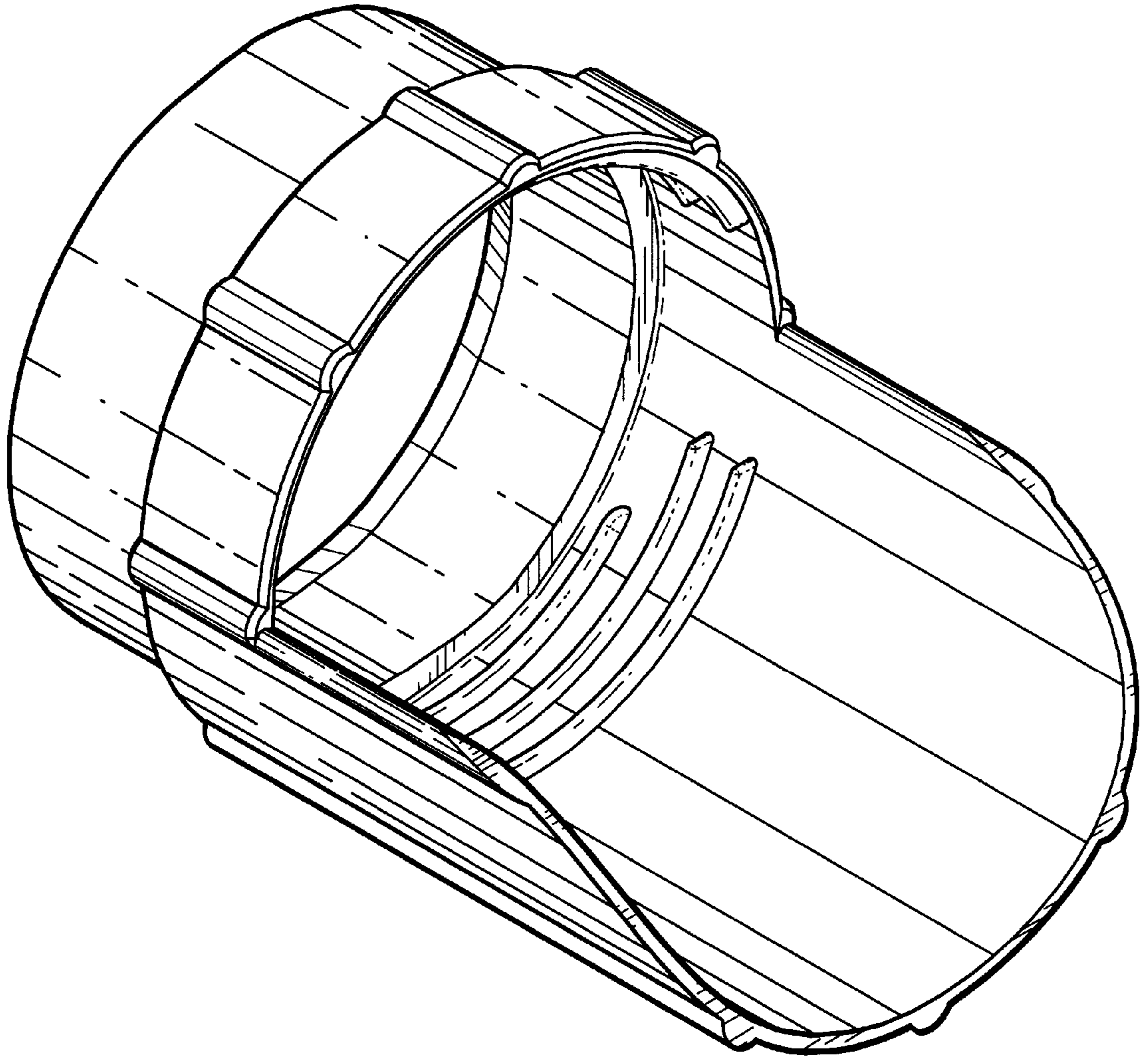


Fig. 6